

[54] FIREPLACE

[75] Inventor: Carl C. Sorensen, Racine, Wis.
[73] Assignee: Sunsor Metal Products, Racine, Wis.
[**] Term: 14 Years
[21] Appl. No.: 405,843
[22] Filed: Sep. 11, 1989
[52] U.S. Cl. D23/348
[58] Field of Search D23/348, 343; 126/519

[56] References Cited

U.S. PATENT DOCUMENTS

D. 192,491	3/1962	Crownover	D23/348
D. 201,266	6/1965	Rose	D23/348
D. 203,909	2/1966	Jonas	D23/348
3,499,432	3/1970	Hannebaum	D23/348
3,777,735	12/1973	Miller	126/519
3,910,251	10/1975	Andrew	D23/343
4,006,733	2/1977	Crownover	D23/343

OTHER PUBLICATIONS

Home Energy Digest Wood Burning Quarterly, Summer/78, p. 25, Koco Fireplace/Stove Combination, bottom right side of page.

House & Garden, 12/69, p. 13, Fireplace, middle of page.

House & Home, 4/57, p. 216, Kosmak Fireplace, (A), lower left side of page.

Primary Examiner—James M. Gandy
Assistant Examiner—Lisa Lichtenstein
Attorney, Agent, or Firm—R. Winston Slater

[57] CLAIM

The ornamental design for a fireplace, as shown and described.

DESCRIPTION

FIG. 1 is a front perspective view of a fireplace showing my new design with the grating in the closed position;

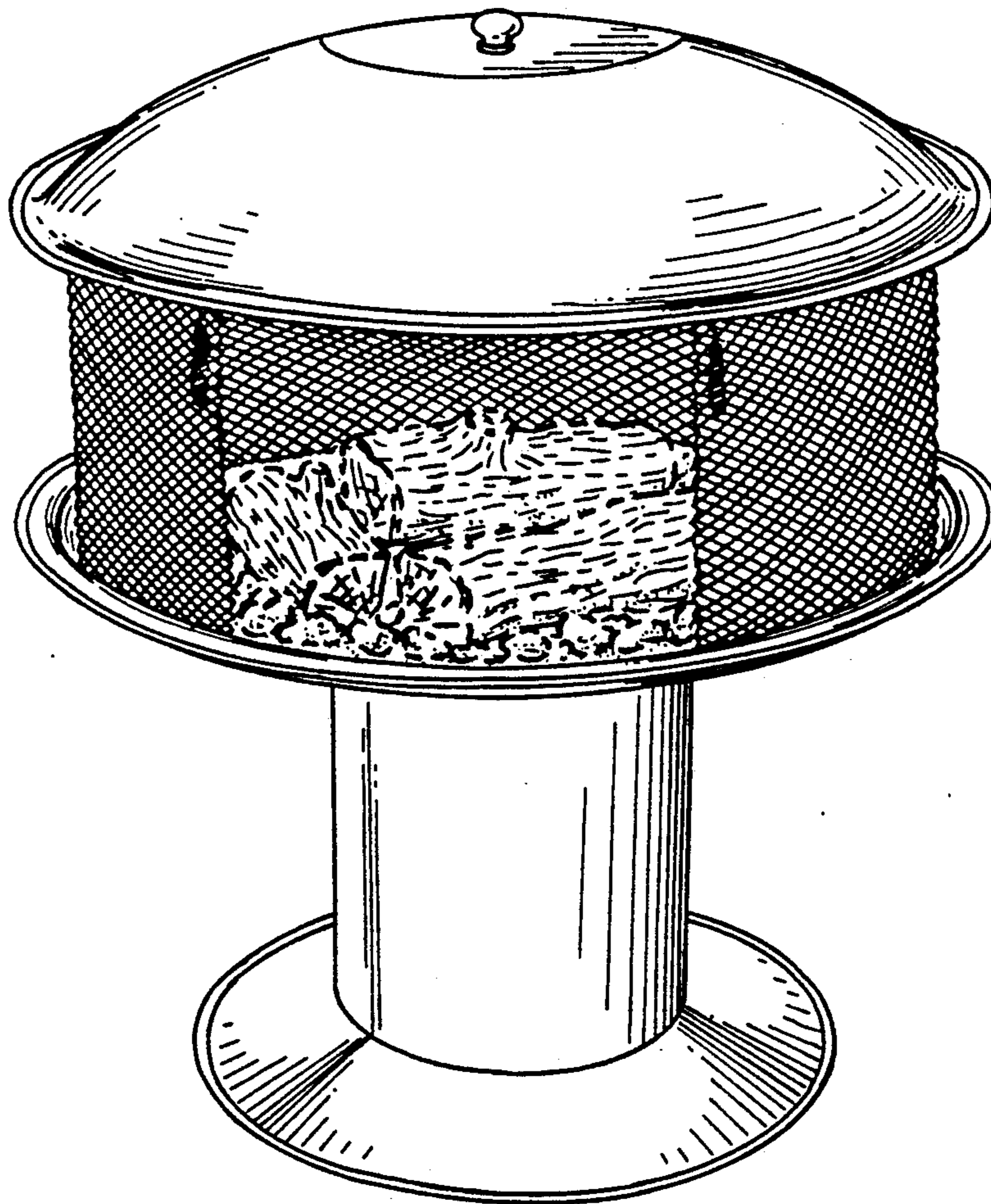
FIG. 2 is a bottom plan view thereof;

FIG. 3 is a rear elevation view thereof;

FIG. 4 is a right side elevation view thereof, the left side being a mirror image of that shown; and

FIG. 5 is a front perspective view of a fireplace with the grating in the open position.

The broken line showing of environmental structure in FIG. 5 is for illustrative purposes only, and forms no part of the claimed design.



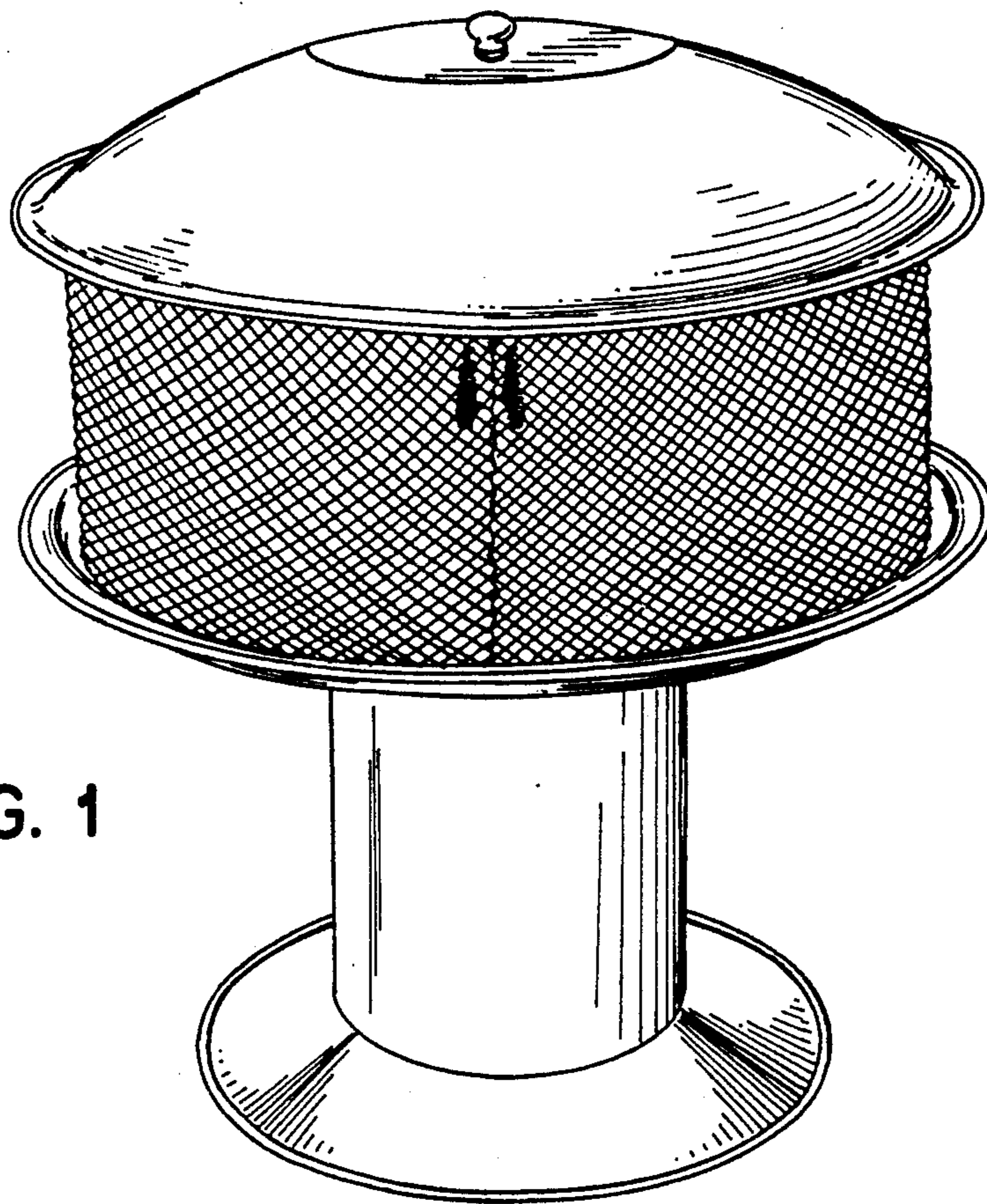


FIG. 1

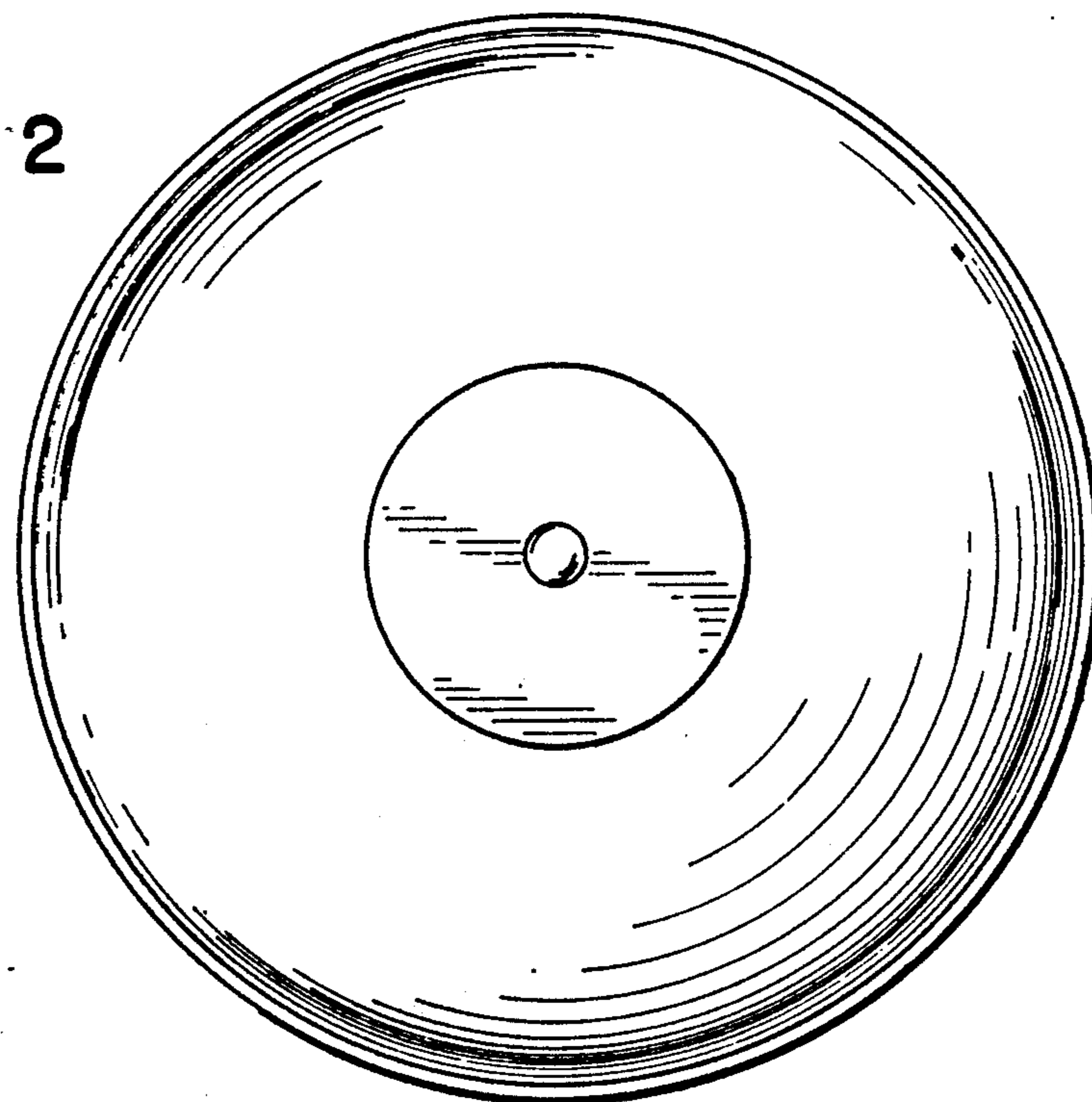


FIG. 2

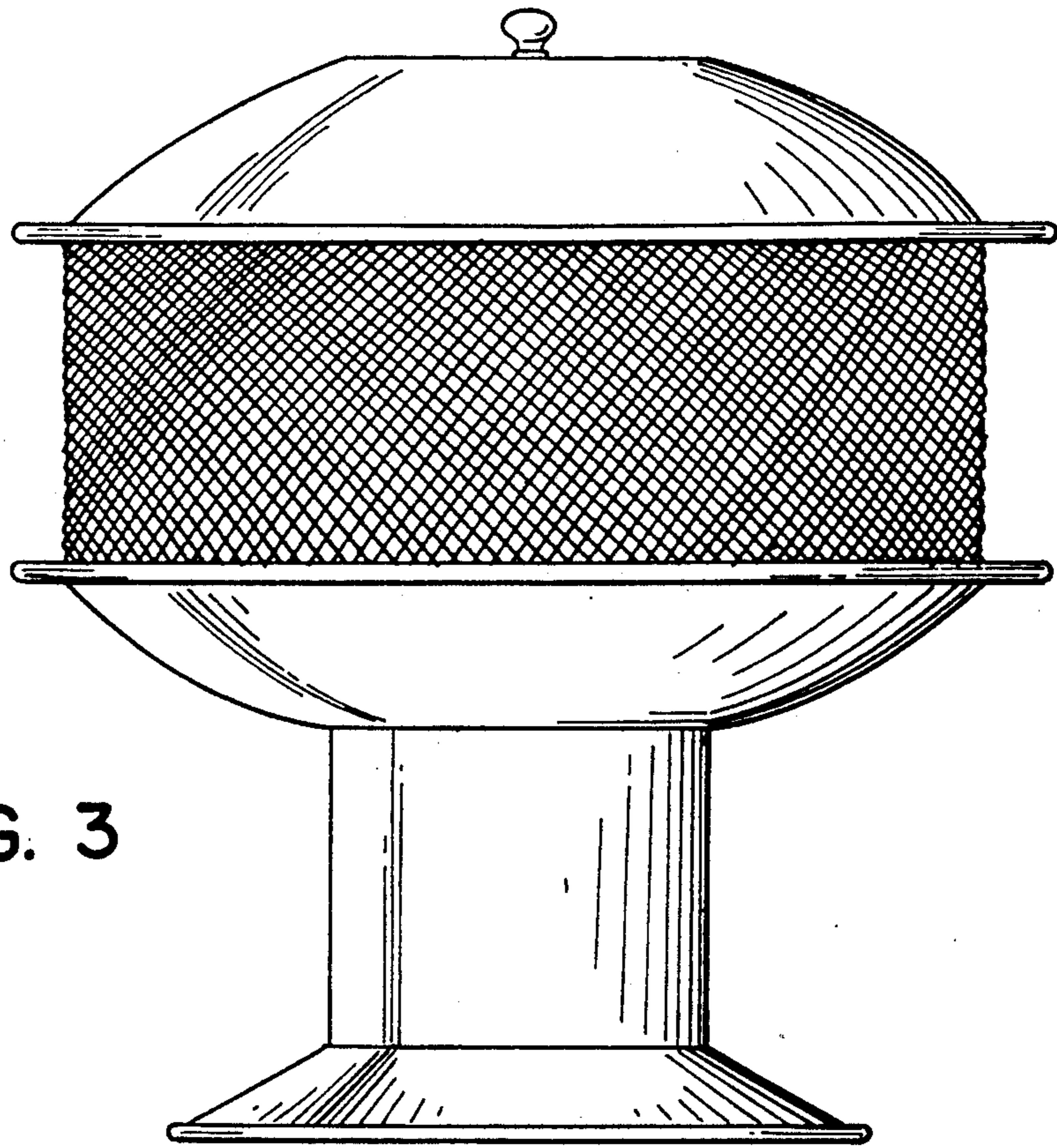


FIG. 3

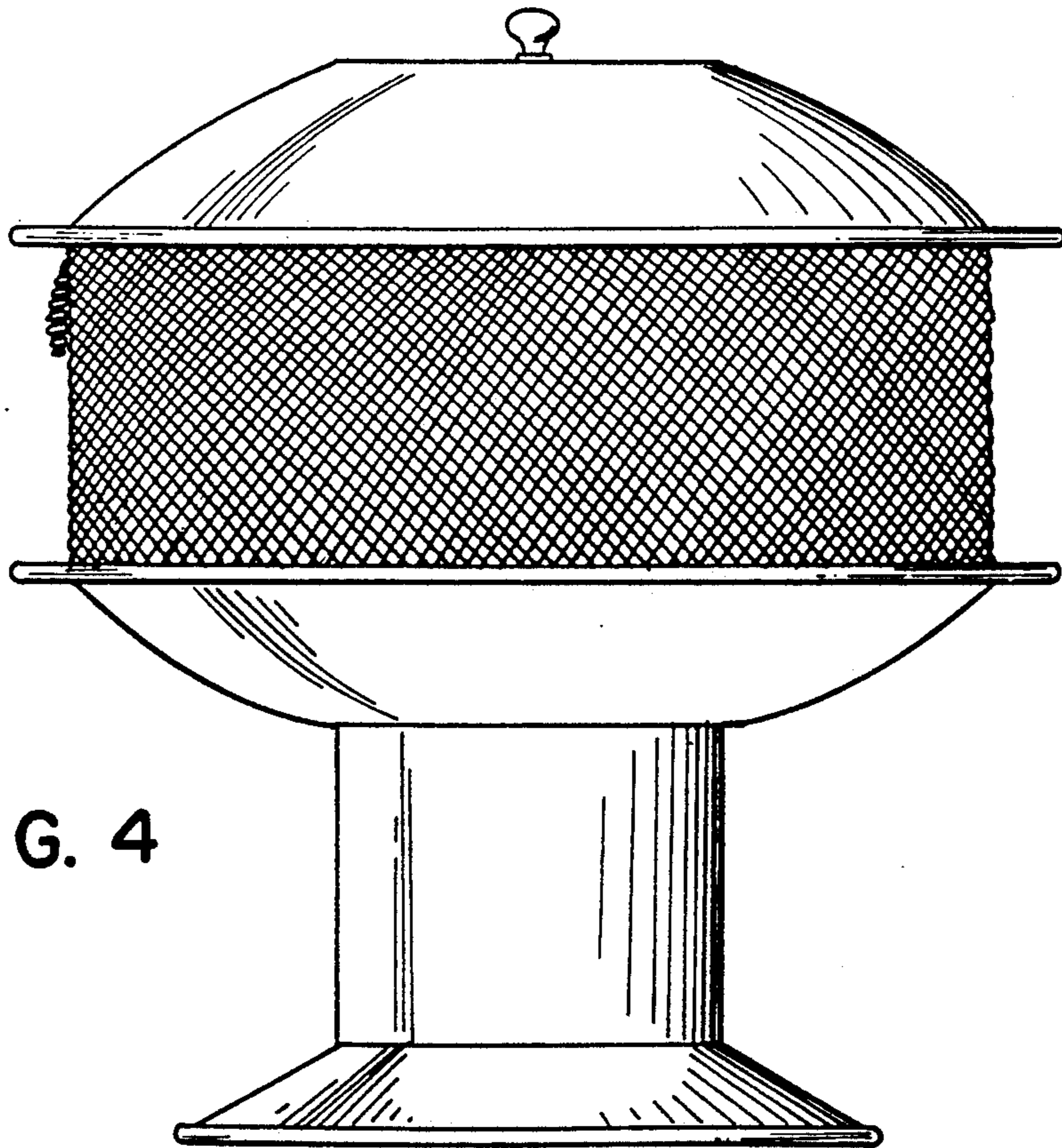


FIG. 4

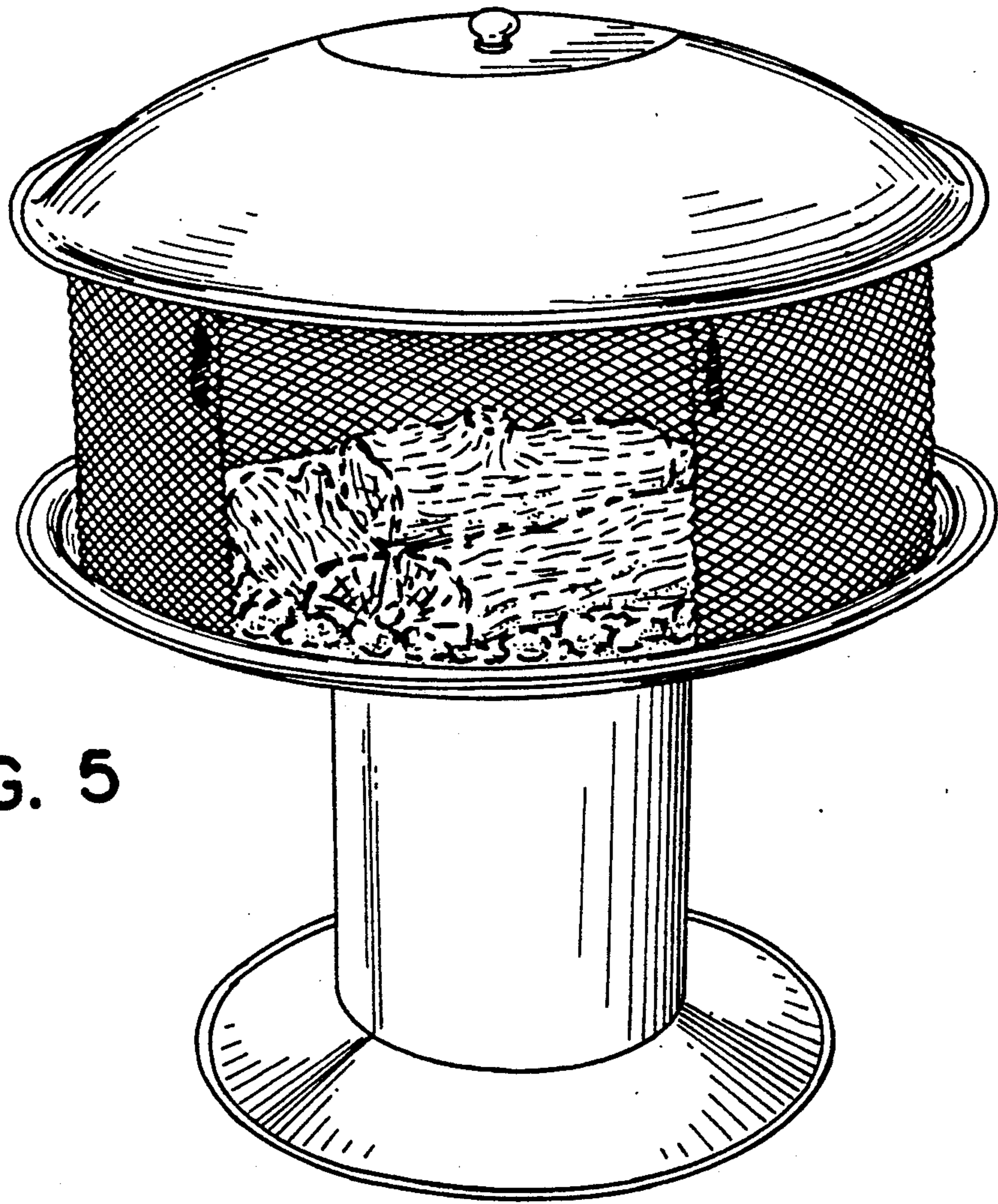


FIG. 5