

[54] ELECTRIC FORCED AIR OR GAS HEATER

[75] Inventors: Jonathan B. Arold, Exeter; Joan L. Mishou, Portsmouth; Edward A. Webb, Wolfeboro, all of N.H.; Ronald Blaisdell, Saugus, Mass.

[73] Assignee: GTE Products Corporation, Stamford, Conn.

[\*\*] Term: 14 Years

[21] Appl. No.: 506,134

[22] Filed: Apr. 2, 1990

[52] U.S. Cl. .... D23/314

[58] Field of Search ..... D23/332, 326, 336, 386, D23/339, 328, 324, 335, 314; 392/379, 383, 374

[56] References Cited

U.S. PATENT DOCUMENTS

D. 26,181 10/1896 Dixon ..... D23/386  
D. 276,840 12/1984 Church ..... D23/336

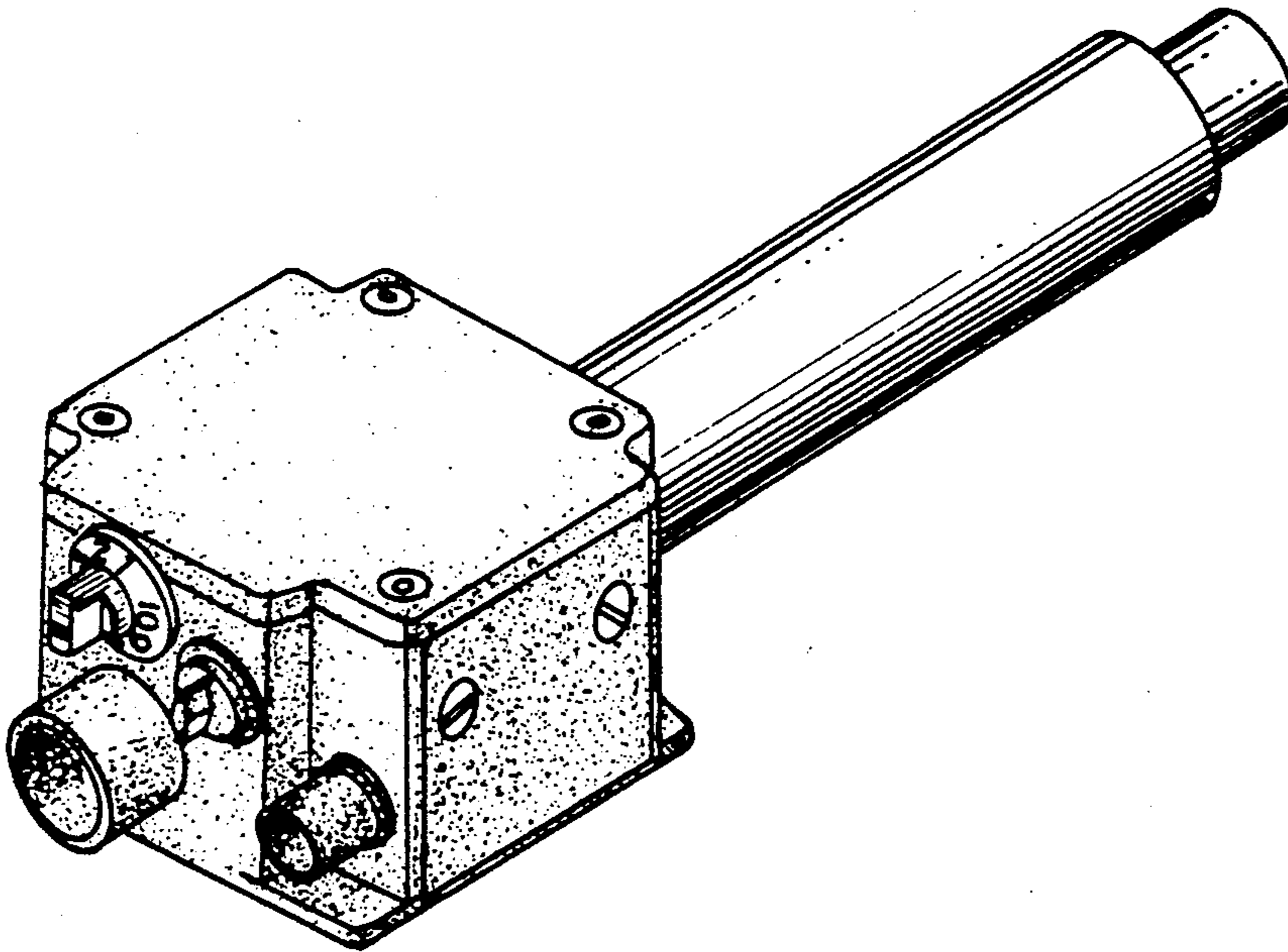
Primary Examiner—James M. Gandy  
Assistant Examiner—Lisa Lichtenstein  
Attorney, Agent, or Firm—James Theodosopoulos

[57] CLAIM

The ornamental design for an electric forced air or gas heater, as shown.

DESCRIPTION

FIG. 1 is a rear perspective view of an electric forced air or gas heater showing our new design; FIG. 2 is an enlarged front end elevation view thereof; FIG. 3 is an enlarged rear end elevation view thereof; FIG. 4 is an enlarged top plan view thereof; and FIG. 5 is an enlarged bottom plan view thereof.



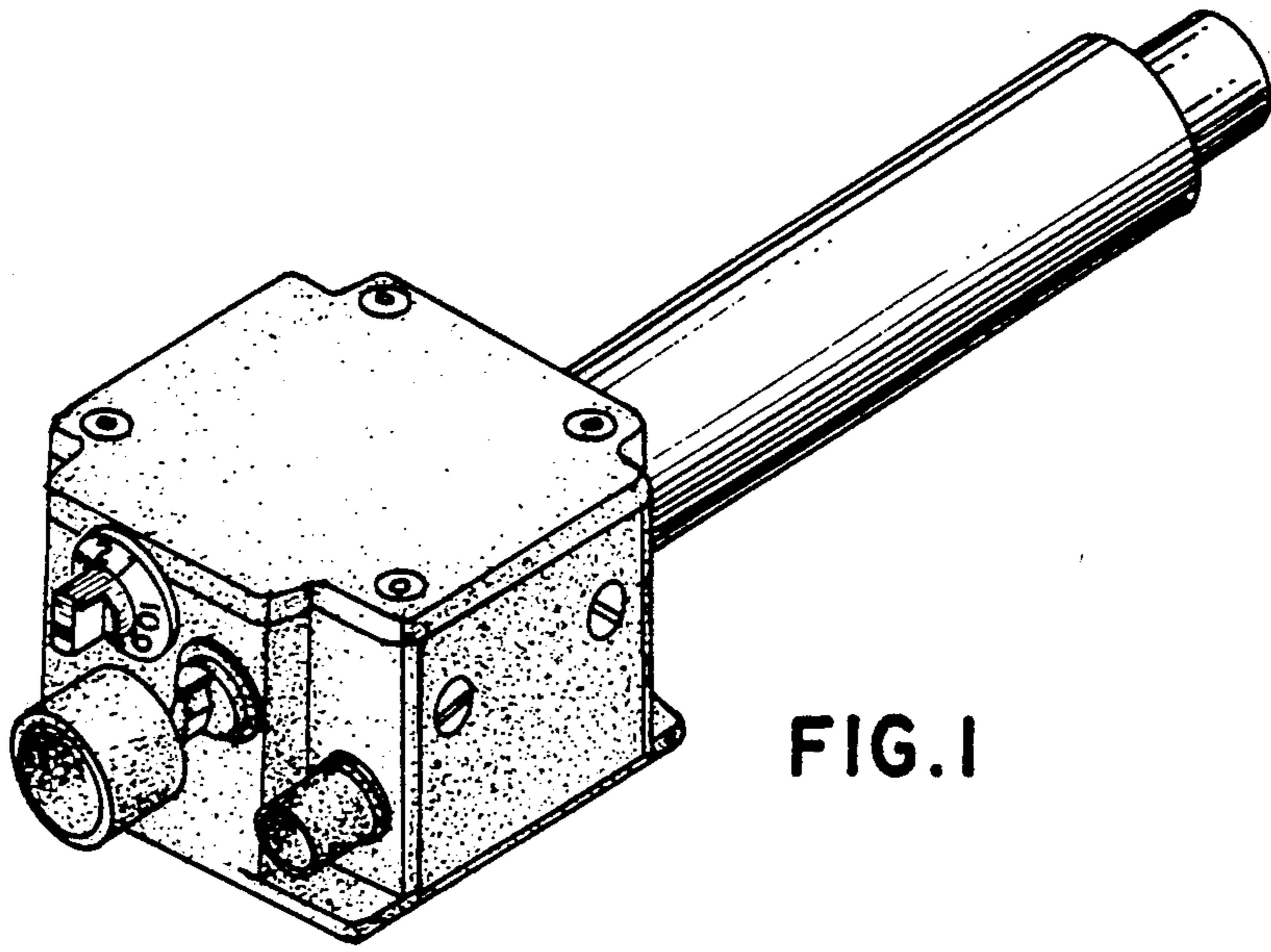


FIG. 1

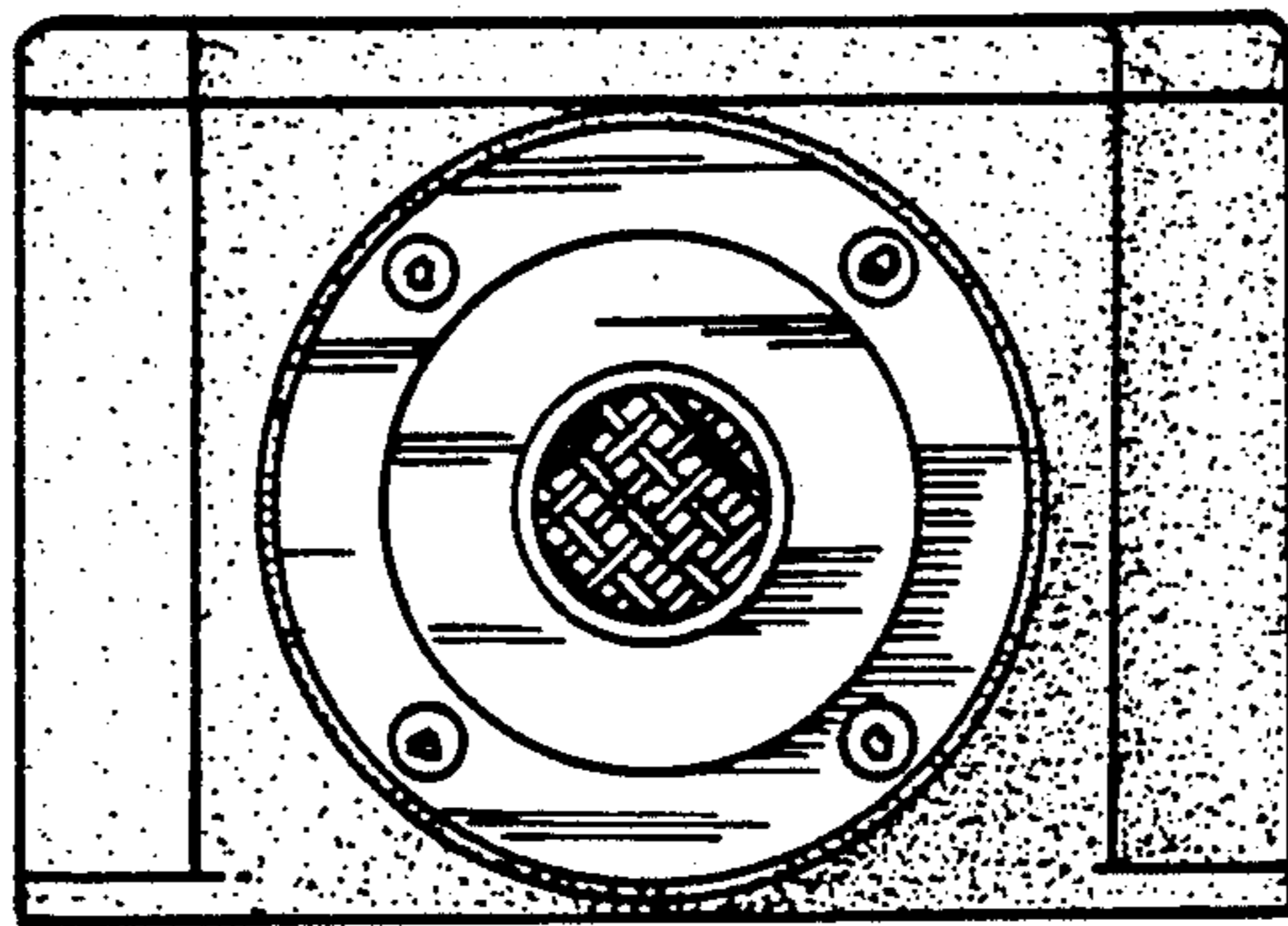


FIG. 2

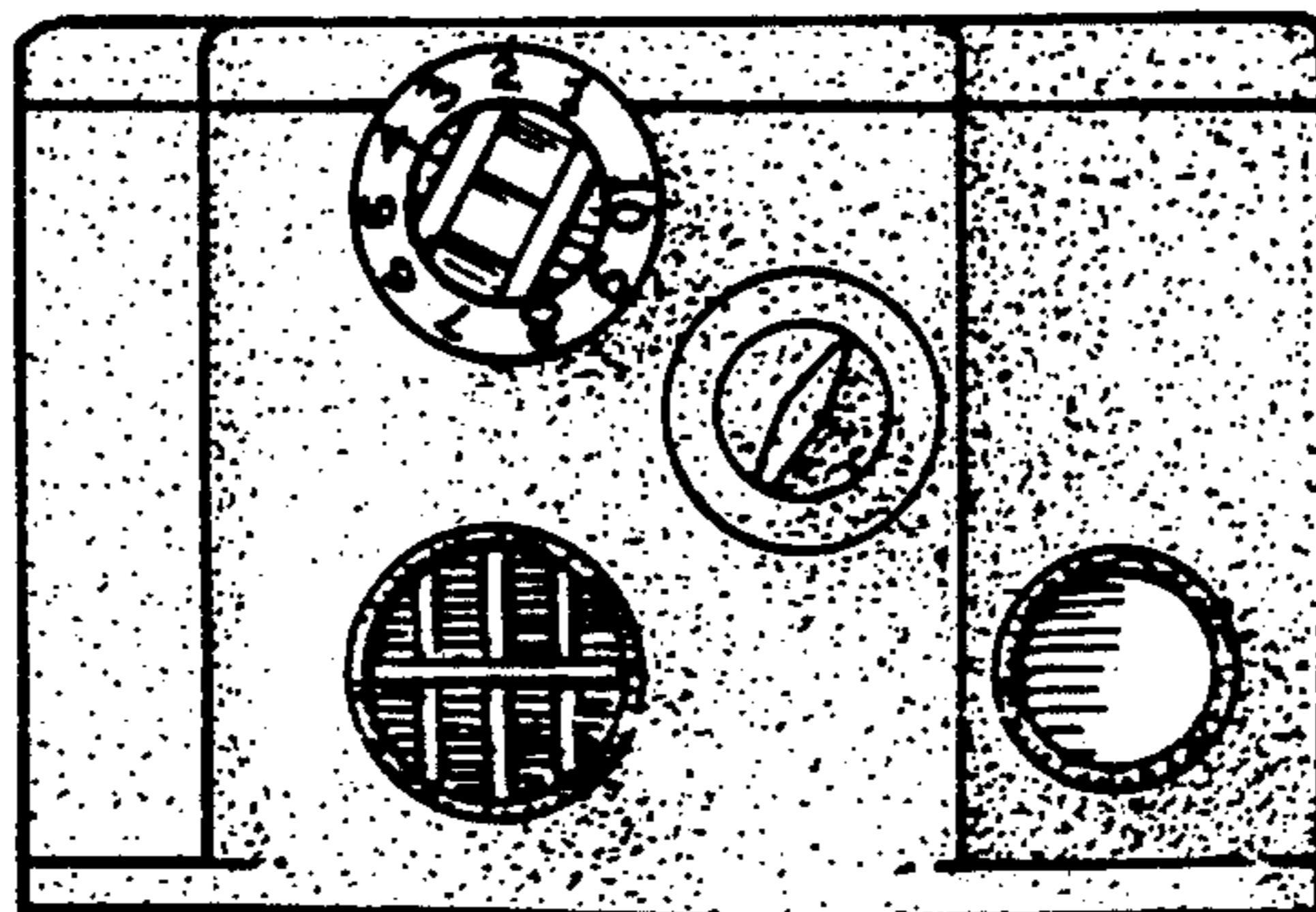


FIG. 3

