

[54] GUTTER SEWER CAP

2,476,621 7/1949 Okress ..... 285/416  
4,112,979 9/1978 Widdicombe ..... 285/901

[76] Inventor: Frank Wigle, 76 University West,  
Windsor, Ontario, Canada, N9A 5N7

Primary Examiner—Louis S. Zarfes  
Assistant Examiner—Demetrius Reynolds  
Attorney, Agent, or Firm—Brooks & Kushman

[\*\*] Term: 14 Years

[21] Appl. No.: 65,702

[57] CLAIM

[22] Filed: Jun. 23, 1987

The ornamental design for a gutter sewer cap, as shown and described.

[52] U.S. Cl. .... D23/262

[58] Field of Search ..... 138/89, 96 R; 285/41,  
285/901, 902, 416, 177, 176, 266; 210/445;  
52/11-17; D23/261-262; 220/356, -276, 266

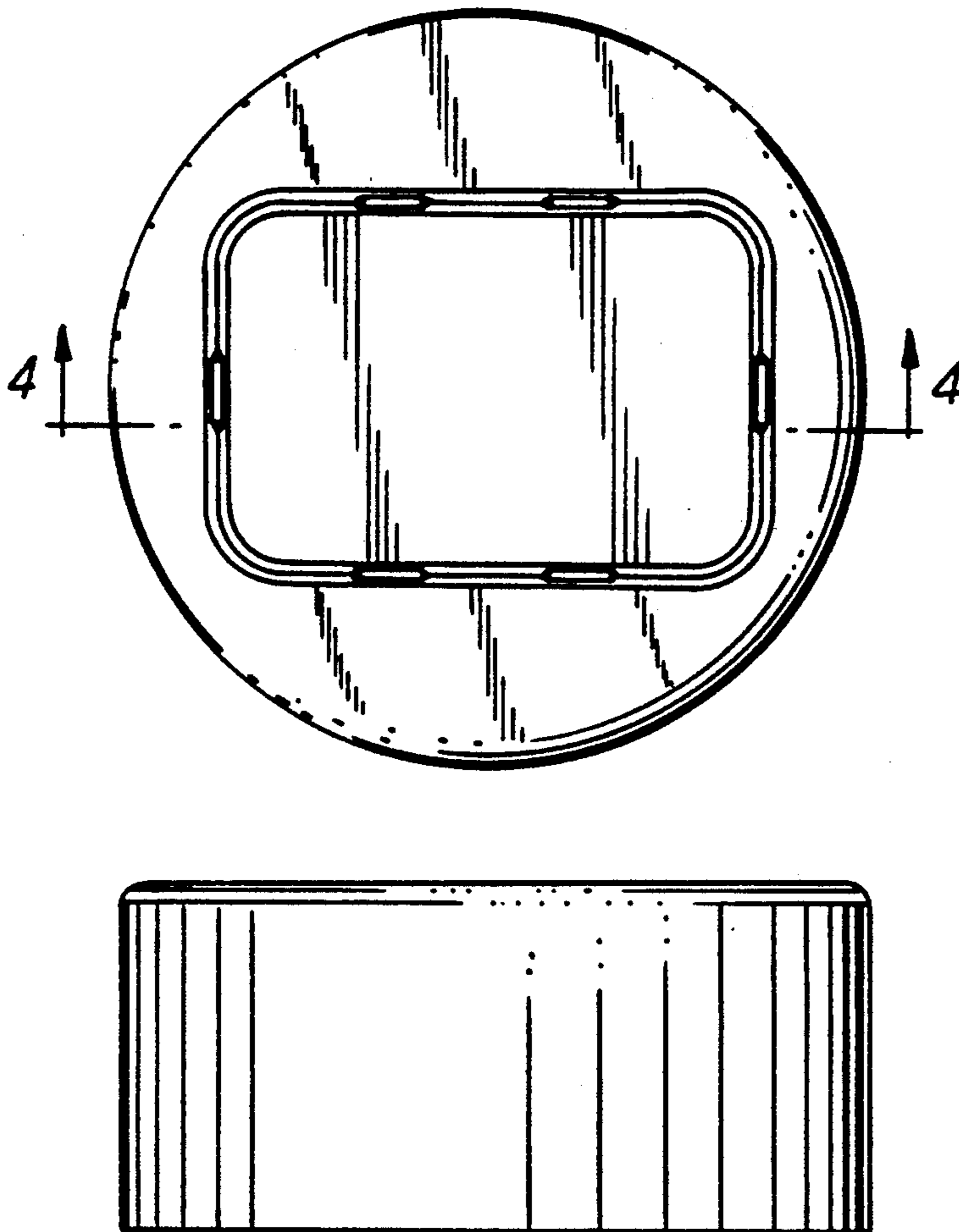
DESCRIPTION

[56] References Cited

FIG. 1 is a top plan view of a gutter sewer cap showing my new design;  
FIG. 2 is a side elevational view thereof;  
FIG. 3 is a bottom plan view thereof; and  
FIG. 4 is a cross-sectional view taken along line 4—4 of FIG. 1.

U.S. PATENT DOCUMENTS

D. 234,596 3/1975 Sixt ..... D23/262



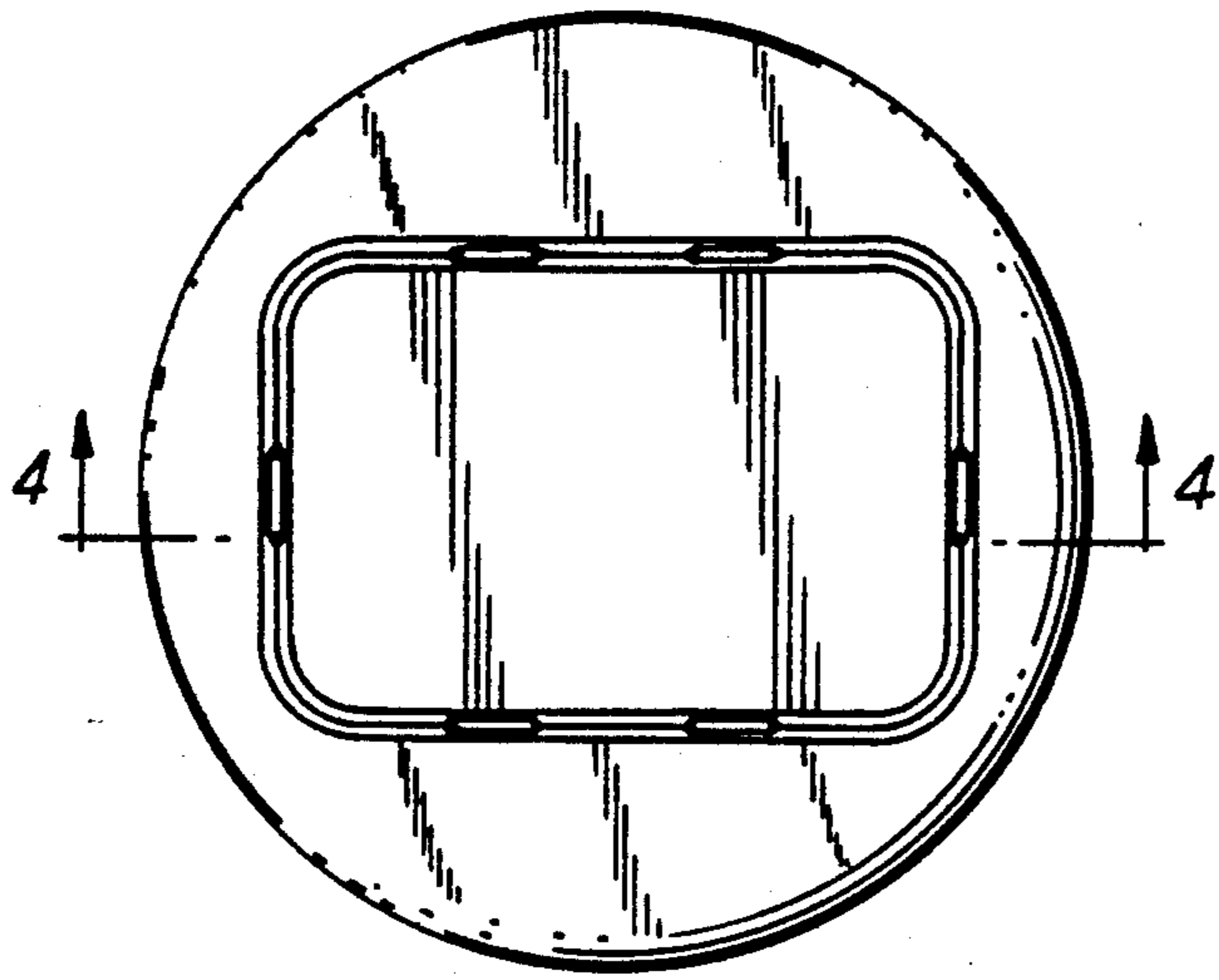


FIG. 1

FIG. 2

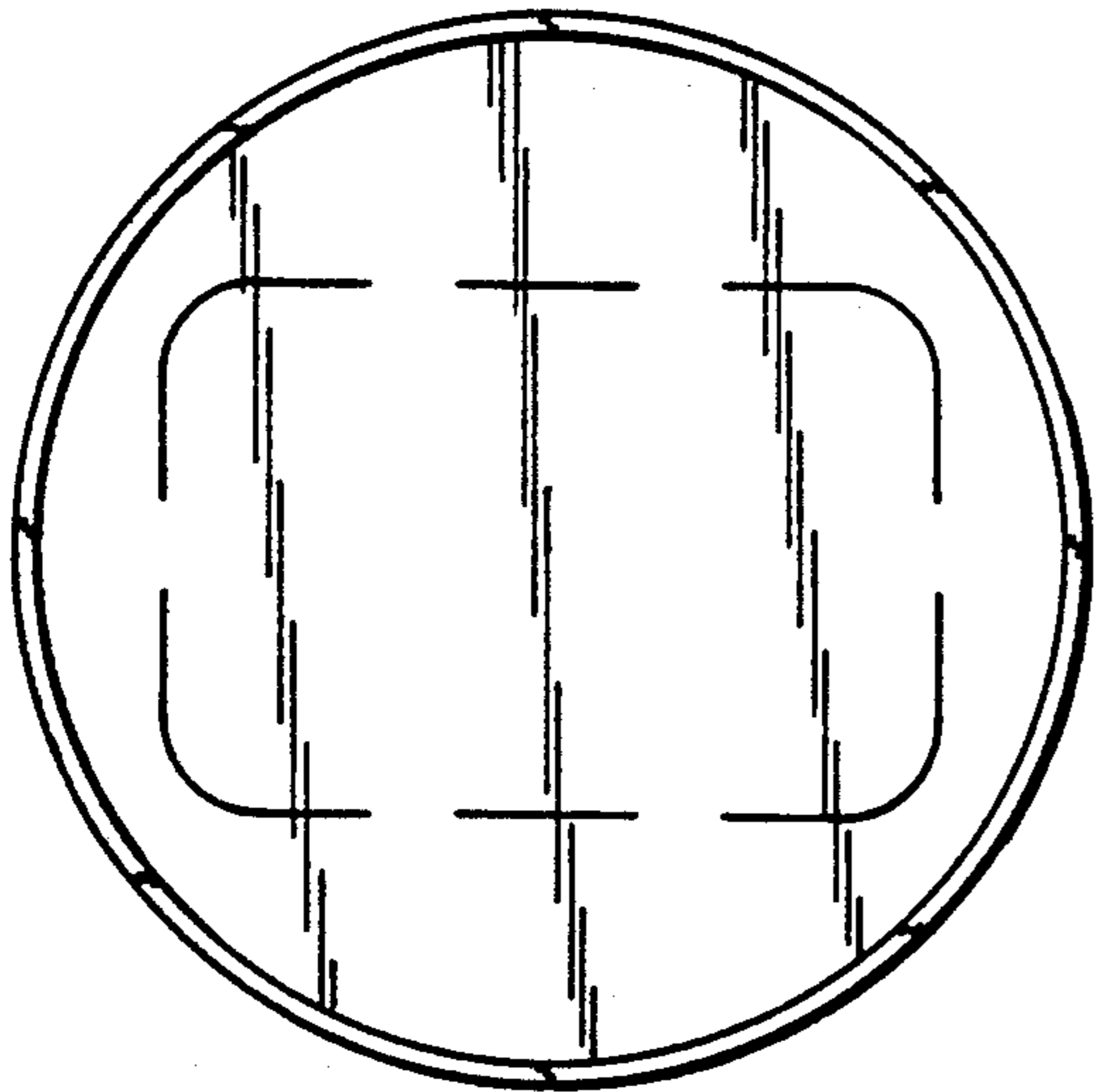
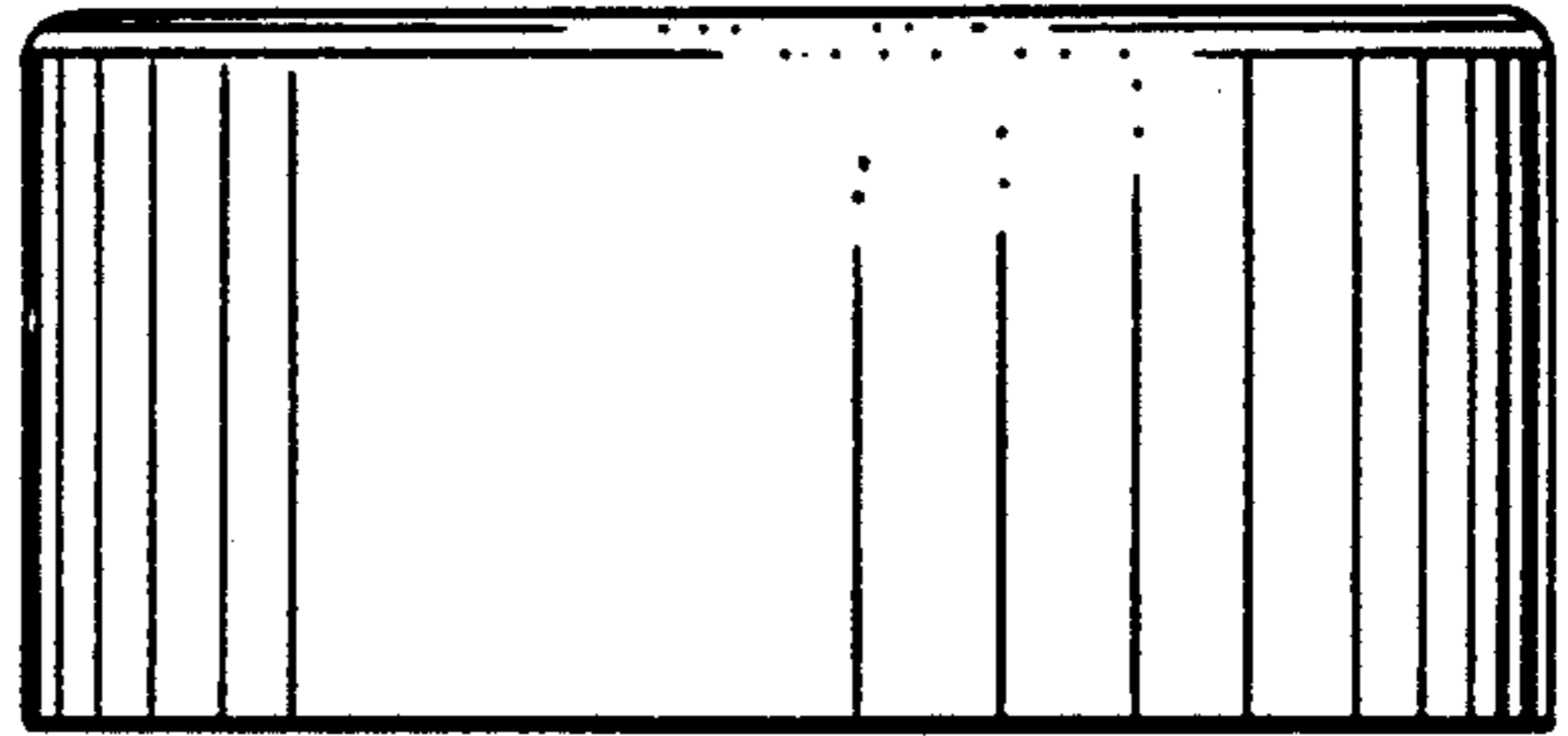


FIG. 3

FIG. 4

