

[54] FAUCET

[75] Inventor: Renato Zerlia, Borgomanero, Italy

[73] Assignee: Italiana Rubinetterie Pagliartini S.r.l., Novara, Italy

[\*\*] Term: 14 Years

[21] Appl. No.: 223,859

[22] Filed: Jul. 25, 1988

[30] Foreign Application Priority Data

Jan. 25, 1988 [IT] Italy ..... 20504/88[U]

[52] U.S. Cl. .... D23/241

[58] Field of Search ..... D23/238-243, D23/250-257; 4/191, 192; 137/801

[56] References Cited

U.S. PATENT DOCUMENTS

- D. 67,520 6/1925 Harper ..... D23/243
- D. 83,674 3/1931 Fraser ..... D23/240
- D. 96,625 8/1935 Rabinovitz ..... D23/240
- D. 114,200 4/1939 Sedlon et al. .... D23/238

- D. 141,718 6/1945 Blank ..... D23/240
- D. 144,249 3/1946 Hinderer ..... D23/243
- D. 149,388 4/1948 Stratmore ..... D23/240
- D. 233,236 10/1974 Arbon ..... D23/238
- D. 242,454 11/1976 Jones ..... D23/241
- D. 268,949 5/1983 Delepine ..... D23/255
- D. 290,159 6/1987 Jans ..... D23/242

Primary Examiner—James R. Largen  
Attorney, Agent, or Firm—Sughrue, Mion, Zinn  
Macpeak & Seas

[57] CLAIM

The ornamental design for a faucet, as shown and described.

DESCRIPTION

FIG. 1 is a perspective view taken from the top, front and left side of a faucet showing my new design; FIG. 2 is a front elevational view thereof; FIG. 3 is a top plan view thereof; FIG. 4 is a left side elevational view thereof, the right side being a mirror image of the left side shown; and FIG. 5 is a bottom plan view thereof.

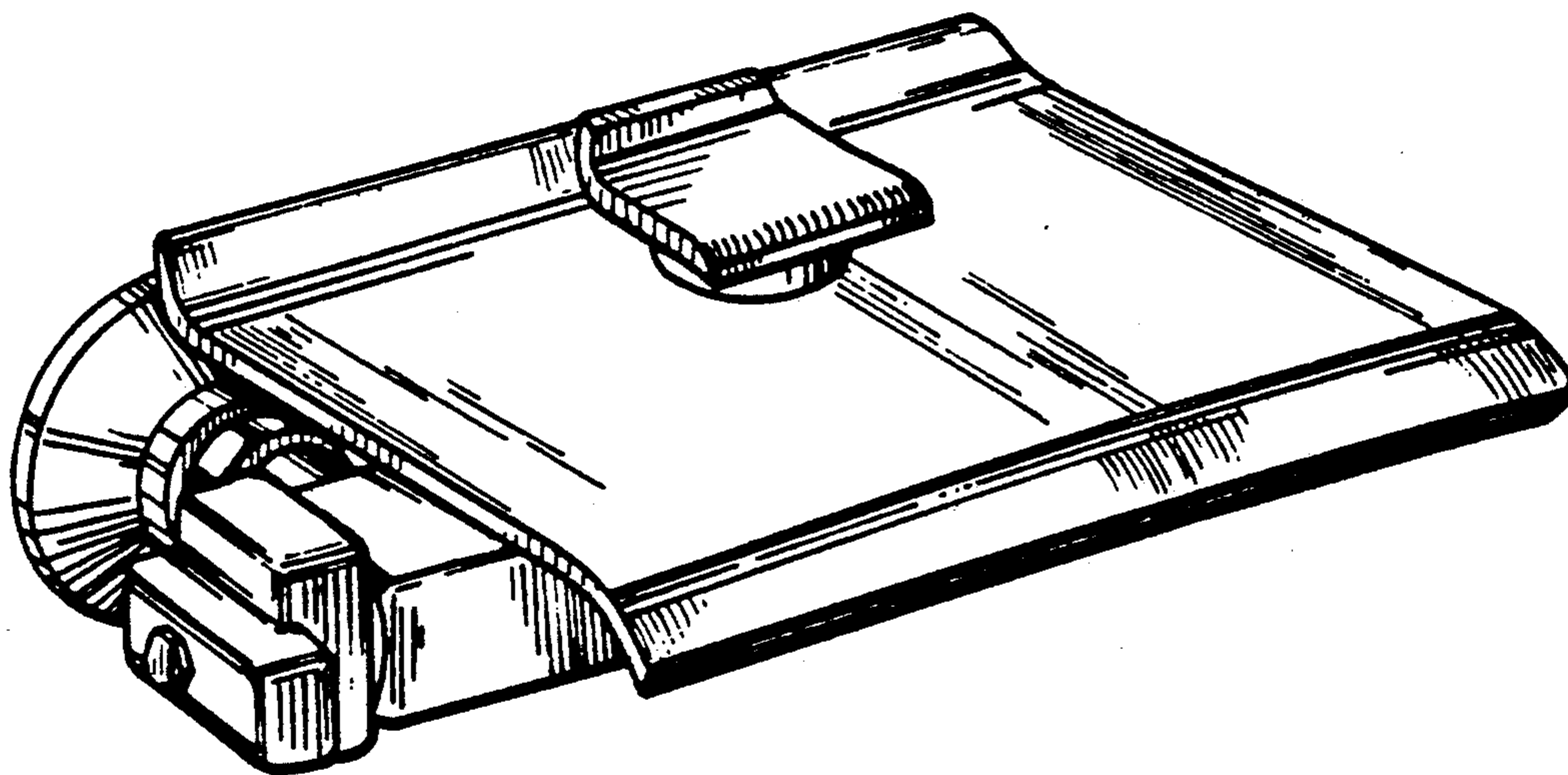


FIG. 1

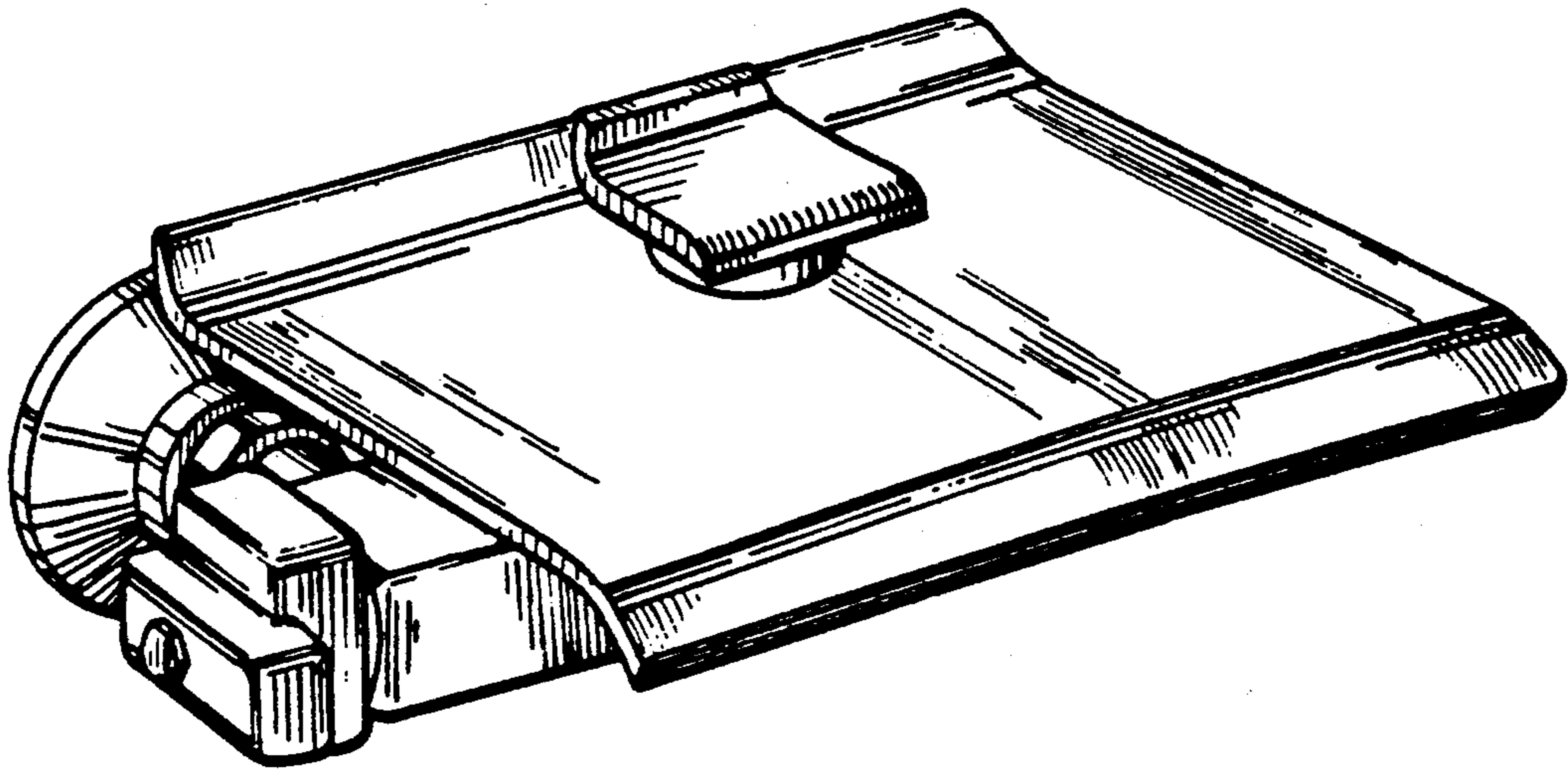


FIG. 2

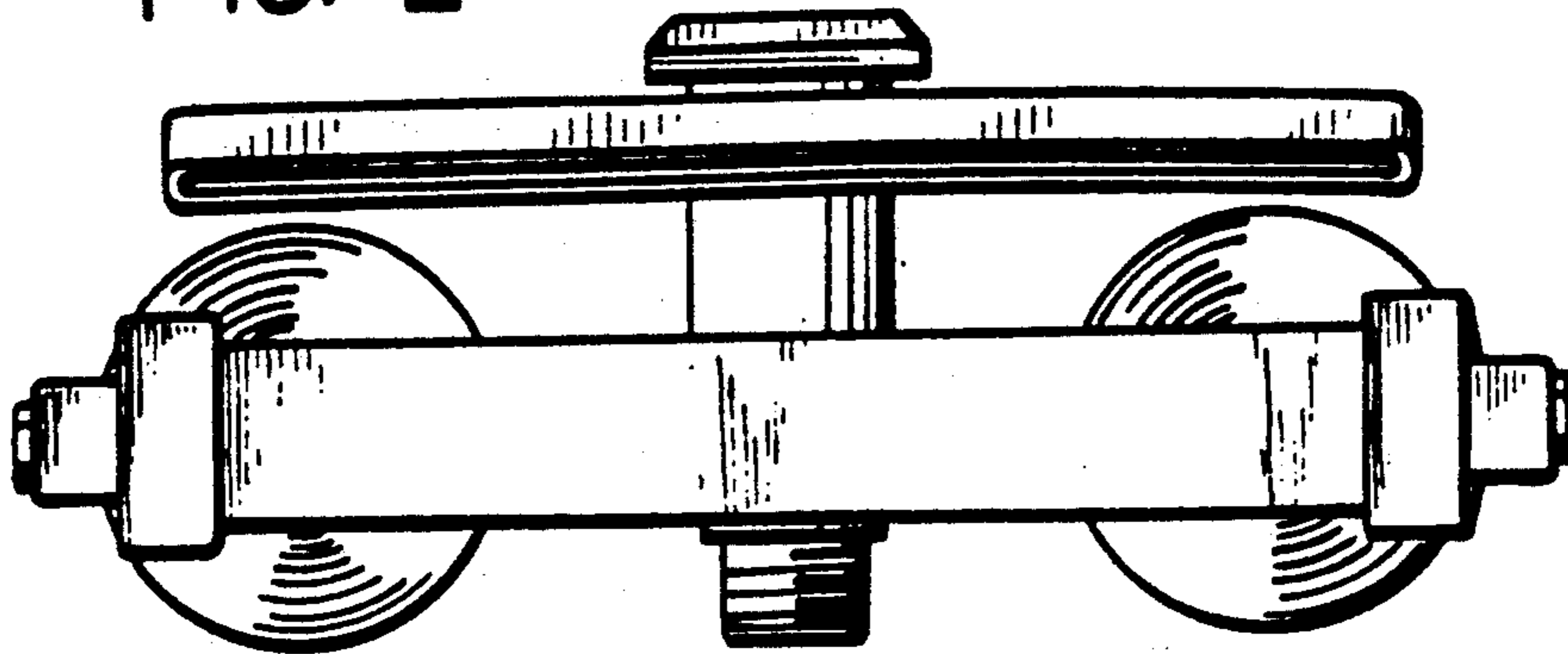


FIG. 3

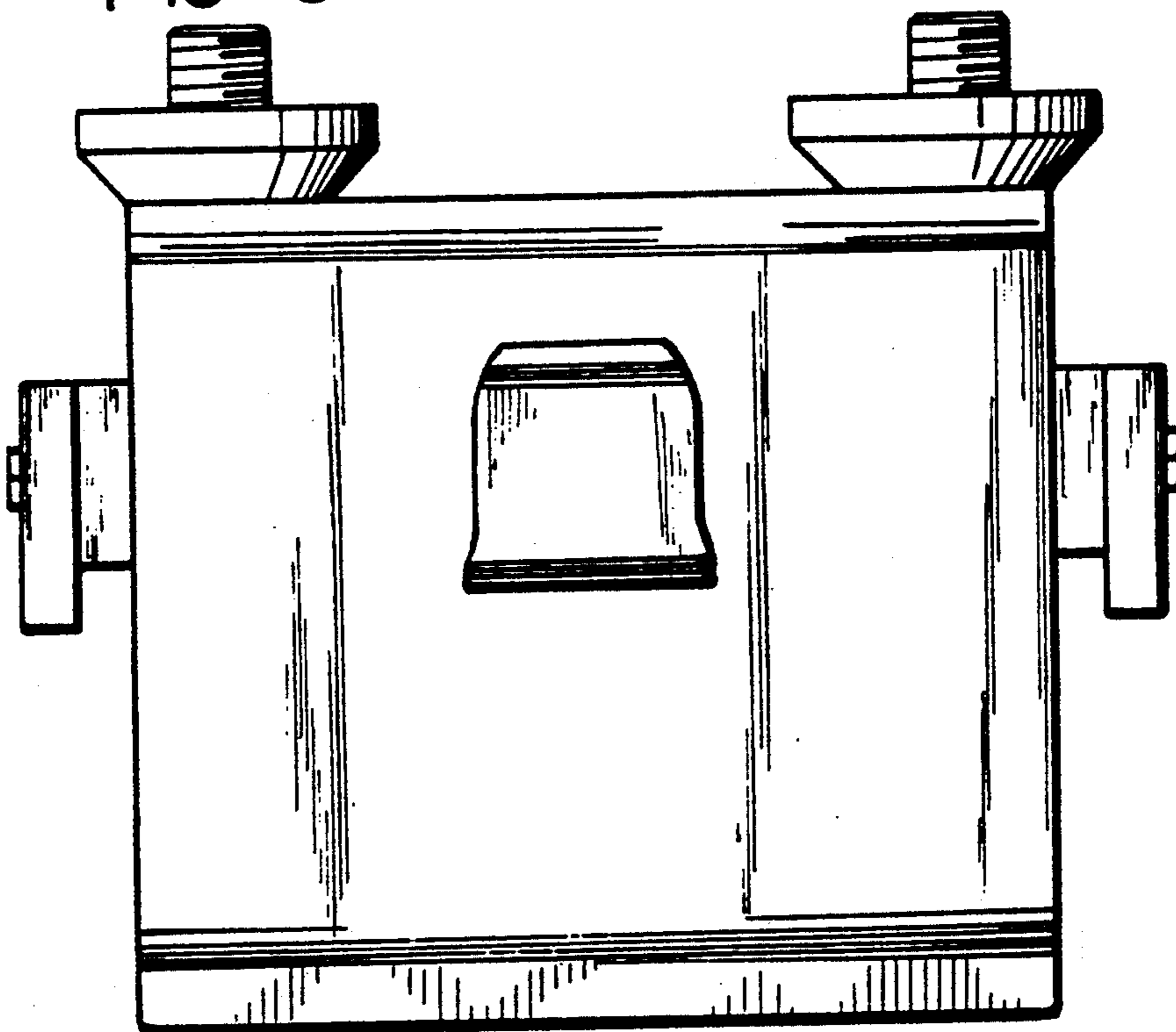


FIG. 4

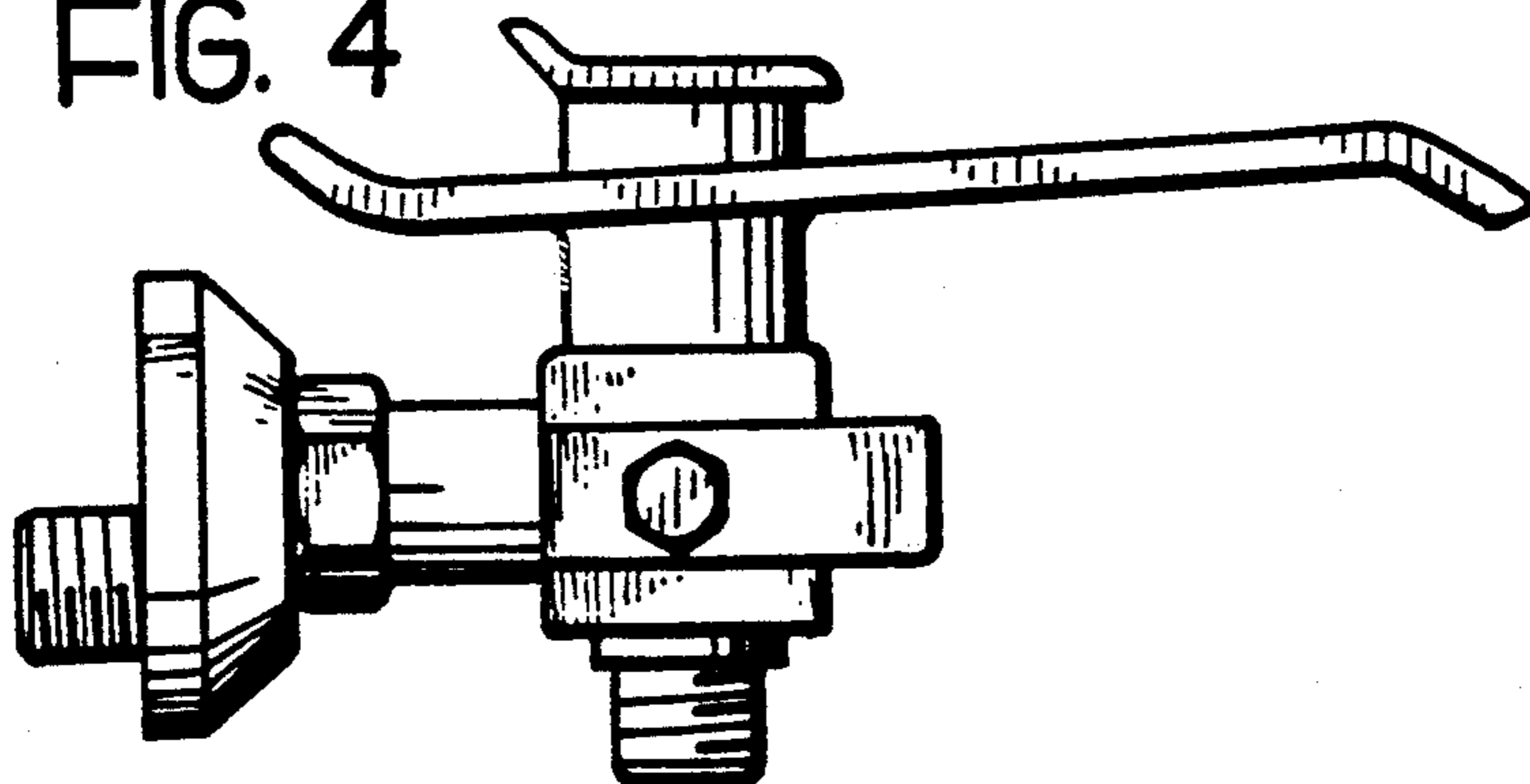
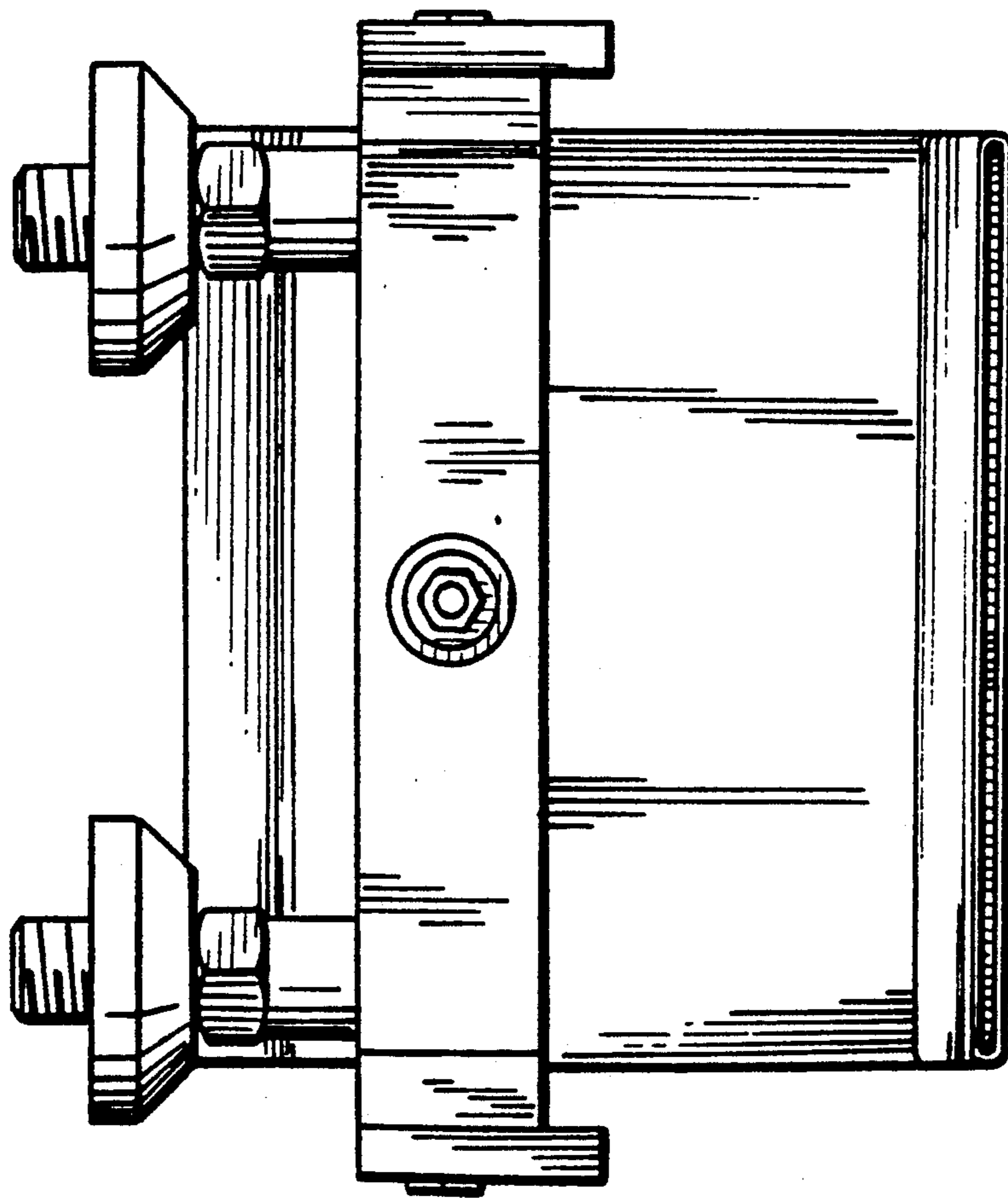


FIG. 5



UNITED STATES PATENT AND TRADEMARK OFFICE  
**CERTIFICATE OF CORRECTION**

PATENT NO. : D-318,320

DATED : July 16, 1991

INVENTOR(S) : Renato ZERLIA

It is certified that error appears in the above-identified patent and that said Letters Patent is hereby corrected as shown below:

Title page, item (30):

Foreign Application Priority Data should read as follows:

-- Jan. 25, 1988 [IT] Italy ..... 20504-B/88 [U] --

**Signed and Sealed this  
Twenty-third Day of March, 1993**

*Attest:*

STEPHEN G. KUNIN

*Attesting Officer*

*Acting Commissioner of Patents and Trademarks*

UNITED STATES PATENT AND TRADEMARK OFFICE  
**CERTIFICATE OF CORRECTION**

PATENT NO. : D-318,320

DATED : July 16, 1991

INVENTOR(S) : Renato ZERLIA

It is certified that error appears in the above-identified patent and that said Letters Patent is hereby corrected as shown below:

On the title page, item [73] should read as follows:  
-- [73] Assignee: Italiana Rubinetterie Pagliarini  
S.r.l., Novara, Italy --

Signed and Sealed this  
Seventeenth Day of May, 1994

Attest:



BRUCE LEHMAN

Attesting Officer

Commissioner of Patents and Trademarks