

[54] COMBINED SPRAYER AND REPLACEABLE CARTRIDGE

[75] Inventor: Richard O. Norman, San Antonio, Tex.

[73] Assignee: R. O. Norman Co., Inc., San Antonio, Tex.

[\*\*] Term: 14 Years

[21] Appl. No.: 274,123

[22] Filed: Nov. 21, 1988

[52] U.S. Cl. .... D23/225

[58] Field of Search ..... D23/213, 223-227; D8/14.1, 68; 239/301, 332, 373, 394, 414-415, 525-528, 532, 554, 556, 690-691, 700-703

[56] References Cited

U.S. PATENT DOCUMENTS

D. 115,884 7/1939 Worthington ..... D23/225

1,919,153 7/1933 Andrews ..... D23/225 X  
2,540,357 2/1951 Stanley ..... 239/332  
2,577,465 12/1951 Jones et al. .... D23/225 X  
2,654,636 10/1953 Duncan ..... 239/332  
2,941,726 6/1960 Szczepanski ..... 239/332 X

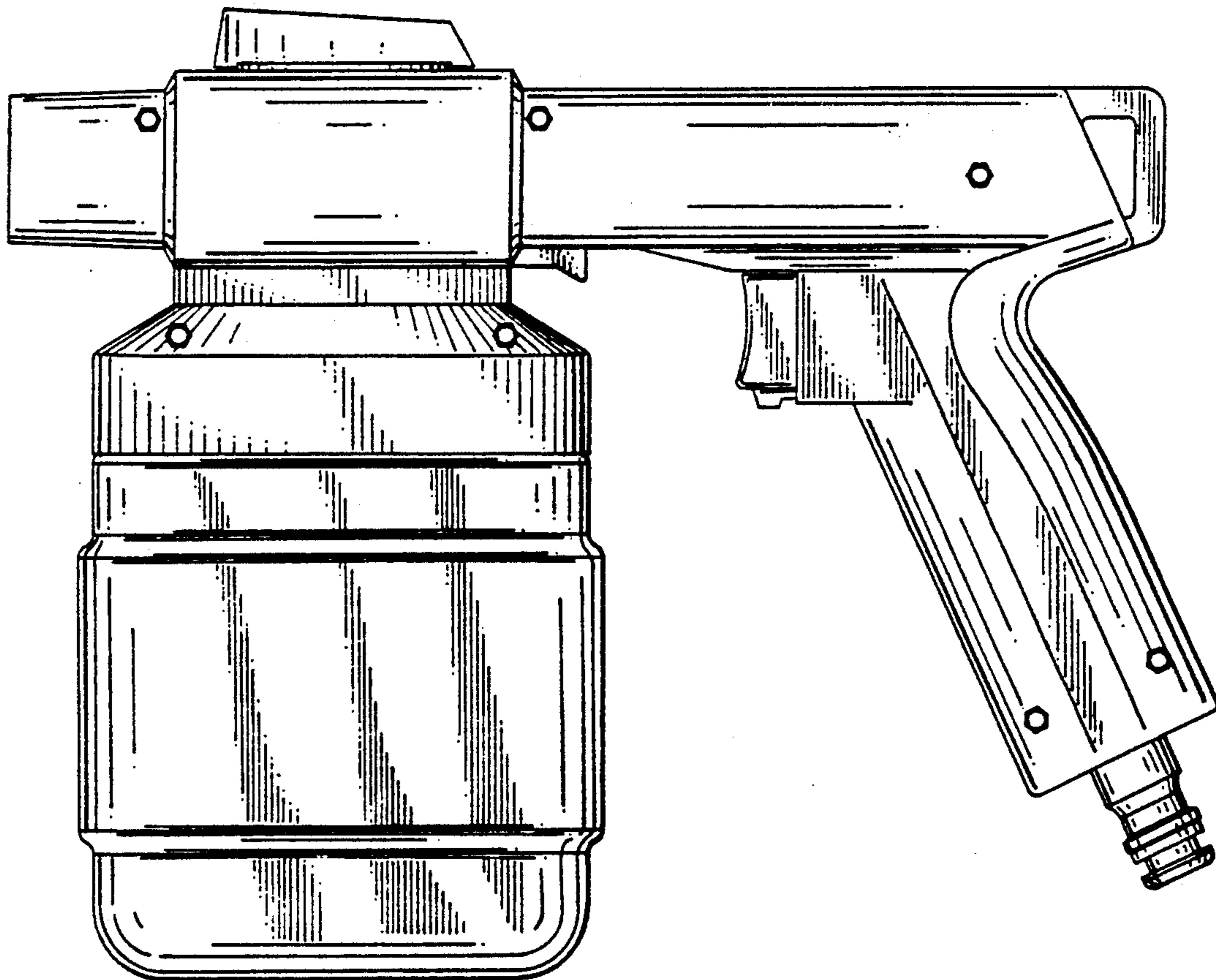
Primary Examiner—Susan J. Lucas  
Assistant Examiner—M. H. Tung  
Attorney, Agent, or Firm—Thomas E. Sisson

[57] CLAIM

The ornamental design for a combined sprayer and replaceable cartridge, as shown.

DESCRIPTION

FIG. 1 is a top plan view of a combined sprayer and replaceable cartridge showing my new design; FIG. 2 is a front elevational view thereof; FIG. 3 is a right side elevational view thereof; FIG. 4 is a rear elevational view thereof; FIG. 5 is a left side elevational view thereof; FIG. 6 is a bottom plan view thereof.



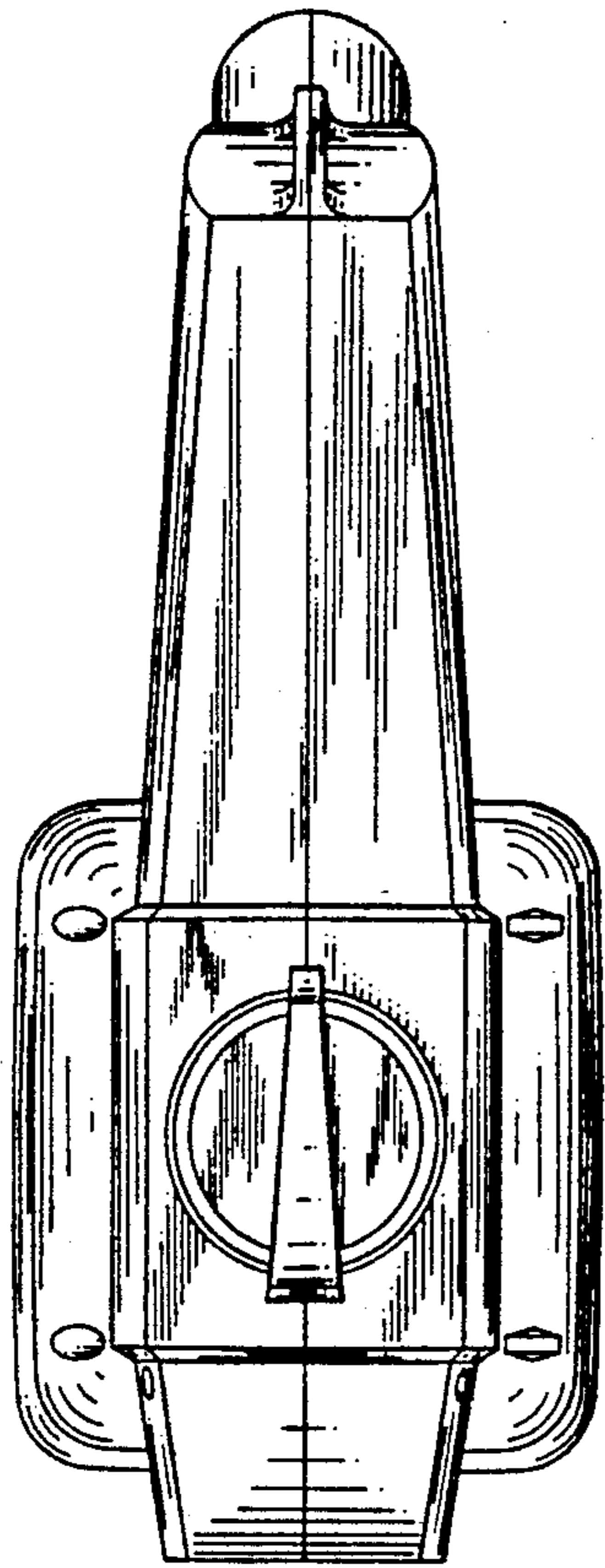


FIG. 1

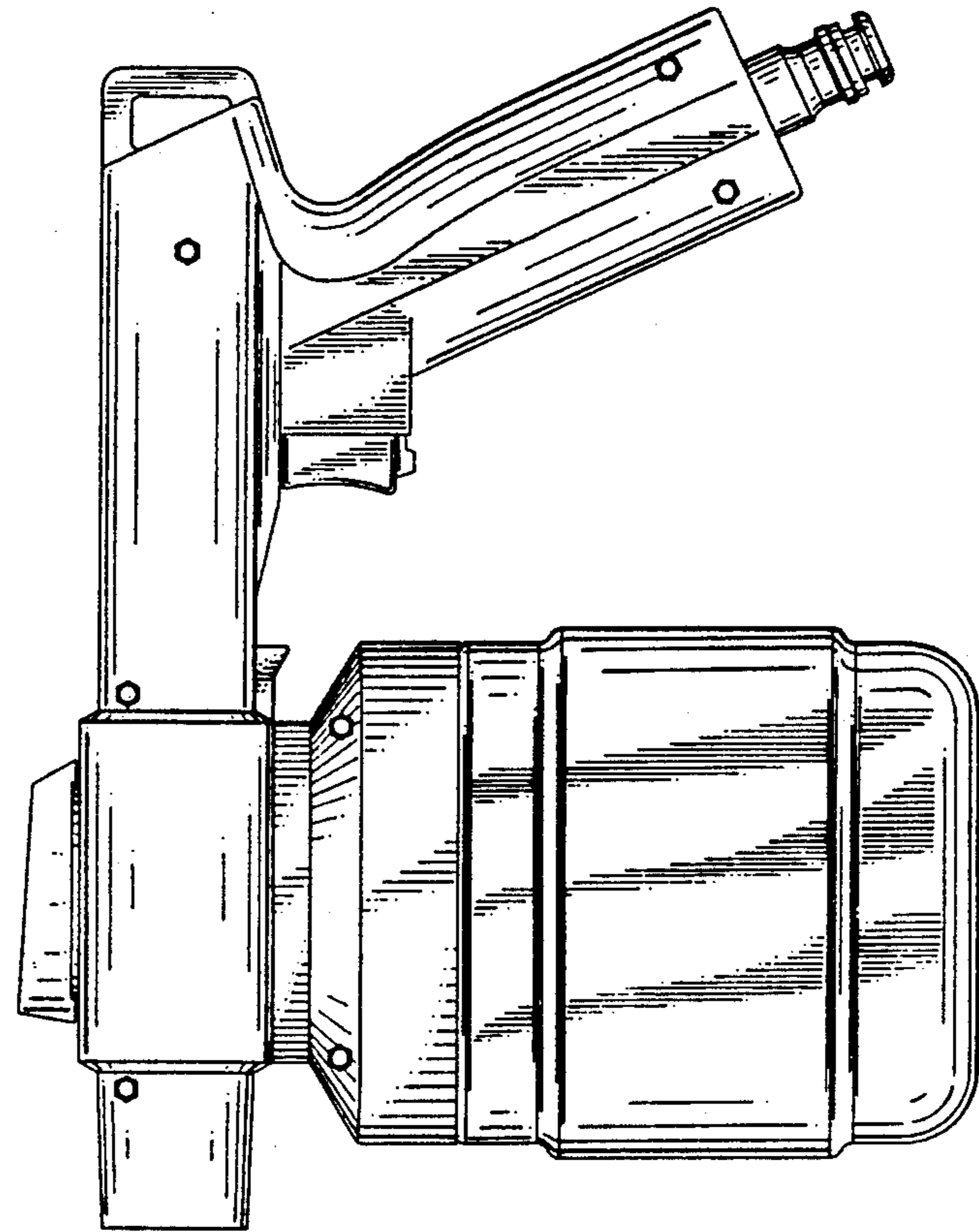


FIG. 2

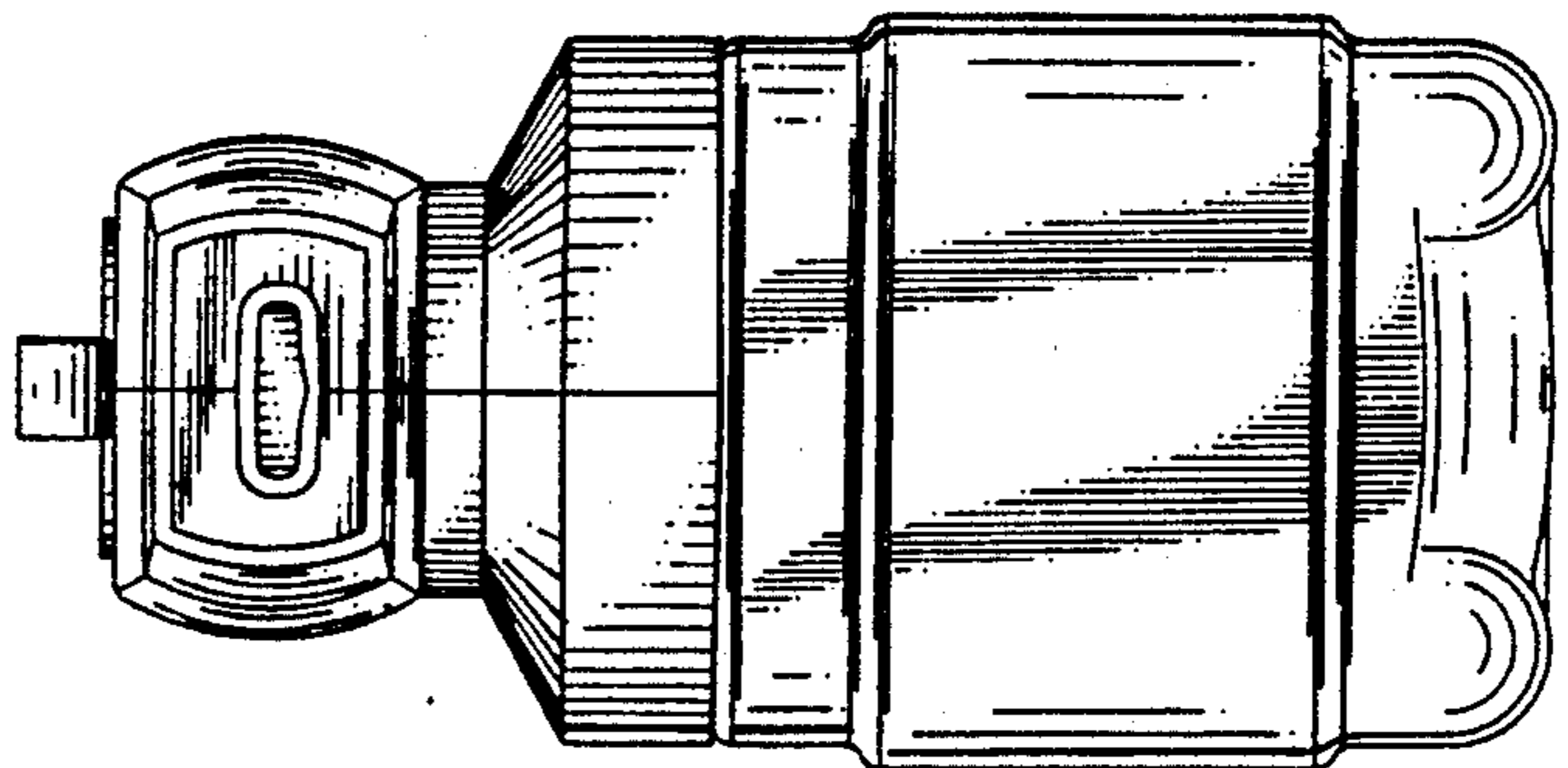


FIG. 3

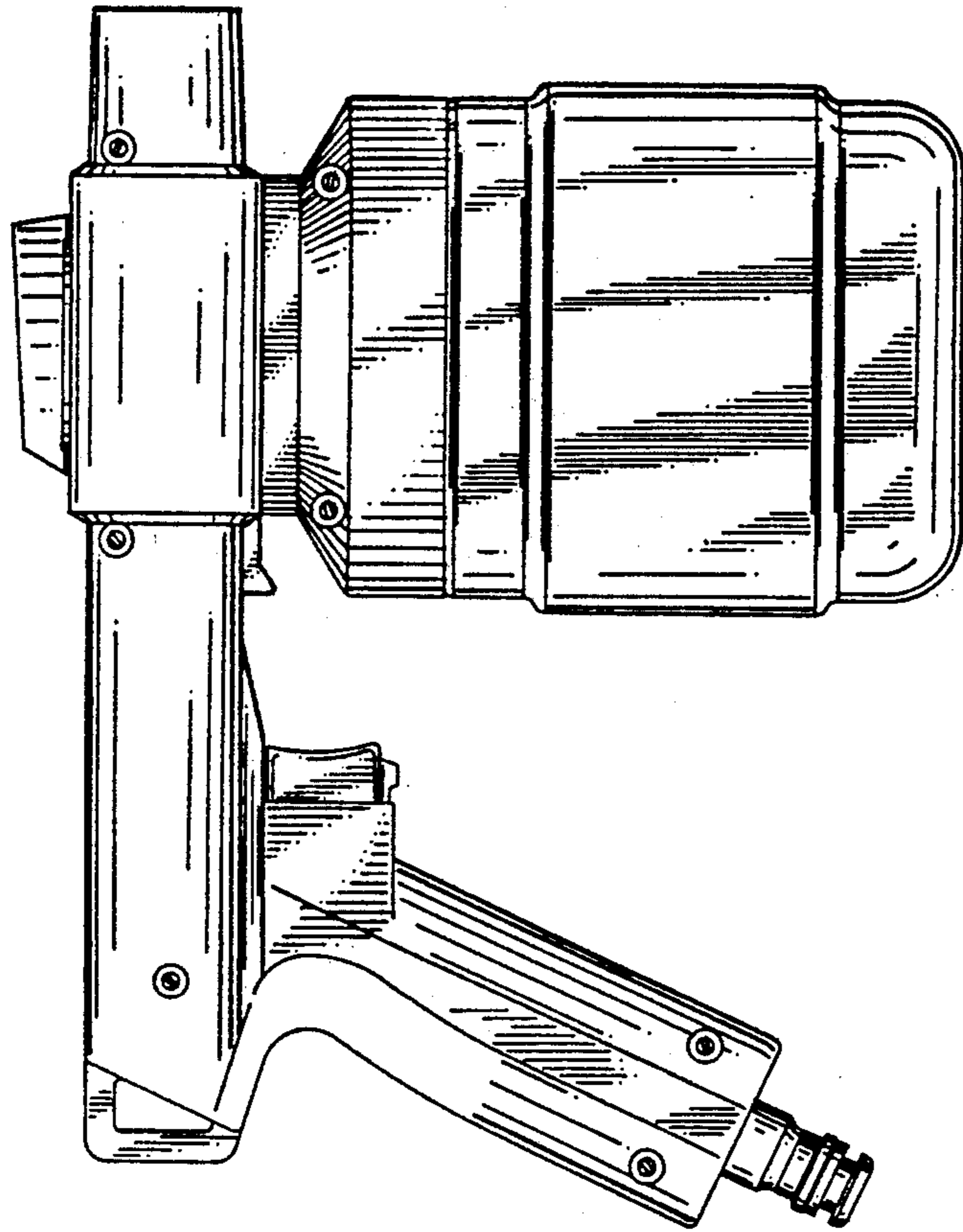


FIG. 5

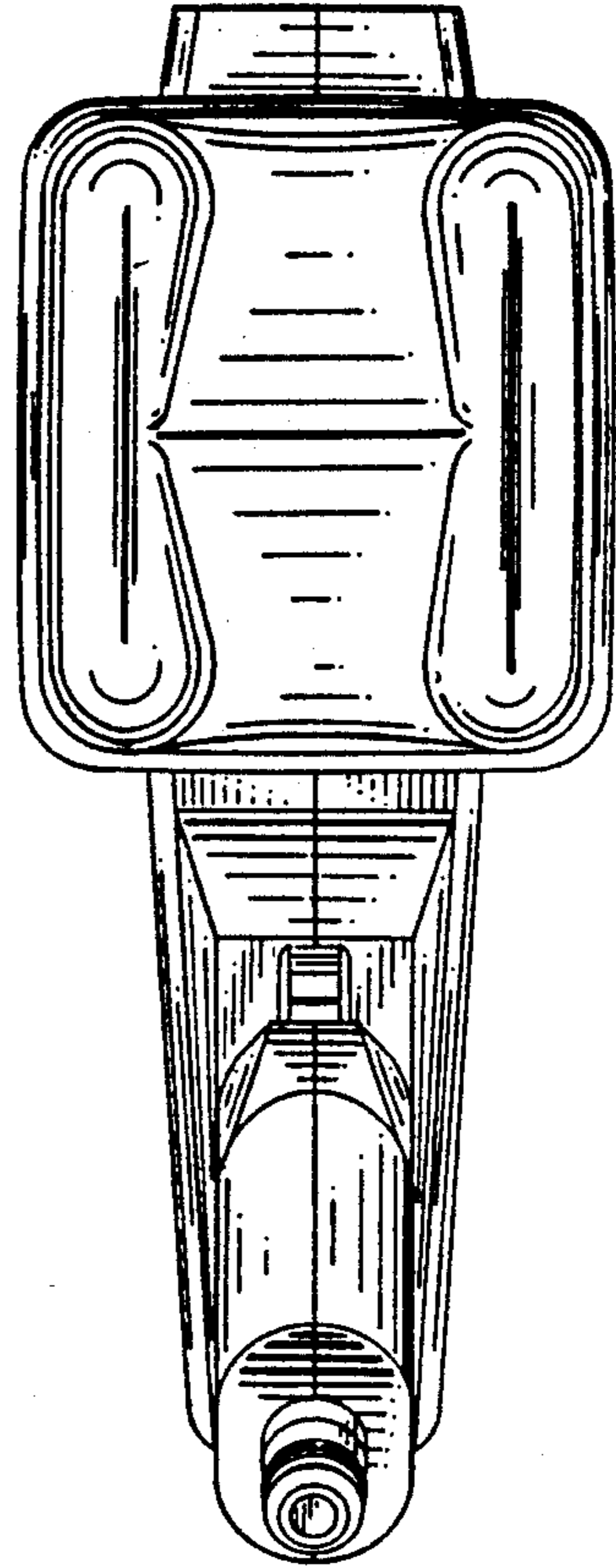


FIG. 6

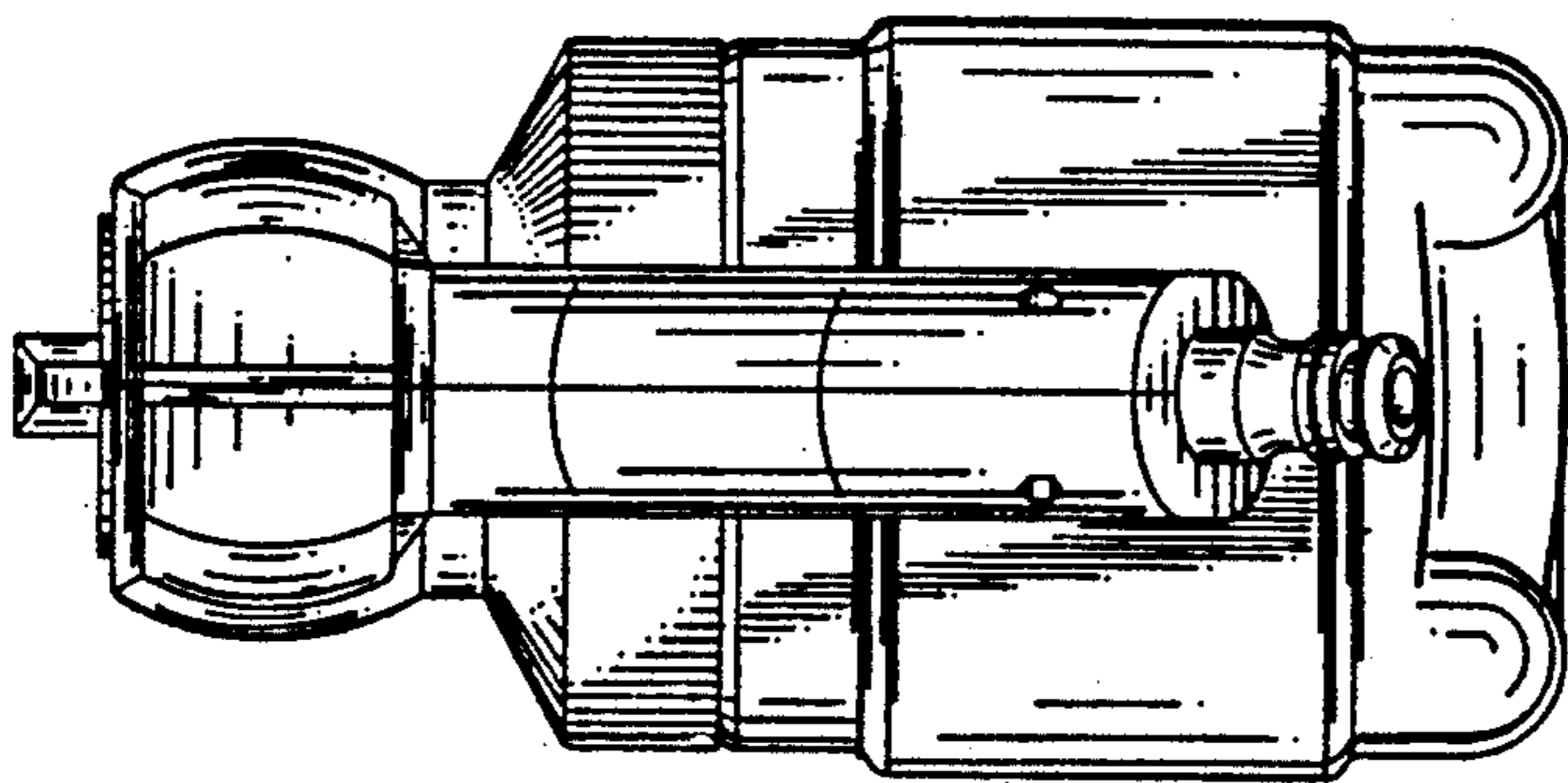


FIG. 4