

- [54] **PORTABLE ULTRA-FILTER FOR INDUSTRIAL WASTE FLUIDS**
- [75] **Inventor:** George W. Sanborn, Walpole, Mass.
- [73] **Assignee:** Sanborn, Inc., Wrentham, Mass.
- [**] **Term:** 14 Years
- [21] **Appl. No.:** 255,735
- [22] **Filed:** Oct. 11, 1988
- [52] **U.S. Cl.** D23/209
- [58] **Field of Search** D23/200, 207, 208, 209, D23/210; 210/652, 650, 651, 634, 642, 648, 649

[56] **References Cited**

U.S. PATENT DOCUMENTS

D. 197,942	4/1964	Treiss	D23/207
D. 200,995	4/1965	Niers et al.	D23/207
D. 205,650	8/1966	King	D23/207
D. 205,922	10/1966	Moon	D23/207
D. 256,719	9/1980	Rose	D23/207
4,636,317	1/1987	Lewis	.	

Primary Examiner—Susan J. Lucas
Assistant Examiner—M. H. Tung

Attorney, Agent, or Firm—Cesari and McKenna

[57] **CLAIM**

The ornamental design for a portable ultra-filter for industrial waste fluids, as shown and described.

DESCRIPTION

FIG. 1 is a top perspective of a portable ultra filter for industrial waste fluids showing my new design, on a reduced scale, the broken lines are shown for illustrative purposes only and form no part of the claimed design;

FIG. 2 is a top perspective view thereof, on an enlarged scale;

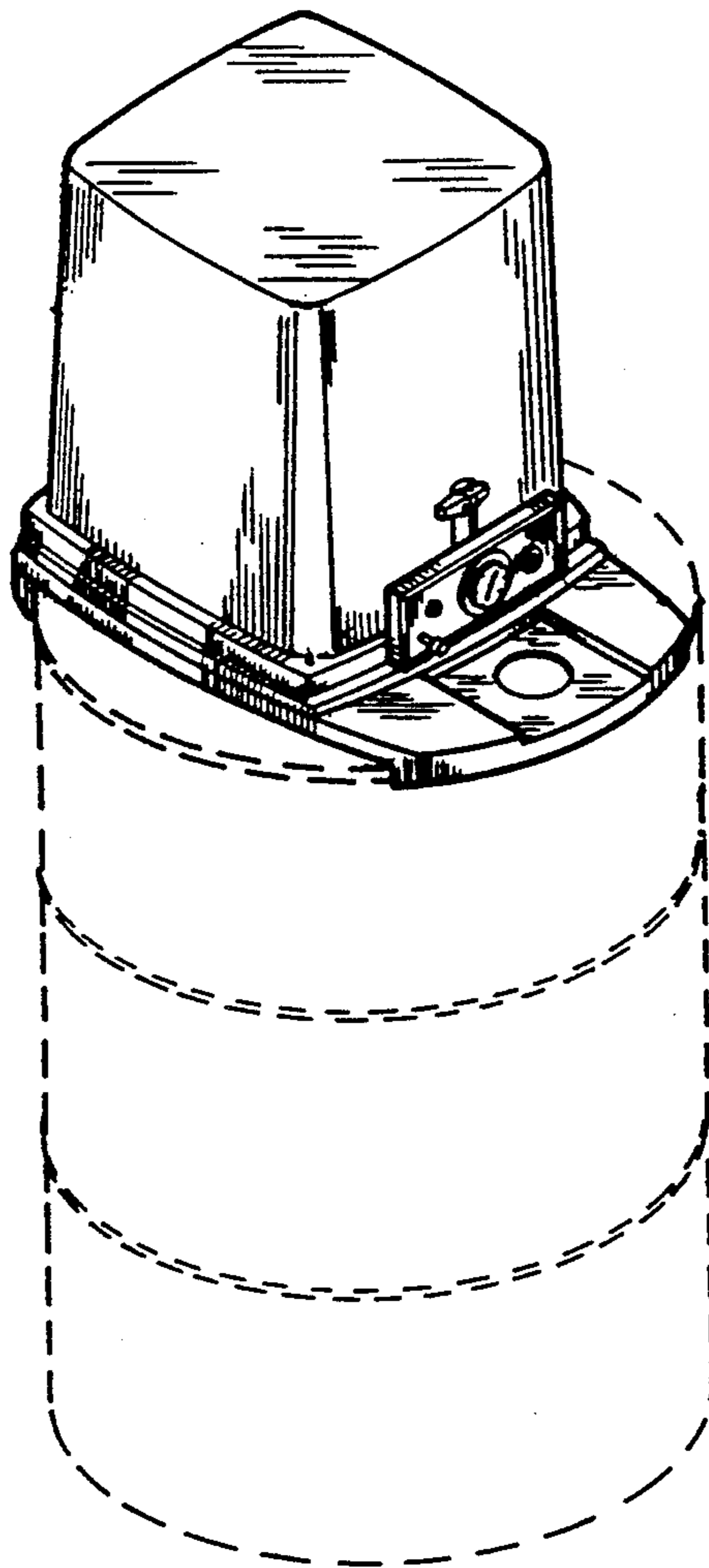
FIG. 3 is a front elevational view thereof, on a greatly enlarged scale;

FIG. 4 is a side elevational view thereof, on a greatly enlarged scale;

FIG. 5 is a top plan view thereof, on a greatly enlarged scale; and

FIG. 6 is a rear elevational view thereof, on a greatly enlarged scale.

The side views of the portable ultra-filter for industrial waste fluids not shown are mirror images of the side views that are shown.



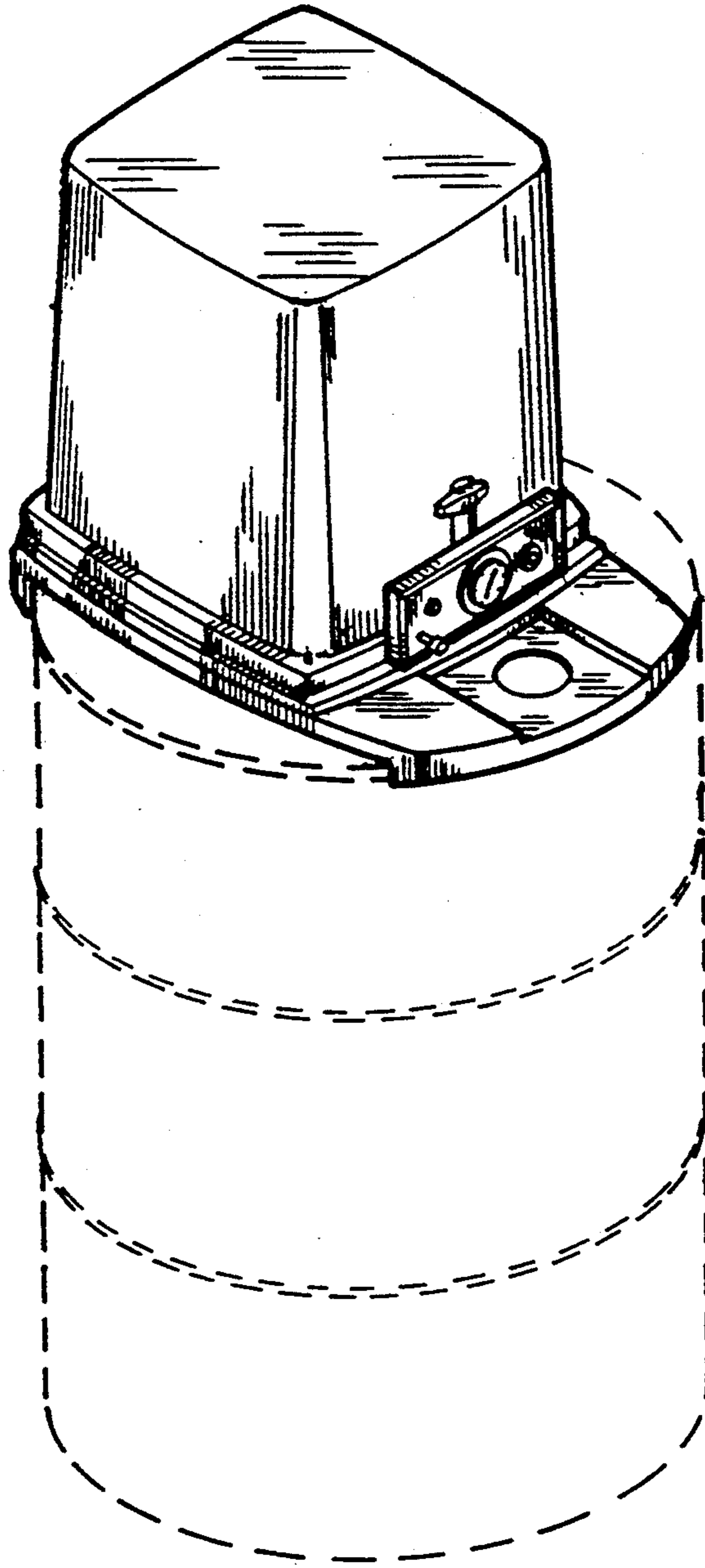


FIG. 1

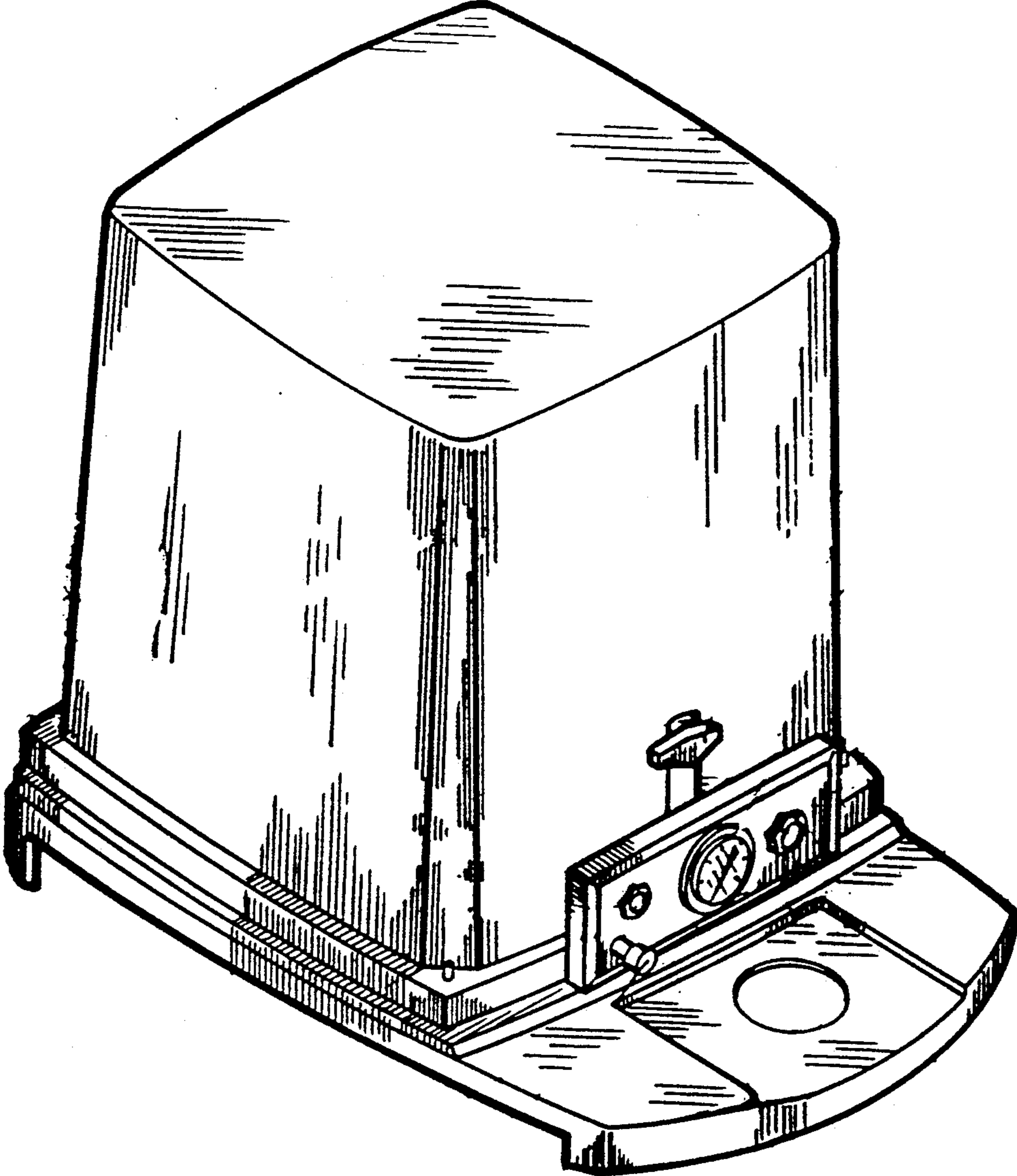


FIG. 2

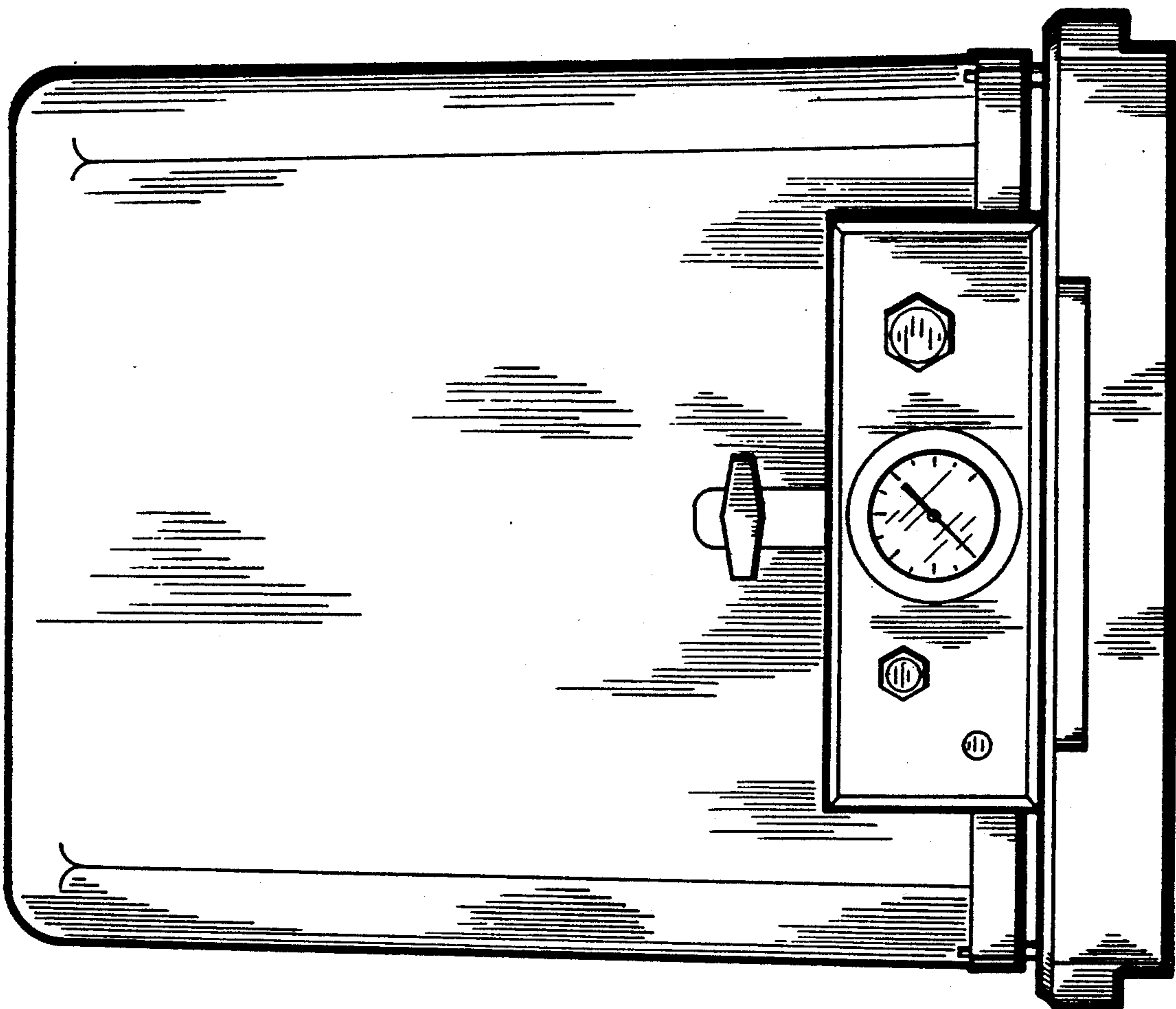


FIG. 3

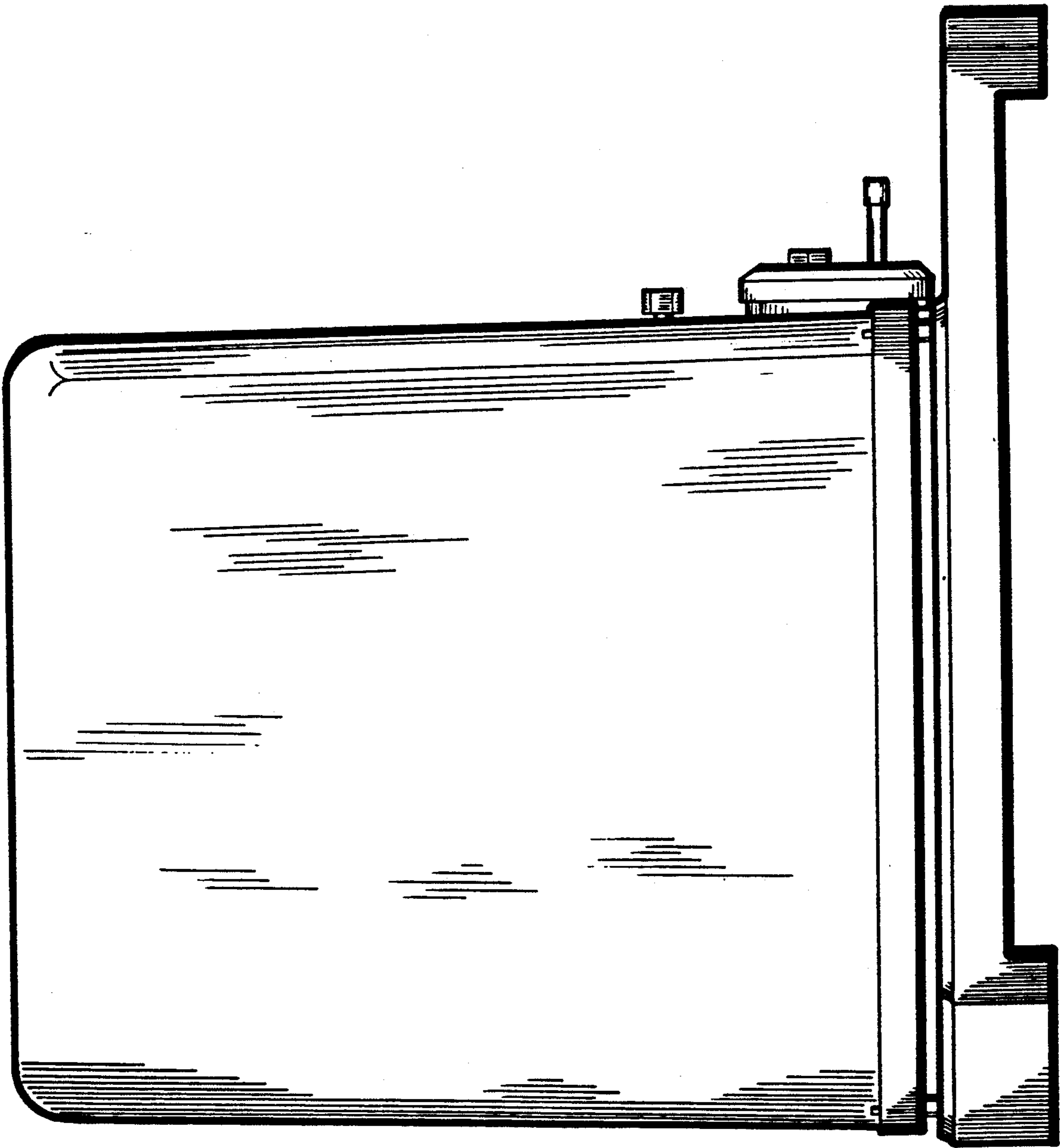


FIG. 4

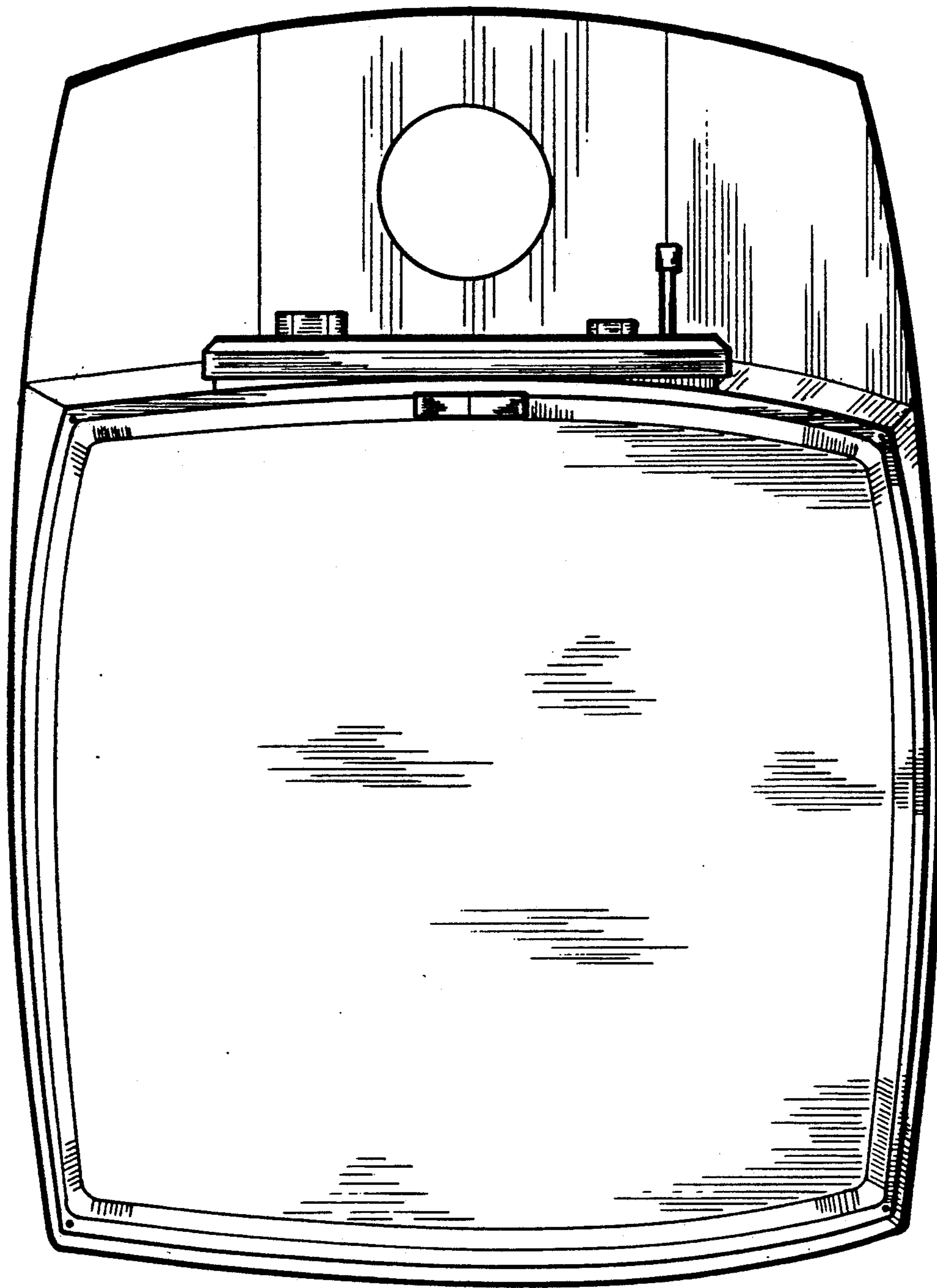


FIG. 5

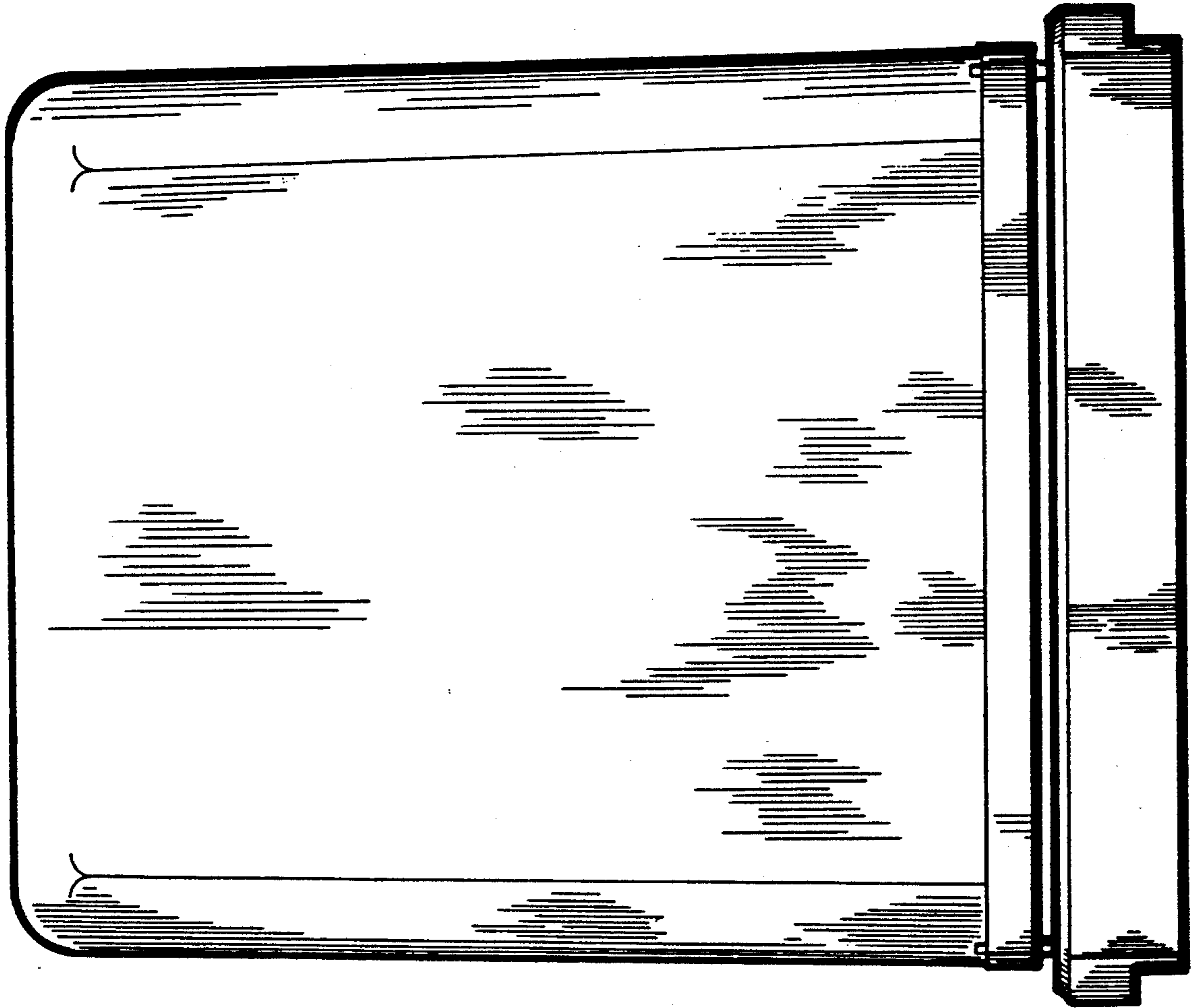


FIG. 6