

[54] FISH STRINGER

[76] Inventor: Dennis D. Watkins, Rte. 3, Box 175-2, Broken Bow, Okla. 74728

[**] Term: 14 Years

[21] Appl. No.: 242,075

[22] Filed: Sep. 9, 1988

[52] U.S. Cl. D22/134

[58] Field of Search D22/134, 149, 199; 43/44.98, 5, 53.5, 55, 6; 224/103; 294/82.14, 82.11, 125-127; 24/128 R; D3/28, 23

[56] References Cited

U.S. PATENT DOCUMENTS

529,758	11/1894	Sippy	224/103
610,859	9/1898	Gleason	D3/23 X
1,500,613	7/1924	Halloway	224/103
2,047,834	7/1936	Plasters	224/103
2,210,169	8/1940	Harter	D22/149 X
2,453,381	11/1948	Orton	224/103
2,552,877	5/1951	Vieriu	D22/149 X
2,567,775	9/1951	Loree	224/103
2,612,303	9/1952	Butler	224/103
2,708,538	5/1955	Matras	224/103
2,760,700	8/1956	Lien	224/103
2,972,438	2/1961	Kimbrough	224/103

3,061,156	10/1962	Gawthop	224/103
3,160,336	12/1964	Flatford et al.	224/103
4,579,075	4/1986	Foreman	24/128 X

OTHER PUBLICATIONS

Bucilla Catalogue, Jun. 1941, p. 34, Wood Knitting Needle #16.

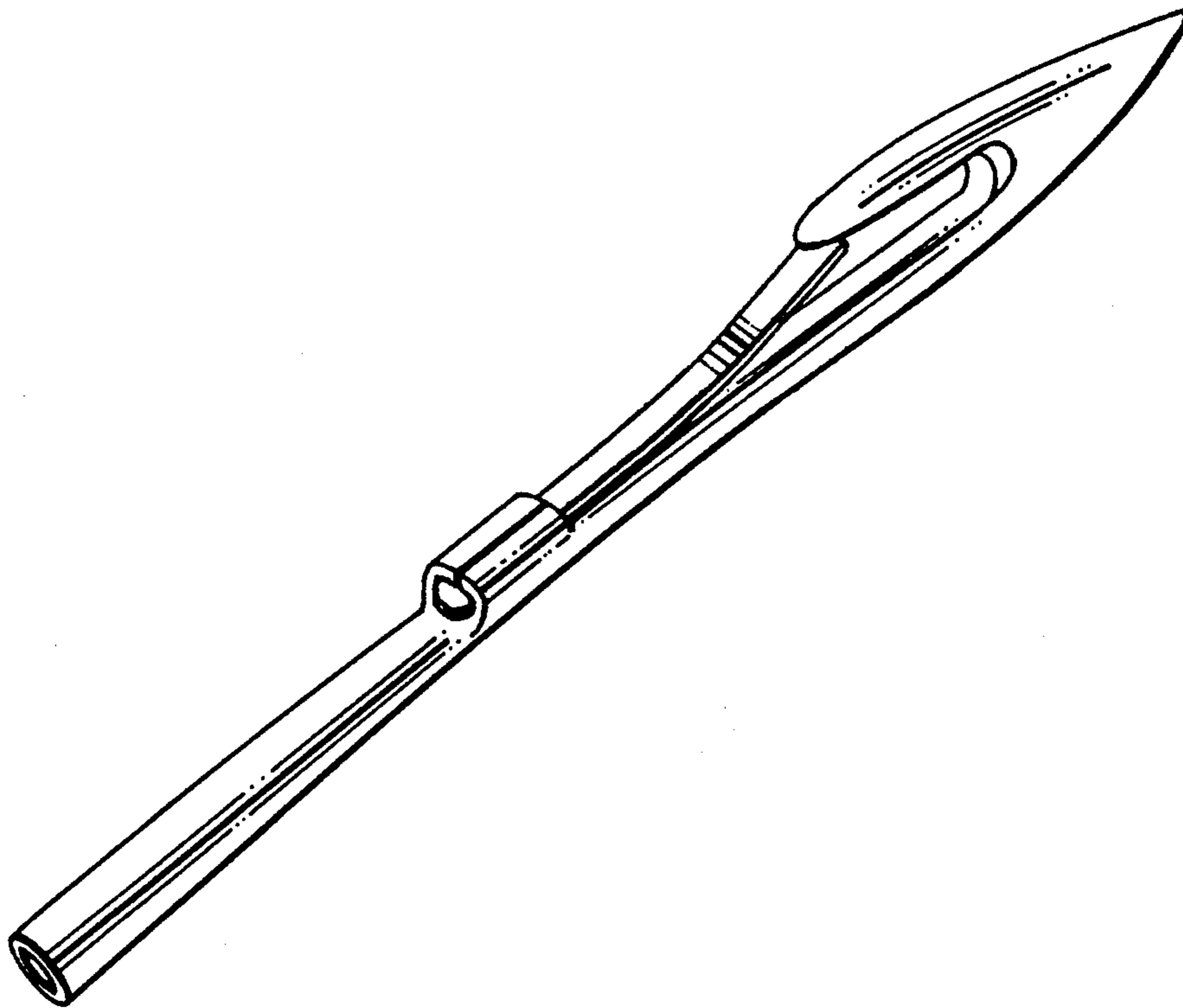
Primary Examiner—A. Hugo Word
Assistant Examiner—Doris V. Coles
Attorney, Agent, or Firm—Dennis T. Griggs

[57] CLAIM

The ornamental design for a fish stringer, as shown and described.

DESCRIPTION

FIG. 1 is a perspective view of a fish stringer showing my new design;
FIG. 2 is a left side elevational view thereof, the right side elevational view being a mirror image thereof;
FIG. 3 is a top plan view thereof;
FIG. 4 is a front elevational view thereof;
FIG. 5 is a rear elevational view thereof;
FIG. 6 is a bottom plan view thereof; and,
FIG. 7 is a perspective view thereof, the broken lines showing a cord and fish are for illustrative purposes only and form no part of the claimed design.



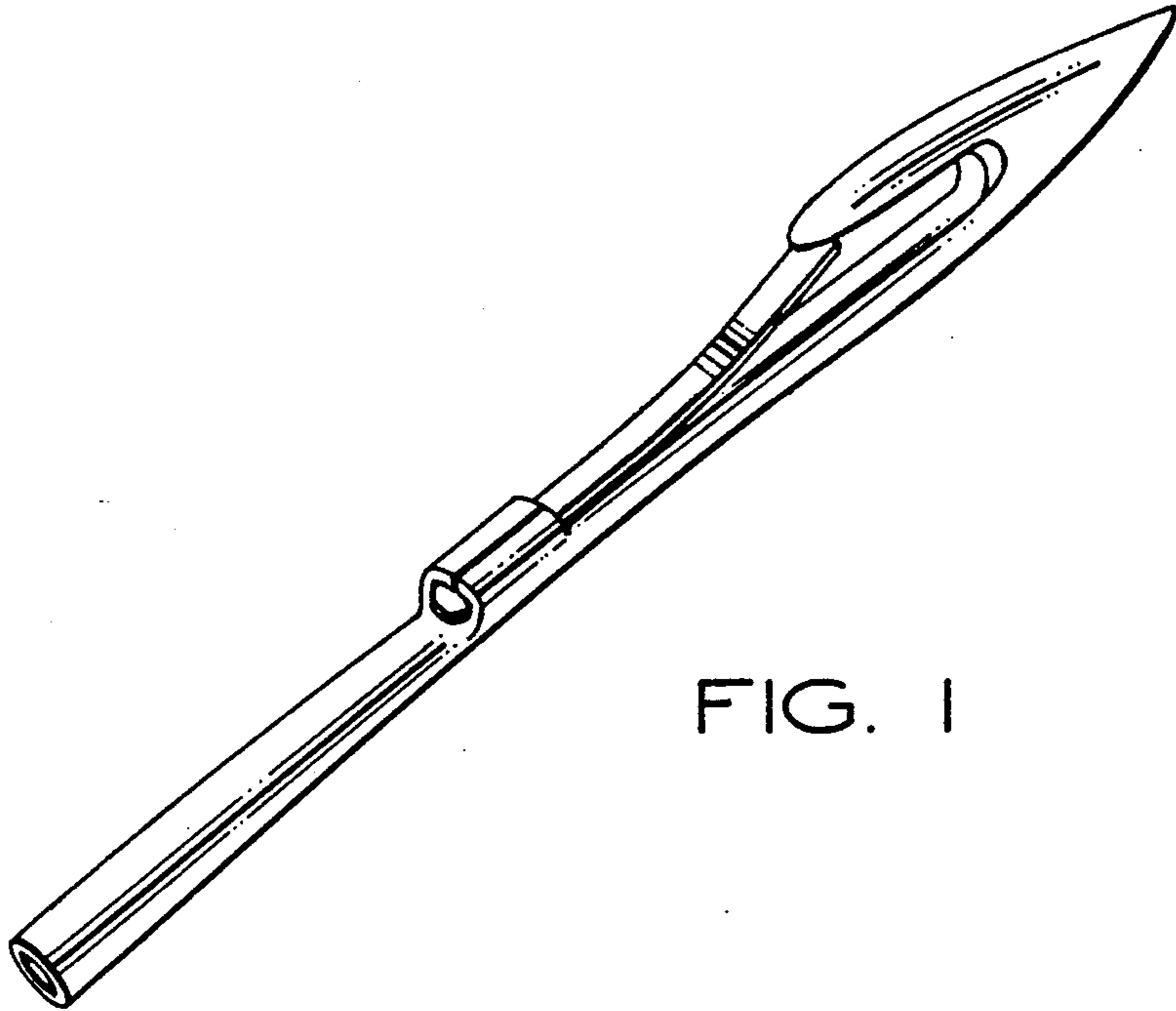


FIG. 1



FIG. 2

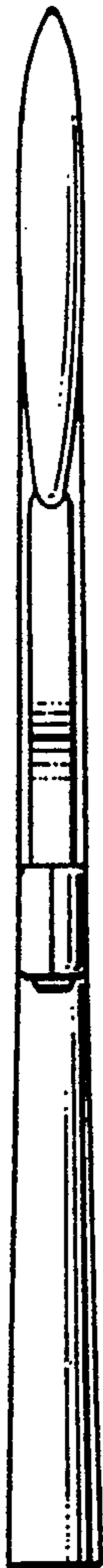


FIG. 3



FIG. 4



FIG. 5



FIG. 6

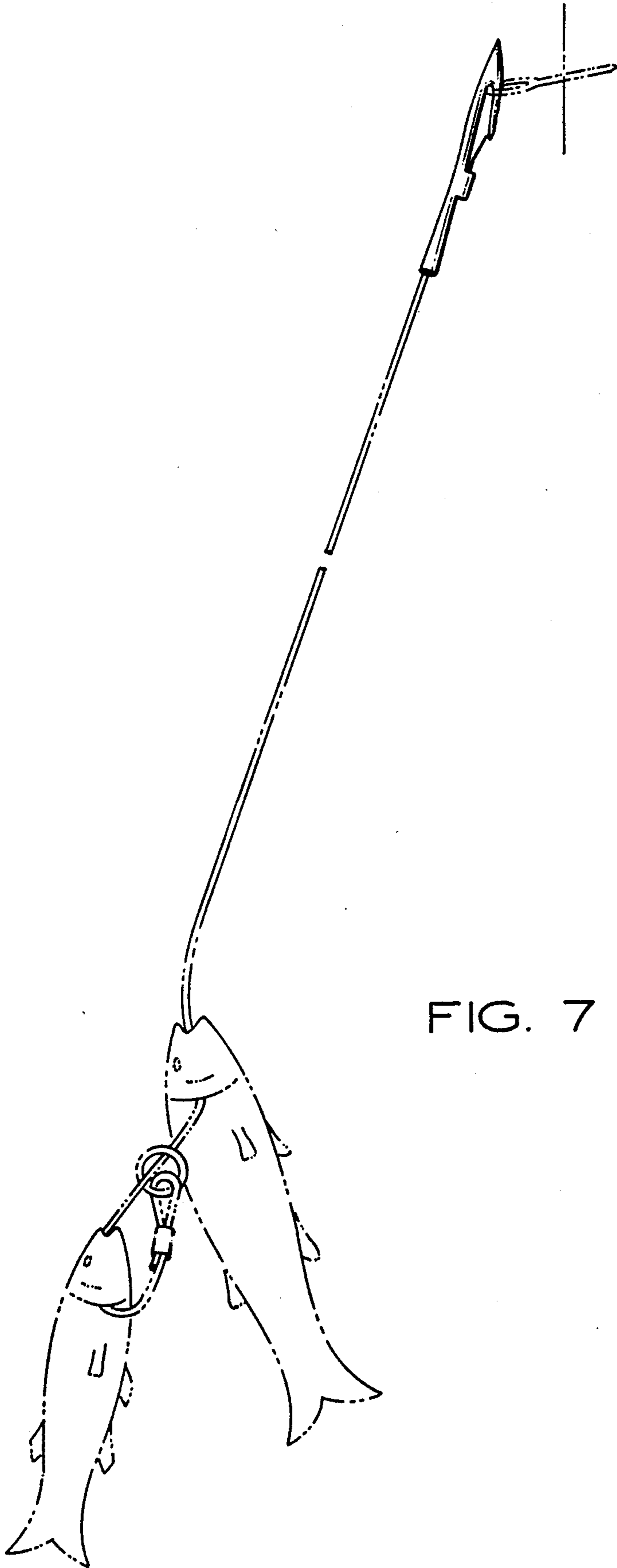


FIG. 7