

[54] PISTOL SCOPE MOUNT

[76] Inventor: Daniel L. Bechtel, 4701 Inwood Rd., Fort Worth, Tex. 76109

[**] Term: 14 Years

[21] Appl. No.: 256,369

[22] Filed: Oct. 11, 1988

[52] U.S. Cl. D22/110

[58] Field of Search D22/110, 109; 33/233, 33/243, 245, 247-250, 261; 42/100-102

[56] References Cited

U.S. PATENT DOCUMENTS

D. 216,014	11/1969	Dupont	D22/110
D. 269,989	8/1983	Ross	D22/110
D. 291,469	8/1987	Bechtel	D22/110
D. 291,470	8/1987	Bechtel	D22/110
2,471,761	5/1949	McMillan	33/261

3,875,675	4/1975	Krisay	33/245
4,228,605	10/1980	Chacornac	42/100 X
4,878,307	11/1989	Singletary	33/245 X

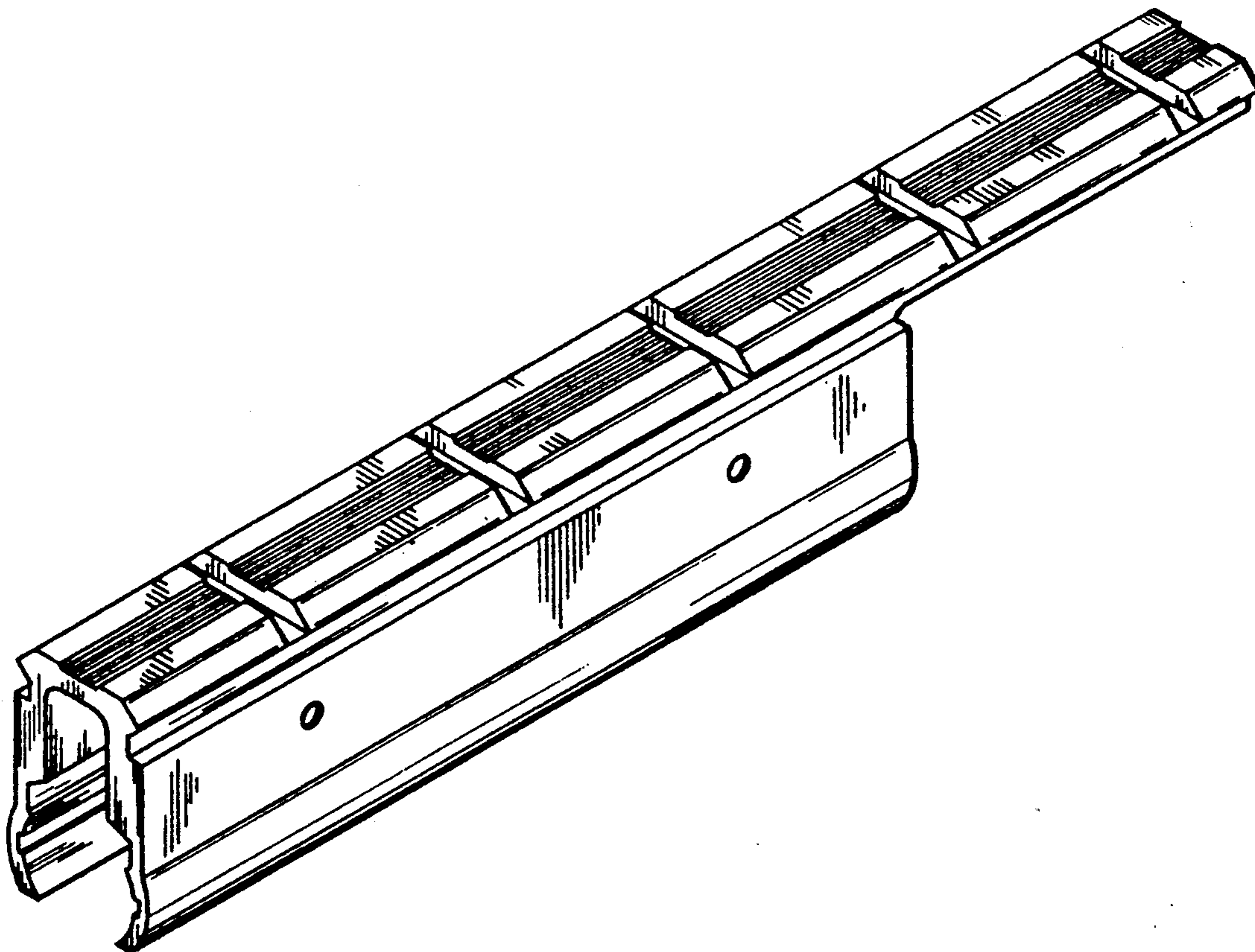
Primary Examiner—A. Hugo Word
Assistant Examiner—Doris V. Coles
Attorney, Agent, or Firm—Charles W. McHugh

[57] CLAIM

The ornamental design for a pistol scope mount, as shown.

DESCRIPTION

FIG. 1 is a perspective view of the pistol scope mount showing my new design;
FIG. 2 is a front elevational view thereof;
FIG. 3 is a rear elevational view thereof;
FIG. 4 is a top plan view thereof;
FIG. 5 is a left side elevational view thereof;
FIG. 6 is a bottom plan view thereof; and
FIG. 7 is a right side elevational view thereof.



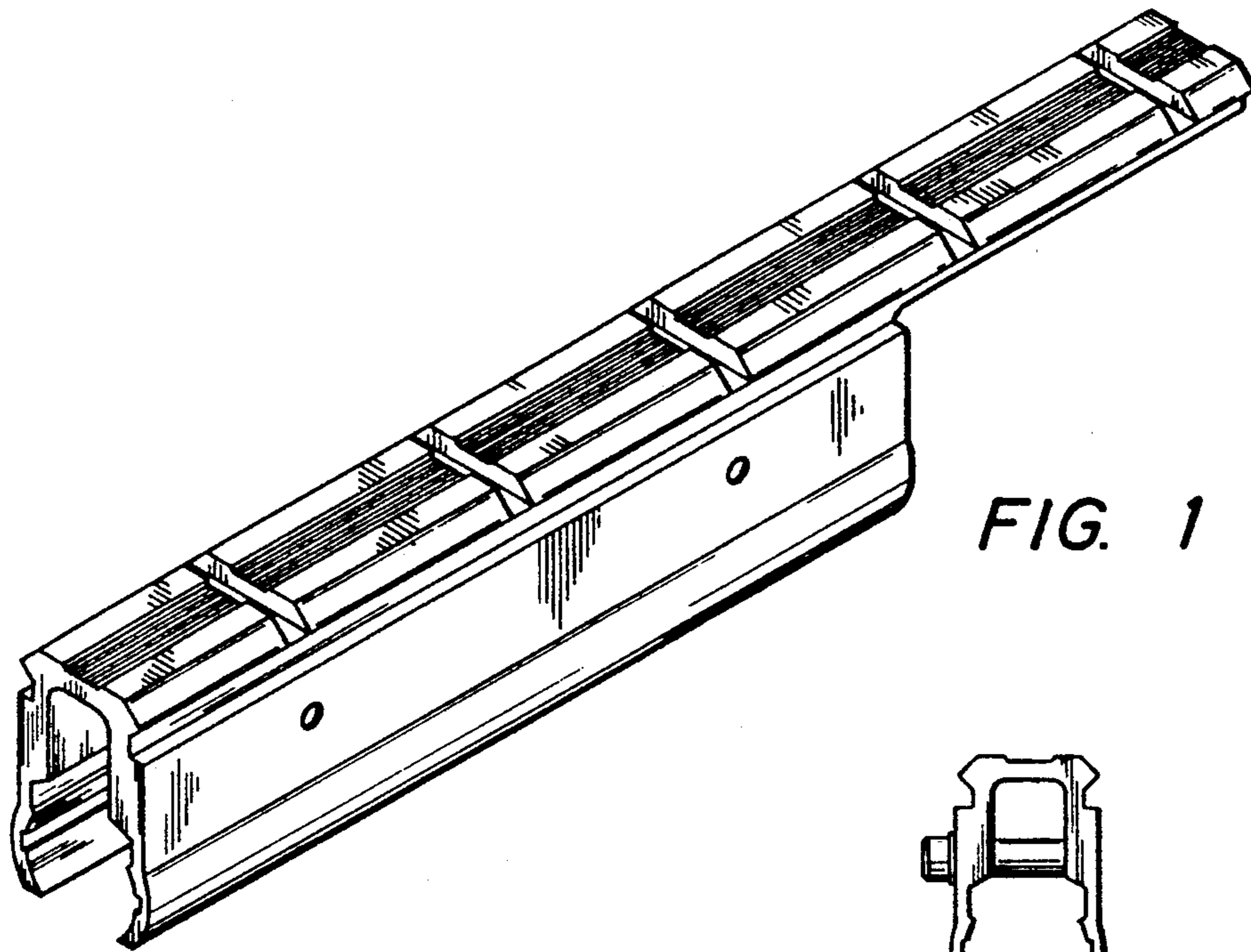


FIG. 1

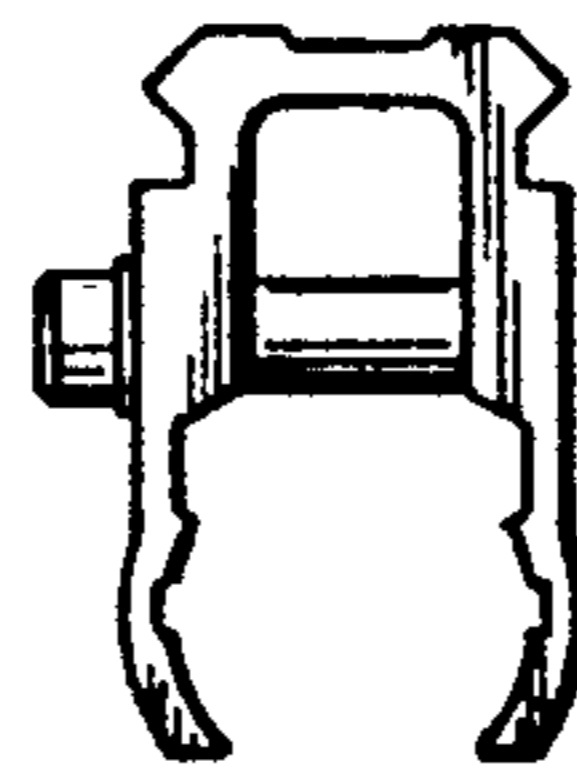


FIG. 2

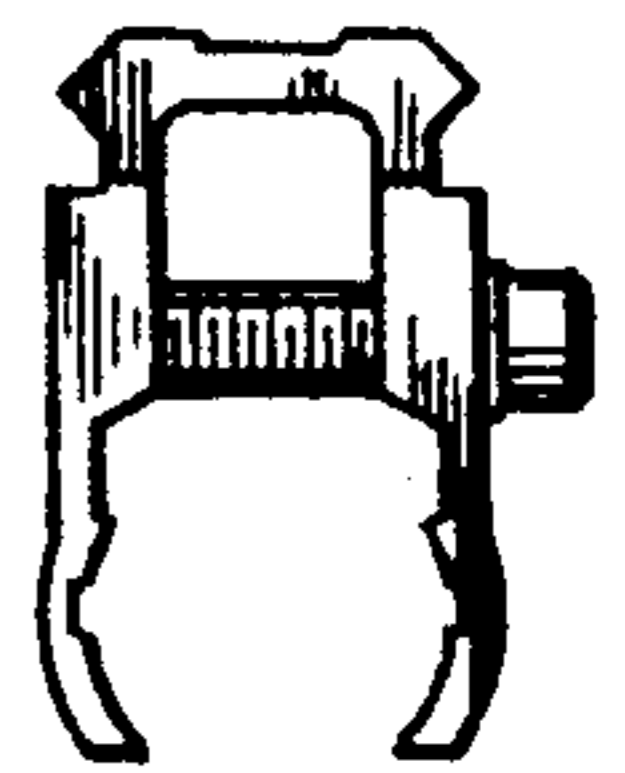


FIG. 3

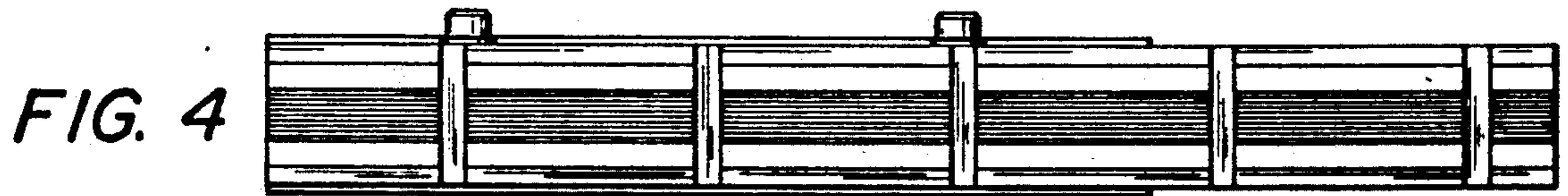


FIG. 4

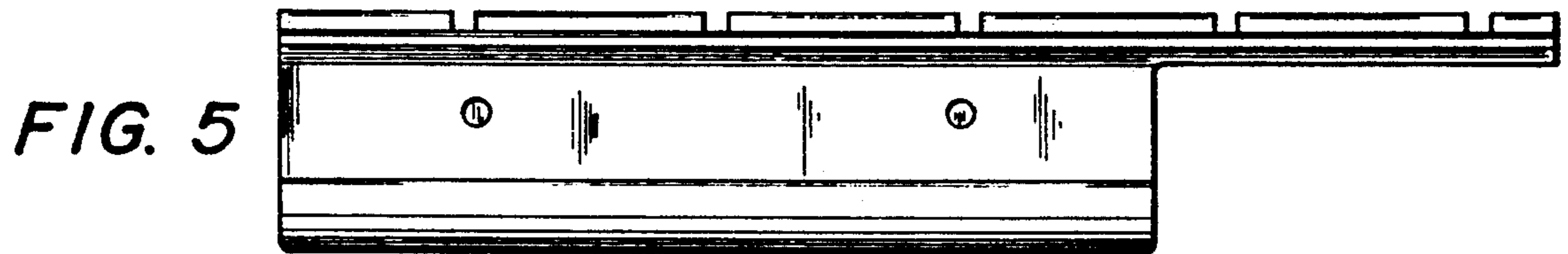


FIG. 5

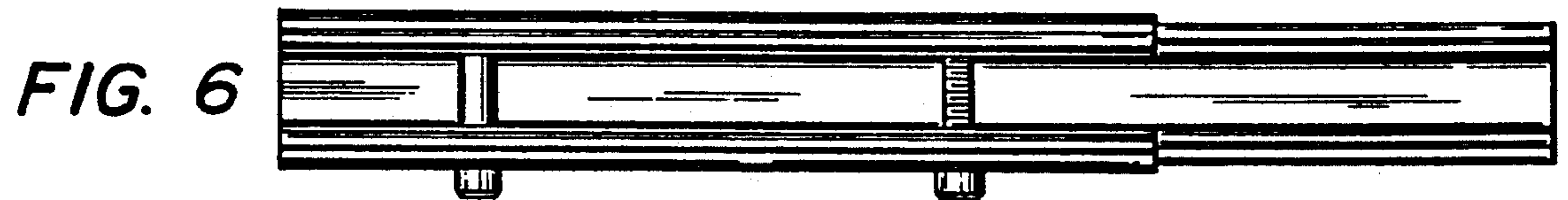


FIG. 6

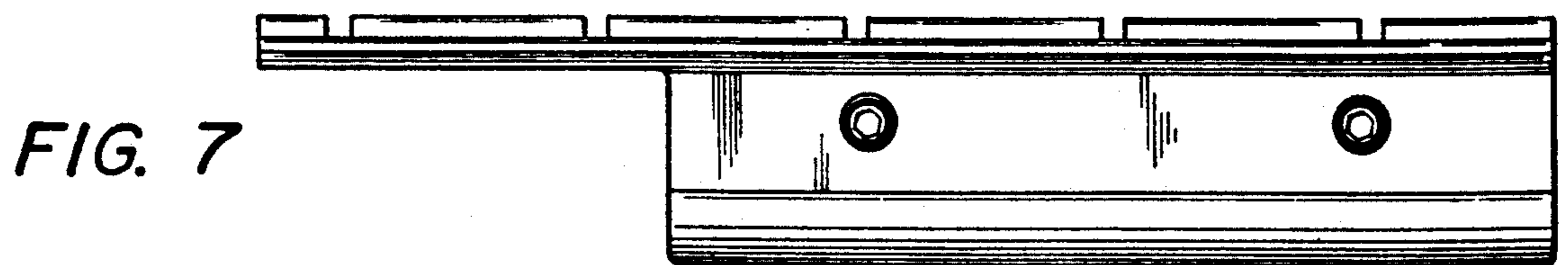


FIG. 7