

[54] TOY WATER GUN WITH TANK

[76] Inventor: Bruce M. D'Andrade, 3 Ten Eyck Rd., Whitehouse Station, N.J. 08889

[\*\*] Term: 14 Years

[21] Appl. No.: 530,980

[22] Filed: May 31, 1990

[52] U.S. Cl. .... D21/147

[58] Field of Search ..... 446/473, 180, 181; 42/54, 58; D21/145-147, 59; D23/225

[56] References Cited

U.S. PATENT DOCUMENTS

- D. 78,206 4/1929 Hermann ..... D23/225
- D. 191,686 10/1961 Johnson et al. .... D21/147
- D. 200,473 3/1965 Sawyer ..... D23/225
- D. 297,748 9/1988 Marino ..... D21/147

- D. 303,820 10/1989 Wong ..... D21/147
- 3,273,553 9/1966 Doyle ..... 446/473

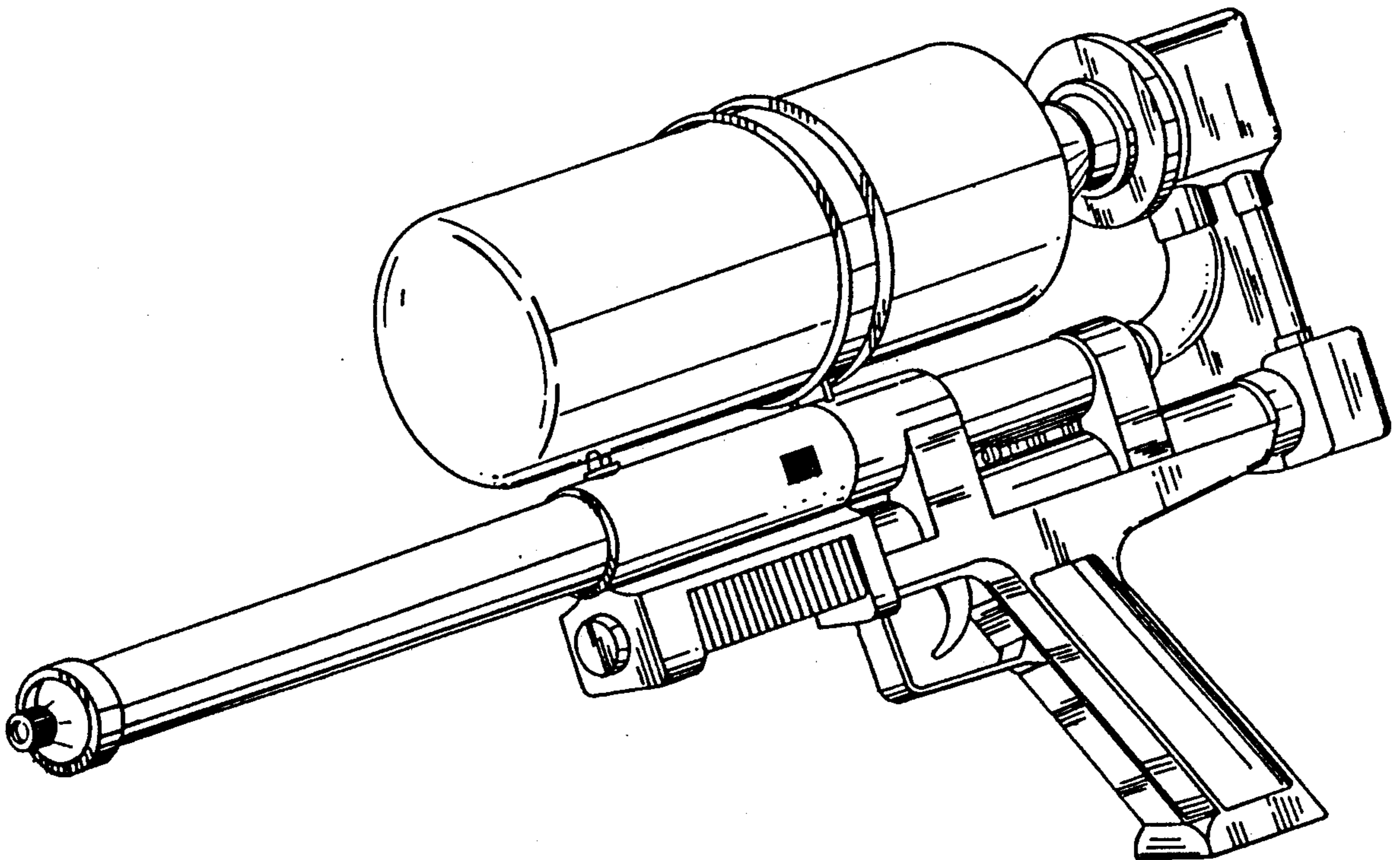
Primary Examiner—Charles A. Rademaker  
Attorney, Agent, or Firm—Kenneth P. Glynn; Eric A. LaMorte

[57] CLAIM

The ornamental design for a toy water gun with tank, as shown.

DESCRIPTION

FIG. 1 is a perspective of a toy water gun with tank showing my new design;  
 FIG. 2 is a front elevational view thereof;  
 FIG. 3 is a rear elevational view thereof;  
 FIG. 4 is a left side elevational view thereof;  
 FIG. 5 is a right side elevational view thereof;  
 FIG. 6 is a top plan view thereof; and  
 FIG. 7 is a bottom plan view thereof.



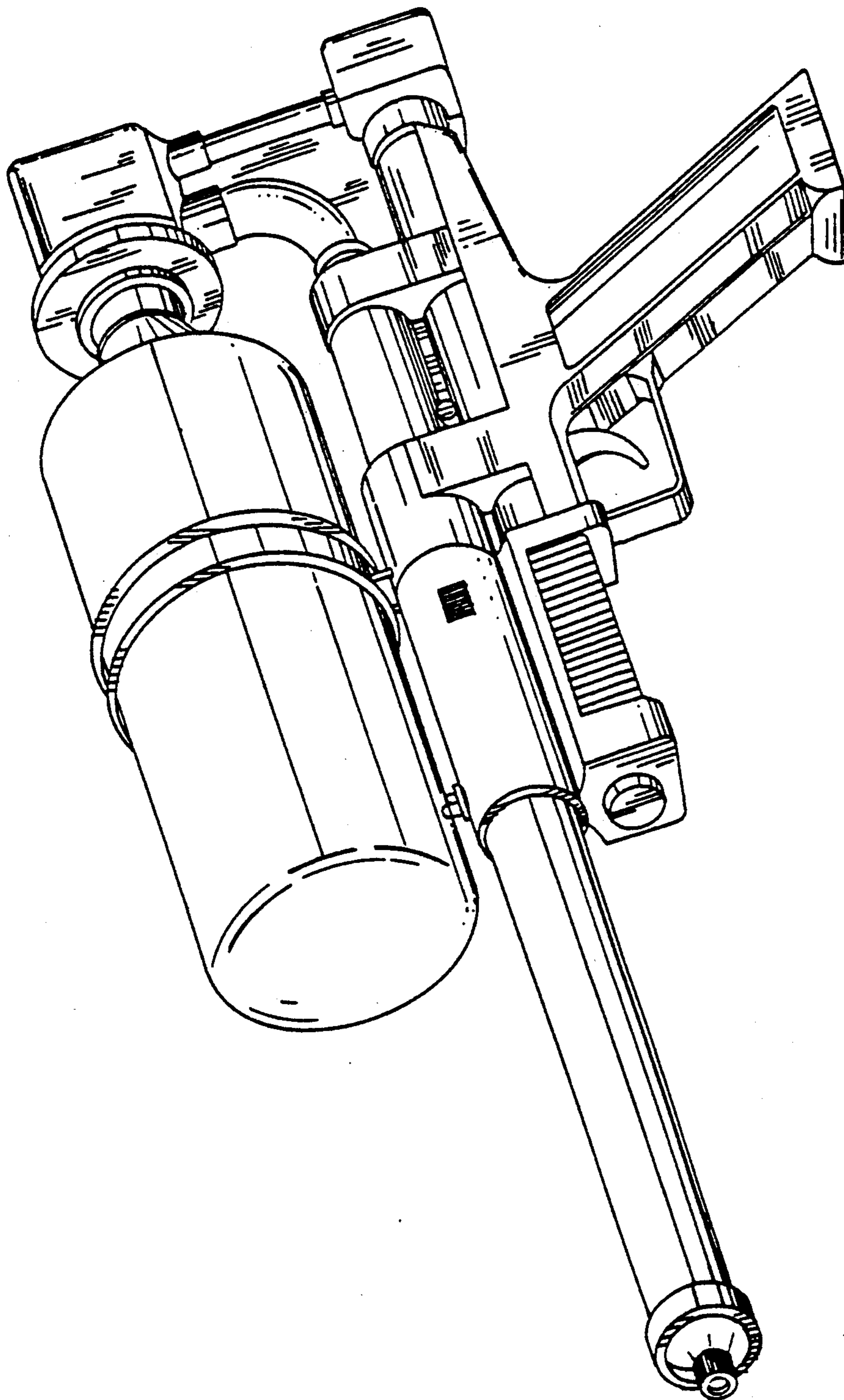


FIG. 1

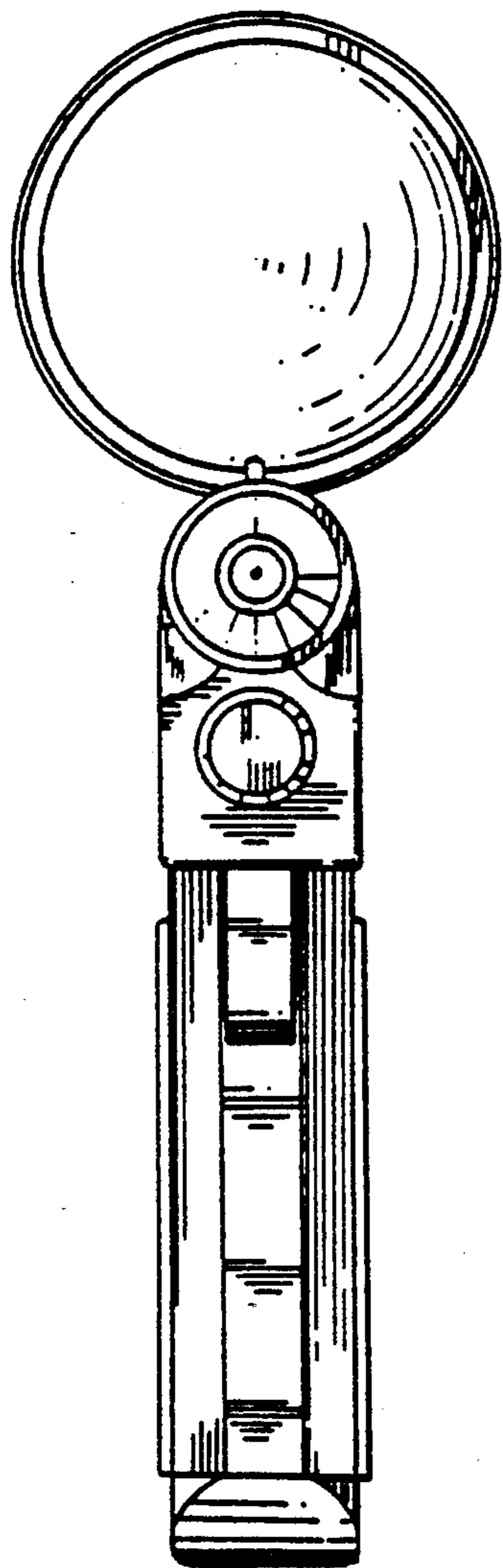


FIG. 2

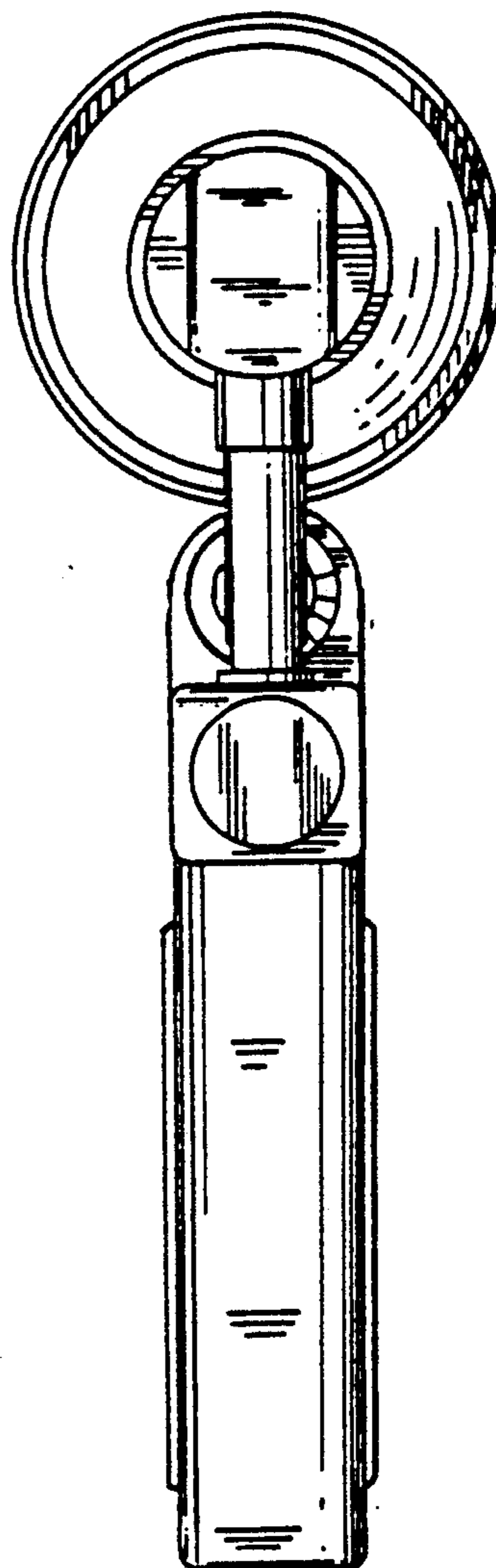


FIG. 3

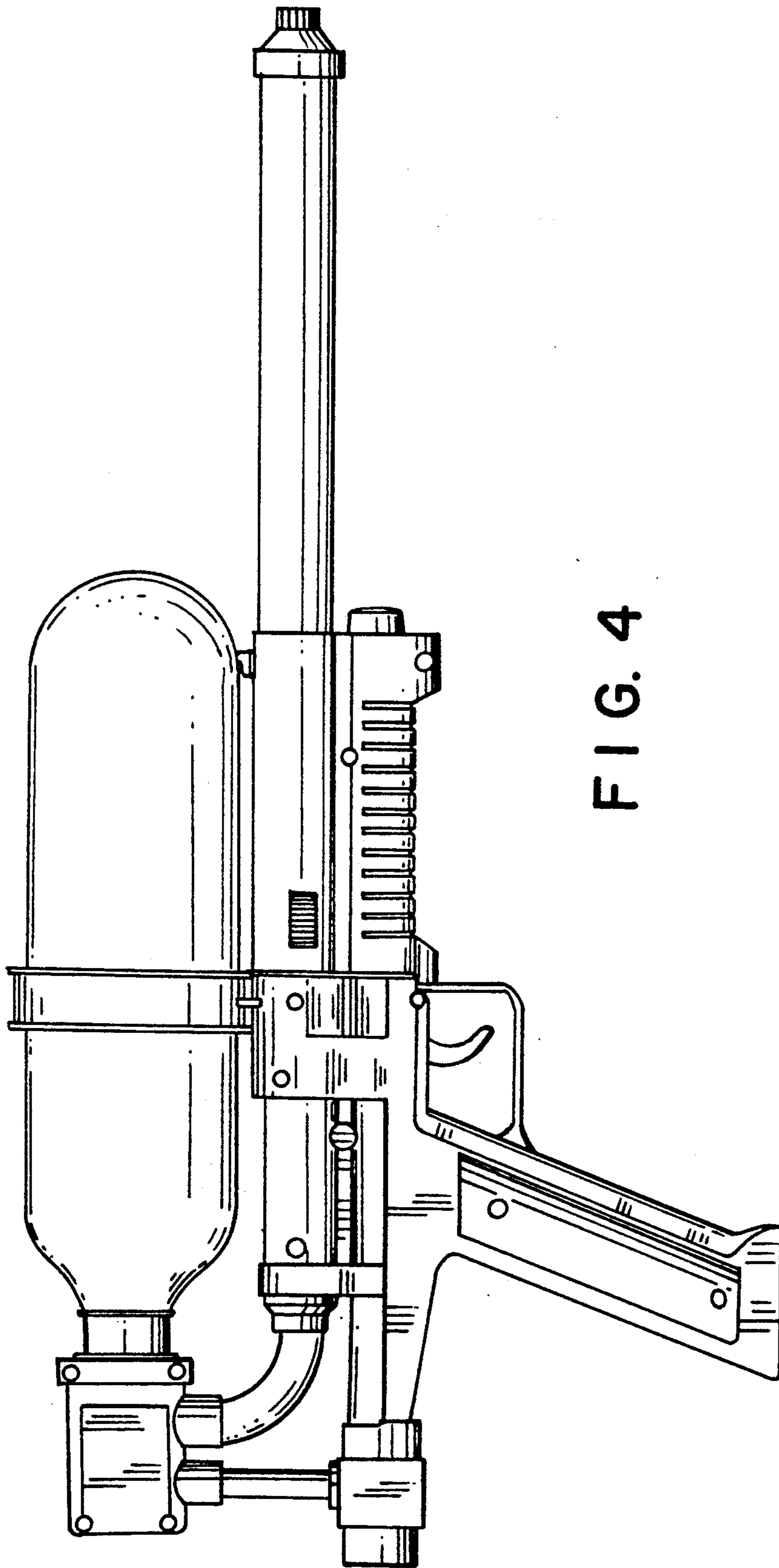


FIG. 4

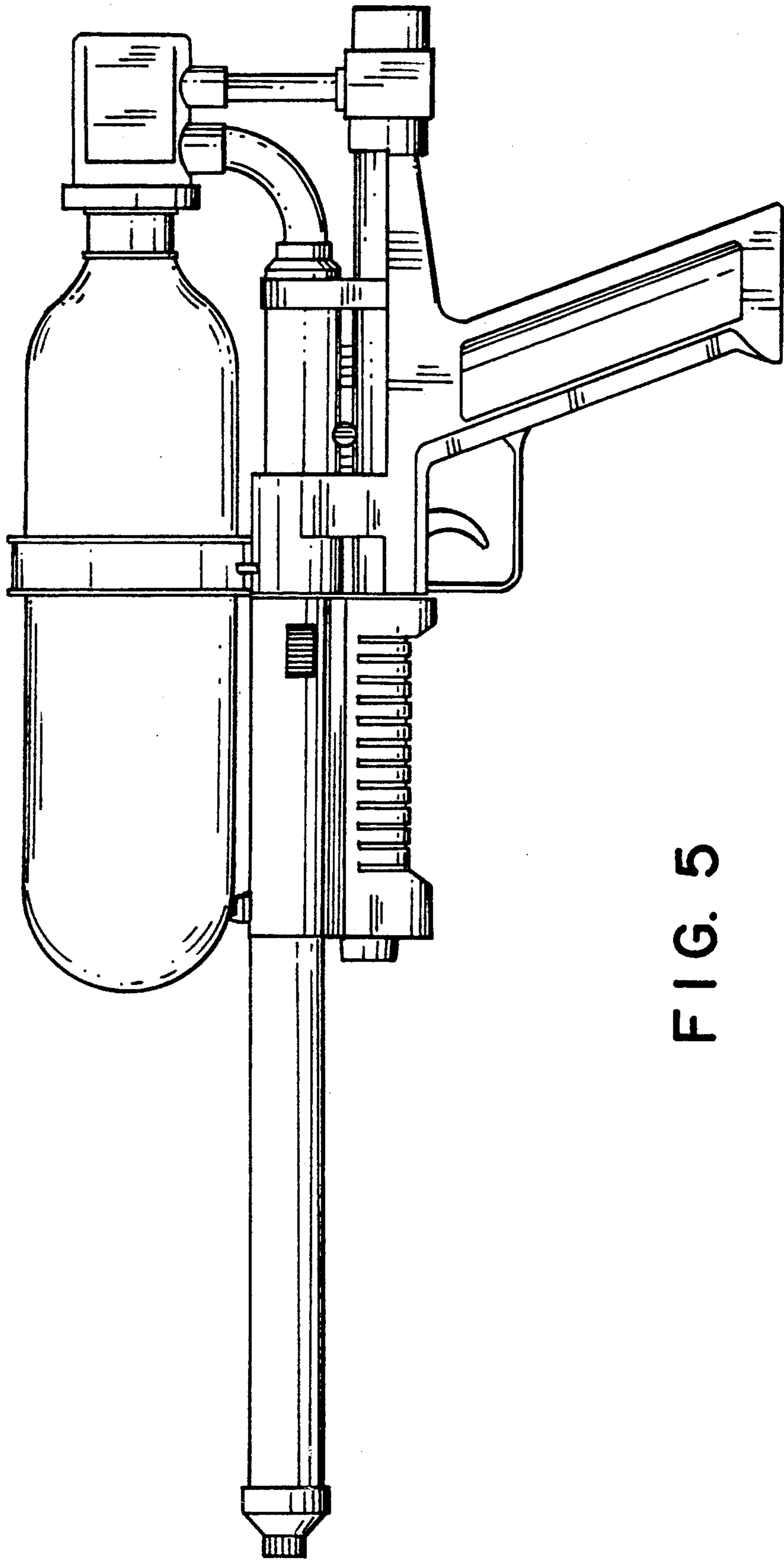


FIG. 5

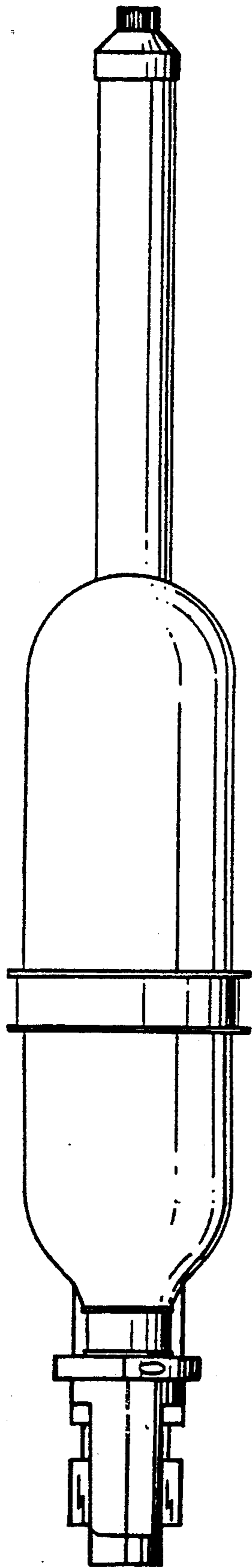


FIG. 6

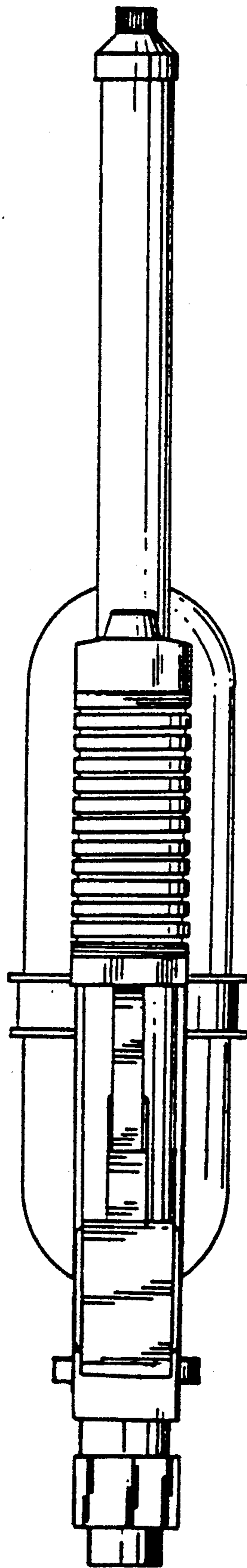


FIG. 7

UNITED STATES PATENT AND TRADEMARK OFFICE  
Certificate

Patent No. D. 318,309

Patented: July 16, 1991

On petition requesting issuance of a certificate for correction of inventorship pursuant to 35 U.S.C. 256, it has been found that the above identified patent, through error and without any deceptive intent, improperly sets forth the inventorship.

Accordingly, it is hereby certified that the correct inventorship of this patent is: Bruce M. D'Andrade, 3 Ten Eyck Road, Whitehouse Station, New Jersey 08889 and Lonnie G. Johnson, 4030 Ridgehurst Dr., Smyrna, Ga. 30080.

Signed and Sealed this Nineteenth Day of May, 1998.

TED SHOOMAN, *SPE*  
Art Unit 2912



US008318309B1

# REEXAMINATION CERTIFICATE (3313rd)

**United States Patent** [19]

[11] **B1 Des. 318,309**

**D'Andrade**

[45] Certificate Issued **Aug. 26, 1997**

[54] **TOY WATER GUN WITH TANK**

[51] **LOC (6) Cl.** ..... 21-01

[75] Inventor: **Bruce M. D'Andrade**, Whitehouse Station, N.J.

[52] **U.S. Cl.** ..... D21/147

[58] **Field of Search** ..... D21/147

[73] Assignee: **Larami Limited**, Mt. Laurel, N.J.

[56] **References Cited**

**Reexamination Request:**

No. 90/004,470, Nov. 27, 1996

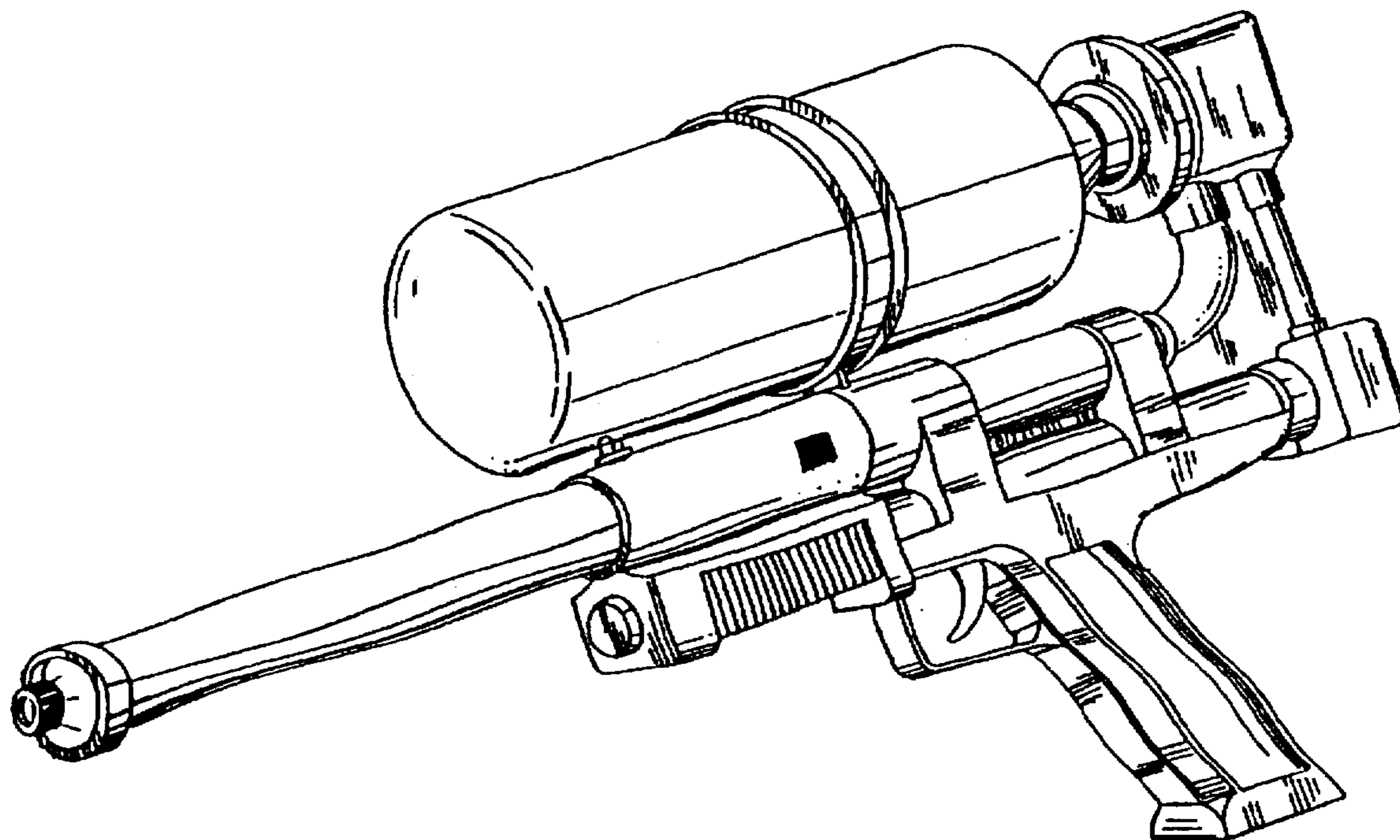
**PUBLICATIONS**

**Reexamination Certificate for:**

Patent No.: **Des. 318,309**  
Issued: **Jul. 16, 1991**  
Appl. No.: **530,980**  
Filed: **May 31, 1990**

Space Collectibles Buck Rogers to Apollo II Hake's Americana & Collectibles Apr. 1984.

*Primary Examiner*—R. Barkai





1

**REEXAMINATION CERTIFICATE  
ISSUED UNDER 35 U.S.C. 307**

NO AMENDMENTS HAVE BEEN MADE TO  
THE PATENT

2

AS A RESULT OF REEXAMINATION, IT HAS BEEN  
DETERMINED THAT:

The patentability of the claim is confirmed.

\* \* \* \* \*