

[54] TOY CAR

[75] Inventor: Chin H. Leong, Kowloon, Hong Kong

[73] Assignee: Far East Toys & Novelties Manufacturing Ltd., Chaiwan, Hong Kong

[**] Term: 14 Years

[21] Appl. No.: 464,778

[22] Filed: Jan. 16, 1990

[30] Foreign Application Priority Data

Aug. 3, 1989 [GB] United Kingdom 2000096

[52] U.S. Cl. D21/137

[58] Field of Search D21/136, 137; D12/88, D12/86; 446/444, 446, 454, 455, 456, 470

[56] References Cited

U.S. PATENT DOCUMENTS

- D. 223,344 4/1972 Kachler D12/88
- D. 227,385 6/1973 Wood D21/137
- D. 255,810 7/1980 Bretschger D21/137
- D. 260,913 9/1981 Chapman D12/88

- D. 261,672 11/1981 Phillipe D12/88
- D. 266,779 11/1982 Appel et al. D21/137
- D. 268,940 5/1983 Head D12/88

OTHER PUBLICATIONS

- Hong Kong Toys '88 p. 387 #92886.
- Hong Kong Toys '88 p. 31 #1363.
- Hong Kong Toys '88 p. 86 #16.
- Monogram Catalog 1987 p. 43 Toy Fair '87 #1135.

Primary Examiner—Charles A. Rademaker

Assistant Examiner—R. Barkai

Attorney, Agent, or Firm—Burns, Doane, Swecker & Mathis

[57] CLAIM

The ornamental design for a toy car, as shown and described.

DESCRIPTION

FIG. 1 is the perspective view showing my new design; FIG. 2 is the front elevational view thereof; FIG. 3 is the rear elevational view thereof; FIG. 4 is the right side elevational view thereof, the side opposite being substantially a mirror image; FIG. 5 is the top plan view thereof; and FIG. 6 is the bottom plan view thereof.

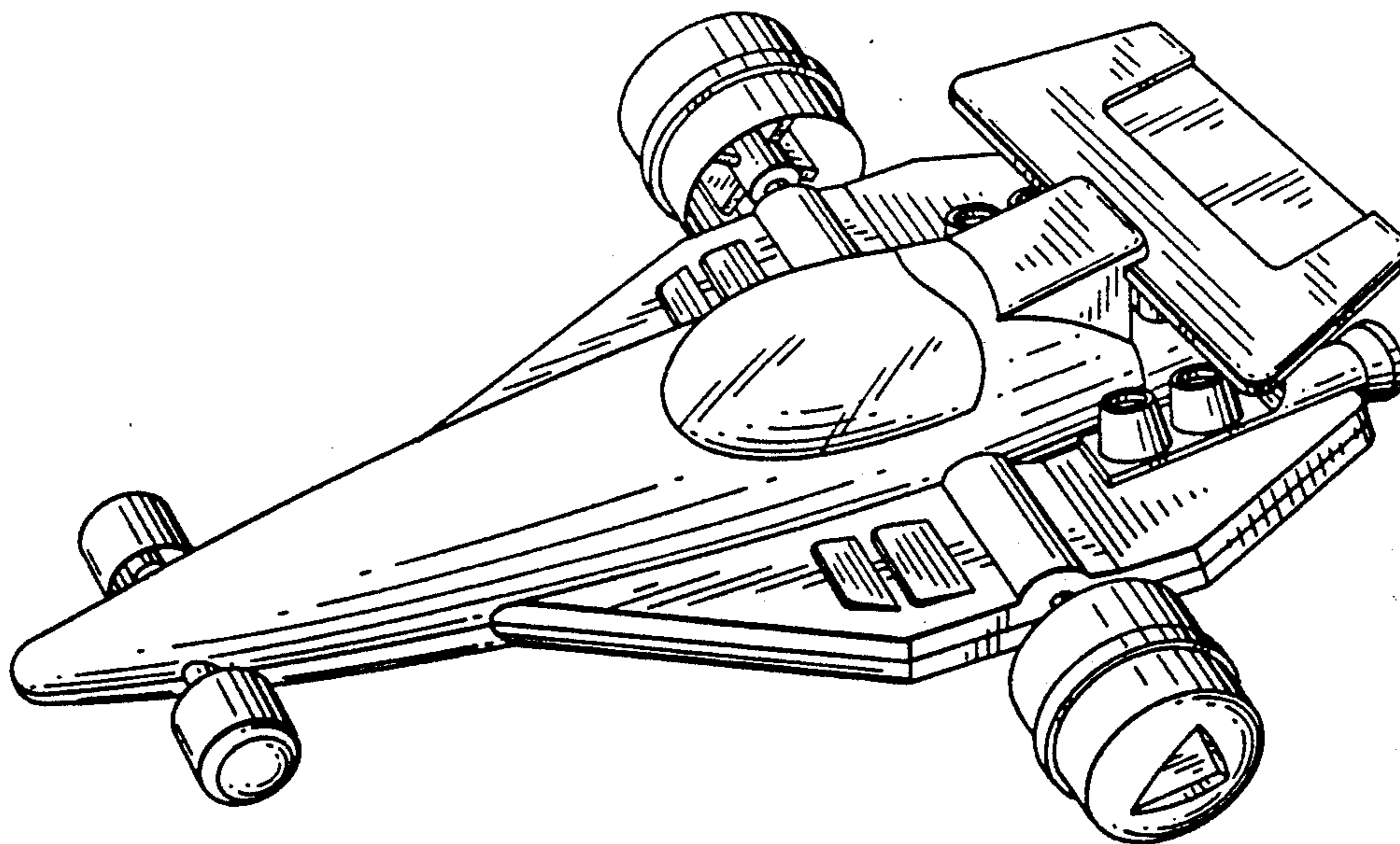


FIG. 1

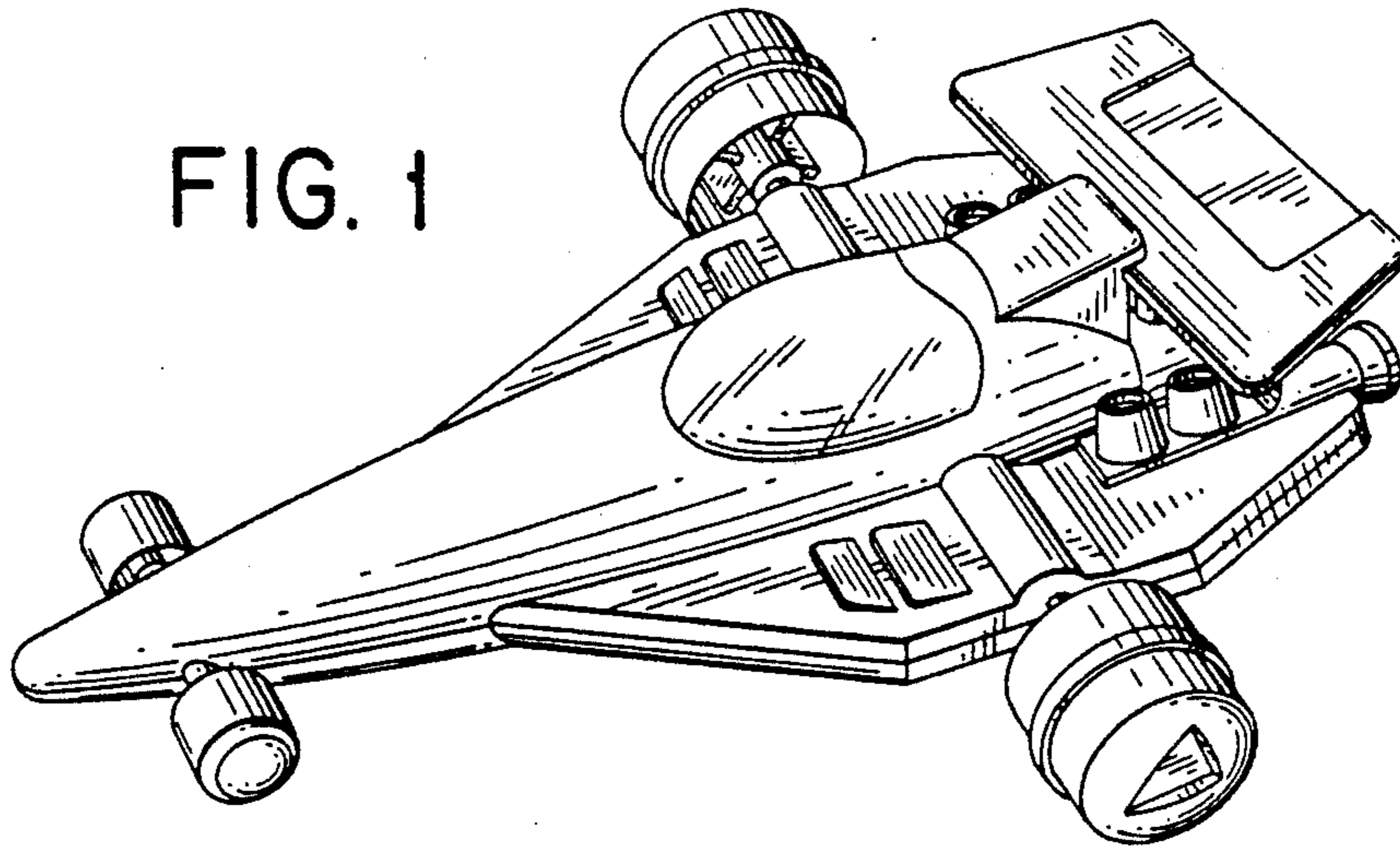


FIG. 2

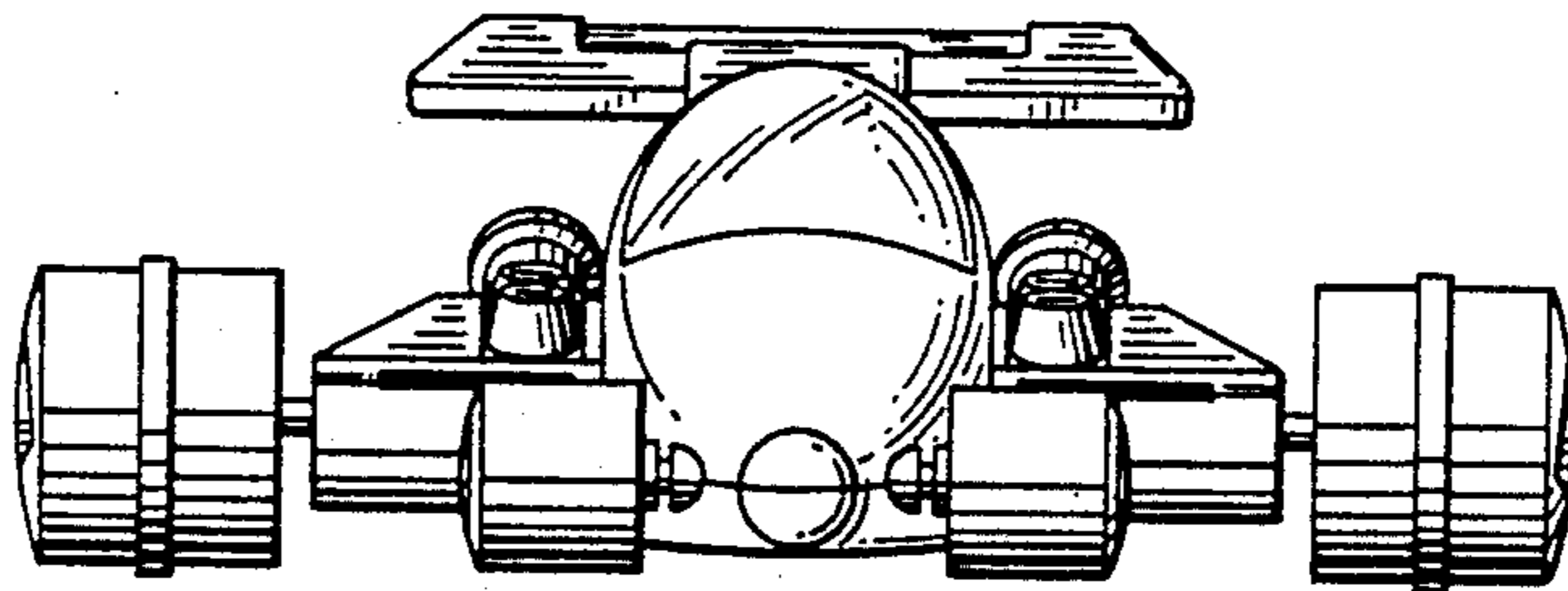
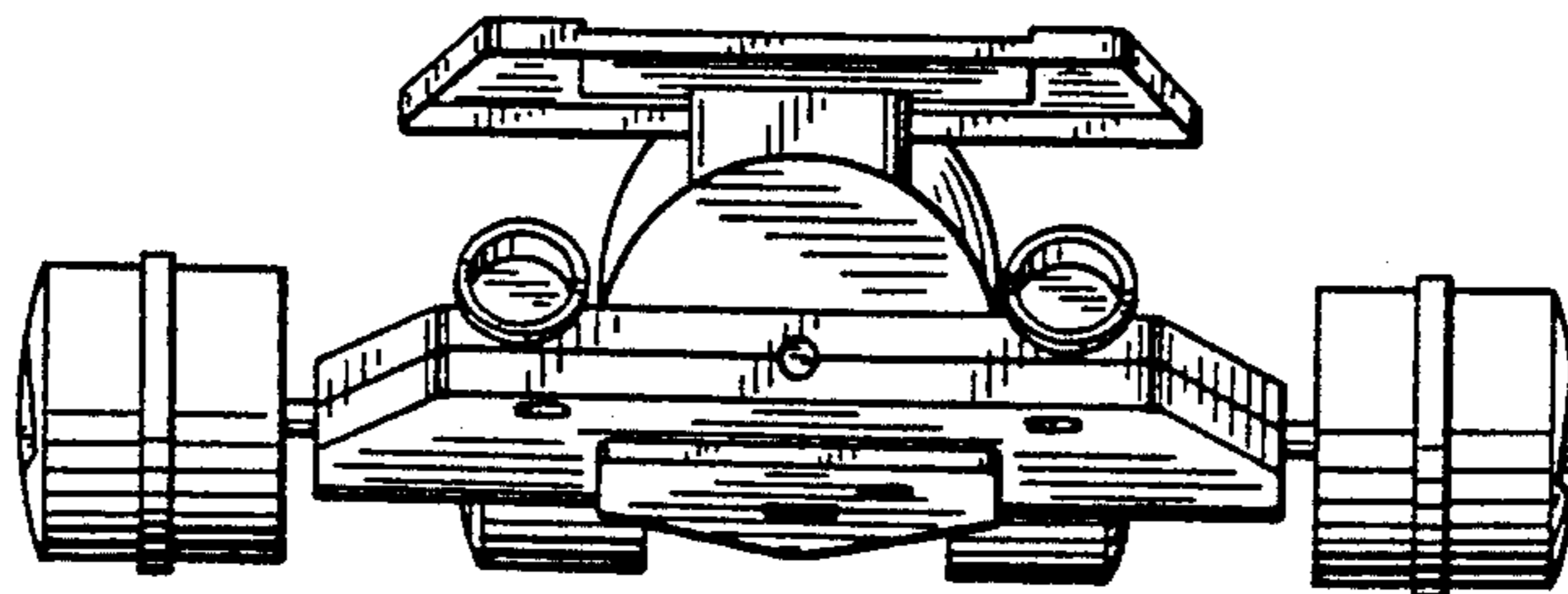


FIG. 3



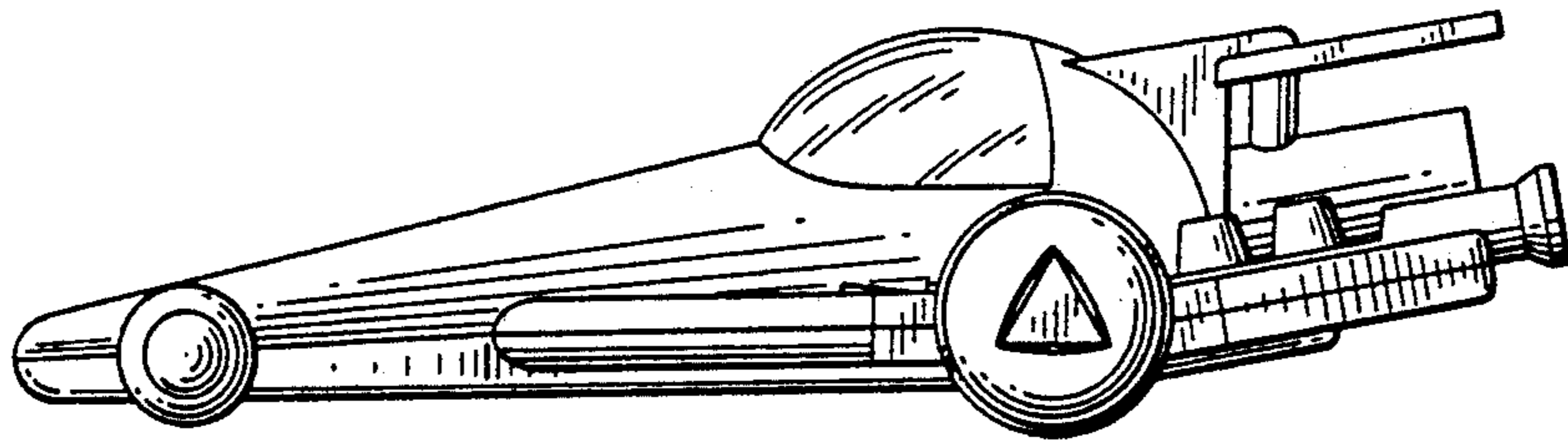


FIG. 4

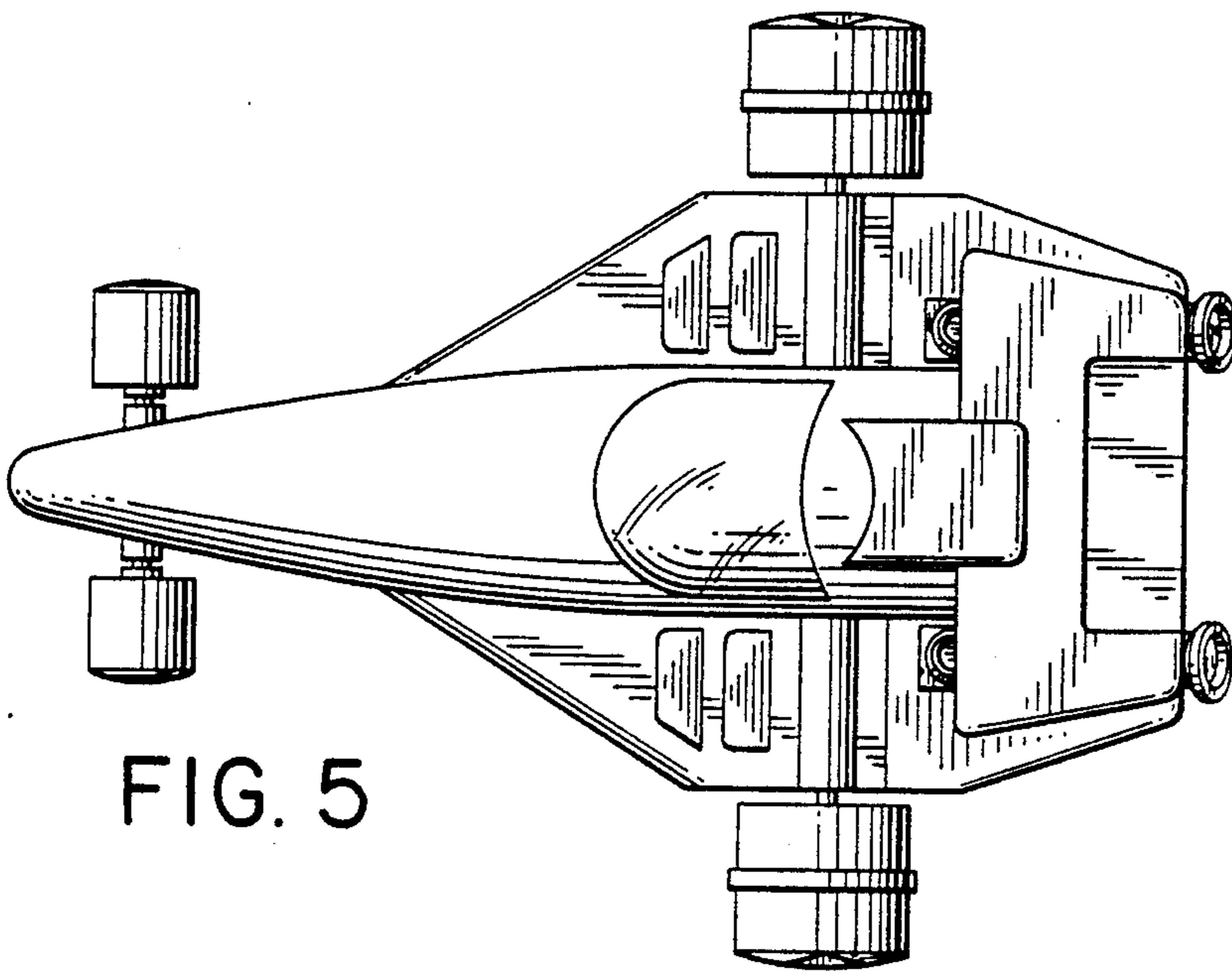


FIG. 5

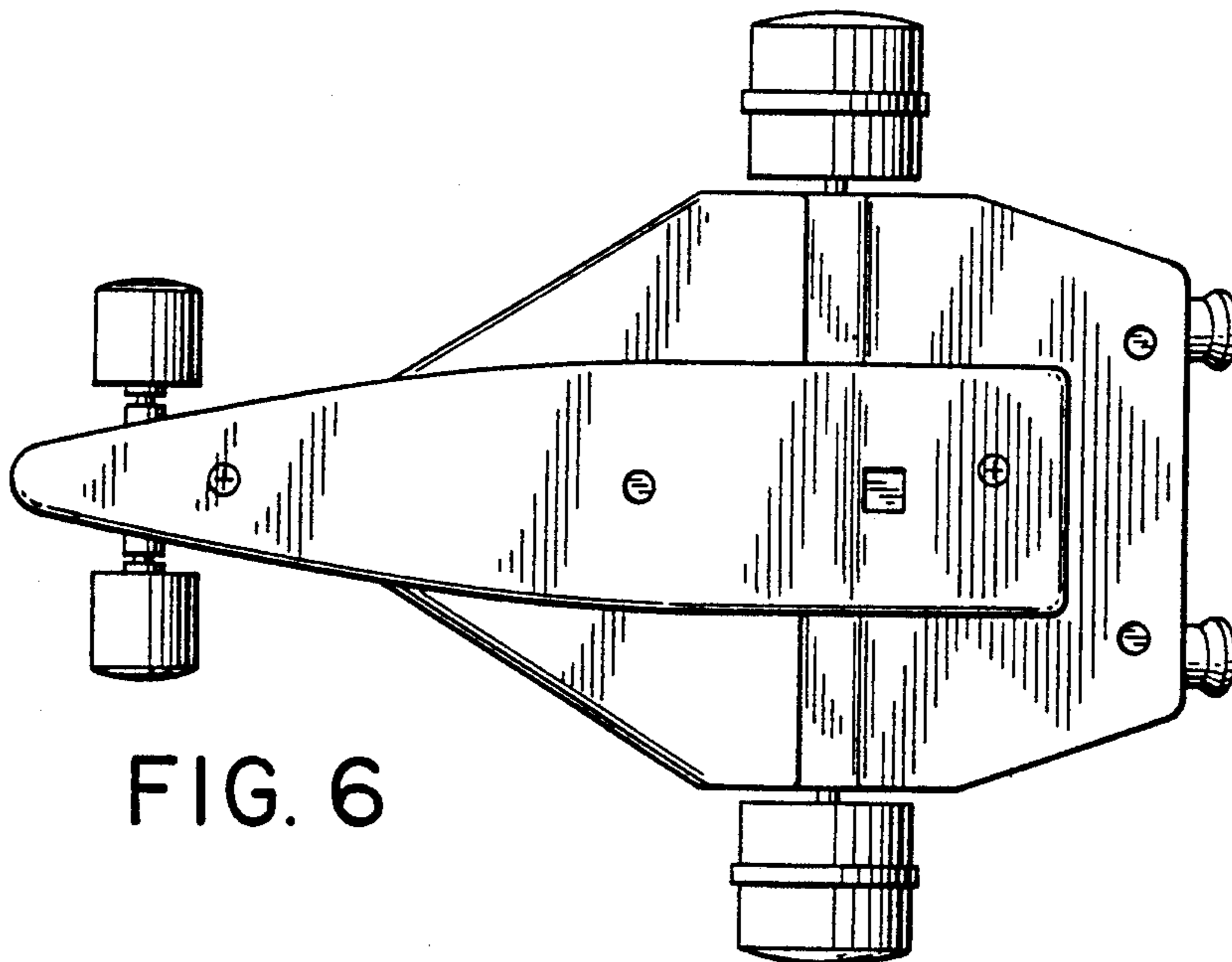


FIG. 6