

[54] COMBINED TOY NURSERY TABLE AND ROCKING CRADLE

[75] Inventors: Daniel G. Hahn, Olney, Ill.; Tony R. Maness, Booneville, Ark.

[73] Assignee: Today's Kids, Booneville, Ark.

[**] Term: 14 Years

[21] Appl. No.: 290,908

[22] Filed: Dec. 28, 1988

[52] U.S. Cl. D21/121; D6/390; D21/123

[58] Field of Search D21/121, 123; D6/390, D6/391, 385, 397; 446/479, 482

[56] References Cited

U.S. PATENT DOCUMENTS

D. 93,203	5/1933	Burst	D21/123
D. 142,348	5/1945	Penndorf	D6/385
D. 176,930	2/1956	Saba	D6/390
D. 235,705	7/1975	Pierson	D6/390
D. 255,960	7/1980	Sedillo	D6/385
2,553,862	5/1951	Morris	D6/390

OTHER PUBLICATIONS

Lewis of London Catalog, 1960, p. 3, "B".
Popular Mechanics, p. 101, 1943, top.
N. D. Cass Sales Co. 1972-73 Catalog, p. 26.

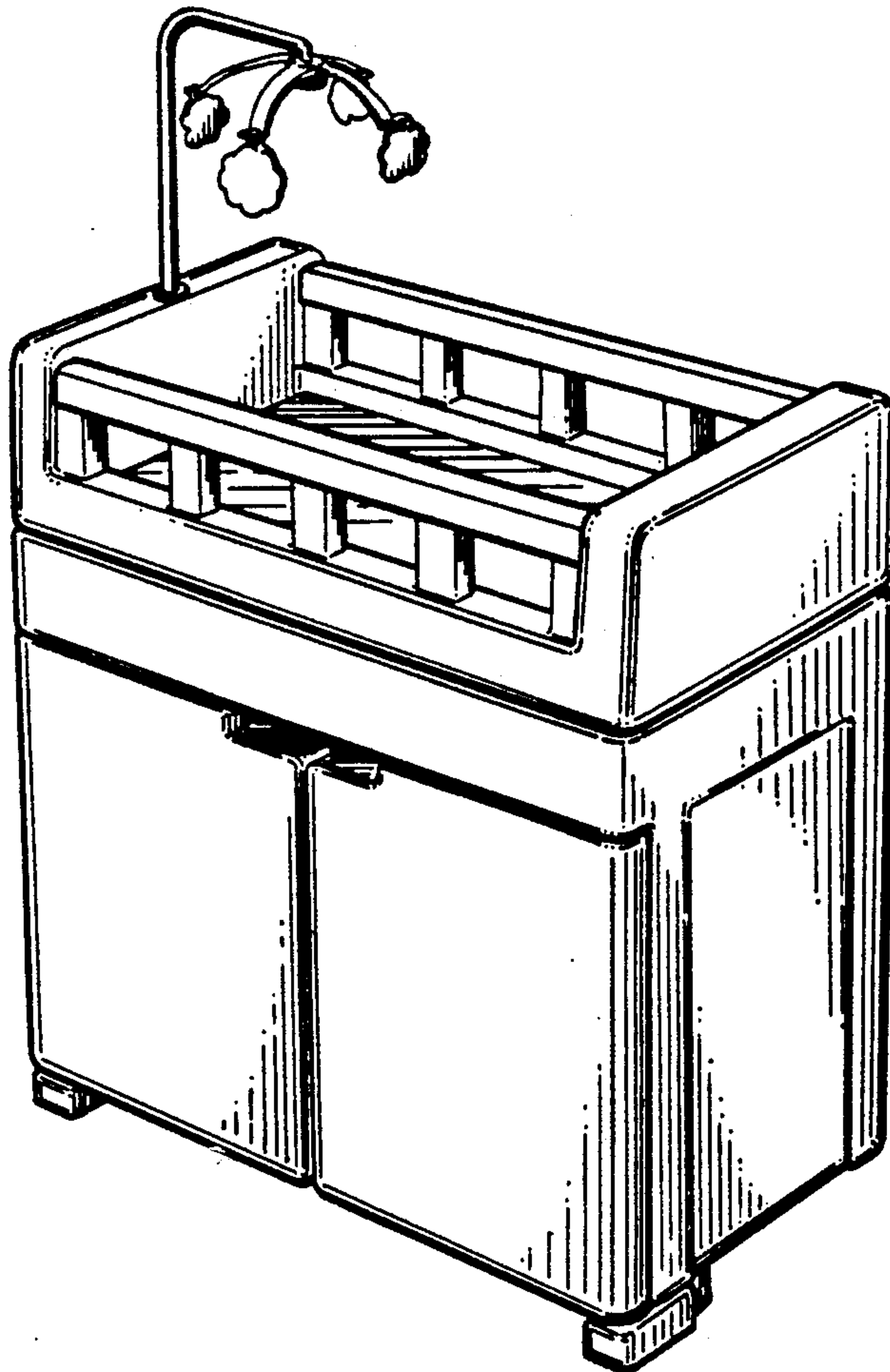
Primary Examiner—Charles A. Rademaker
Assistant Examiner—R. Barkai

[57] CLAIM

The ornamental design for a combined toy nursery table and rocking cradle, as shown and described.

DESCRIPTION

FIG. 1 is a perspective view of a combined toy nursery table and rocking cradle showing our new design; FIG. 2 is a top plan view thereof on a reduced scale; FIG. 3 is a front elevational view thereof on a reduced scale; FIG. 4 is a left side elevational view thereof on a reduced scale, the right side being substantially a mirror image; FIG. 5 is a rear elevational view thereof on a reduced scale; FIG. 6 is a bottom plan view thereof on a reduced scale; FIG. 7 is another perspective view thereof with the toy rocking cradle shown in an exploded condition.



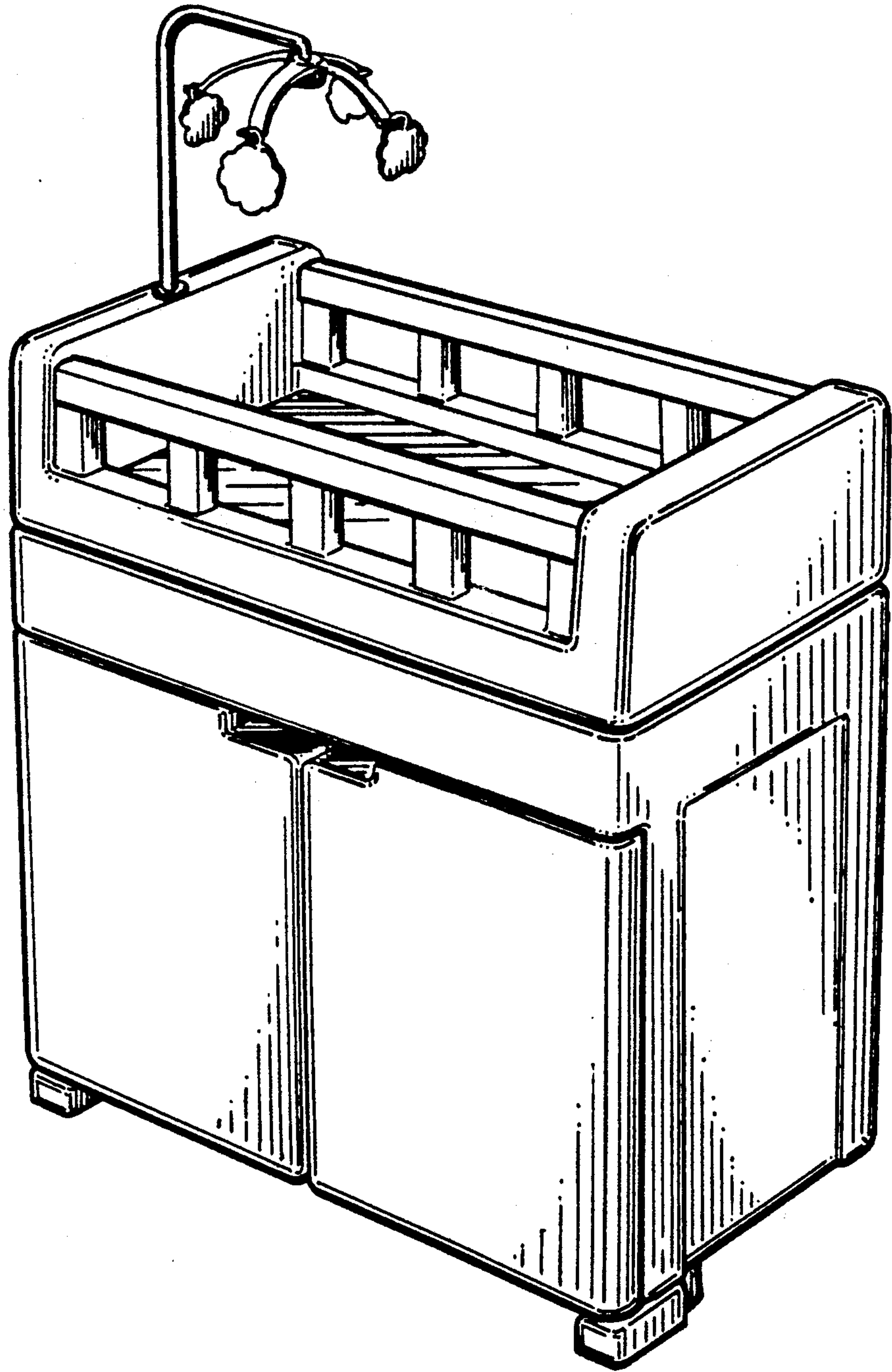


FIG. 1

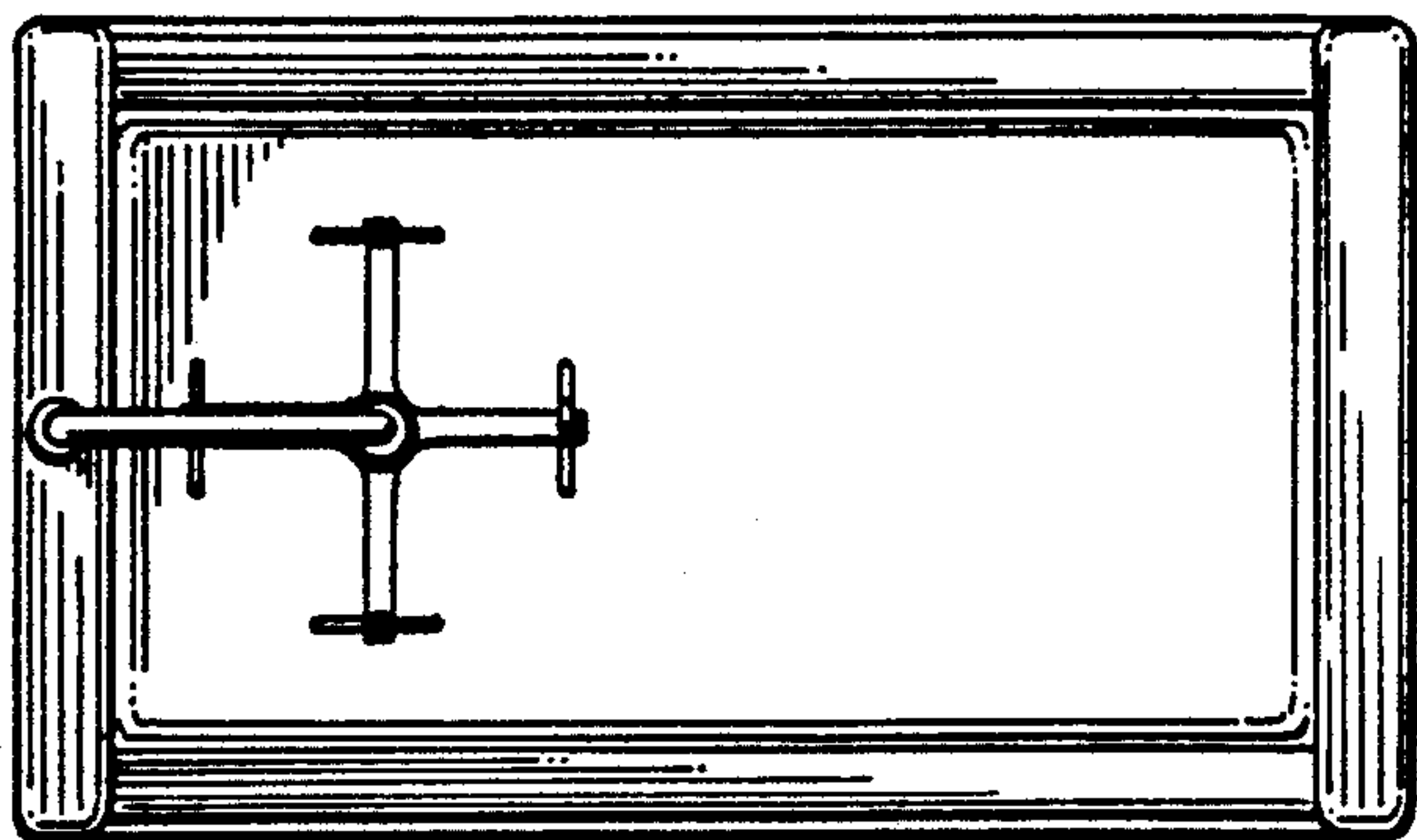


FIG. 2

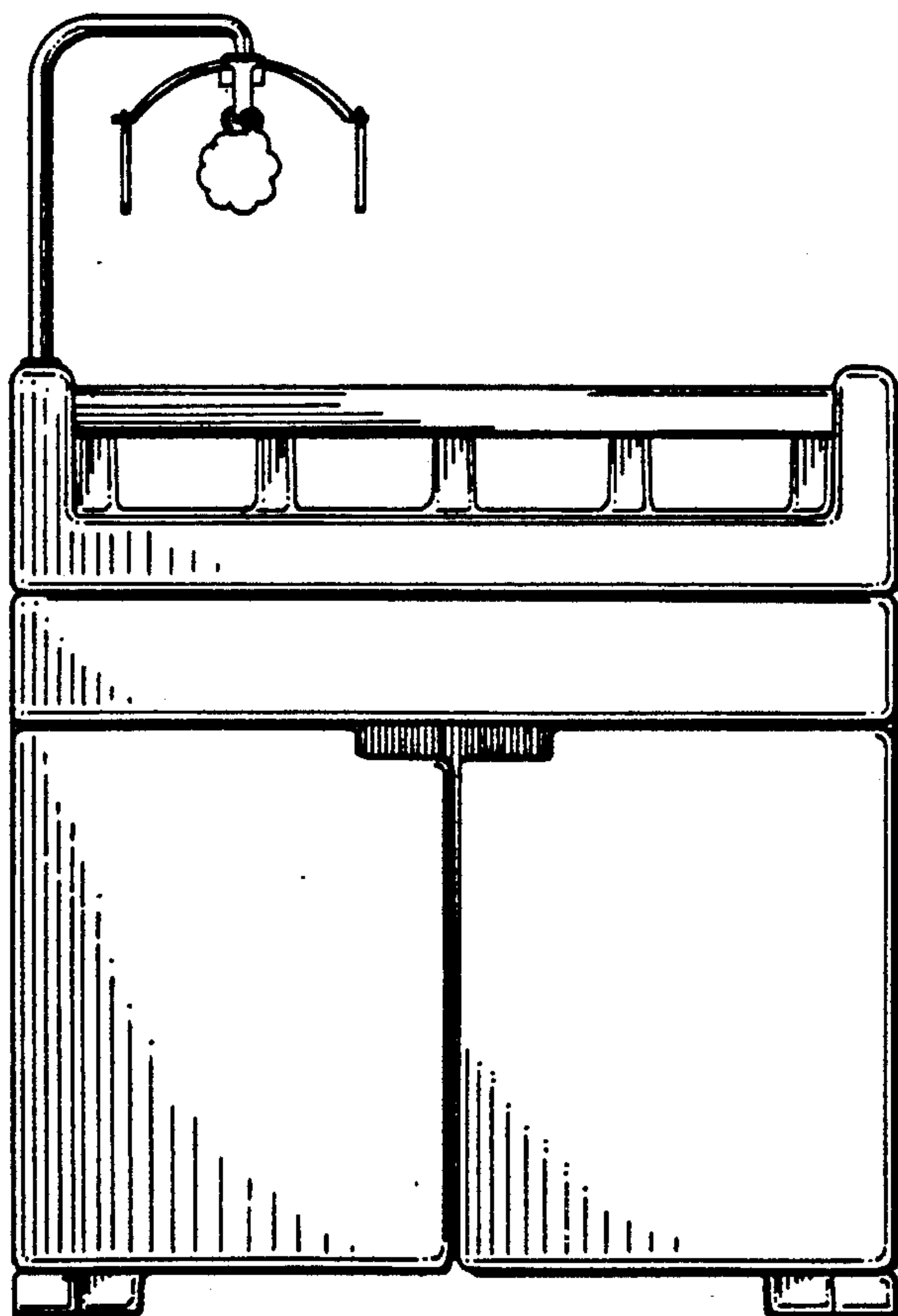


FIG. 3

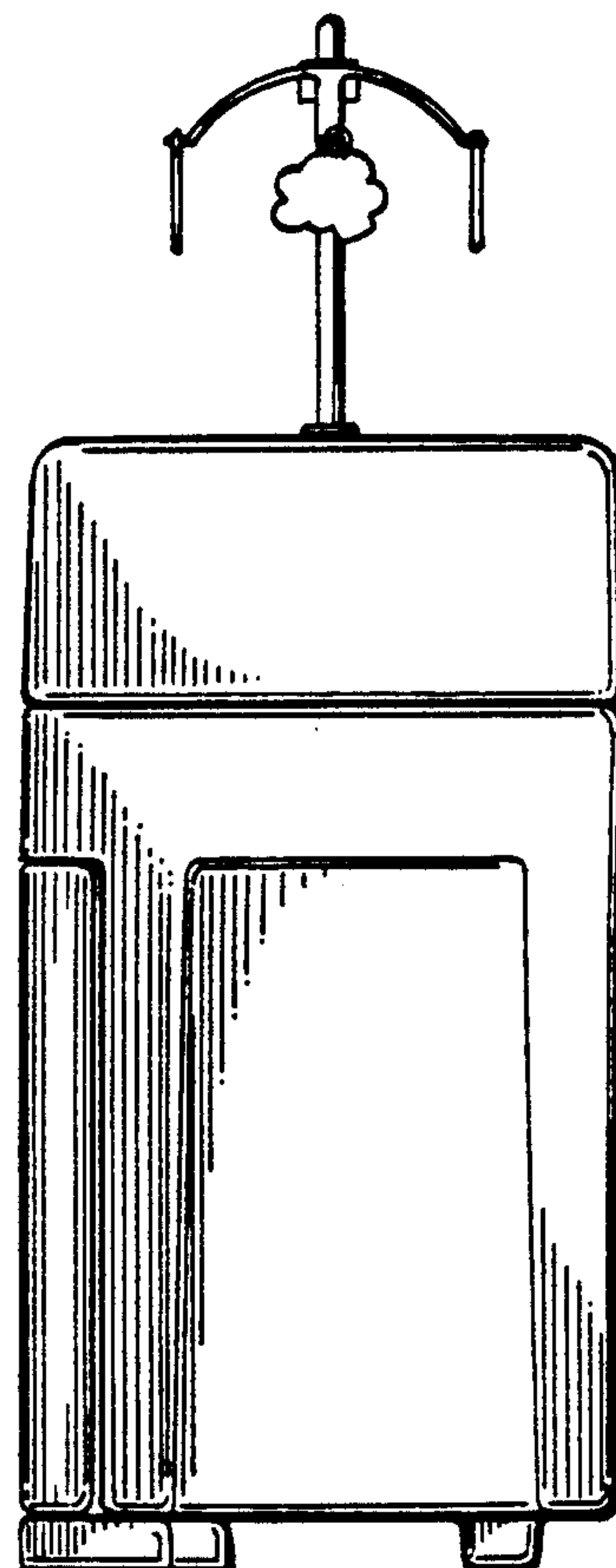


FIG. 4

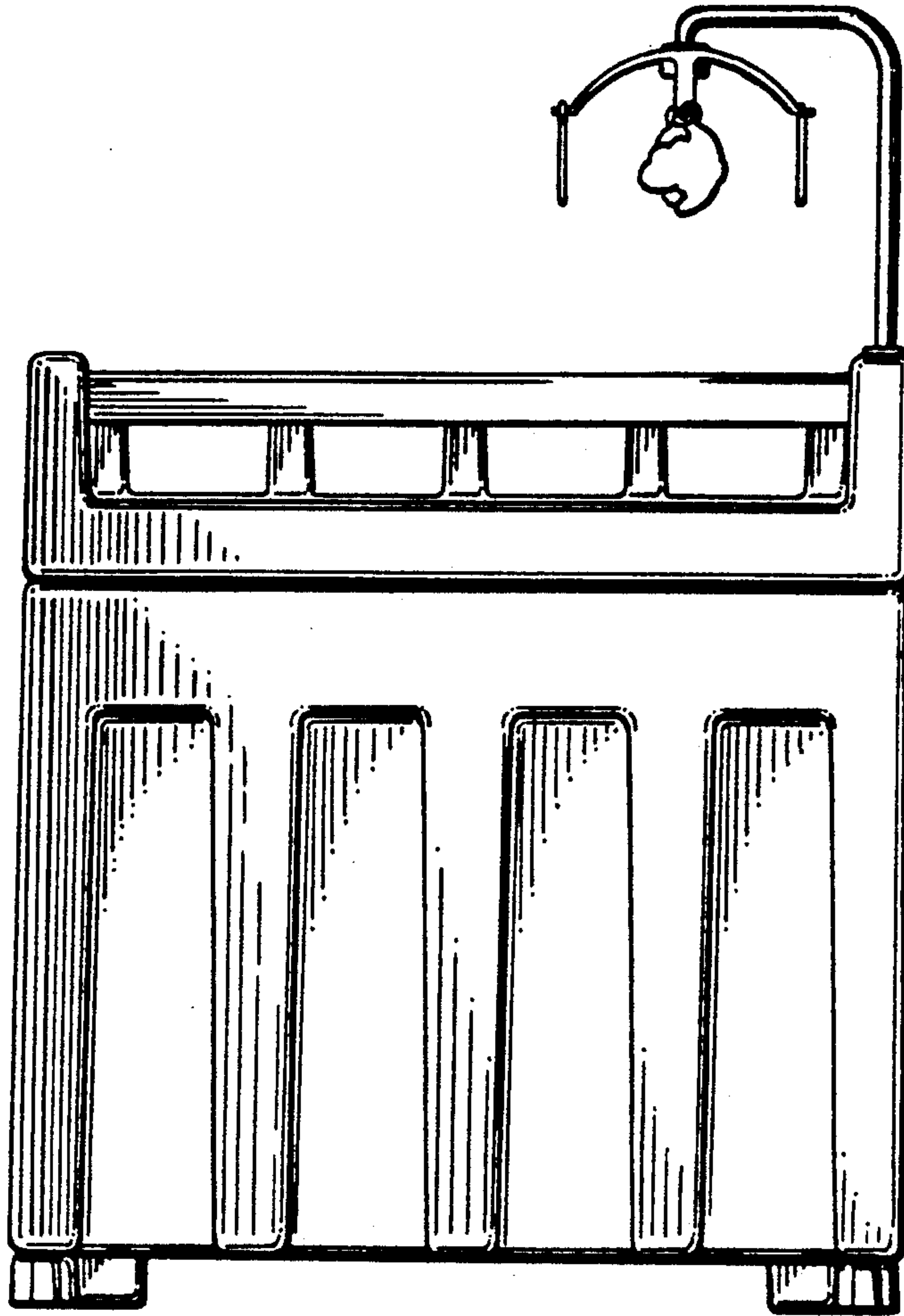


FIG. 5

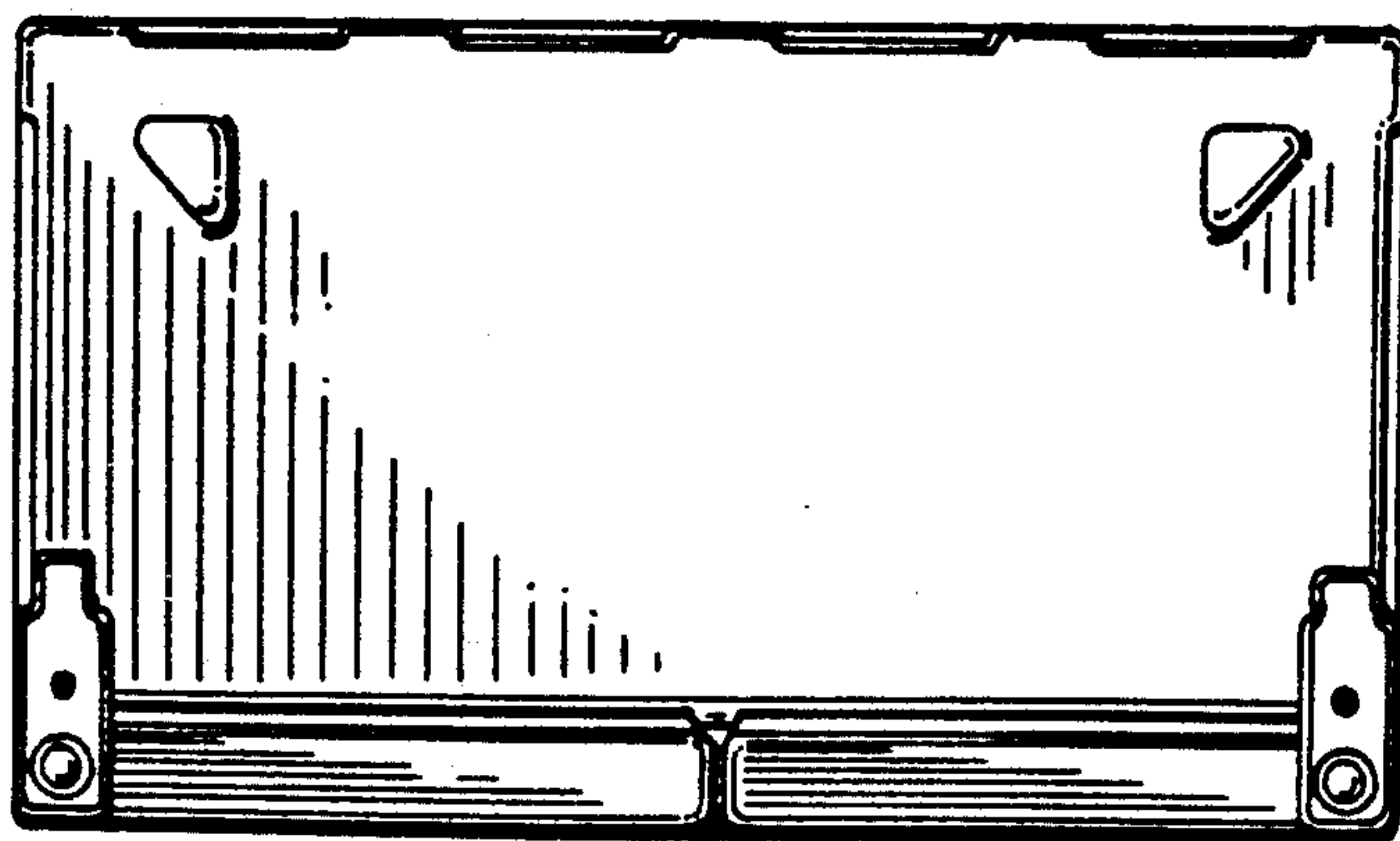


FIG. 6

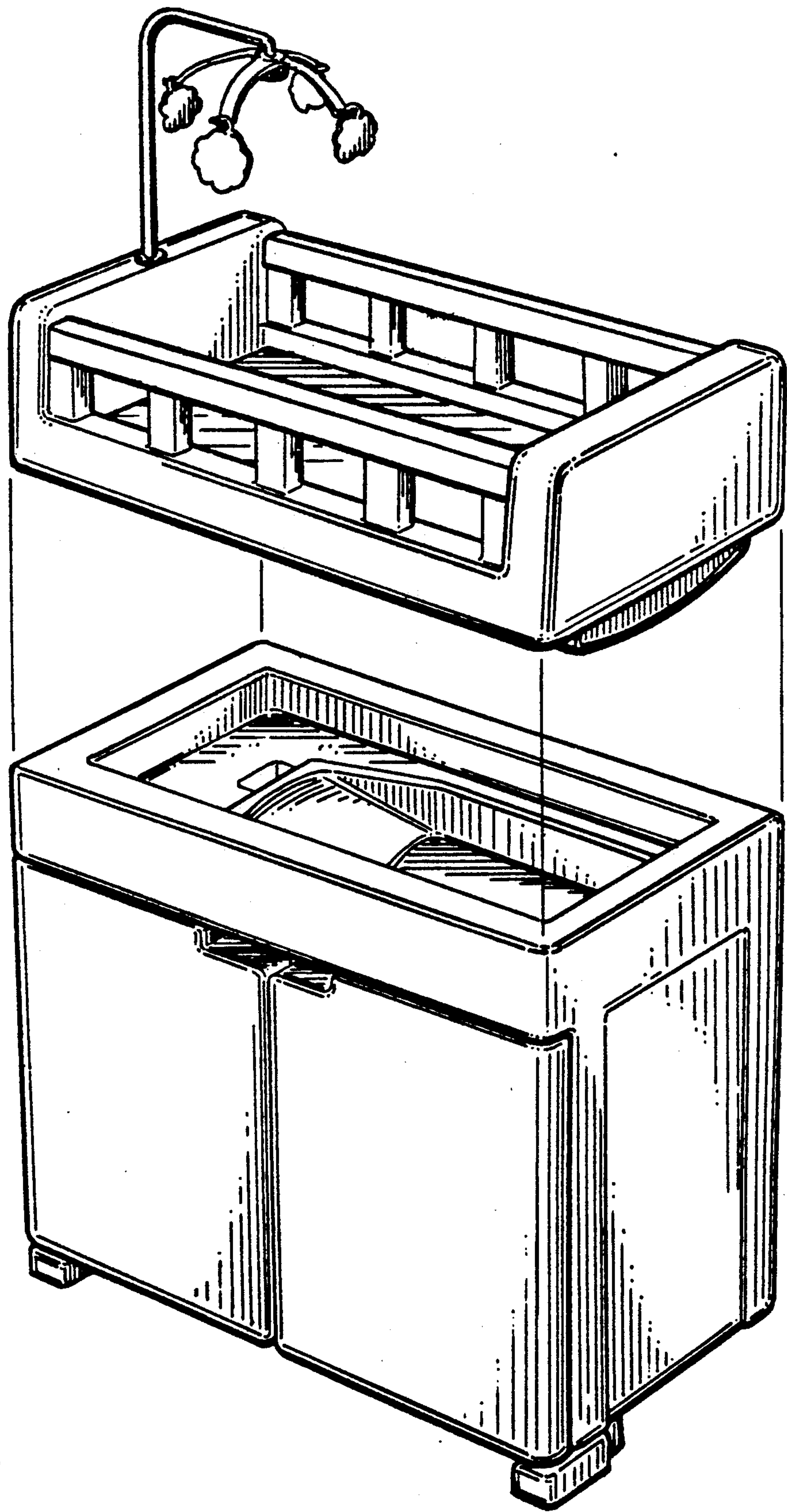


FIG. 7