

United States Patent [19]

Murphy

[11] **Patent Number: Des. 318,301**

[45] **Date of Patent: ** Jul. 16, 1991**

[54] **TOSS GAME TARGET**

[76] **Inventor: D. Patrick Murphy, Rte. 1, Box 417, Grain Valley, Mo. 64029**

[**] **Term: 14 Years**

[21] **Appl. No.: 194,724**

[22] **Filed: May 17, 1988**

[52] **U.S. Cl. D21/5**

[58] **Field of Search D21/1, 5, 20; D6/419, D6/420; D19/52; 273/396, 400, 401, 410**

[56] **References Cited**

U.S. PATENT DOCUMENTS

D. 107,744	1/1938	Centerbar	D21/5
D. 118,938	2/1940	Hawkins et al.	D21/5
D. 118,939	2/1940	Hawkins et al.	D21/5
D. 215,665	10/1969	Gjede	D6/419
D. 239,949	5/1976	Trombetto	D21/5
D. 259,335	5/1981	Gillespie	D21/5

4,583,744	4/1986	Tolliver et al.	273/396
4,618,120	10/1986	Wattles	D6/419

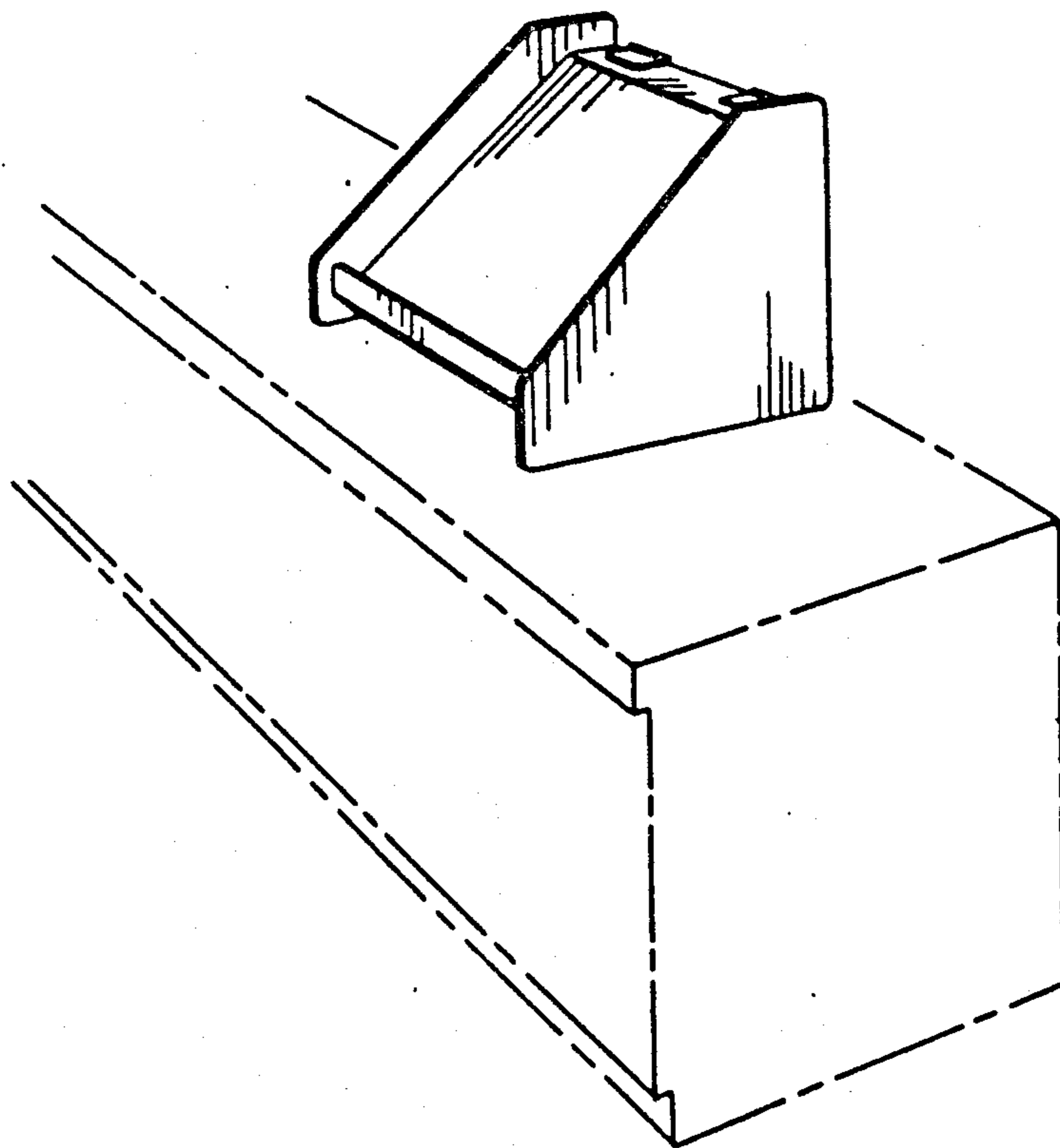
Primary Examiner—Melvin B. Feifer
Assistant Examiner—Philip Hyder
Attorney, Agent, or Firm—Litman, McMahon & Brown

[57] **CLAIM**

The ornamental design for a toss game target, as shown and described.

DESCRIPTION

FIG. 1 is a perspective view of a toss game target showing my new design, the broken line showing of the cabinet being for illustrative purposes only; FIG. 2 is a front elevational view thereof; FIG. 3 is a back elevational view thereof; FIG. 4 is a top plan view thereof; FIG. 5 is a side elevational view of the left side of the toss game, the right side being a mirror image thereof; and FIG. 6 is a bottom plan view thereof.



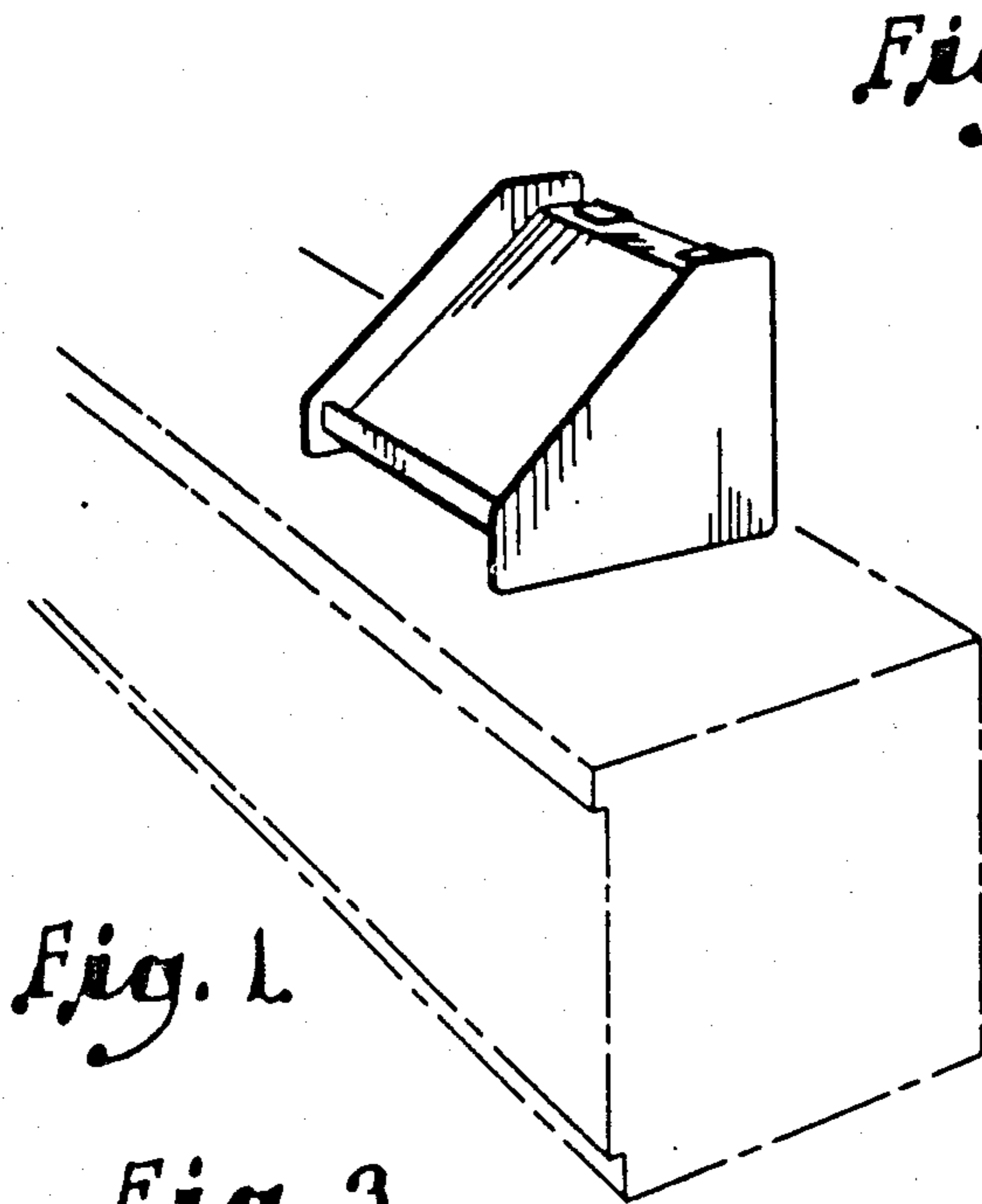


Fig. 1.

Fig. 2.

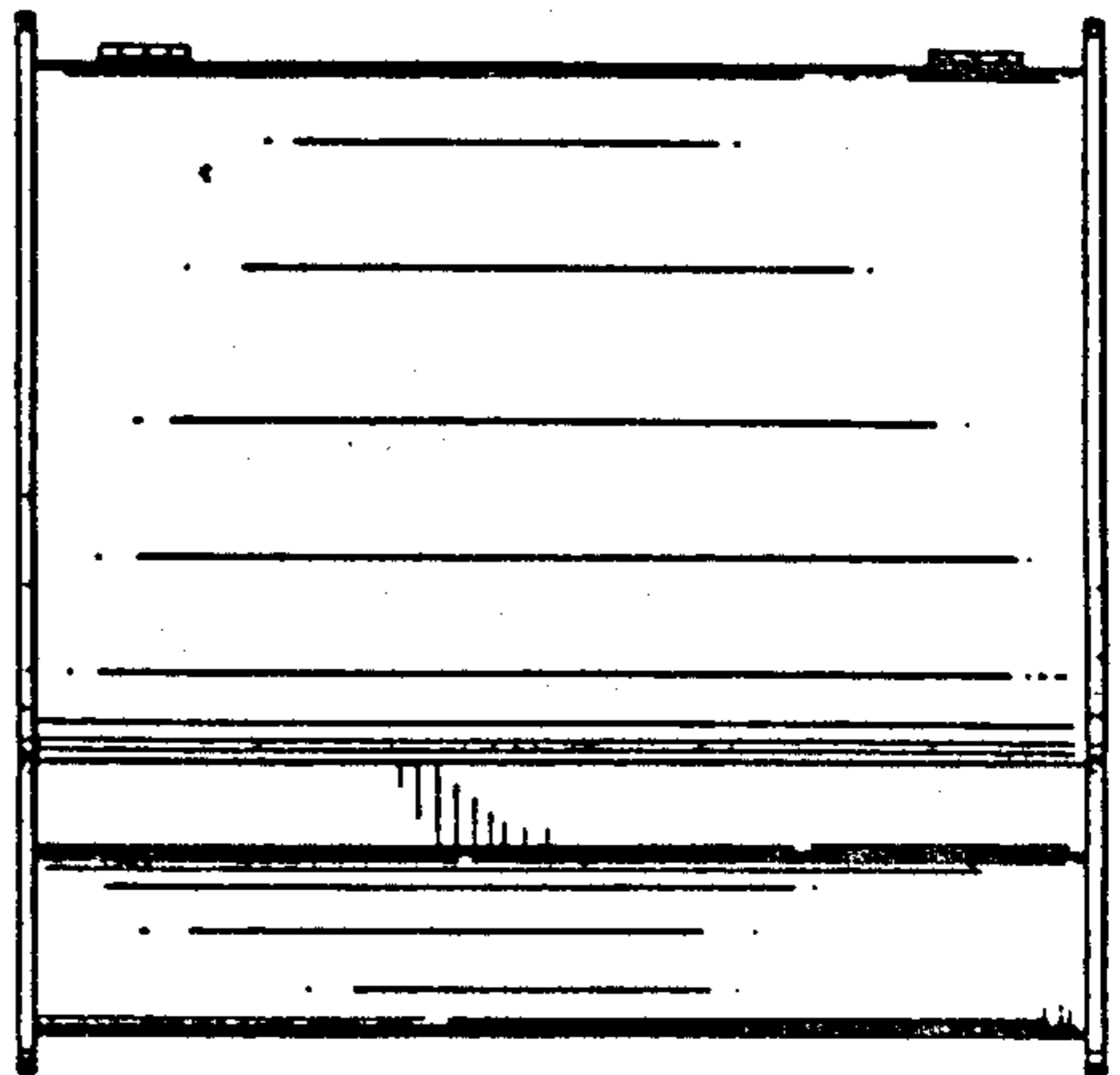


Fig. 3.

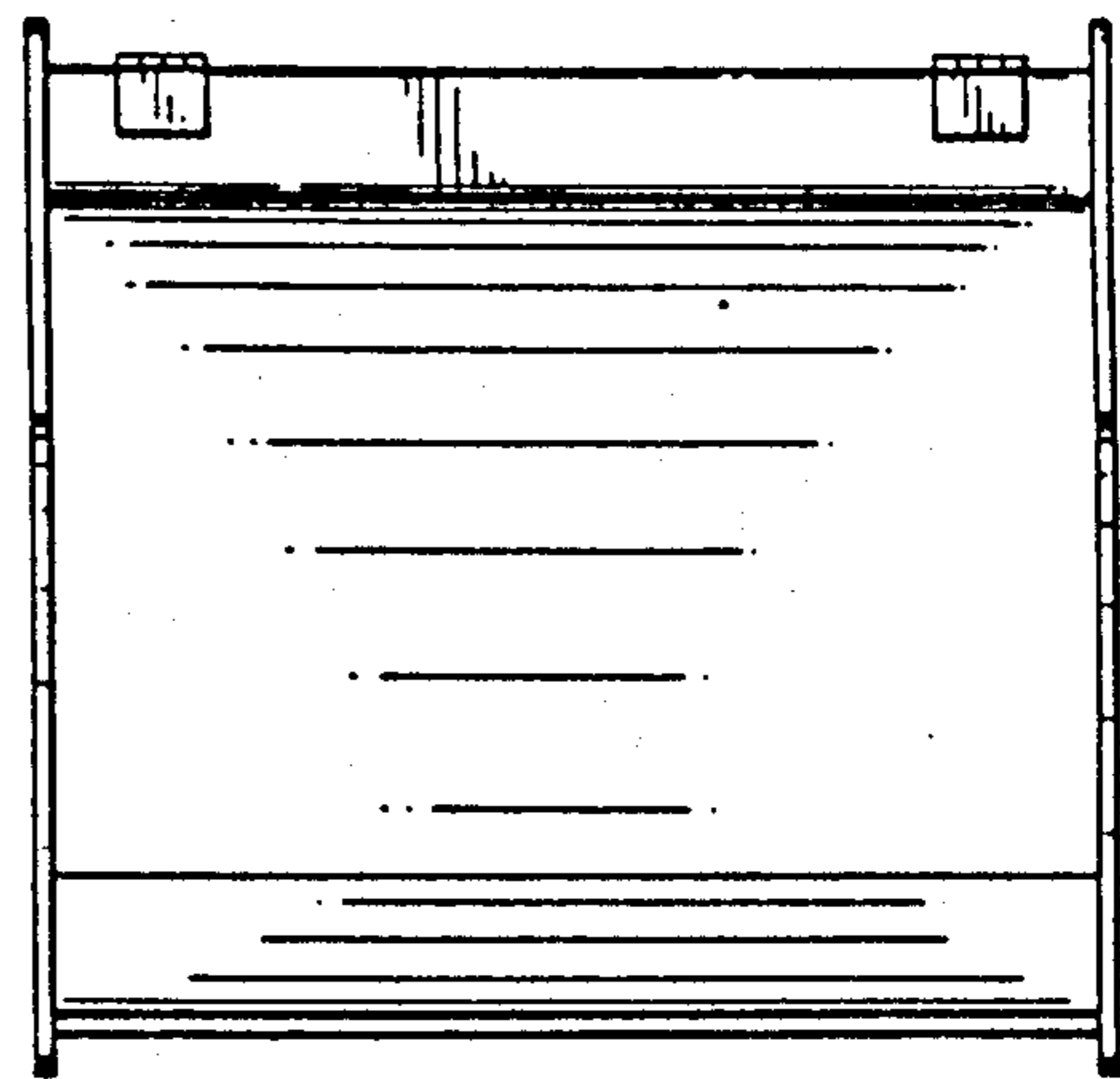
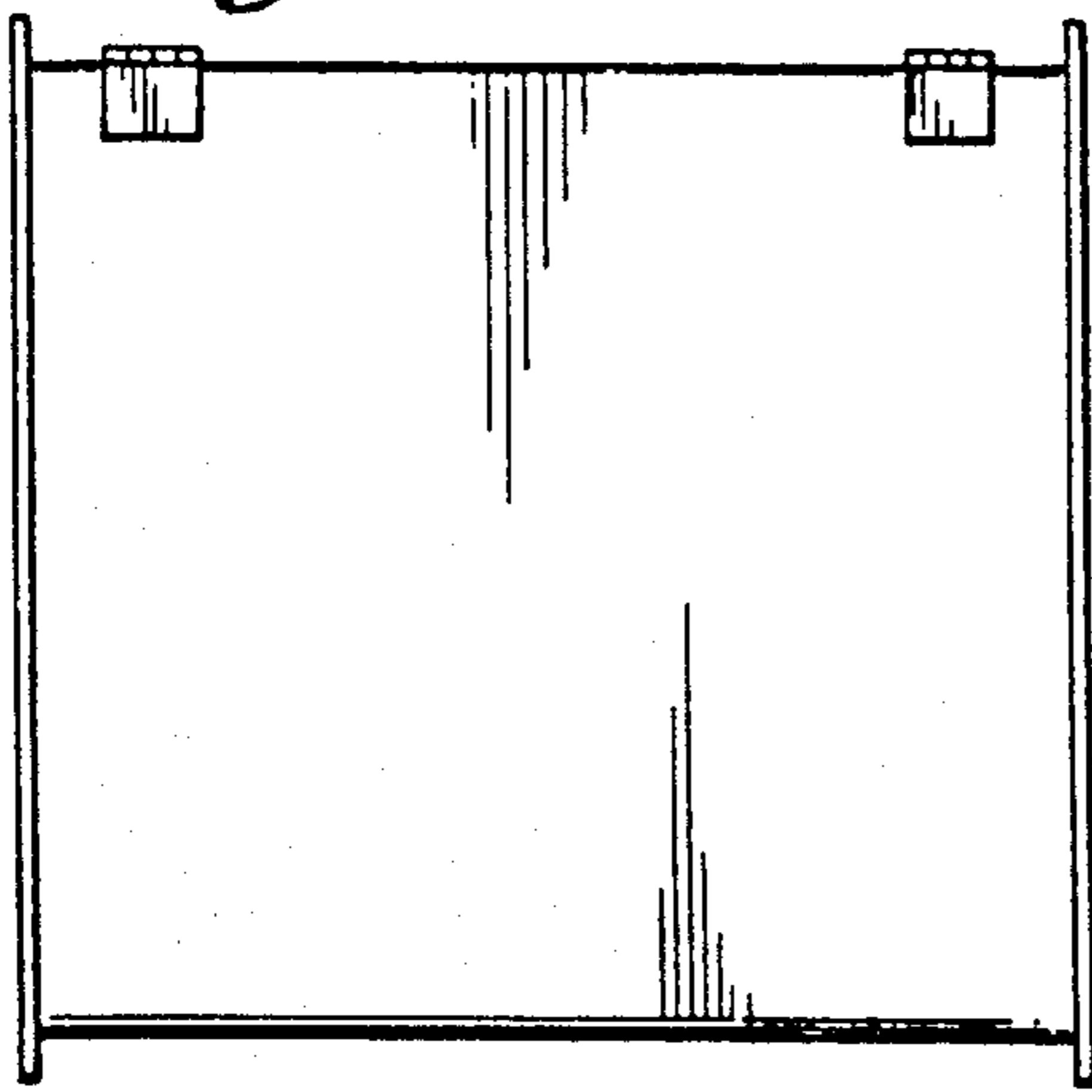


Fig. 4.

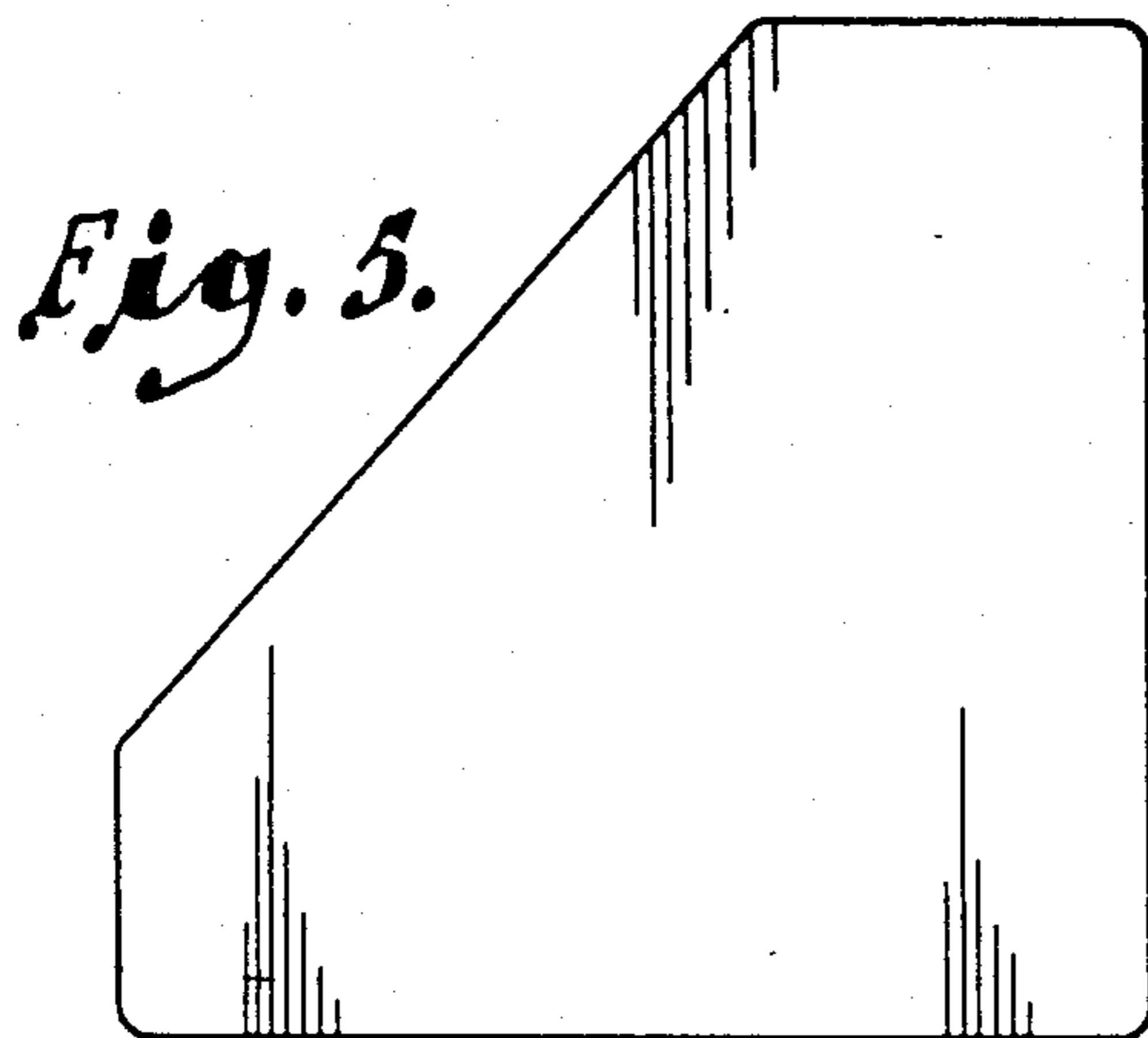


Fig. 5.

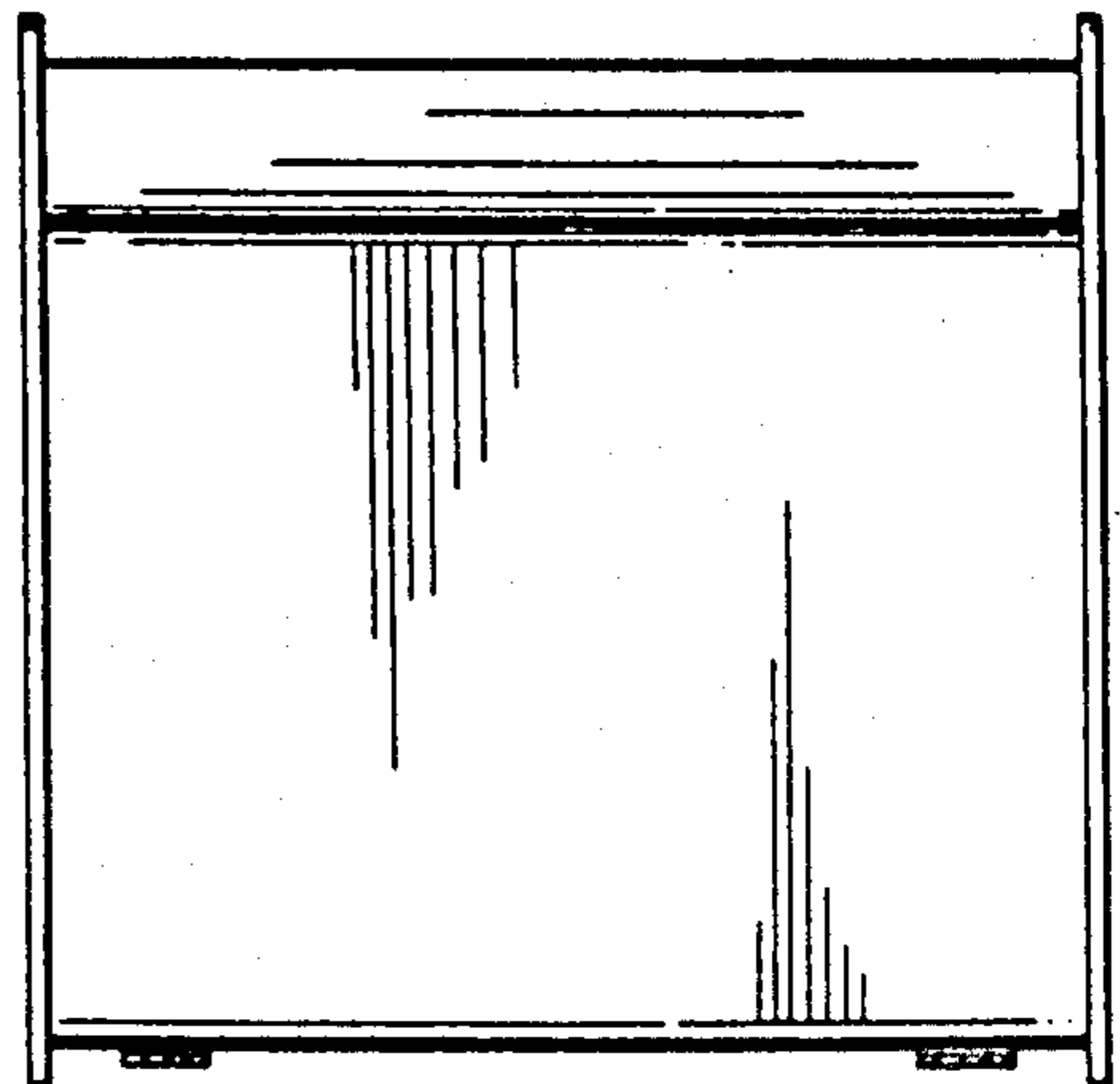


Fig. 6.