

[54] **MOBILE FOR DISPLAY ADVERTISEMENT OR THE LIKE**

[75] **Inventor: Irwin Stromeyer, Clifton, N.J.**

[73] **Assignee: Irsa Reprographics, Fairfield, N.J.**

[**] **Term: 14 Years**

[21] **Appl. No.: 307,515**

[22] **Filed: Feb. 8, 1989**

[52] **U.S. Cl. D20/42; D11/141; D19/1**

[58] **Field of Search D19/1, 2, 6, 7; D9/415, D9/457, 433; 229/92.8, 68 R, 75; 283/41, 36, 39; 281/31, 20, 23, 28, 32, 33, 19.1, 15.1; D21/89, 82, 62; D11/141; D20/42, 10; 40/124.1, 539, 596, 617**

[56] **References Cited**

U.S. PATENT DOCUMENTS

D. 194,354	1/1963	Menche	D19/59 X
D. 306,614	3/1990	Kodner et al.	D20/42
1,658,102	2/1928	Snyder	40/539
2,880,534	4/1959	Lund	40/124.1
3,645,026	2/1972	Lorch	D11/141 X

4,833,802 5/1989 Volkert 40/124.1

FOREIGN PATENT DOCUMENTS

230688 10/1960 Australia 229/8
851035 2/1937 United Kingdom 229/8

Primary Examiner—Wallace R. Burke
Assistant Examiner—P. Schmidt
Attorney, Agent, or Firm—Siegmar Silber

[57] **CLAIM**

The ornamental design for a mobile for display advertisements or the like, thereof.

DESCRIPTION

FIG. 1 is a top perspective view of a mobile for display advertisements or the like showing my new design; FIG. 2 is a top plan view of FIG. 1 in blank form, the undisclosed rear being a mirror image; FIG. 3 is a side elevational view of FIG. 1, it being understood from FIG. 2 that the undisclosed side is flat and plain; FIG. 4 is a front elevational view thereof, it being understood from FIG. 2 that the undisclosed rear is flat and plain; and FIG. 5 is a bottom plan view thereof.

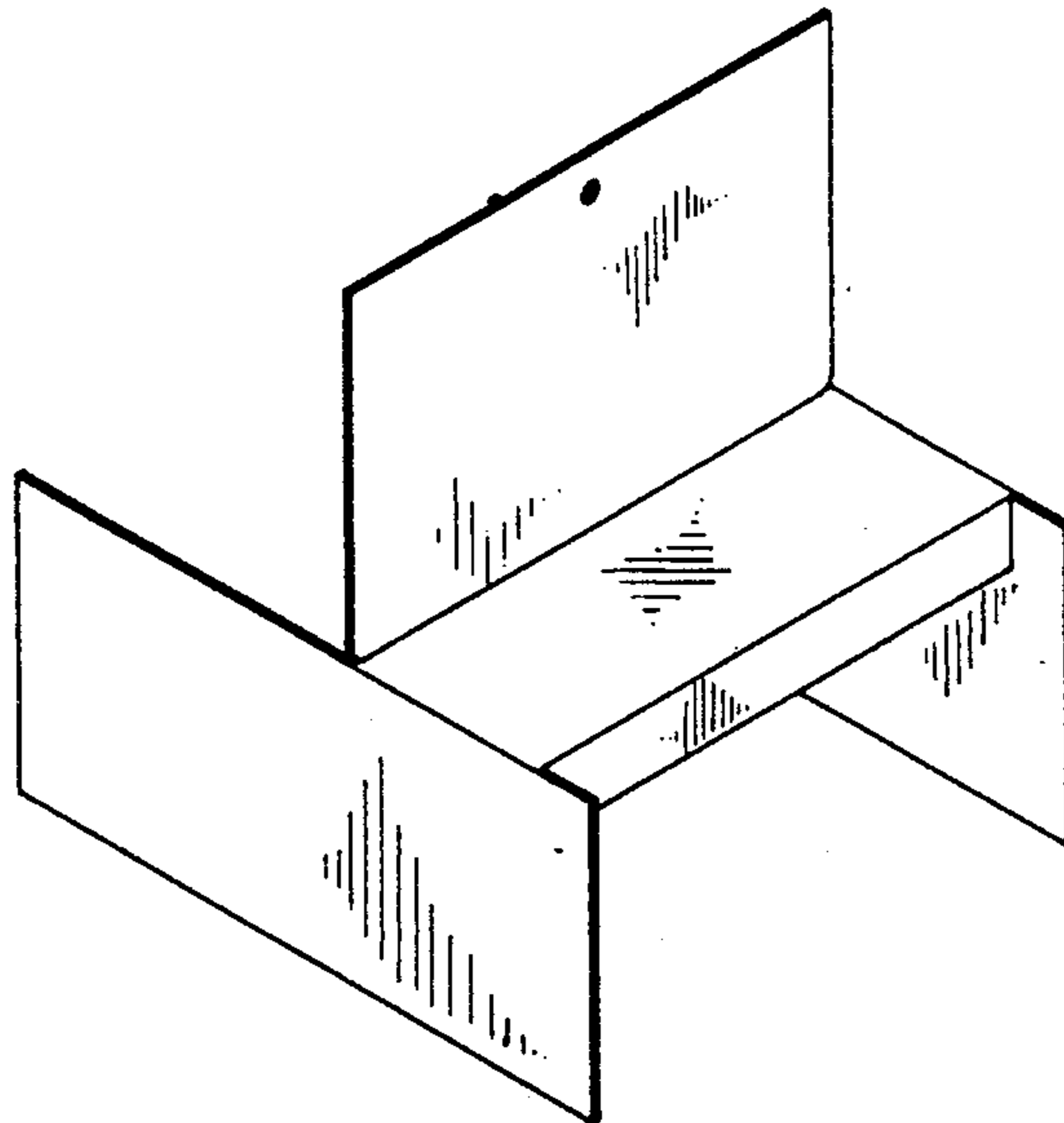


FIG. 1

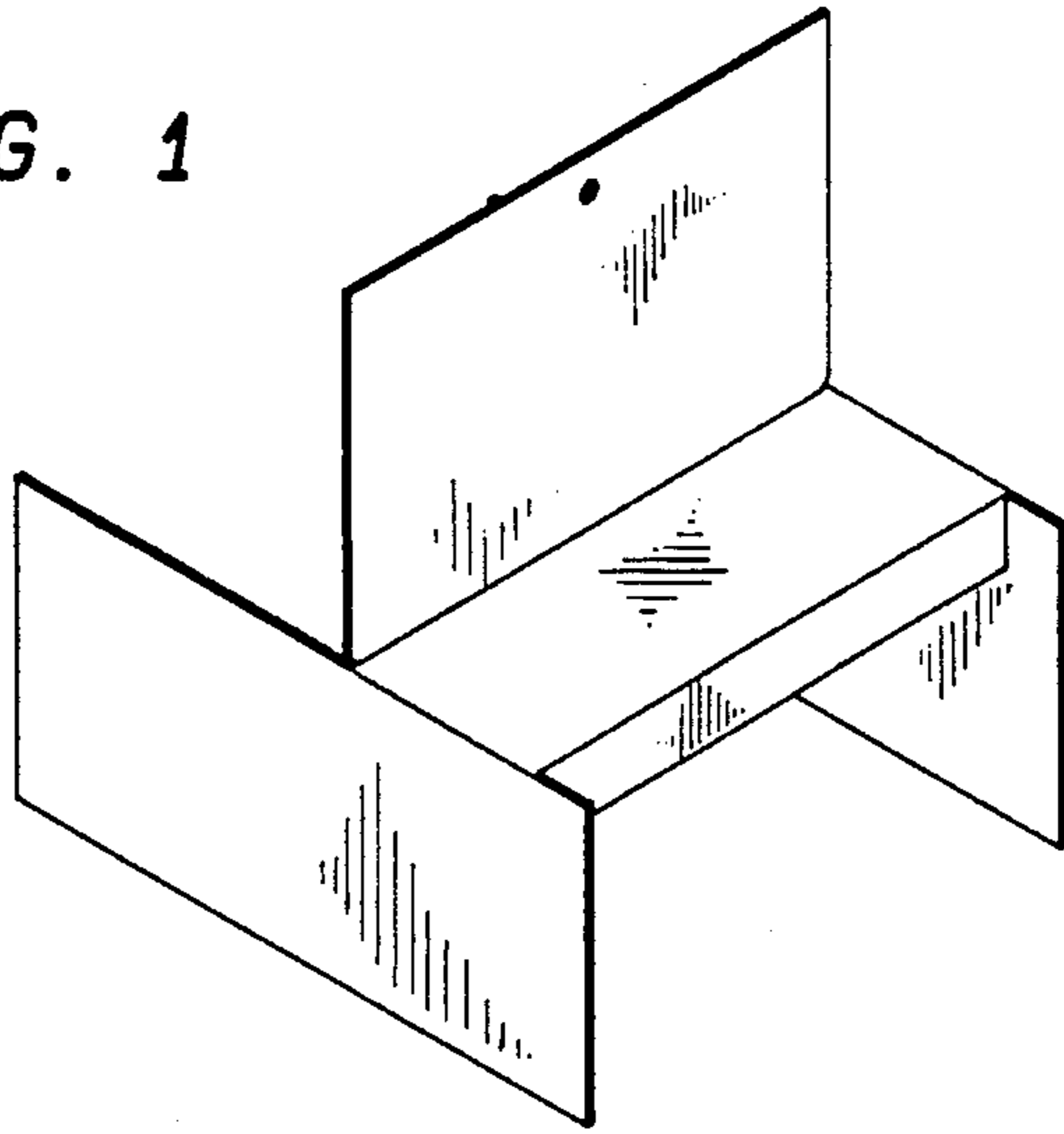


FIG. 2

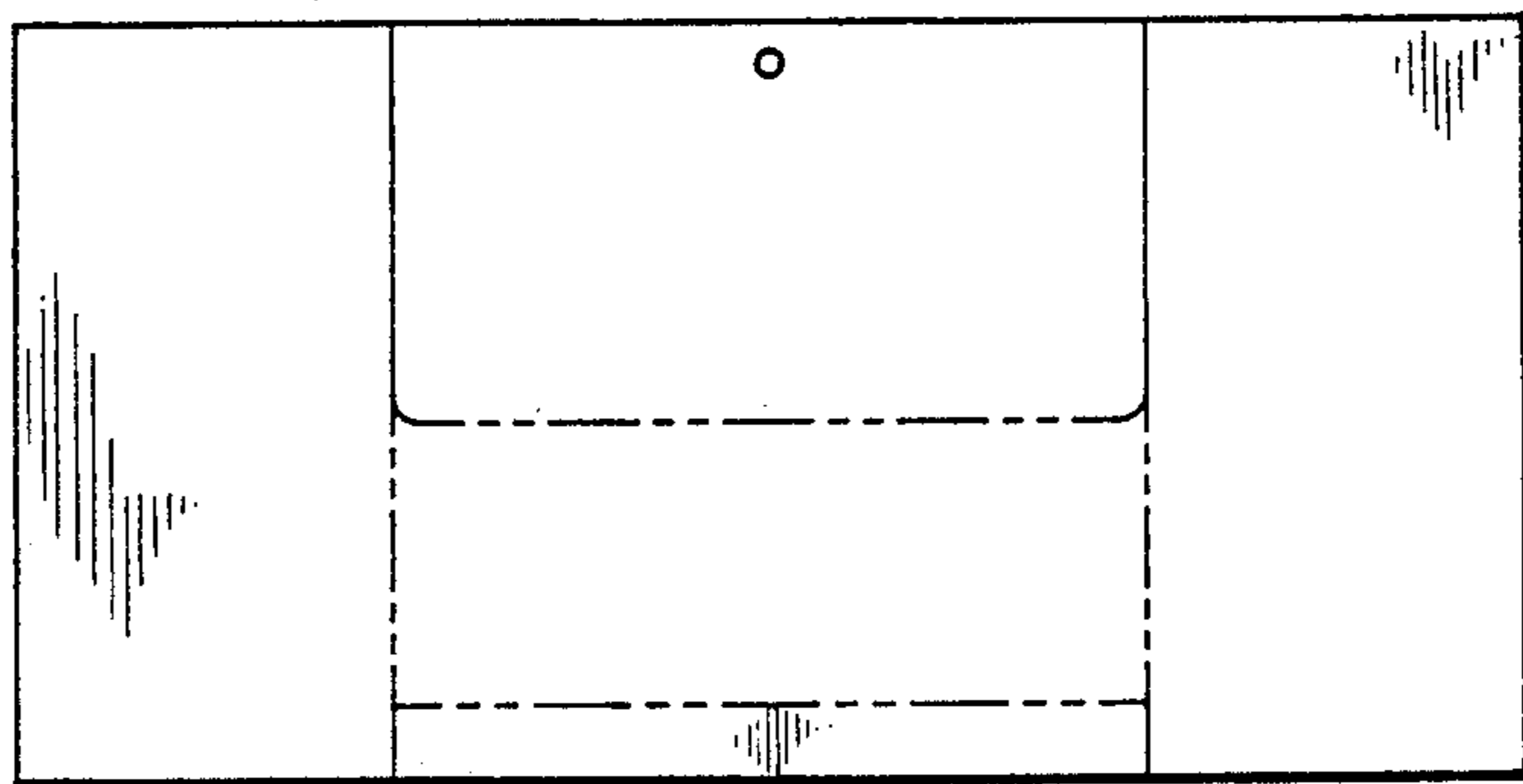


FIG. 3

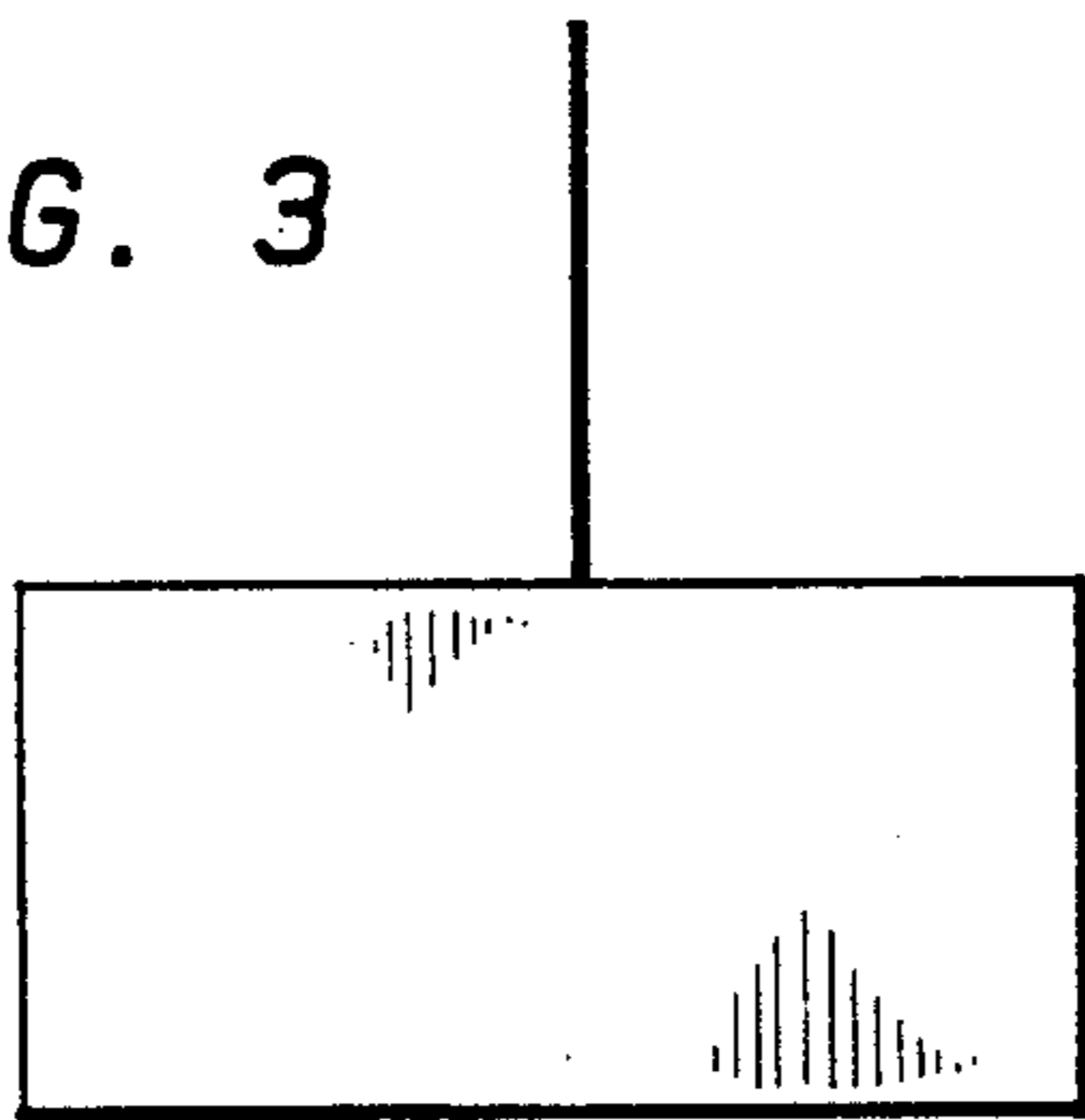


FIG. 4

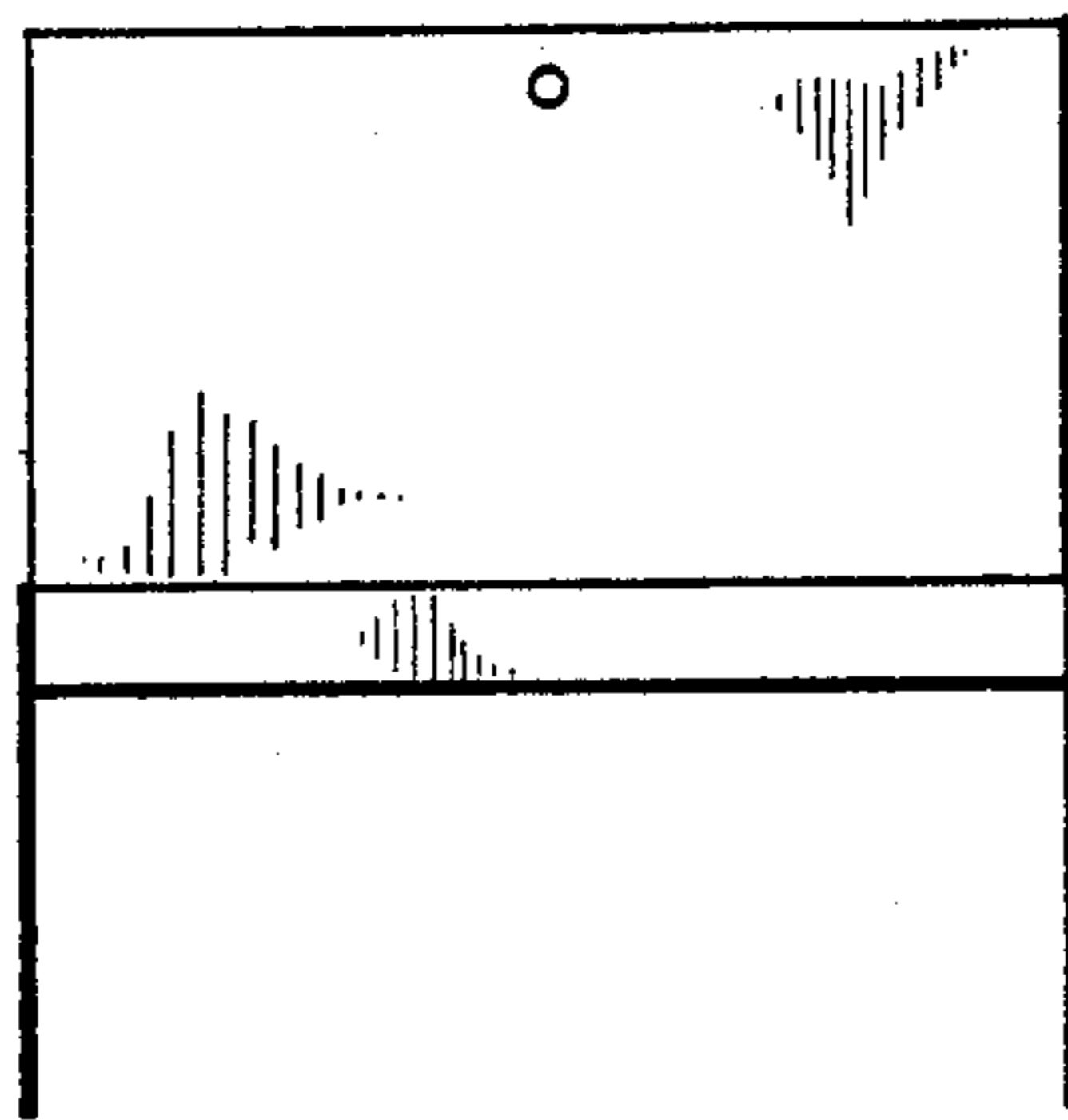


FIG. 5

