

[54] COMBINED DASHBOARD MAP HOLDER AND ADJUSTABLE LIGHT

[76] Inventor: Gary L. Oren, 1602 Brookstone Ridge, College Park, Ga. 30349

[\*\*] Term: 14 Years

[21] Appl. No.: 167,442

[22] Filed: Mar. 14, 1988

[52] U.S. Cl. .... D19/88; D19/36; D19/86; D19/91

[58] Field of Search ..... D19/35, 65, 75, 52, D19/86, 88, 90, 91, 99, 100; 248/441.1, 442.2; 40/341; 211/45, 50; 281/45

[56] References Cited

U.S. PATENT DOCUMENTS

D. 164,269	8/1951	Whittier .....	D19/88
D. 191,483	10/1961	Cory .....	D19/88
D. 211,369	6/1968	Hitchcock .....	D19/88
D. 234,592	3/1975	Callaway .....	D19/88
D. 257,589	12/1980	Shaffert .....	D19/88
D. 285,392	9/1986	Thompson .....	D19/75 X
D. 287,604	1/1987	Creed .....	D19/91

D. 301,489	6/1989	Aquila et al. ....	D19/88
D. 310,576	9/1990	Nartout et al. ....	D19/92 X
4,157,152	6/1979	Blastic .....	D19/88 X
4,603,883	8/1986	Barbieri et al. ....	211/50

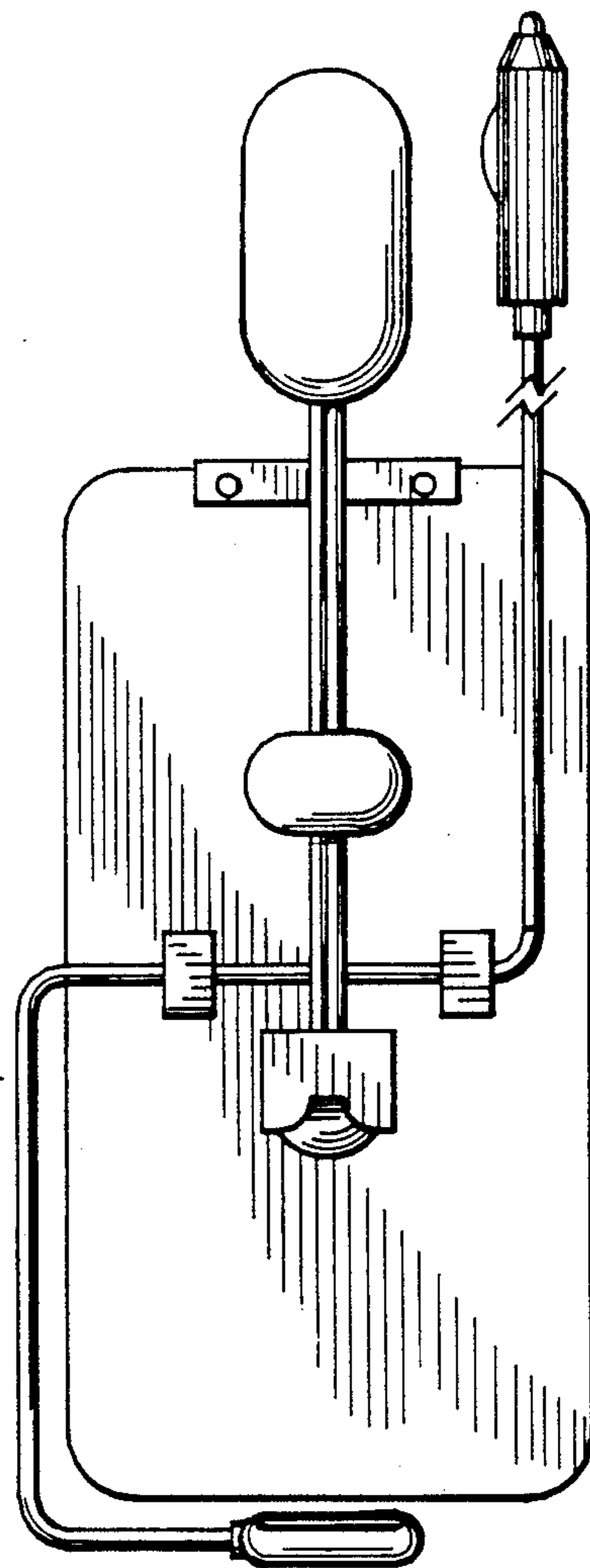
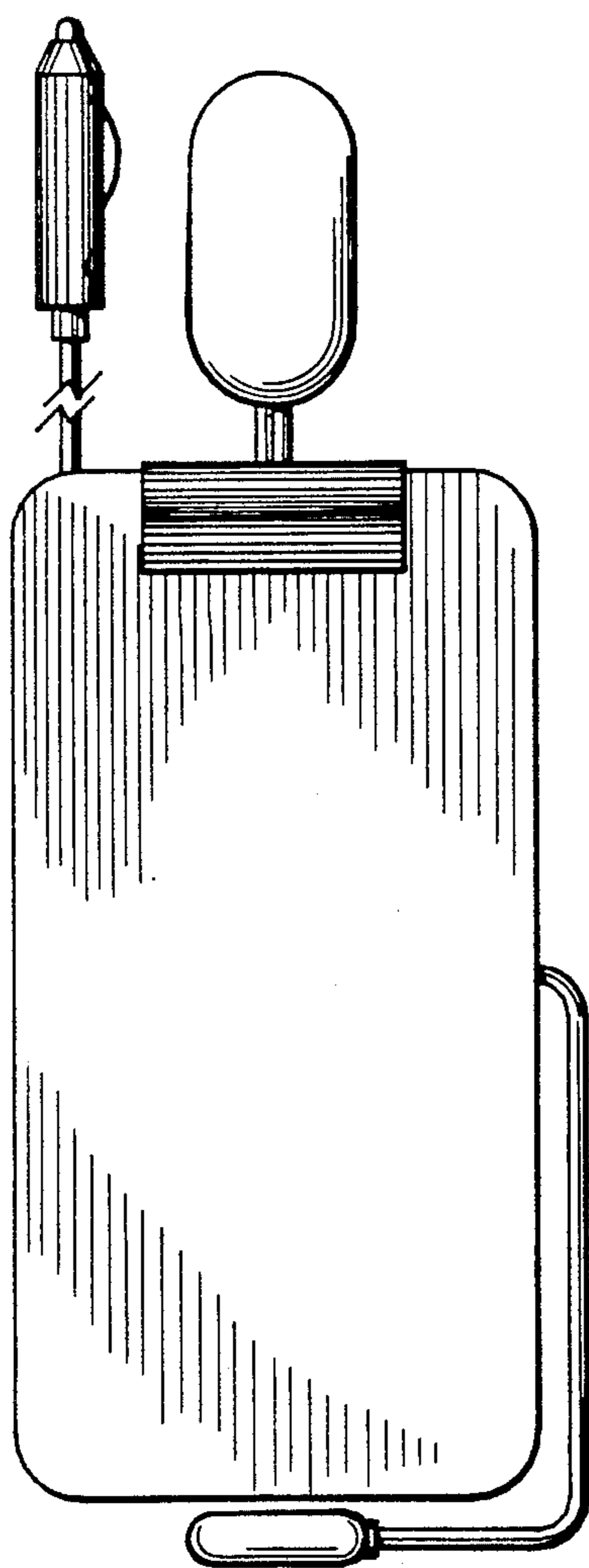
Primary Examiner—Bruce W. Dunkins  
Assistant Examiner—Martha Thompson  
Attorney, Agent, or Firm—Jerry T. Kearns

[57] CLAIM

The ornamental design for a combined dashboard map holder and adjustable light, as shown and described.

DESCRIPTION

FIG. 1 is a front elevational view of a combined dashboard map holder and adjustable light showing my new design; FIG. 2 is a rear elevational view thereof; FIG. 3 is a left side elevational view thereof; FIG. 4 is a right side elevational view thereof; FIG. 5 is a top plan view thereof; FIG. 6 is a bottom plan view thereof; and, FIG. 7 is a perspective view thereof. The power cord in FIGS. 1 through 4 and 7 has been shown broken away for the purpose of indicating indeterminate length.



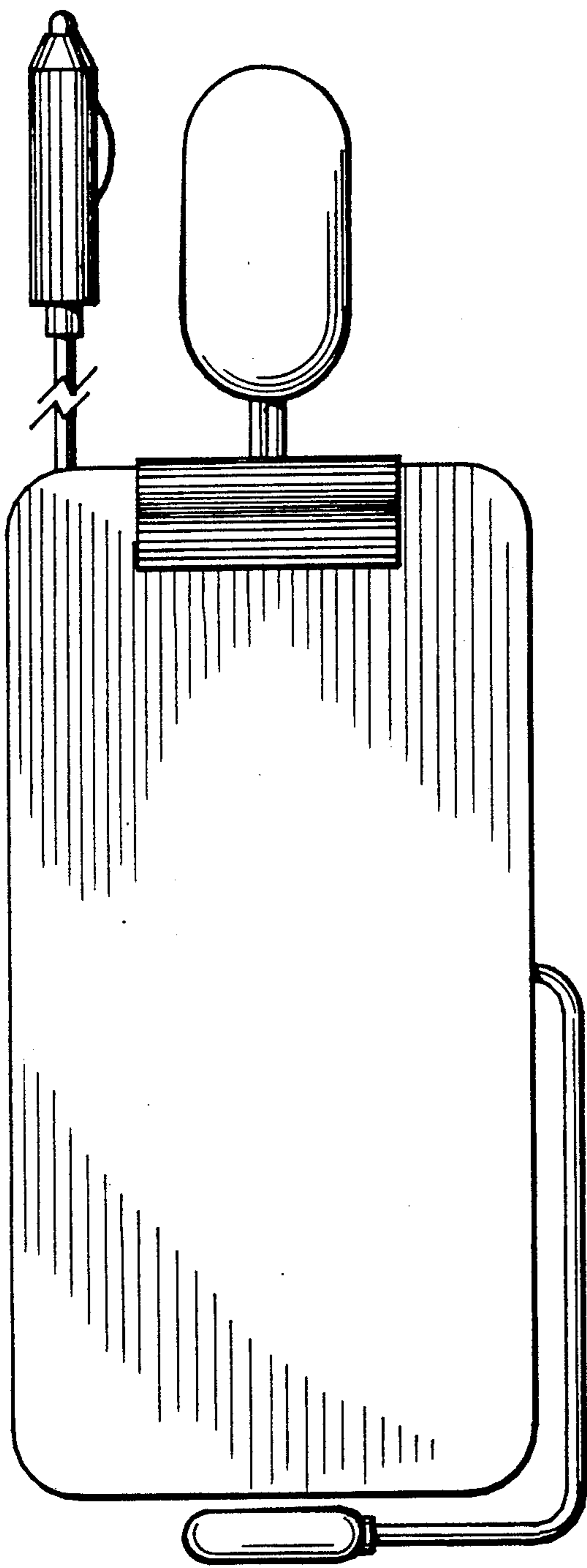


Fig. 1

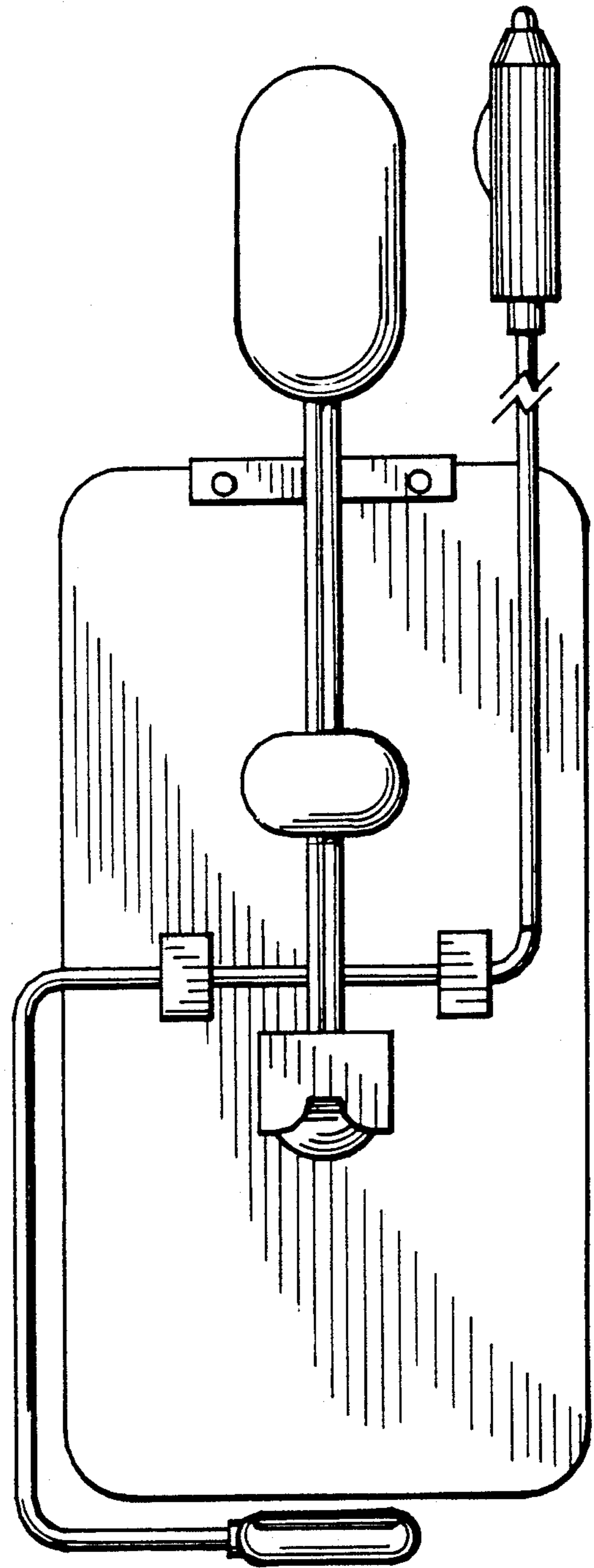


Fig. 2

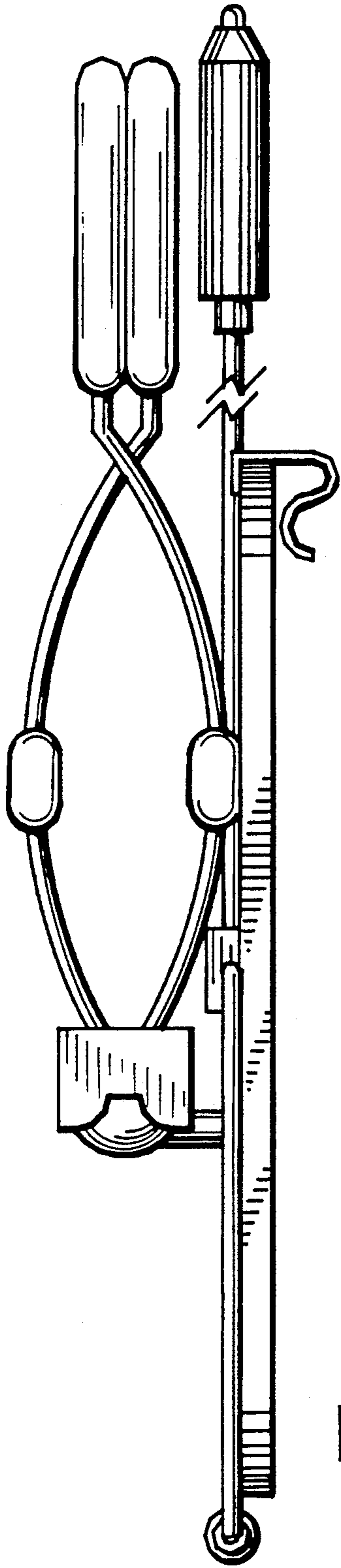


Fig. 3

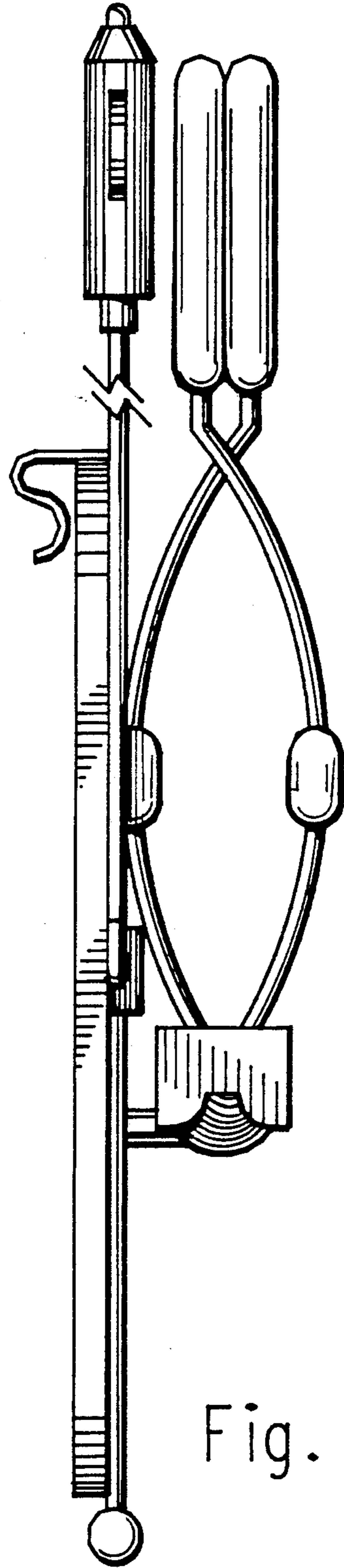


Fig. 4

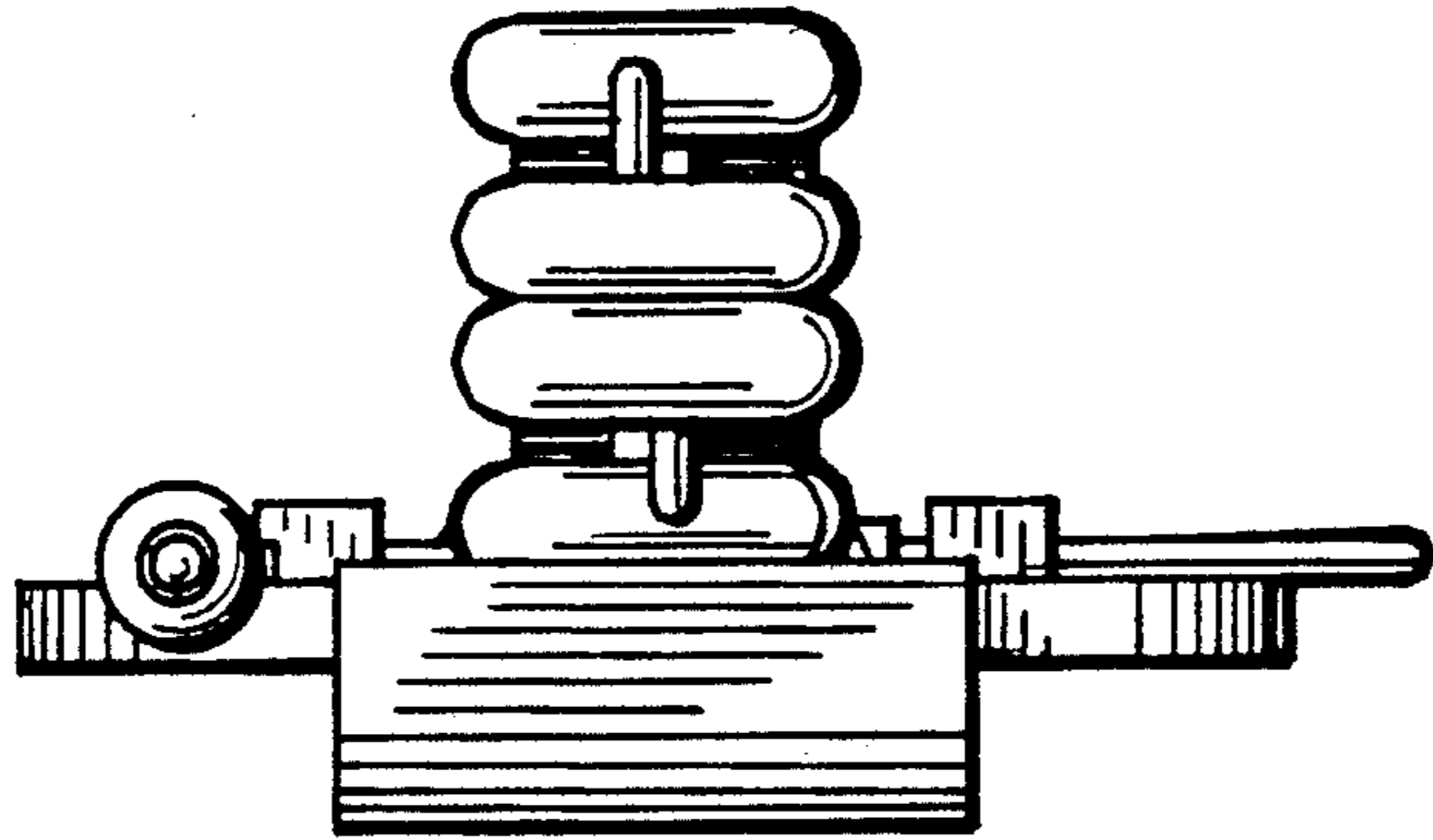


Fig. 5

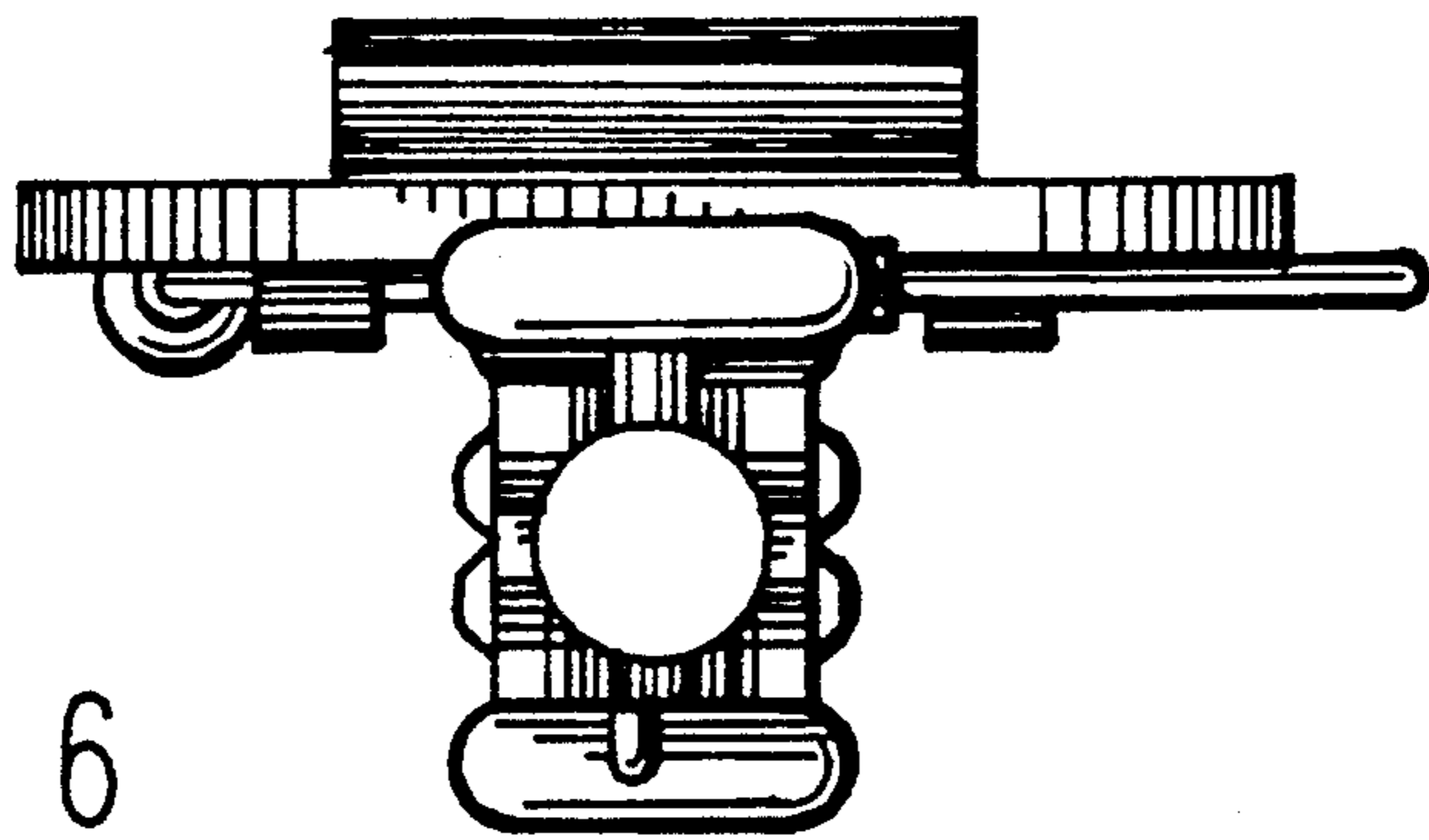


Fig. 6

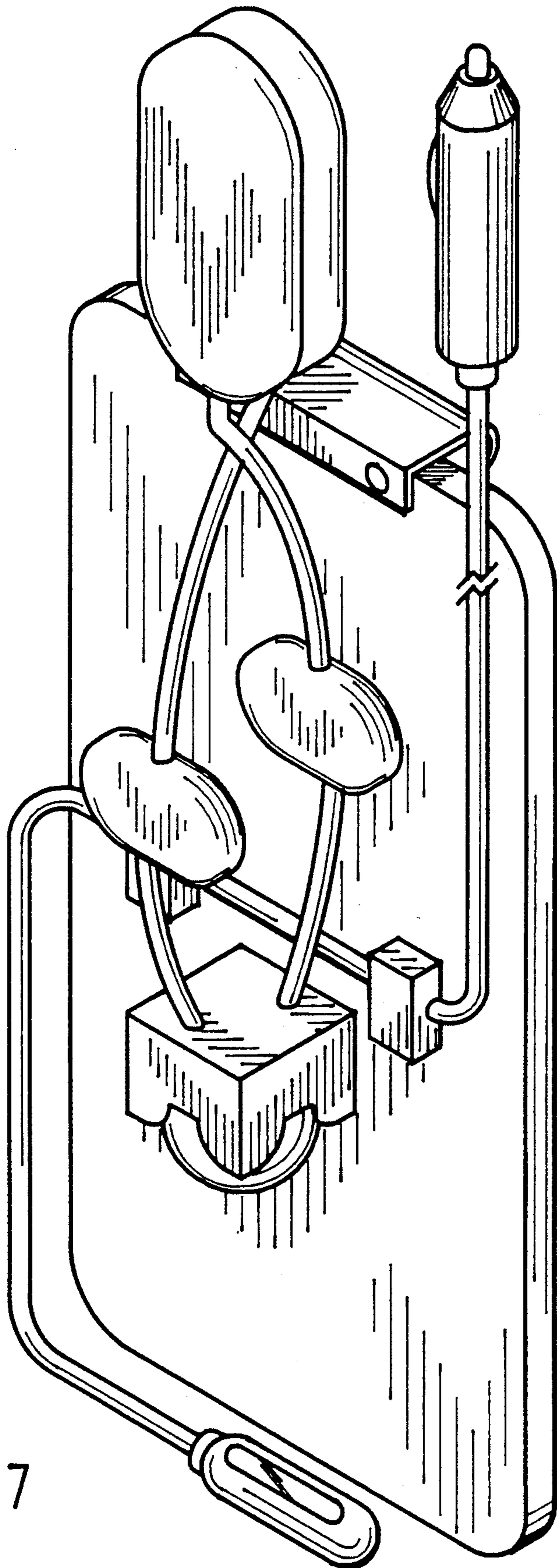


Fig. 7