

[54] **DOCUMENT HOLDER**
[75] **Inventor: Cornel Chu, London, England**
[73] **Assignee: Hi-Tech Industries Limited, London, England**
[**] **Term: 14 Years**
[21] **Appl. No.: 146,784**
[22] **Filed: Jan. 22, 1988**
[30] **Foreign Application Priority Data**
Aug. 6, 1987 [GB] United Kingdom 1044015
[52] **U.S. Cl. D19/88; D19/86; D19/90; D19/91; D14/114**
[58] **Field of Search D14/114; D19/65, 75, D19/86, 88, 90, 91, 99, 100; 248/442.1, 442.2, 447.1, 451, 452, 1 A, 1 B, 205.2; 40/341-349**
[56] **References Cited**
U.S. PATENT DOCUMENTS
D. 302,443 7/1989 Jones D19/88

1,615,959	2/1927	Slavik	248/442.2
4,074,453	2/1978	Knox	248/442.2
4,767,093	8/1988	Jones	248/442.2
4,836,489	6/1989	Chu	248/442.2

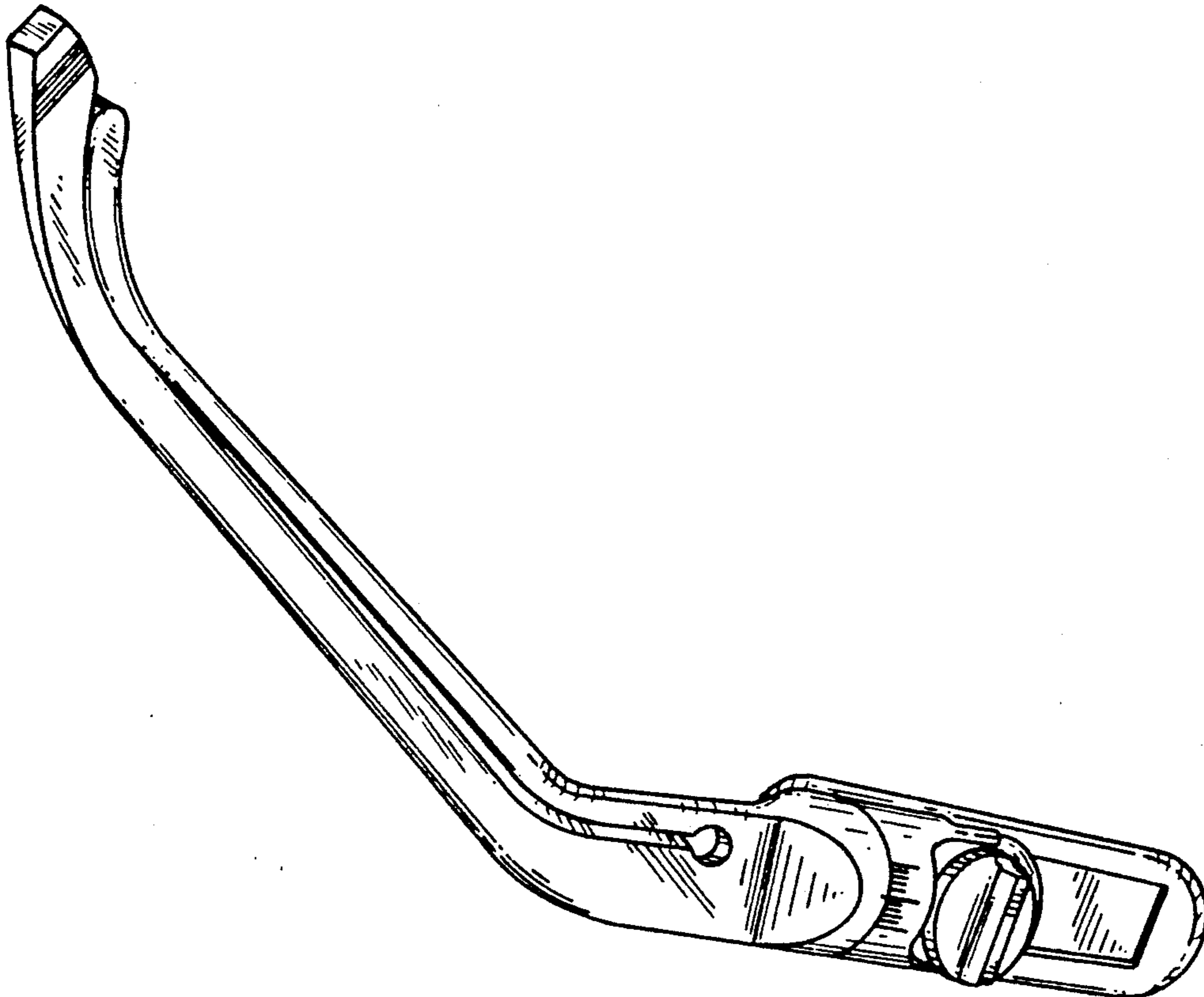
Primary Examiner—Bruce W. Dunkins
Assistant Examiner—Martha Thompson
Attorney, Agent, or Firm—Armstrong, Nikaido, Marmelstein, Kubovcik & Murray

[57] **CLAIM**

The ornamental design for a document holder, as shown and described.

DESCRIPTION

FIG. 1 is a front perspective view of a document holder showing my new design;
FIG. 2 is a rear elevational view;
FIG. 3 is an enlarged cross-sectional view taken in the direction of arrows 3—3 in FIG. 2;
FIG. 4 is an end elevational view taken from the right end of FIG. 1; and
FIG. 5 is a side elevational view thereof.



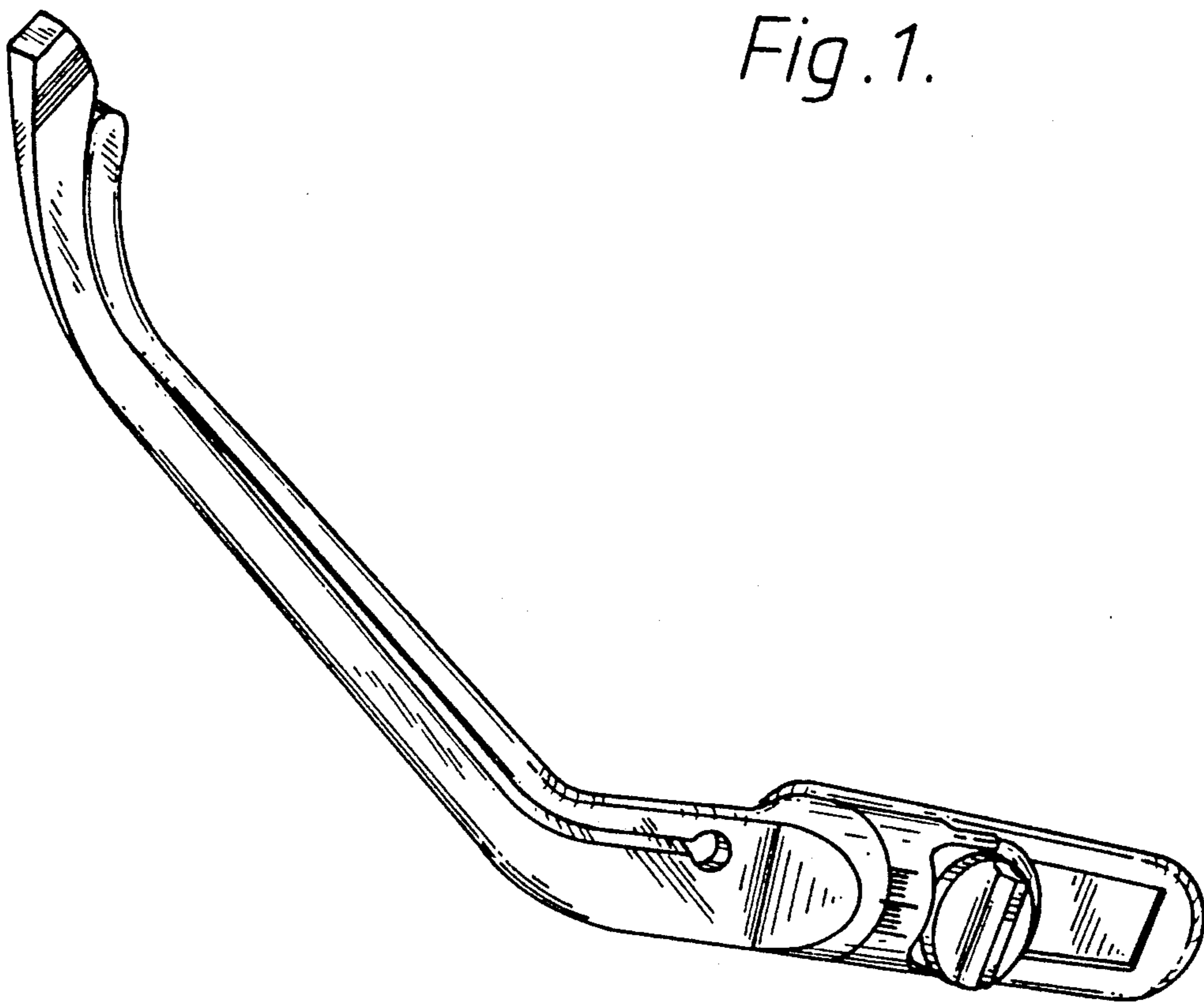


Fig. 1.

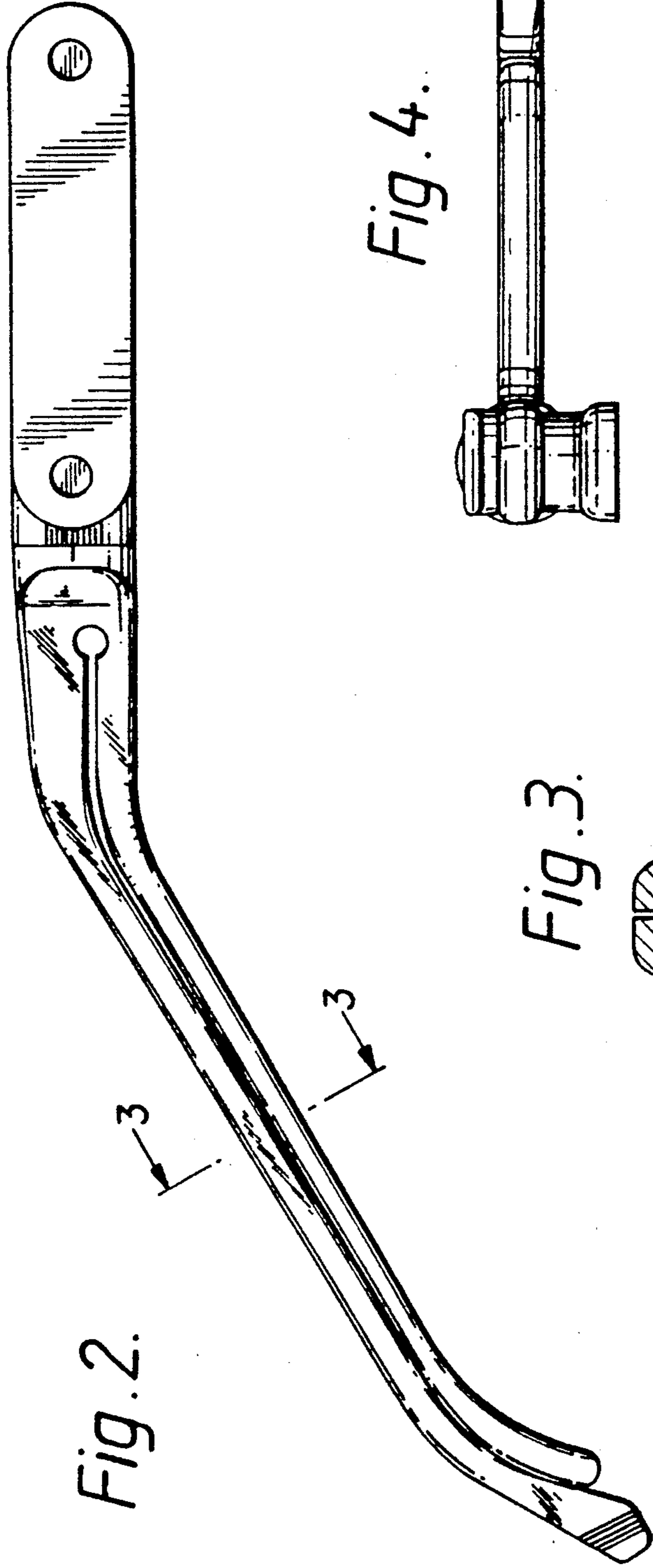


Fig. 4.

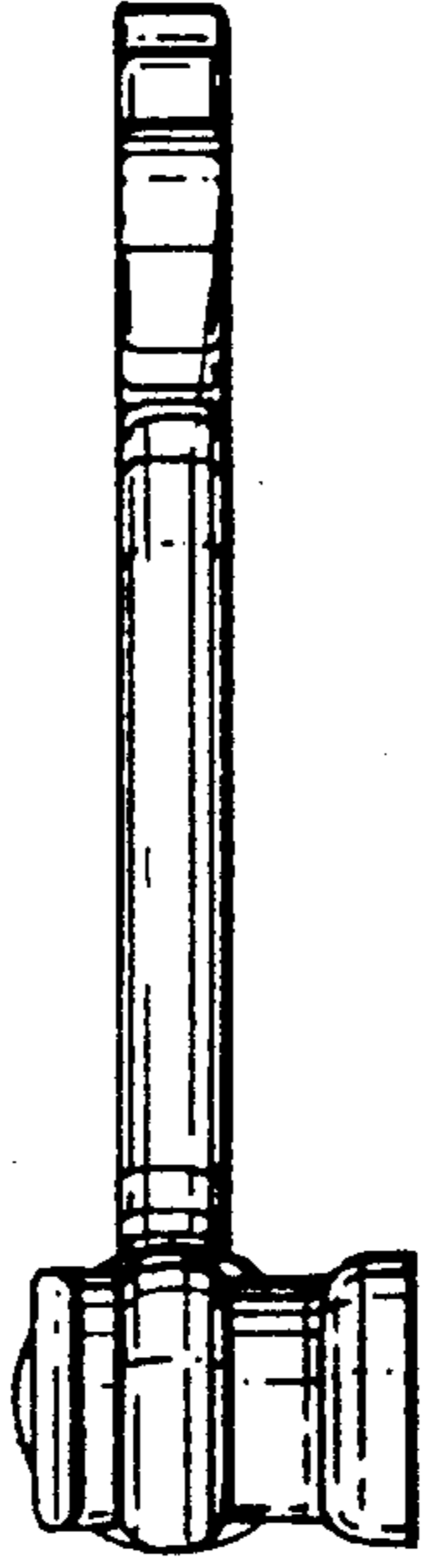


Fig. 3.



Fig. 5.

