

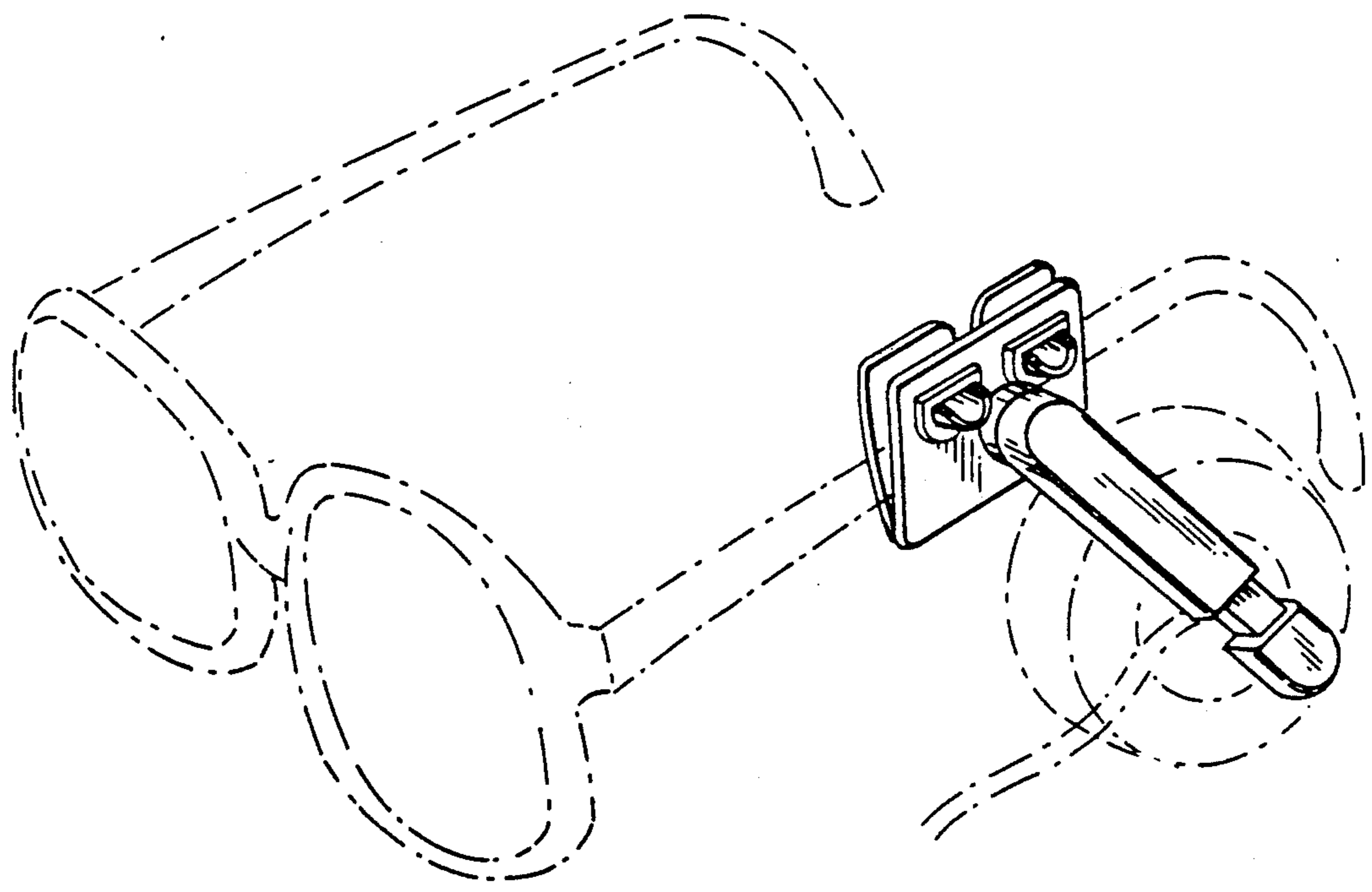
[54] **ADJUSTABLE EYEGLASS MOUNT FOR A HEAD SET**
[76] **Inventor: John P. Cleveland, 5320 W. 66th Ave., Arvada, Colo. 80003**
[**] **Term: 14 Years**
[21] **Appl. No.: 221,446**
[22] **Filed: Oct. 3, 1988**
[52] **U.S. Cl. D16/123**
[58] **Field of Search D16/65, 123; 2/13, DIG. 6, 2/12; 351/47, 49, 72, 90; 128/163; 455/100**

[56] **References Cited**
U.S. PATENT DOCUMENTS
3,505,679 4/1970 Bennett 2/13
3,721,490 3/1973 Prince 2/13 X
4,105,304 8/1978 Baker 351/47
4,298,991 11/1981 Rencenello 351/47 X
4,632,104 12/1986 Conrow 128/163

4,856,089 8/1989 Horton 2/13 X
Primary Examiner—Bruce W. Dunkins
Assistant Examiner—M. Hannon

[57] **CLAIM**
The ornamental design for an adjustable eyeglass mount for a head set, as shown and described.

DESCRIPTION
FIG. 1 is a top perspective view of an adjustable eyeglass mount for a head set showing my new design;
FIG. 2 is a side perspective view thereof in a closed position;
FIG. 3 is a front elevational view thereof;
FIG. 4 is a rear elevational view thereof;
FIG. 5 is a right side elevational view thereof;
FIG. 6 is a left side elevational view thereof;
FIG. 7 is a top plan view thereof;
FIG. 8 is a bottom plan view thereof;
The broken lines disclosed in FIG. 1 have been shown for illustrative purposes only.



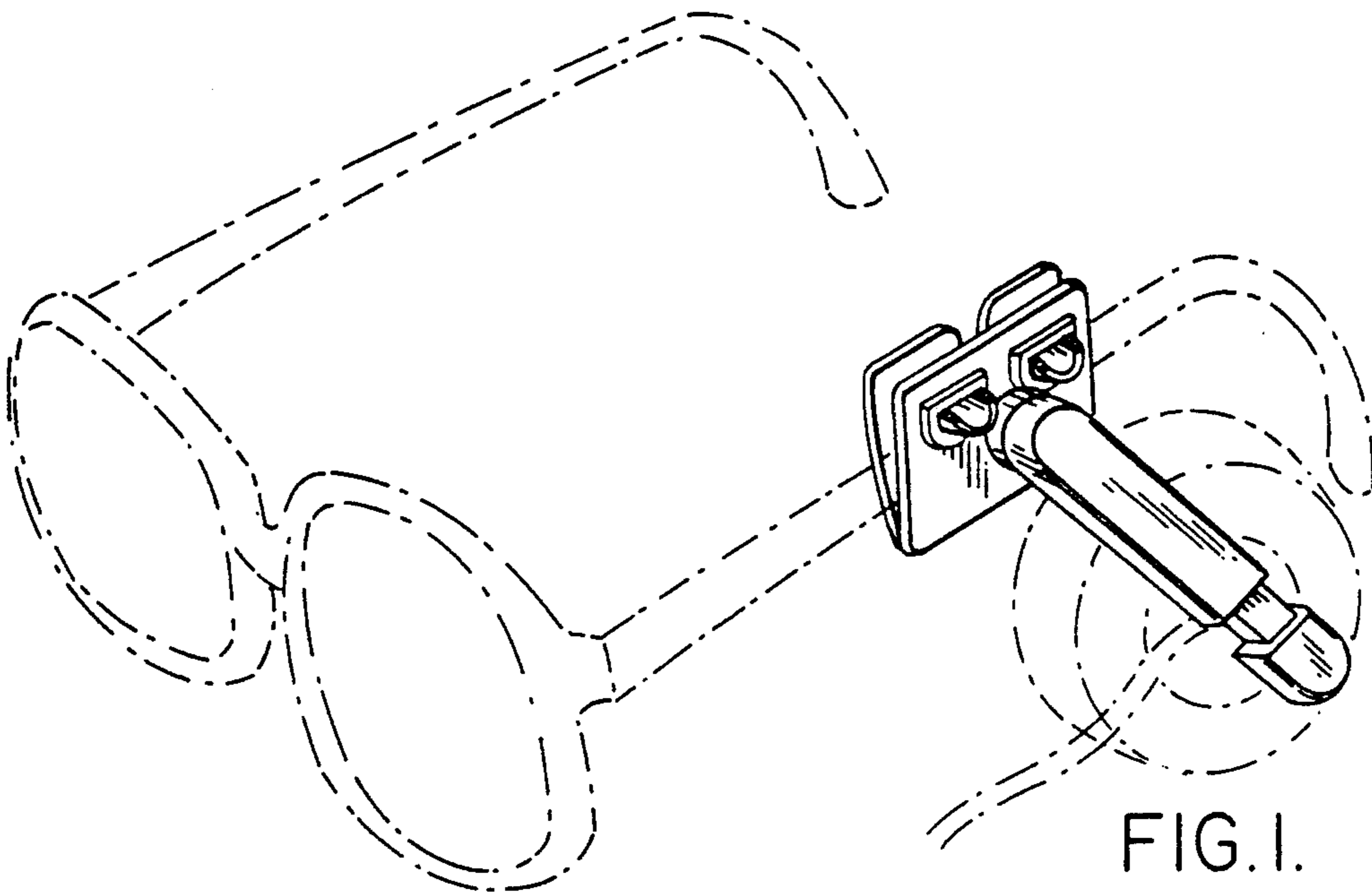


FIG. 1.

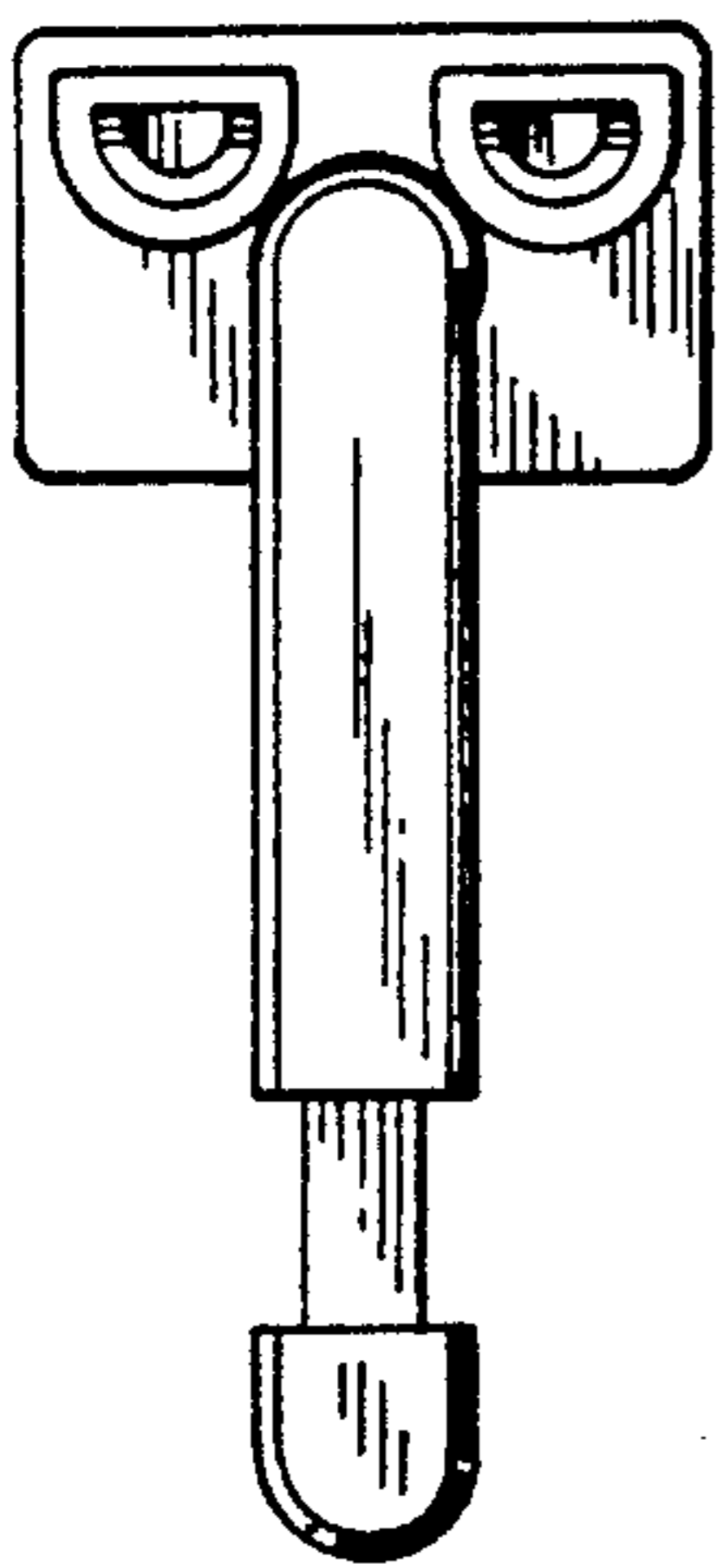


FIG. 3.

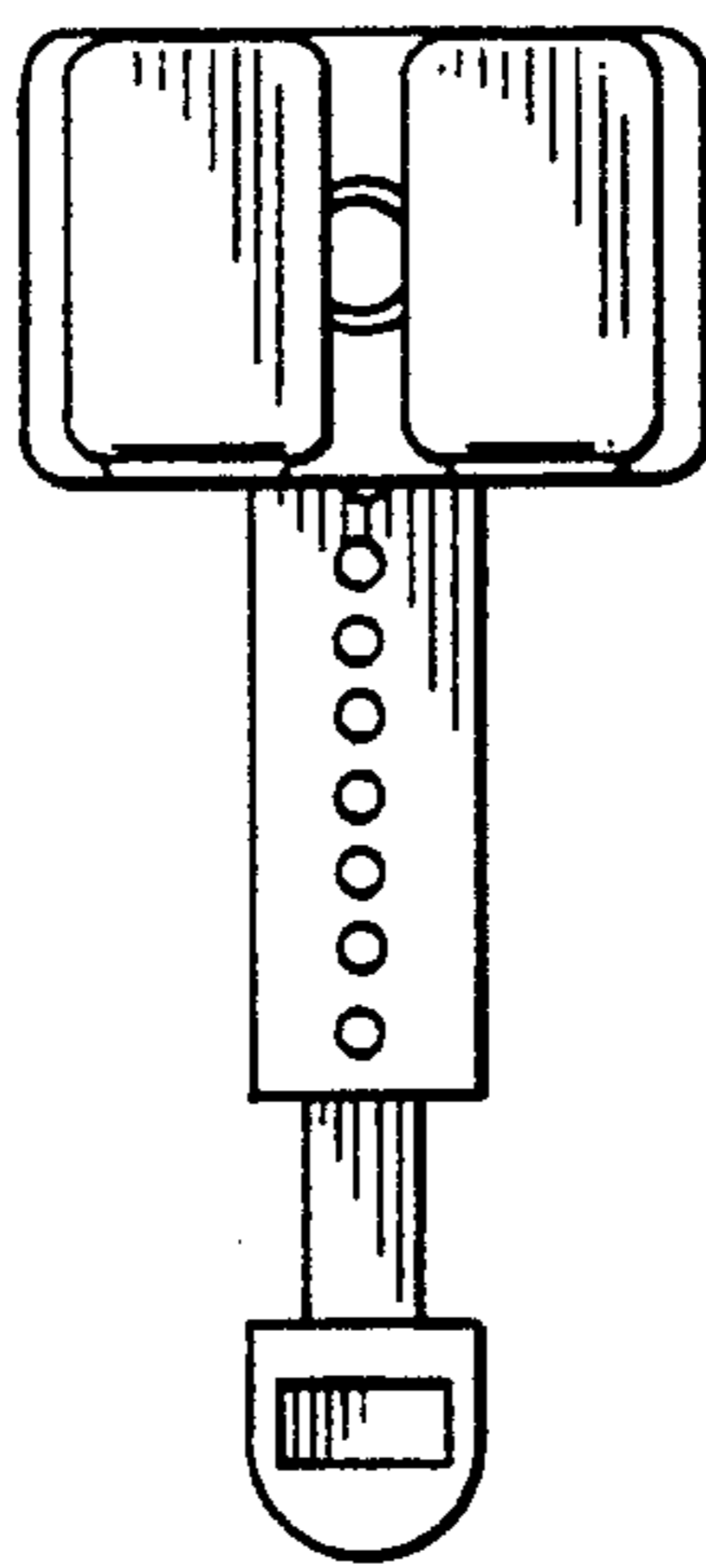


FIG. 4.

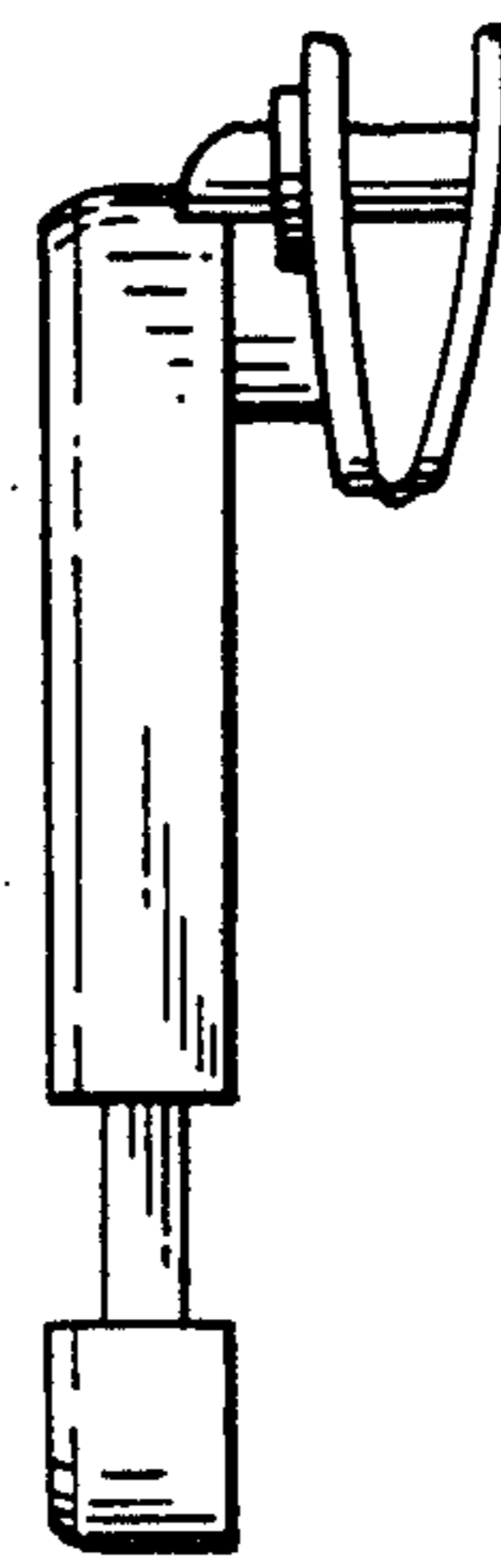


FIG. 5.



FIG. 6.

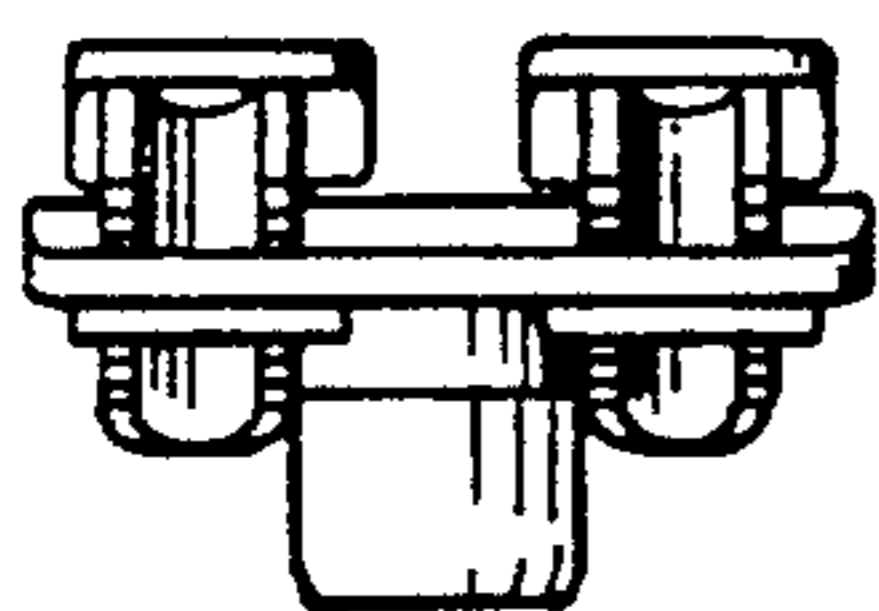


FIG. 7.

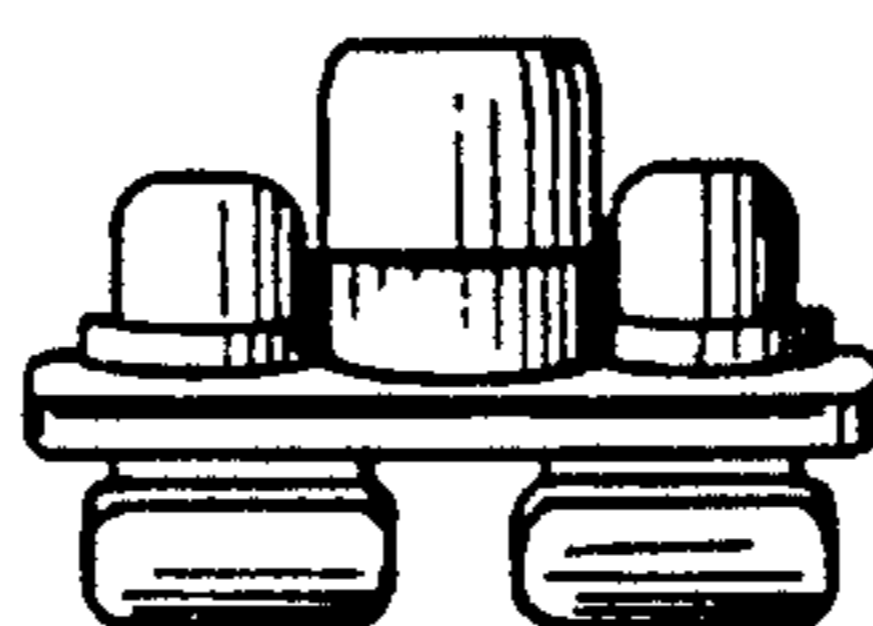


FIG. 8.

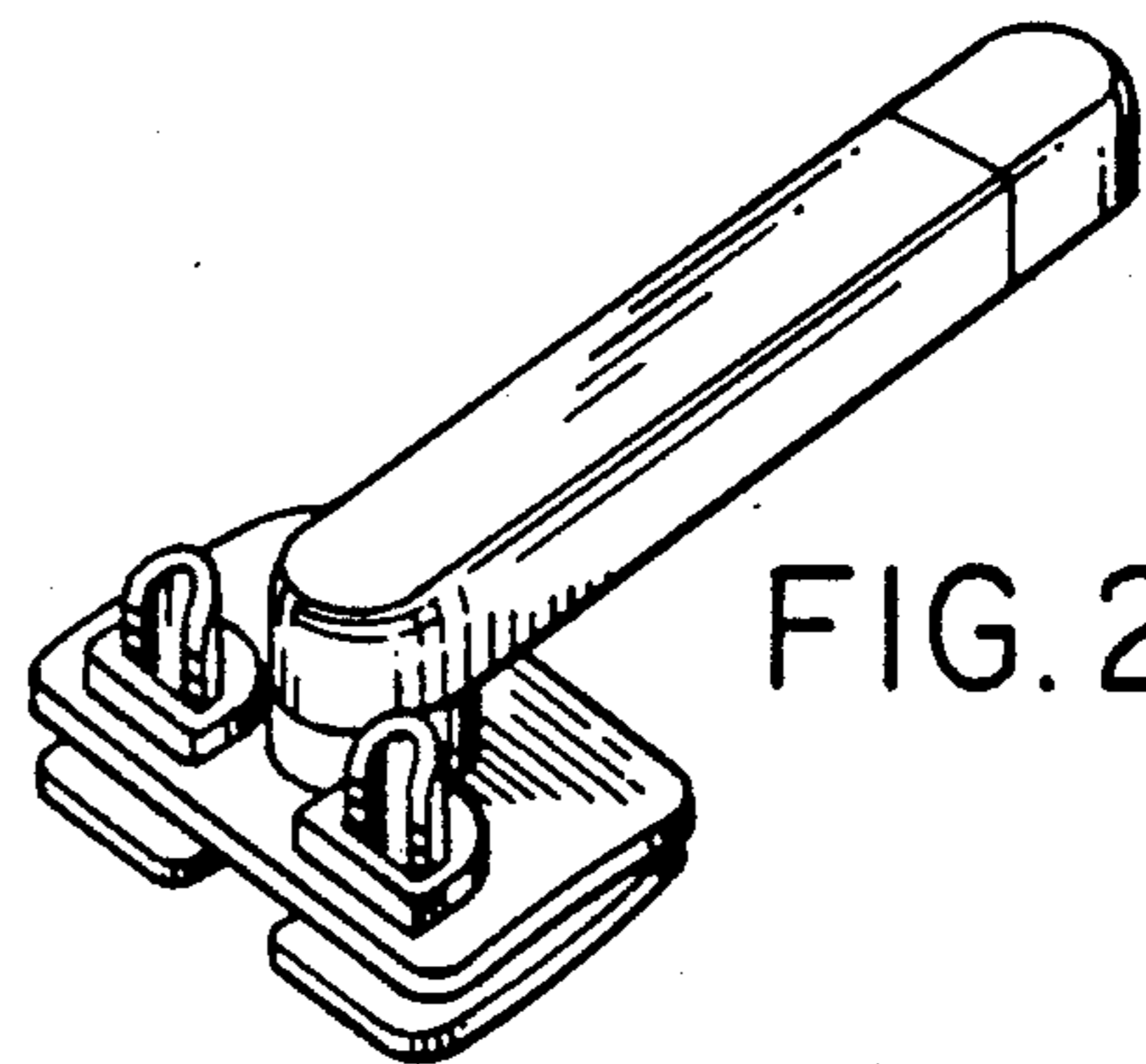


FIG. 2.