

[54] CLAMP

[75] Inventor: Frederick C. Kern, Rochester Hills, Mich.

[73] Assignee: Fairchild Industries, Inc., Chantilly, Va.

[**] Term: 14 Years

[21] Appl. No.: 172,908

[22] Filed: Mar. 22, 1988

[52] U.S. Cl. D15/138; D8/72

[58] Field of Search D15/135, 138, 140; D8/71, 72, 73; 425/451.9; 249/219.1

[56] References Cited

U.S. PATENT DOCUMENTS

D. 273,497	4/1984	Steineman	D15/138
D. 297,301	8/1988	Aoki et al.	D8/72
2,600,362	6/1952	Harder	249/219.1 X
3,286,975	11/1986	Langford	249/219.1 X
3,811,645	5/1974	Feist	249/68
3,995,685	12/1976	Stanko	249/219.1 X
4,188,017	2/1980	Dingler	249/219.1
4,877,388	10/1989	Inaba et al.	425/451.9 X

OTHER PUBLICATIONS

Product Brochure page dated Jul. 5, 1977.

Primary Examiner—Bruce W. Dunkins

Assistant Examiner—Jeffrey Asch

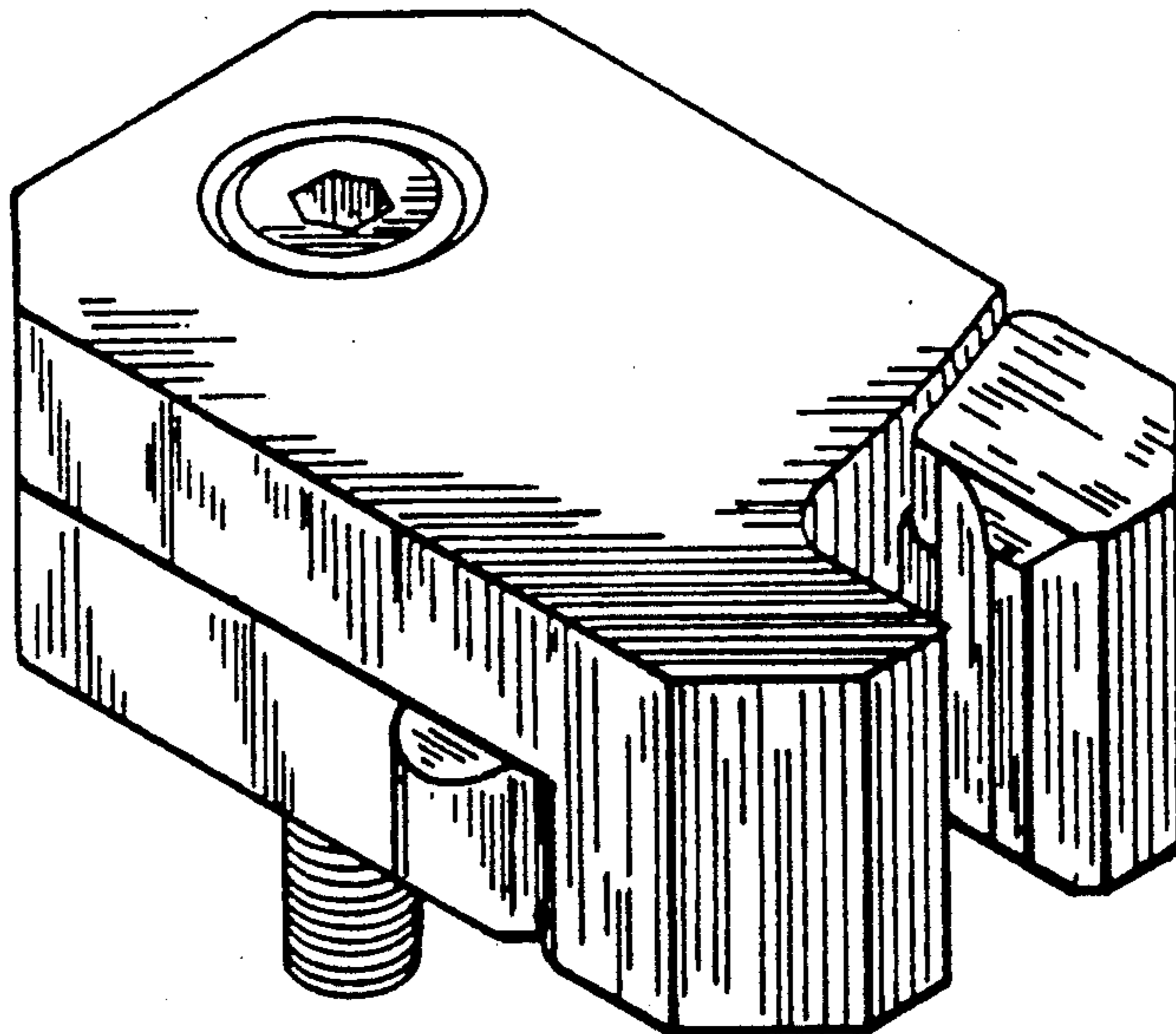
Attorney, Agent, or Firm—Michael W. York

[57] CLAIM

The ornamental design for a clamp, as shown and described.

DESCRIPTION

FIG. 1 is a front and left side perspective view of a clamp showing my new design;
 FIG. 2 is a front and right side perspective view thereof;
 FIG. 3 is a front elevational view thereof on a reduced scale;
 FIG. 4 is a right side elevational view thereof, with the screw separated and bracketed to show indeterminate length;
 FIG. 5 is a left side elevational view thereof;
 FIG. 6 is a top plan view thereof;
 FIG. 7 is a bottom plan view thereof; and
 FIG. 8 is a rear elevational view thereof.



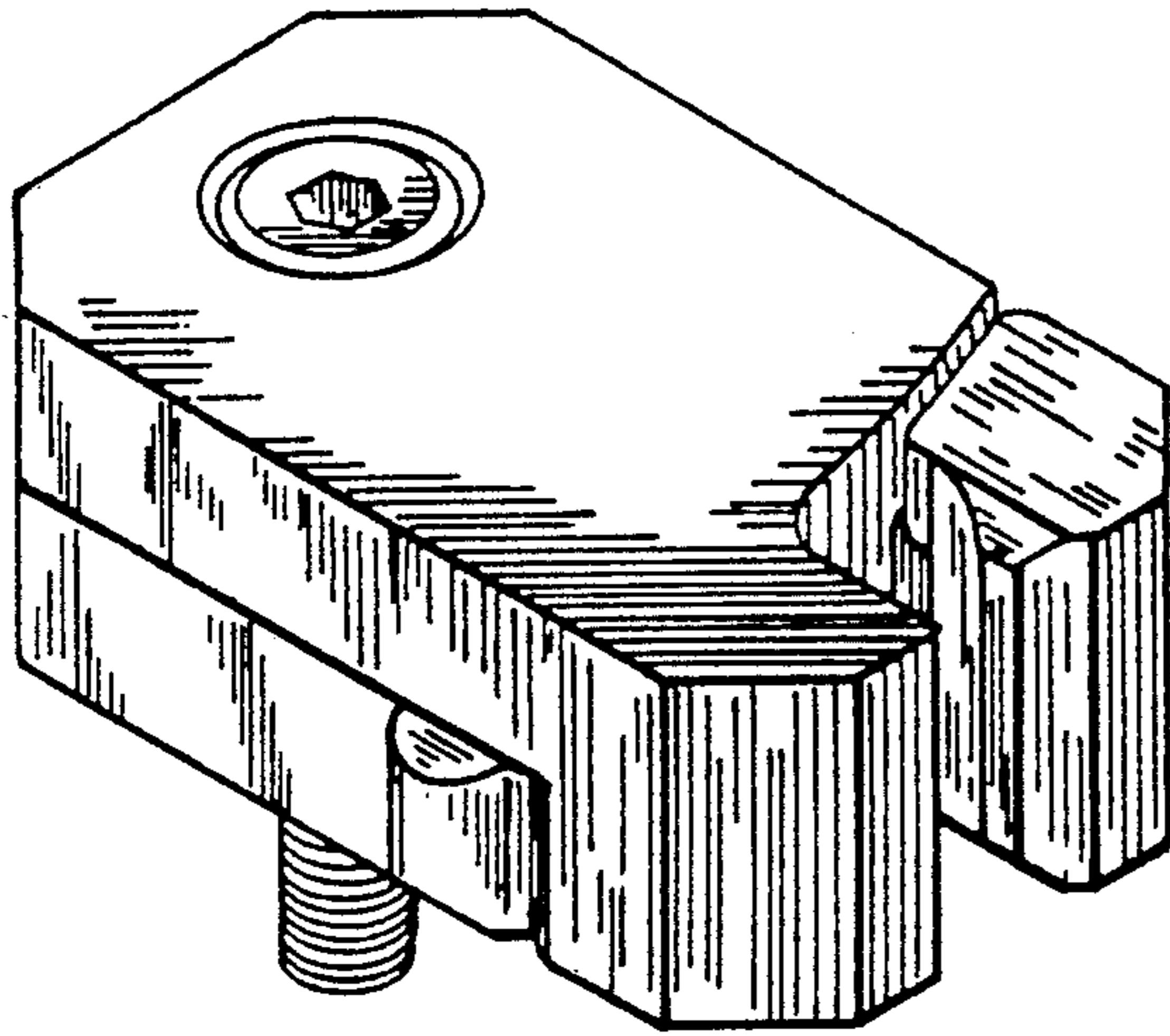


FIG. 1

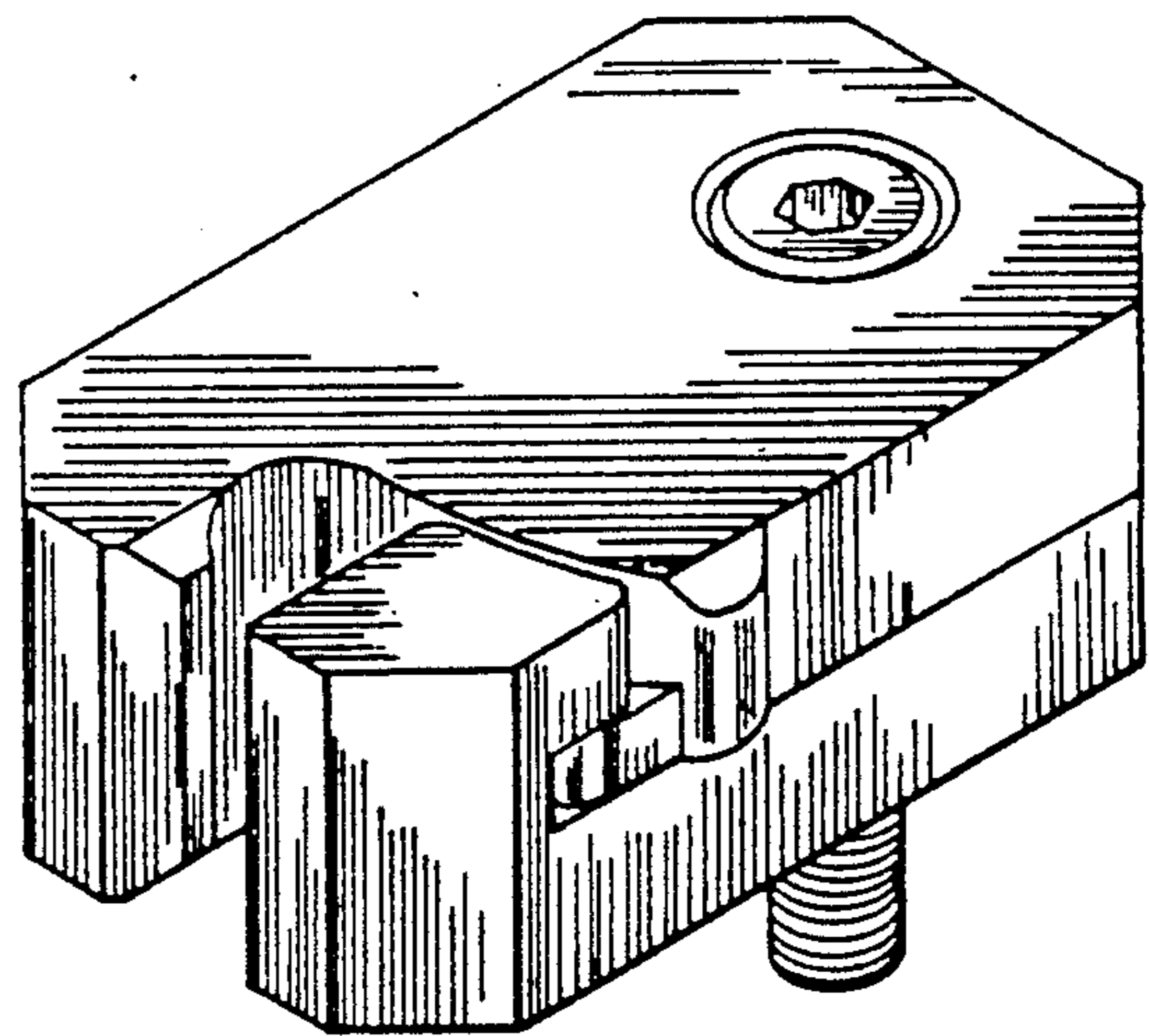


FIG. 2

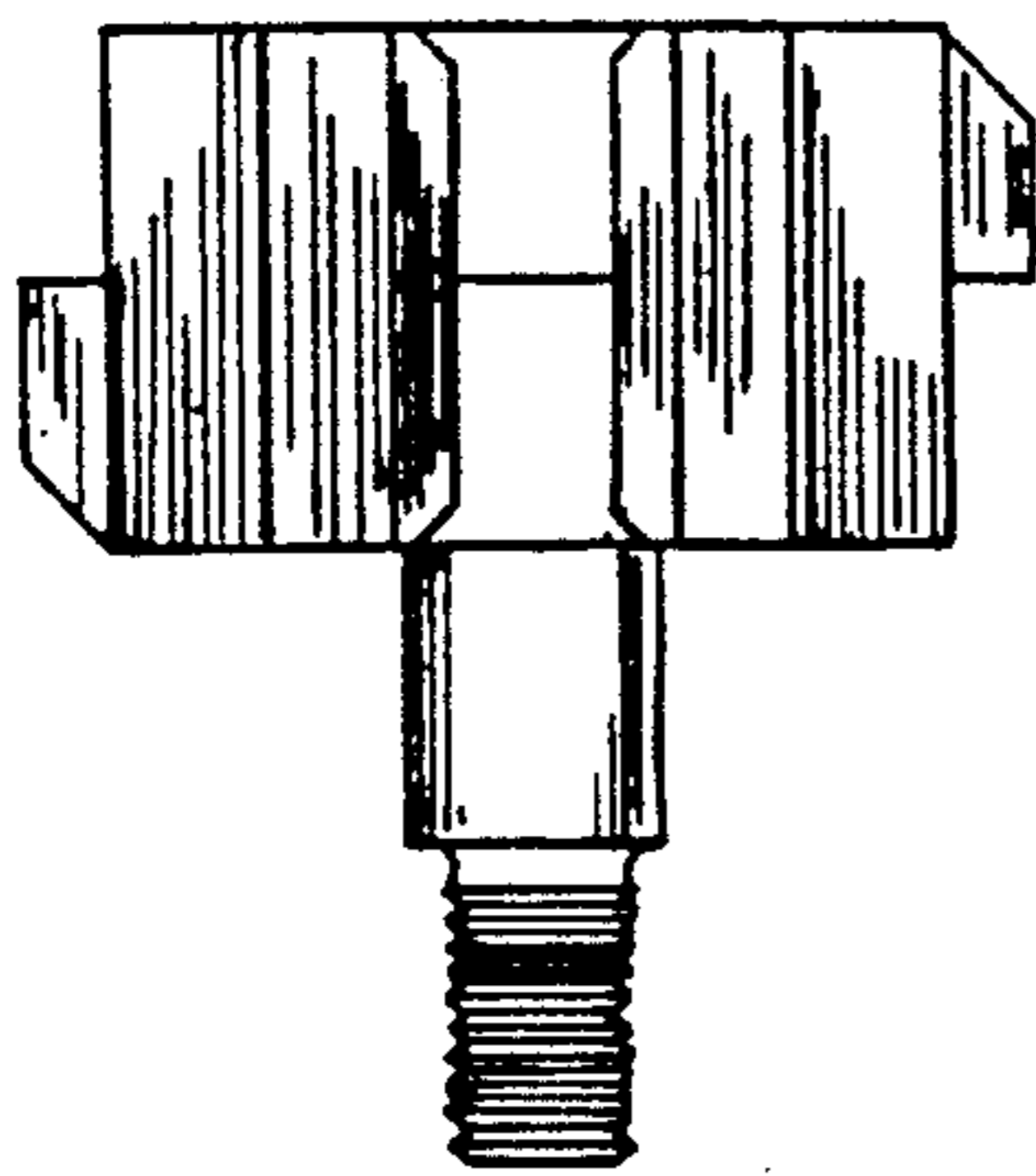


FIG. 3

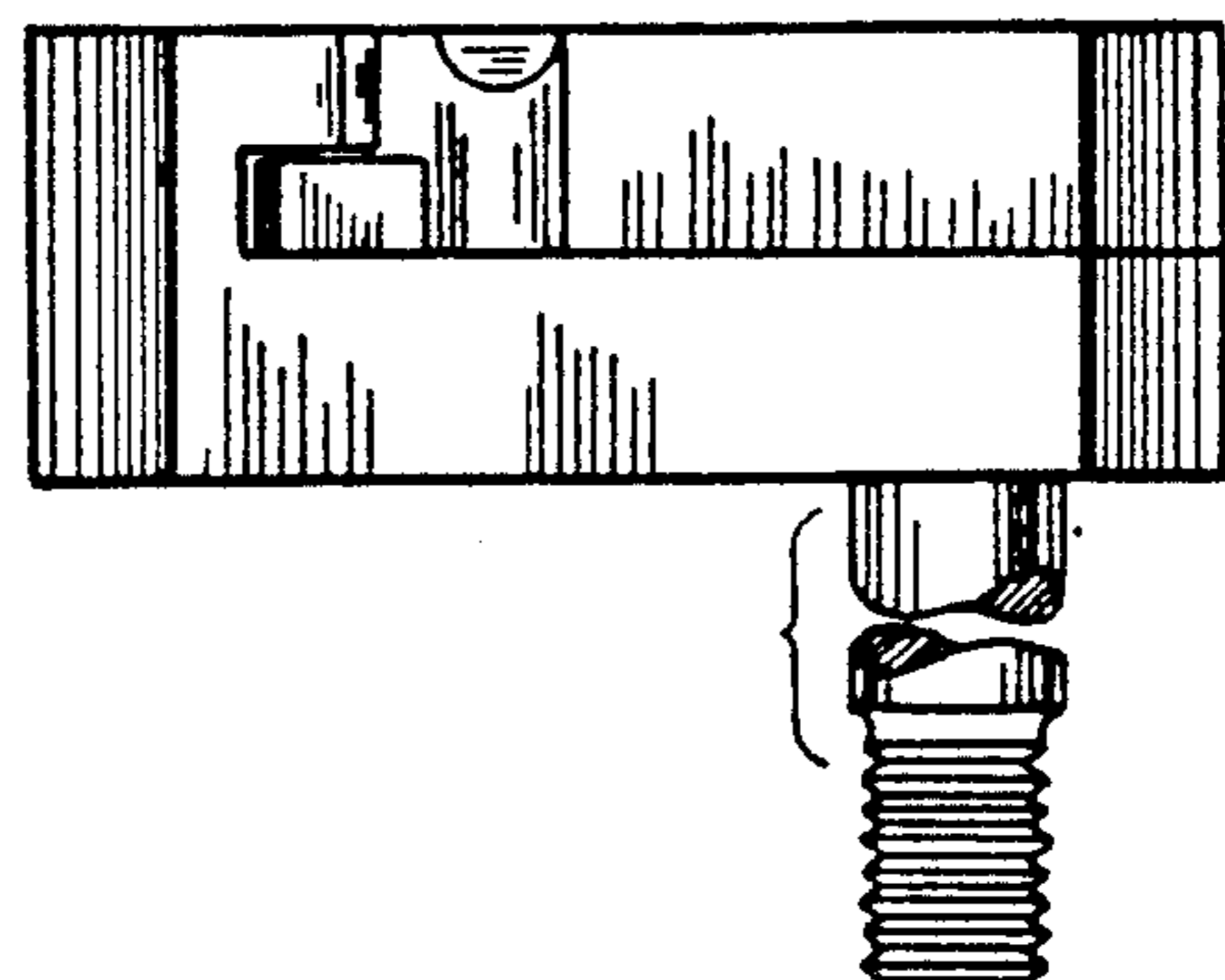


FIG. 4

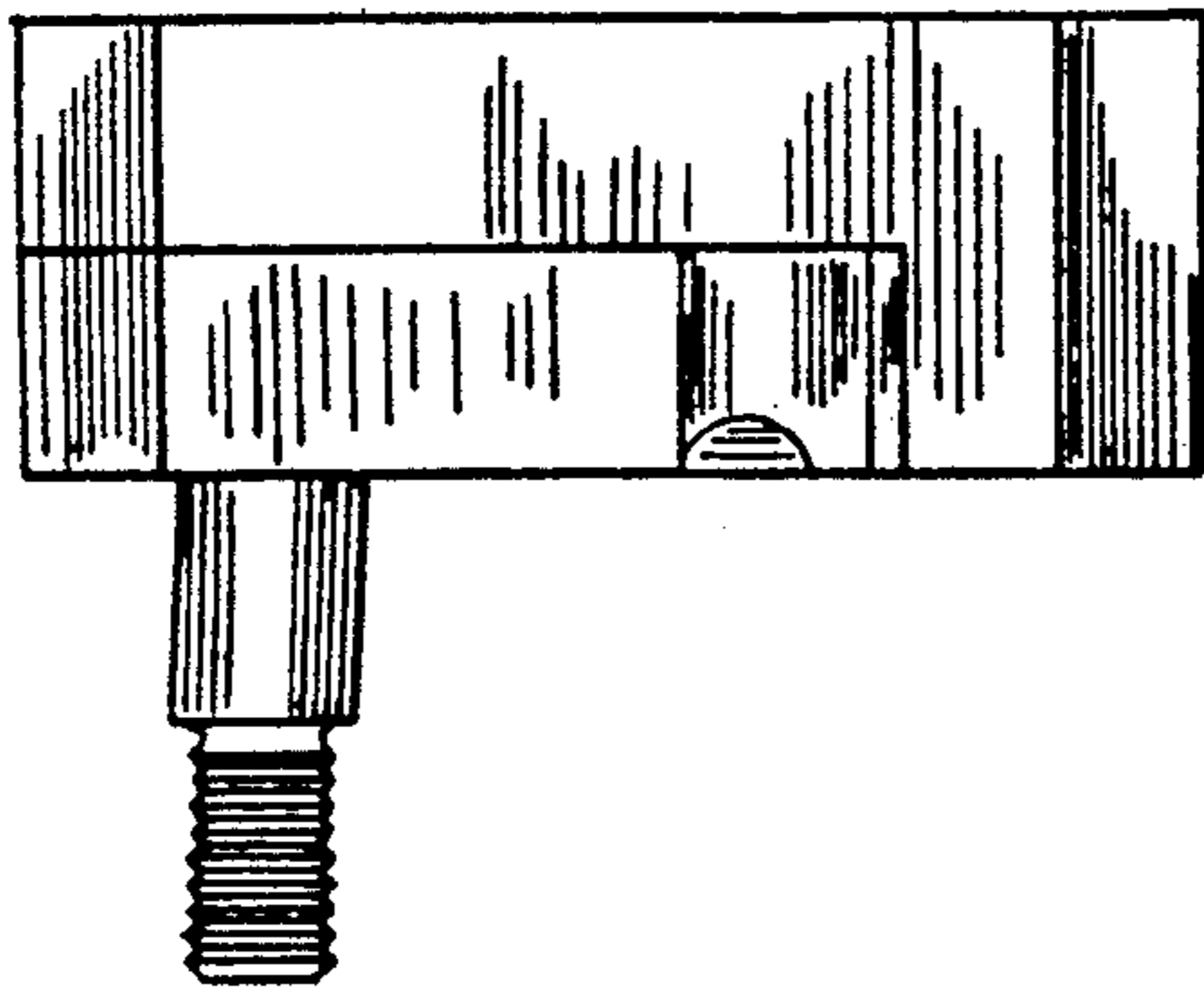


FIG. 5

FIG. 6

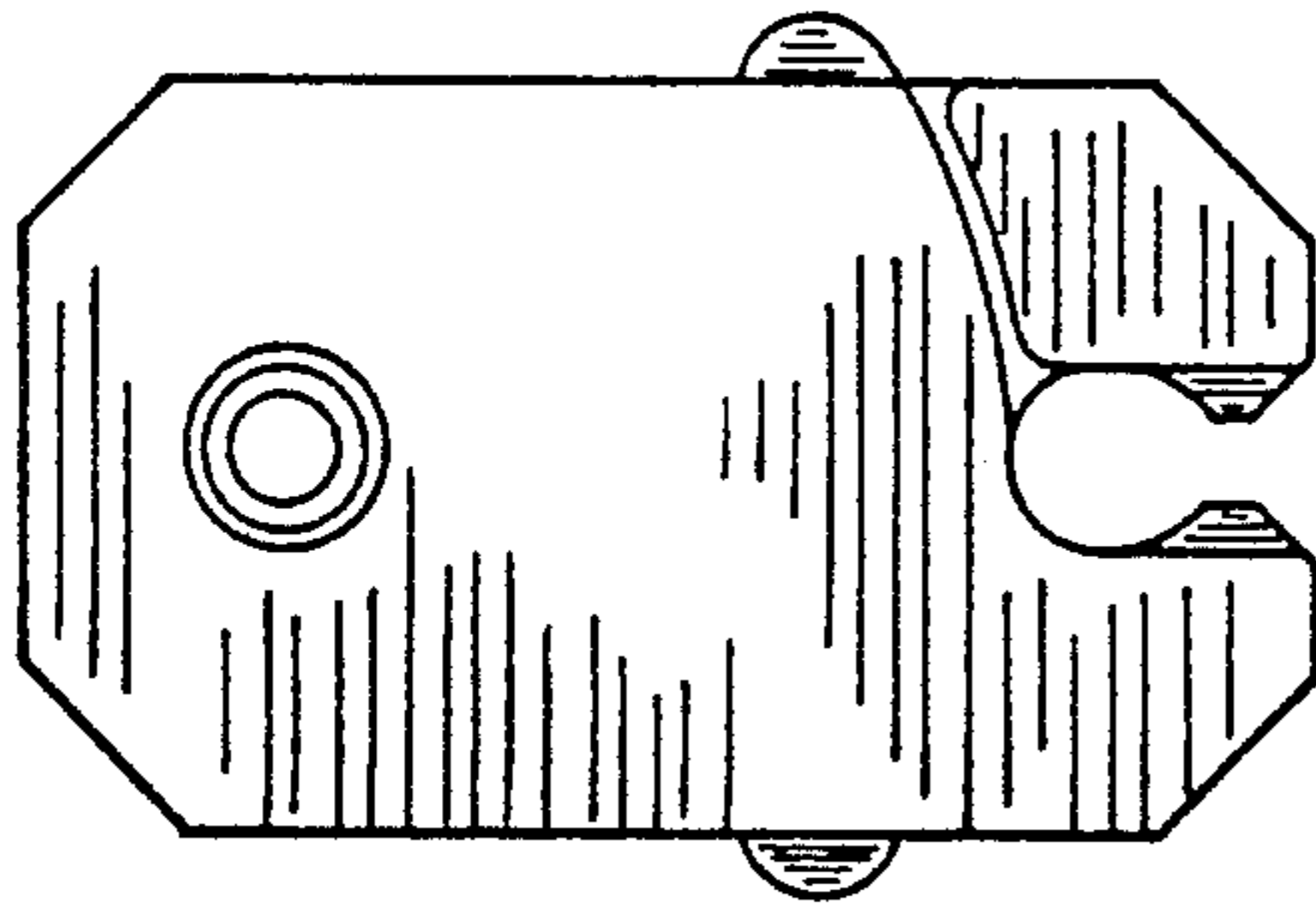
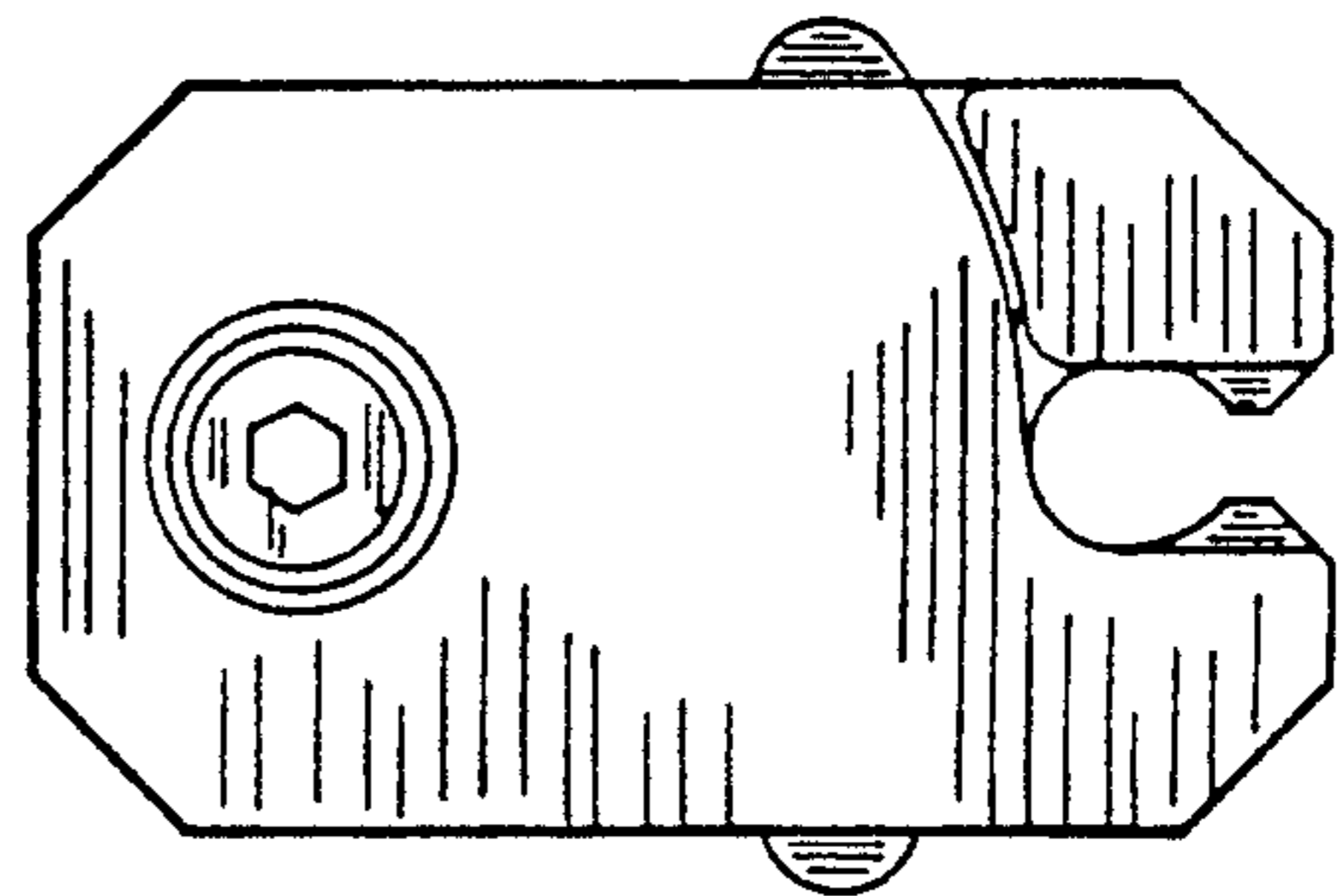


FIG. 7

FIG. 8

