

[54] COMBINED DIGITAL AUDIO DISC  
PLAYER, RADIO AND TAPE RECORDER

[75] Inventor: Makoto Takimoto, Osaka, Japan

[73] Assignee: Sharp Corporation, Osaka, Japan

[\*\*] Term: 14 Years

[21] Appl. No.: 440,016

[22] Filed: Nov. 21, 1989

[30] Foreign Application Priority Data

May 31, 1989 [JP] Japan ..... 1-20190

[52] U.S. Cl. .... D14/163; D14/168

[58] Field of Search ..... D14/160-165,  
D14/167-168, 188, 194-196, 156; 455/344,  
350, 351

[56] References Cited

U.S. PATENT DOCUMENTS

- D. 308,379 6/1990 Gato ..... D14/163
- D. 310,668 9/1990 Takada ..... D14/163
- D. 312,637 12/1990 Gato et al. .... D14/163

OTHER PUBLICATIONS

HFD; 01/04/88; p. 163; top right—Sharp Model QT-CD20.

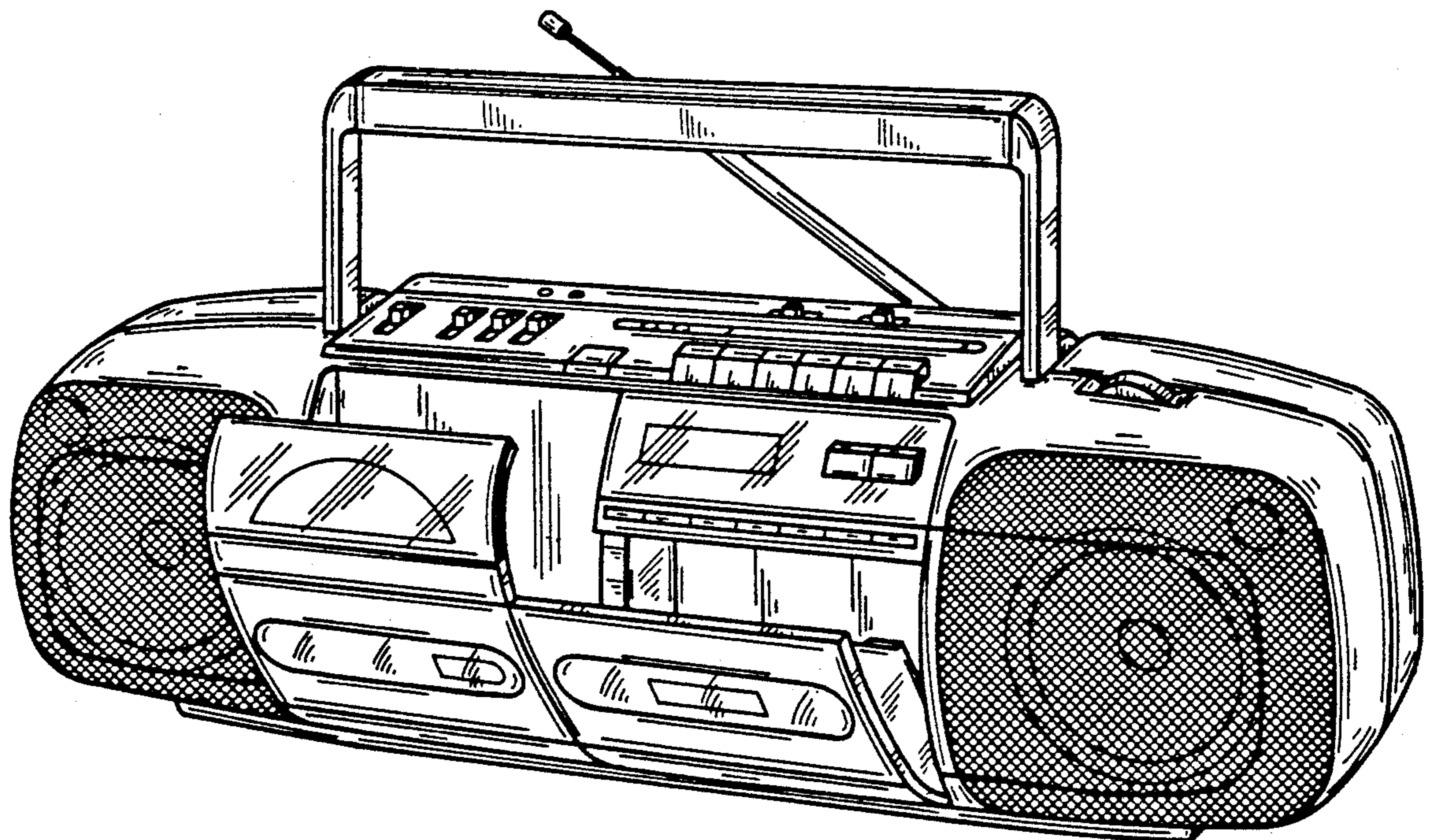
Primary Examiner—Theodore M. Shooman  
Attorney, Agent, or Firm—Flehr, Hohbach, Test,  
Albritton & Herbert

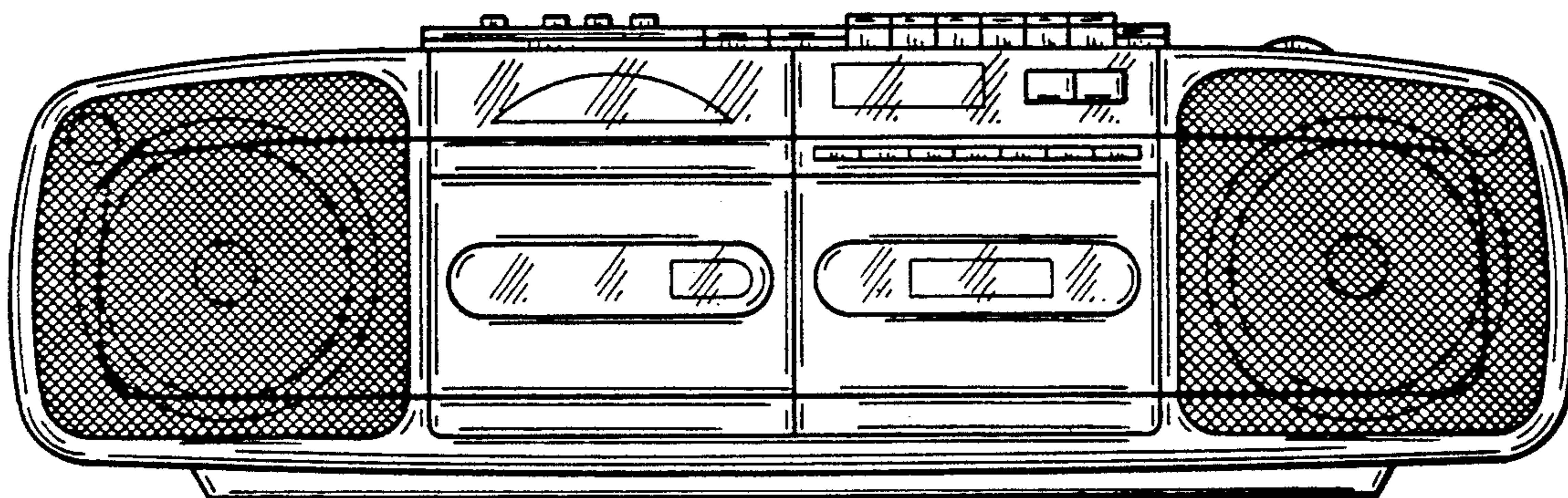
[57] CLAIM

The ornamental design for a combined digital audio disc player, radio and tape recorder, shown and described.

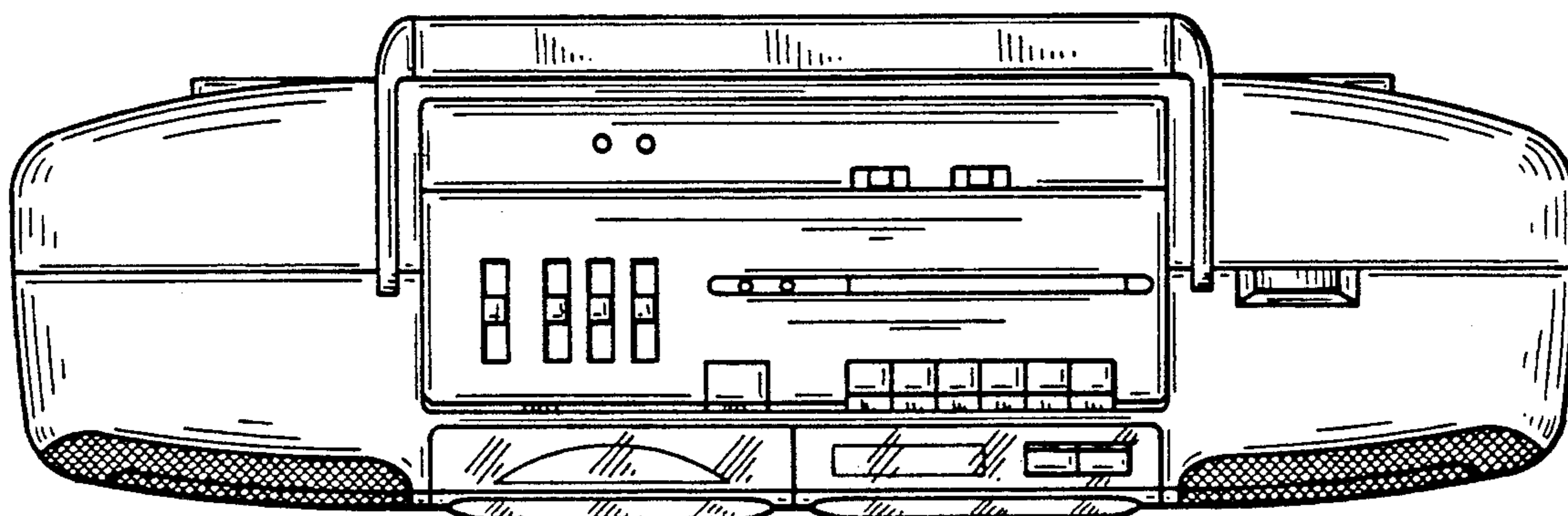
DESCRIPTION

FIG. 1 is a top, front and right side perspective view of a combined digital audio disc player, radio and tape recorder showing my new design with the antenna raised and the disc and cassette holders open; FIG. 2 is a front elevational view thereof; FIG. 3 is a rear elevational view thereof; FIG. 4 is a top plan view thereof; FIG. 5 is a bottom plan view thereof; FIG. 6 is a right side elevational view thereof; and FIG. 7 is a left side elevational view thereof.

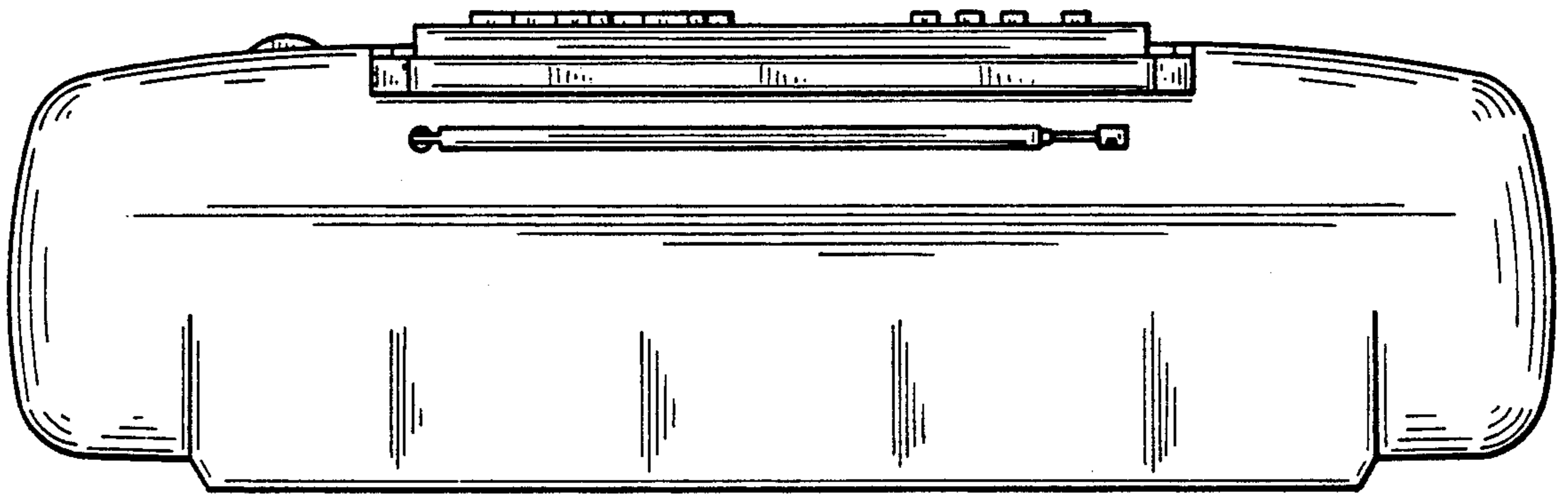




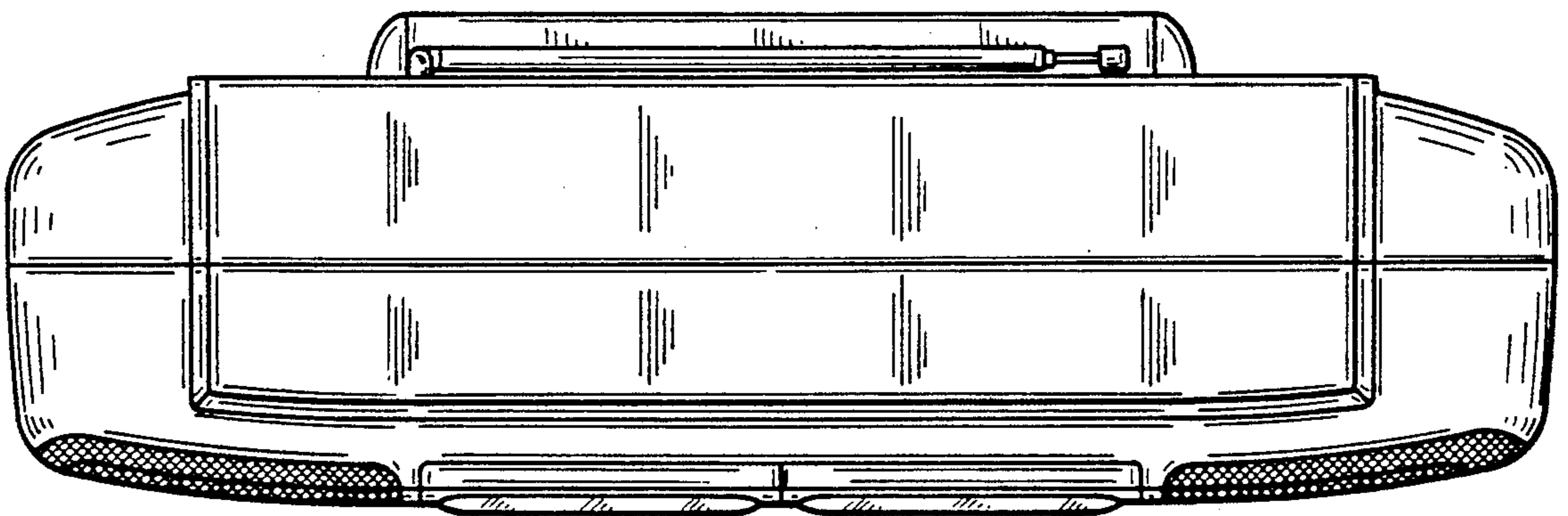
FIG\_2



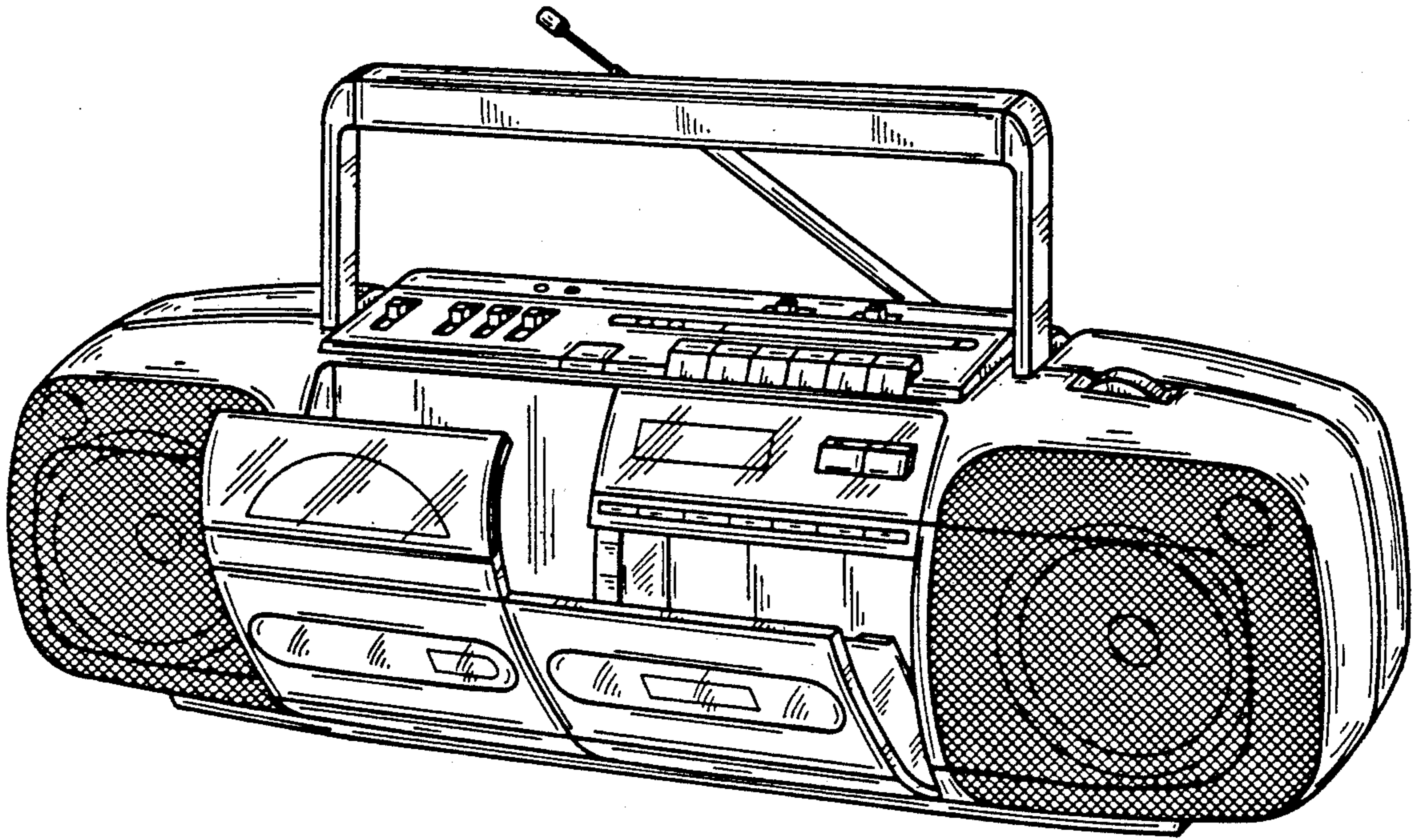
FIG\_4



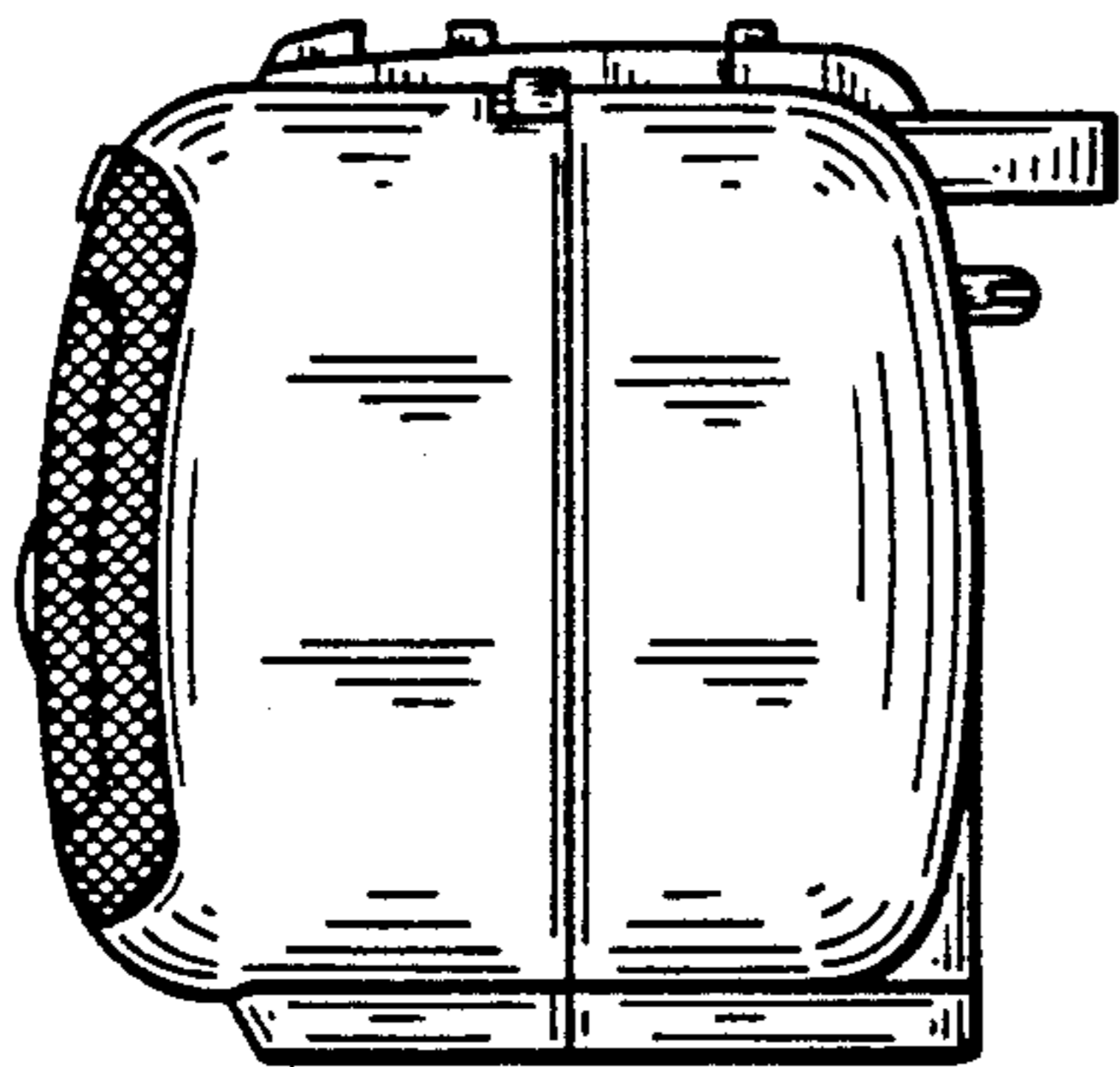
FIG\_3



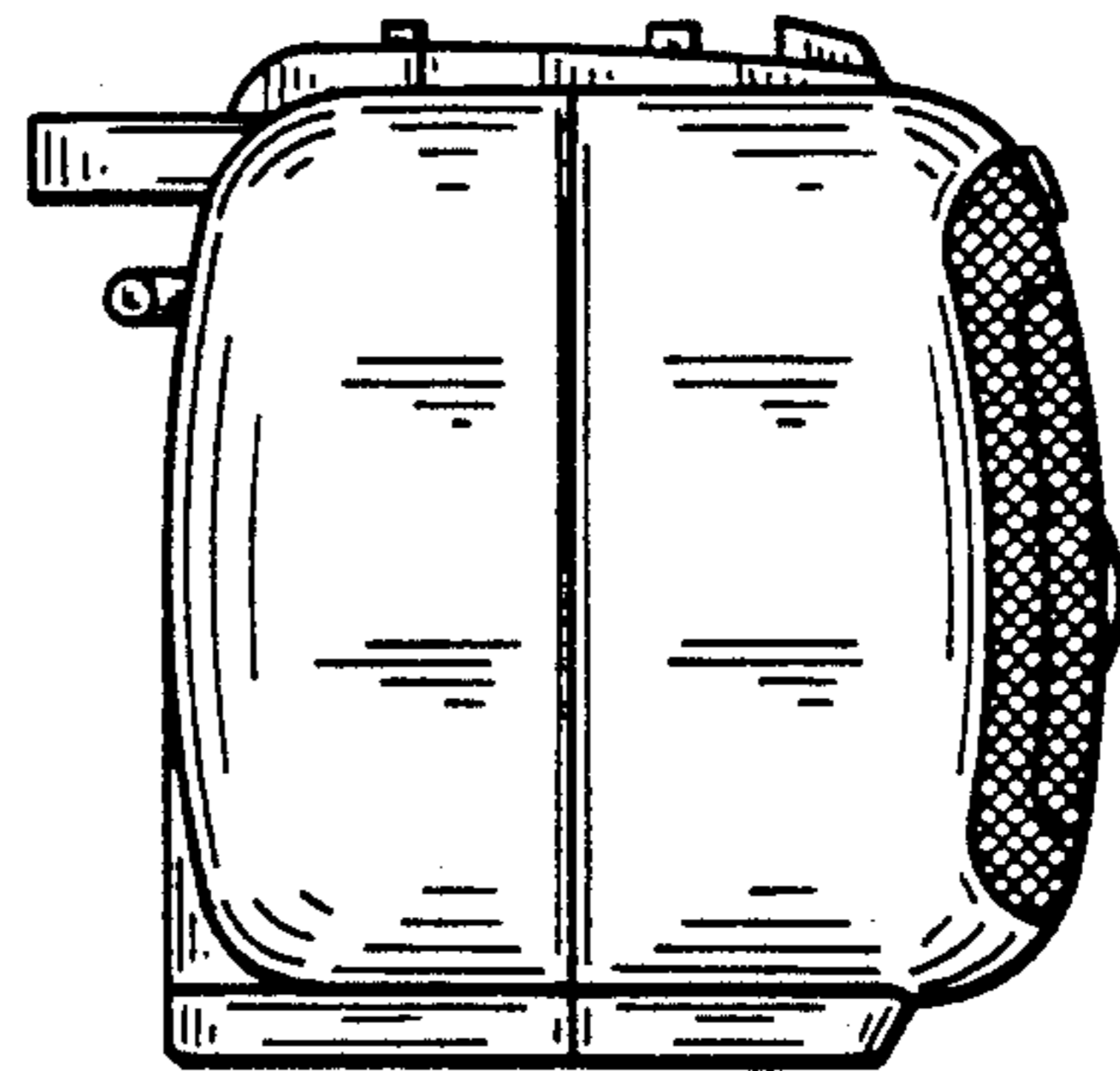
FIG\_5



FIG\_1



FIG\_6



FIG\_7