

[54] CABLE MANAGEMENT HOUSING FOR A COMPUTER WORK STATION

[75] Inventors: H. Charles Hassel, Los Angeles; Donald R. Westland, Venice, both of Calif.

[73] Assignee: MicroComputer Accessories Inc., Los Angeles, Calif.

[\*\*] Term: 14 Years

[21] Appl. No.: 234,288

[22] Filed: Aug. 19, 1988

[52] U.S. Cl. .... D13/155; D6/495; D6/491; D14/114

[58] Field of Search ..... D13/155; 439/110, 113, 439/114, 115; D14/114; D6/491, 495

[56] References Cited

U.S. PATENT DOCUMENTS

D. 240,988	8/1976	Gestranius	.....	D6/491
D. 281,299	11/1985	Esslinger	.....	D6/491
D. 293,098	12/1987	Layton	.....	D13/155
2,790,653	4/1957	Murphy	.....	285/156

OTHER PUBLICATIONS

Inmac Catalog, Sep. '86, p. 95, Cable Keepers, top middle of page.

Primary Examiner—James M. Gandy  
Assistant Examiner—Lisa Lichtenstein  
Attorney, Agent, or Firm—Richard B. O'Planick

[57] CLAIM

The ornamental design for a cable management housing for a computer work station, as shown and described.

DESCRIPTION

FIG. 1 is a front perspective view of a cable management housing for computer work station showing our new design, the broken line showing of environmental structure is for illustrative purposes only and forms no part of the claimed design;

FIG. 2 is an enlarged front elevation view thereof;

FIG. 3 is an enlarged rear elevation view thereof;

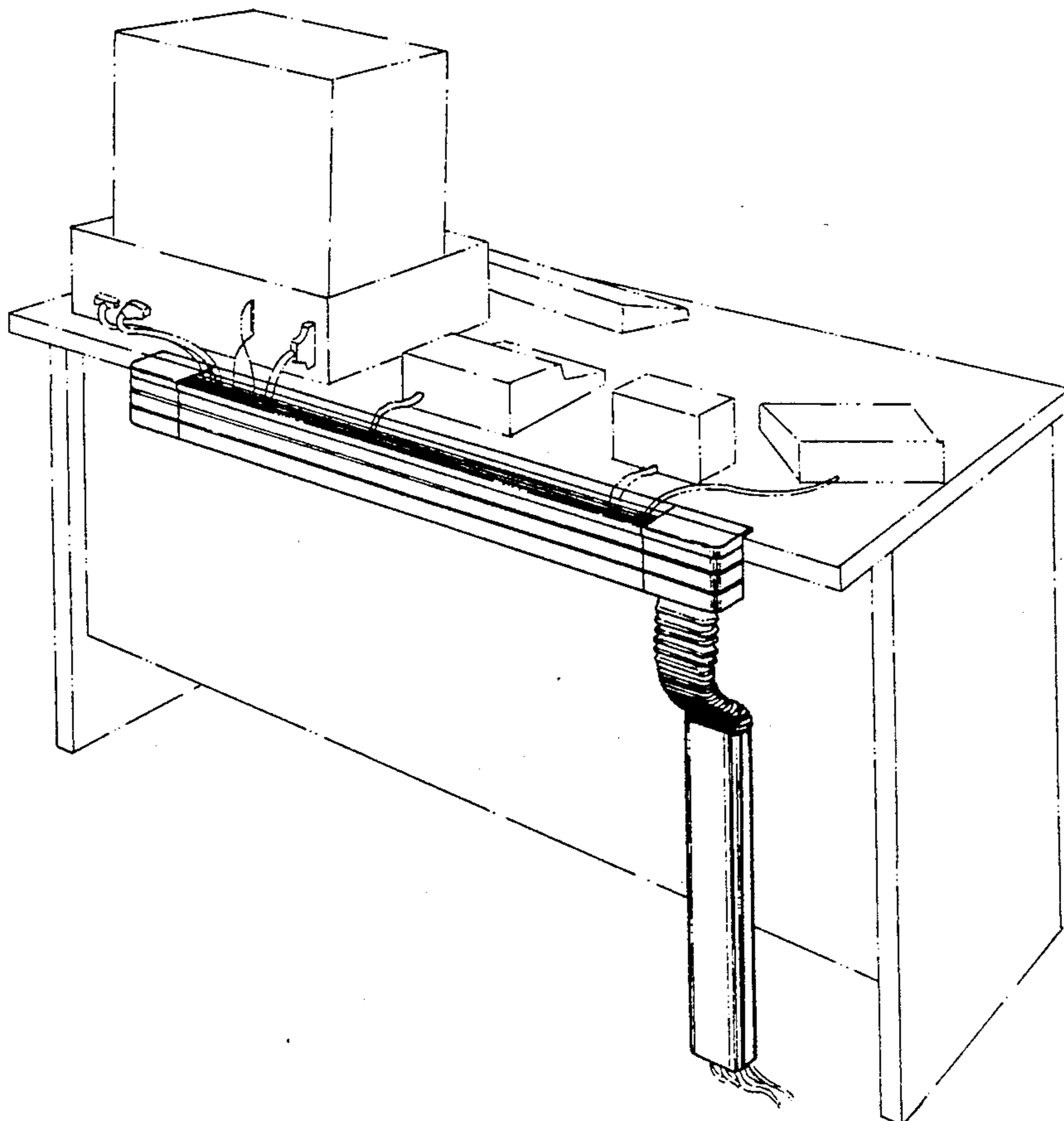
FIG. 4 is an enlarged top plan view thereof;

FIG. 5 is an enlarged bottom plan view thereof;

FIG. 6 is a slightly enlarged right side elevation view thereof, the opposite side being a mirror image of that shown;

FIG. 7 is a greatly enlarged cross-sectional view thereof taken along line 7—7 in FIG. 2;

FIG. 8 is a greatly enlarged cross-sectional view thereof taken along line 8—8, in FIG. 2.



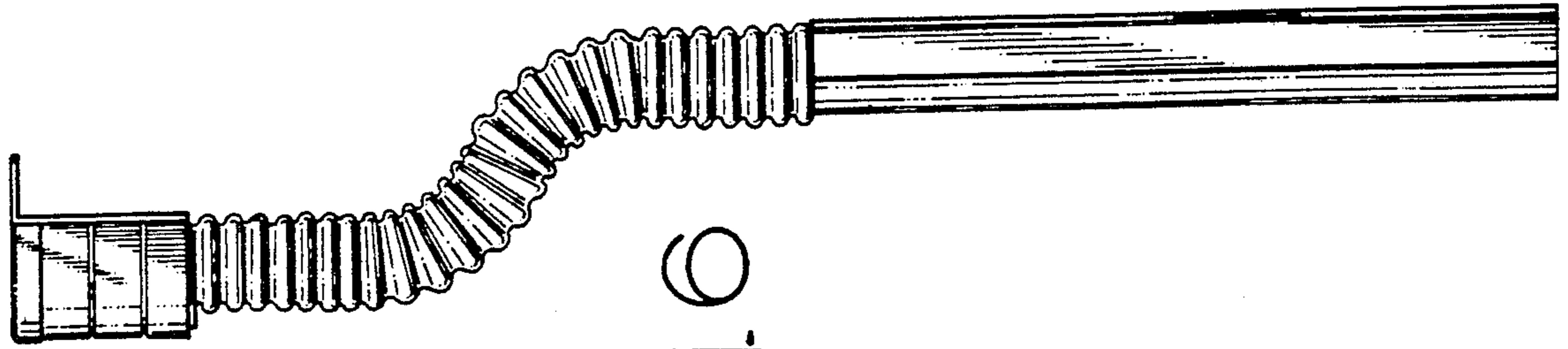


FIG. 6

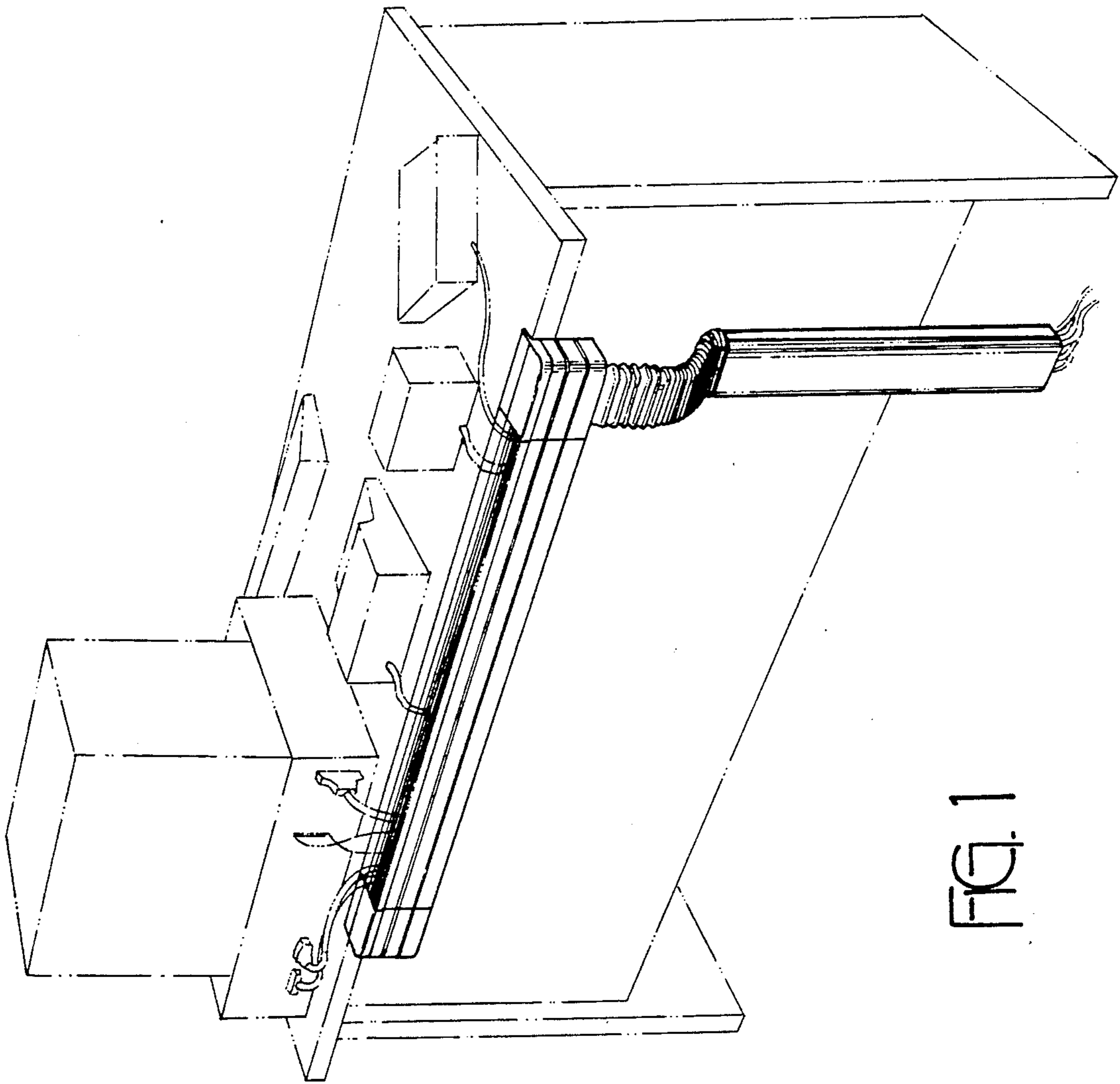
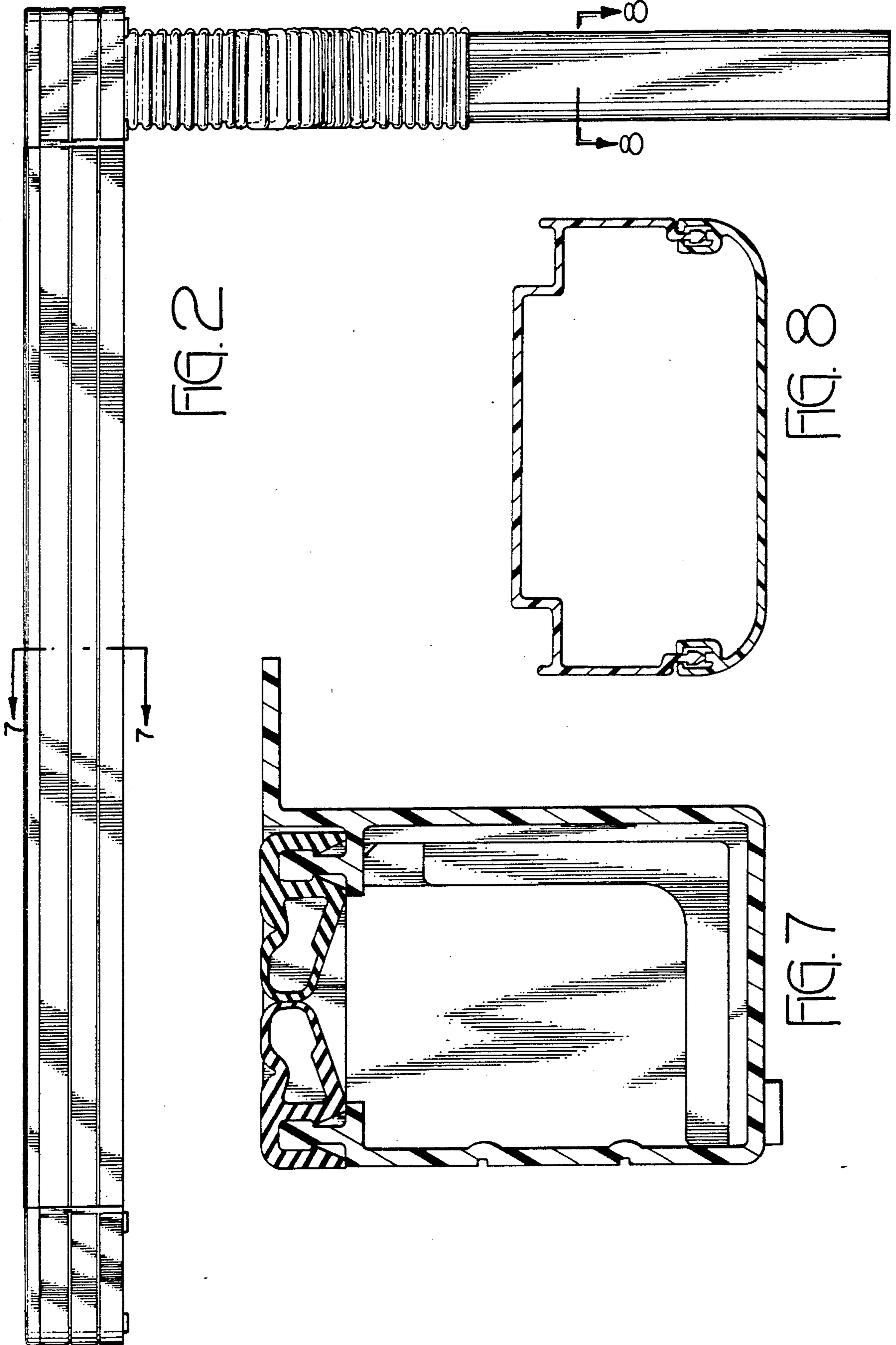


FIG. 1



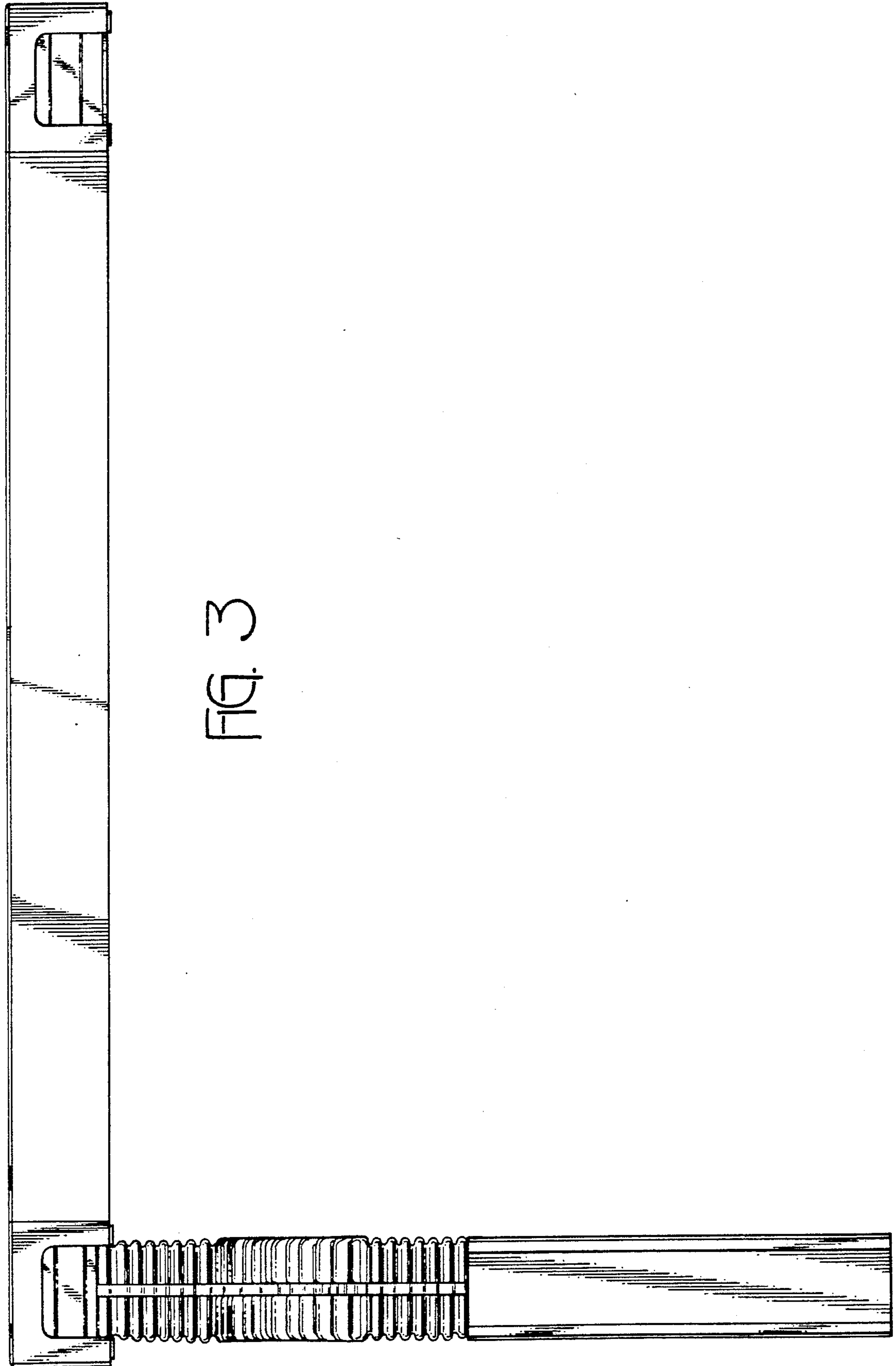


FIG. 3

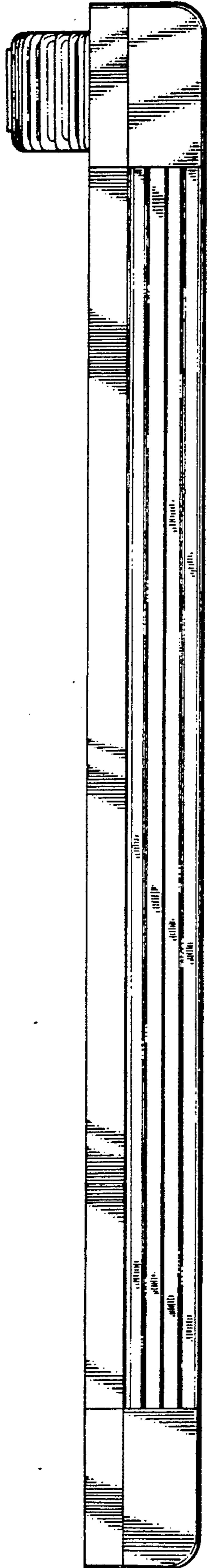


FIG. 4

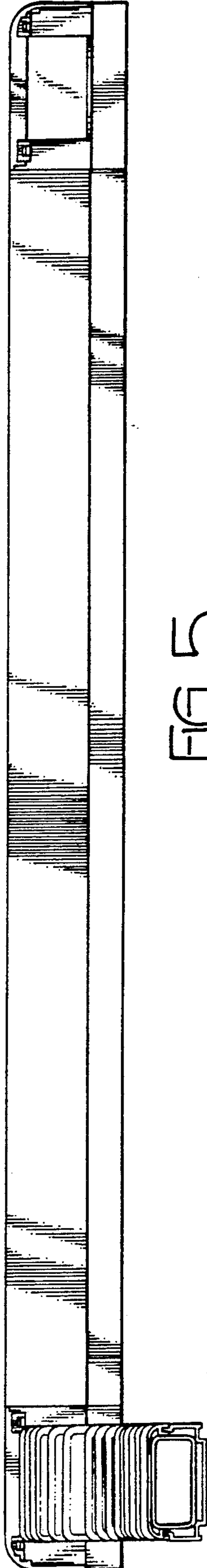


FIG. 5