

[54] COVER FOR AN ELECTRICAL CONNECTOR

[75] Inventors: Ryuetsu Oikawa; Ken Goto, both of Shizuoka, Japan

[73] Assignee: Yazaki Corporation, Japan

[**] Term: 14 Years

[21] Appl. No.: 169,725

[22] Filed: Mar. 18, 1988

[30] Foreign Application Priority Data

Sep. 18, 1987 [JP] Japan 62-37861

[52] U.S. Cl. D13/156

[58] Field of Search D13/156; 361/380, 392, 361/394, 413, 426, 334, 432; 439/355, 660, 892

[56] References Cited

U.S. PATENT DOCUMENTS

- 4,032,209 6/1977 Rutkowski 439/355
- 4,640,985 2/1987 Martin et al. 439/892
- 4,907,126 3/1990 Hendel 361/380

FOREIGN PATENT DOCUMENTS

2819971 11/1979 Fed. Rep. of Germany 439/660

OTHER PUBLICATIONS

Malco Bulletin No. 611-C, 1967, Cover III, Electrical Connector Housing.

Primary Examiner—James M. Gandy

Assistant Examiner—Melody Brown

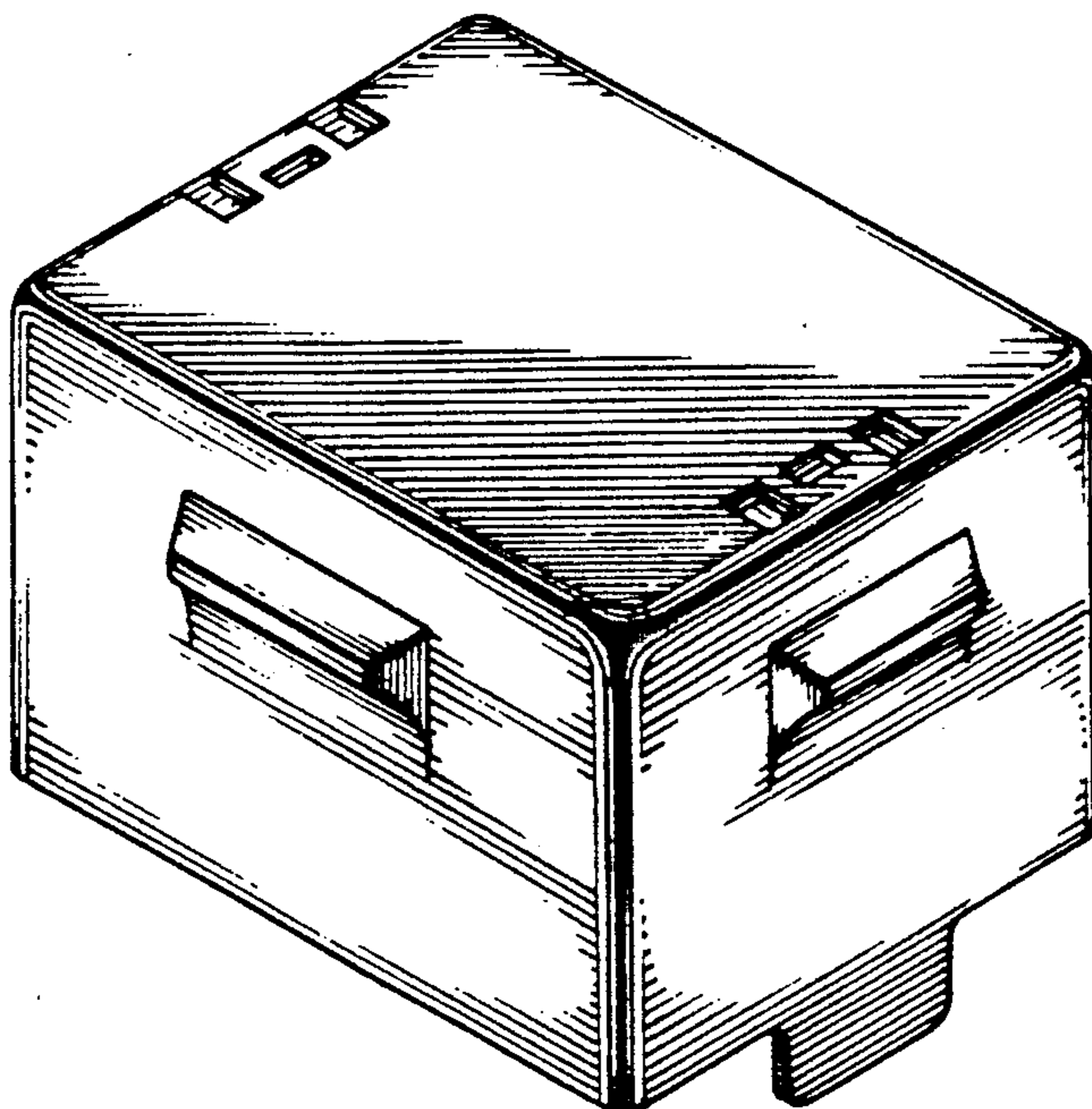
Attorney, Agent, or Firm—Jones, Askew & Lunsford

[57] CLAIM

The ornamental design for a cover for an electrical connector, as shown and described.

DESCRIPTION

FIG. 1 is a perspective view of a cover for an electrical connector showing our new design;
 FIG. 2 is a front elevation view thereof, the rear being a mirror image of that shown;
 FIG. 3 is a bottom plan view thereof;
 FIG. 4 is a side elevation view thereof, the opposite side being a mirror image of that shown; and
 FIG. 5 is a top plan view thereof.



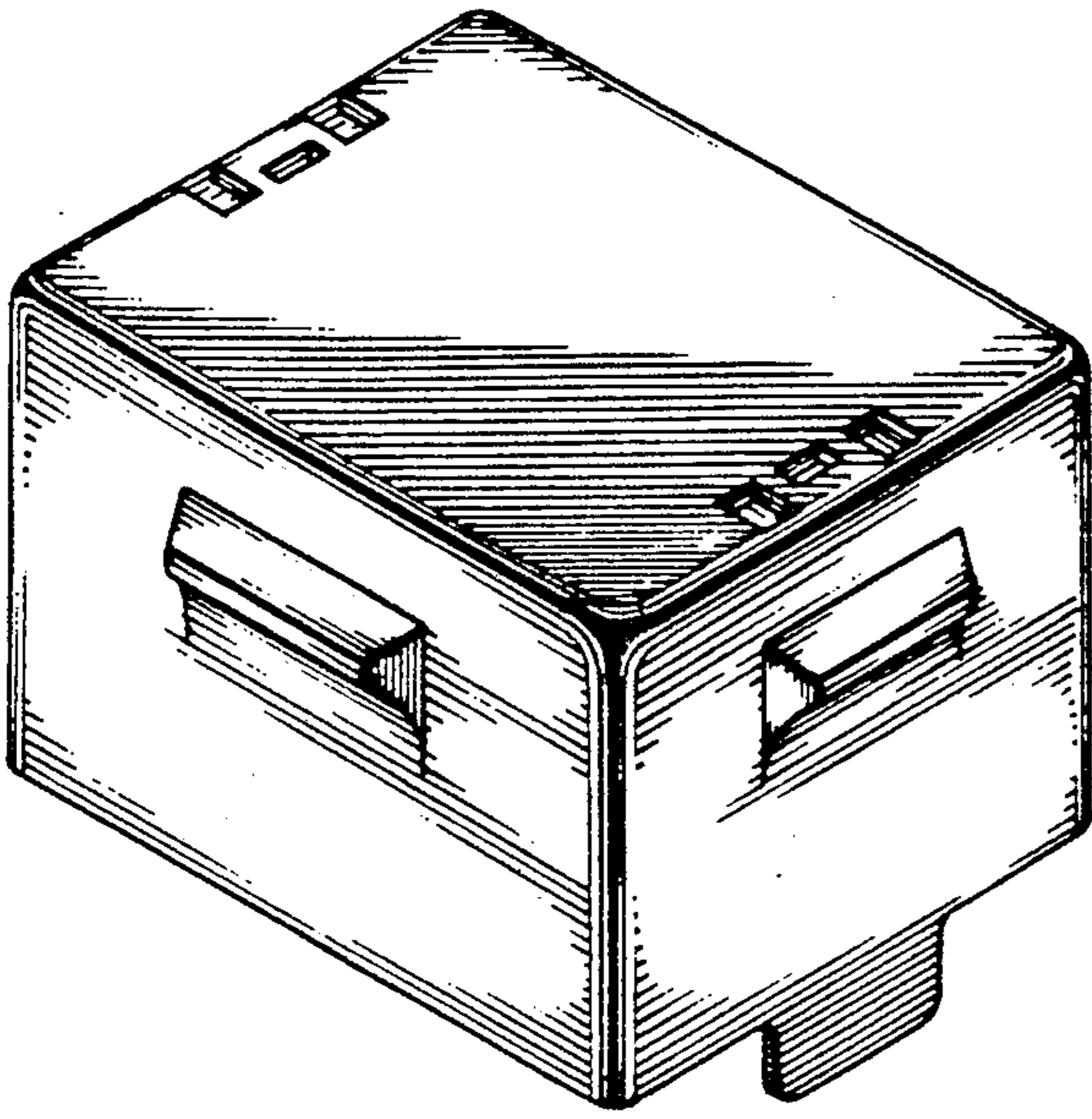


FIG 1

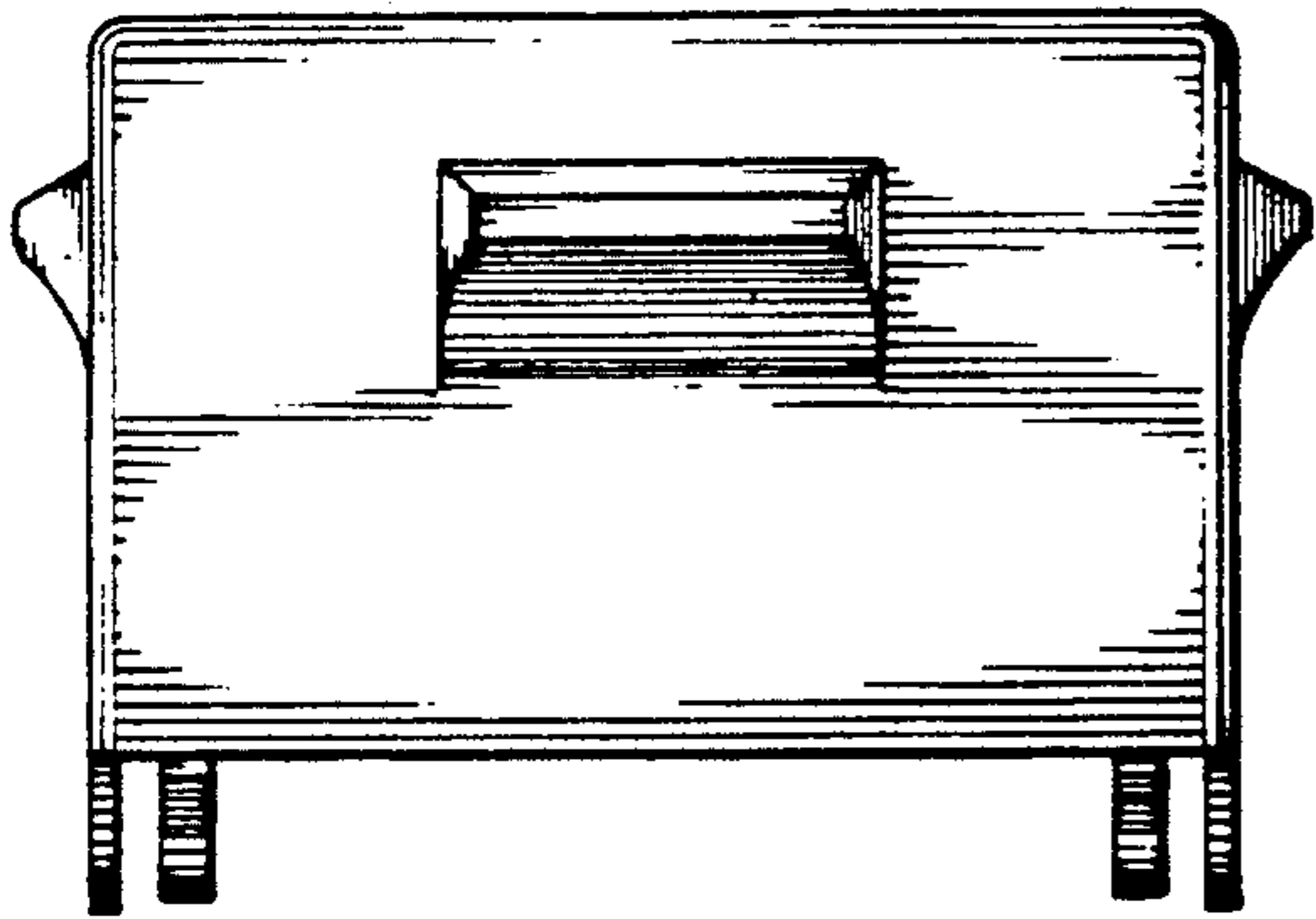


FIG 2

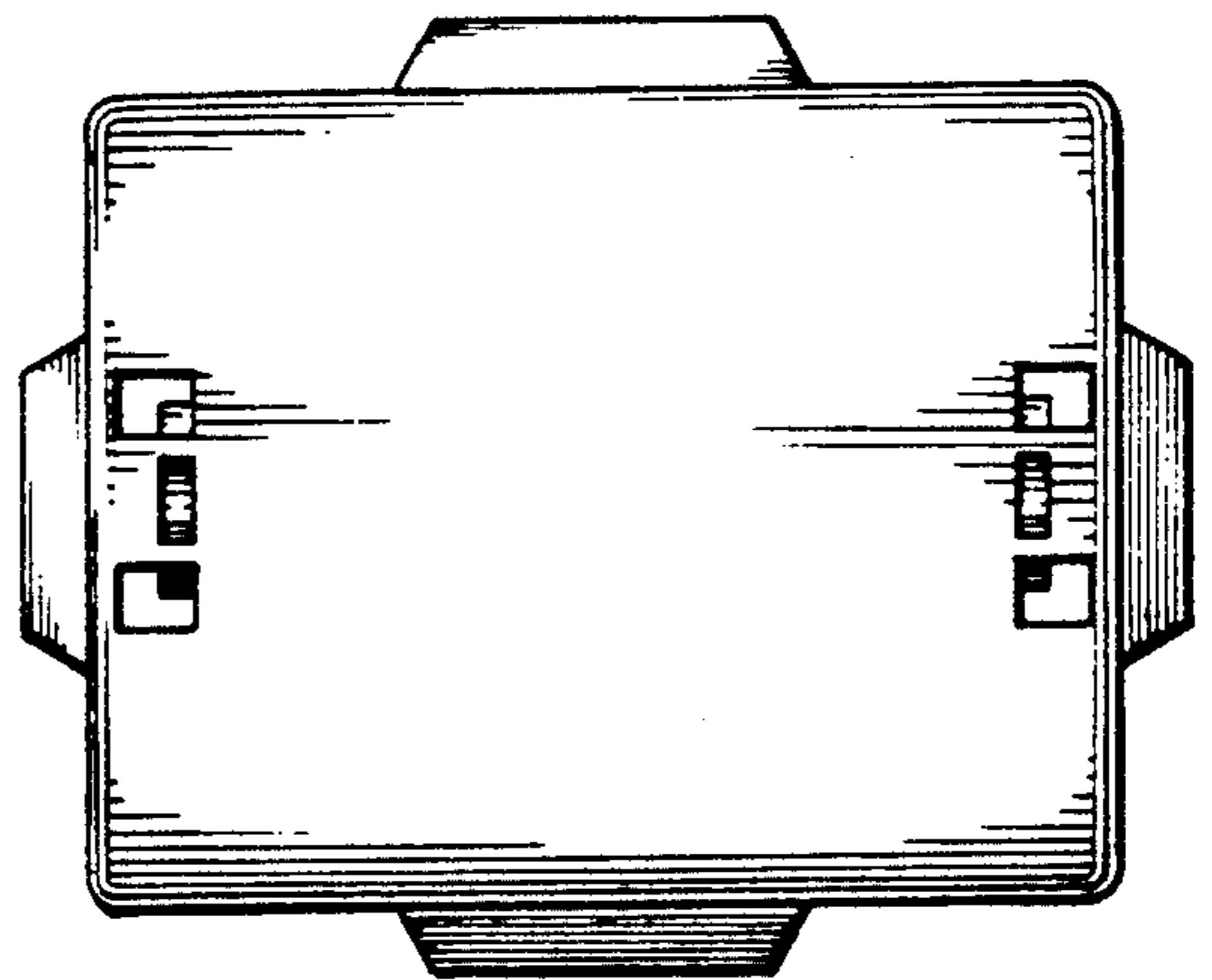


FIG 5

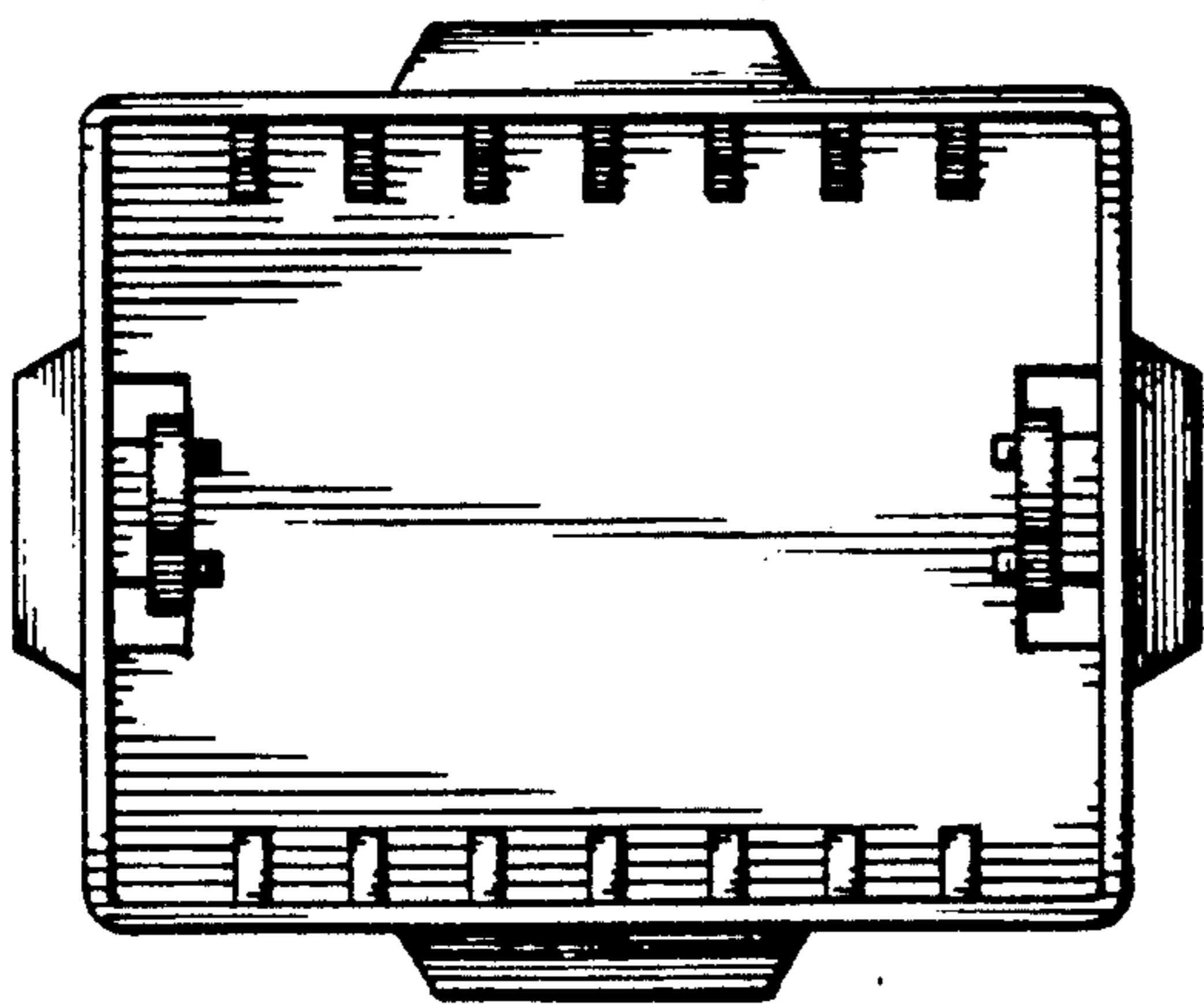


FIG 3

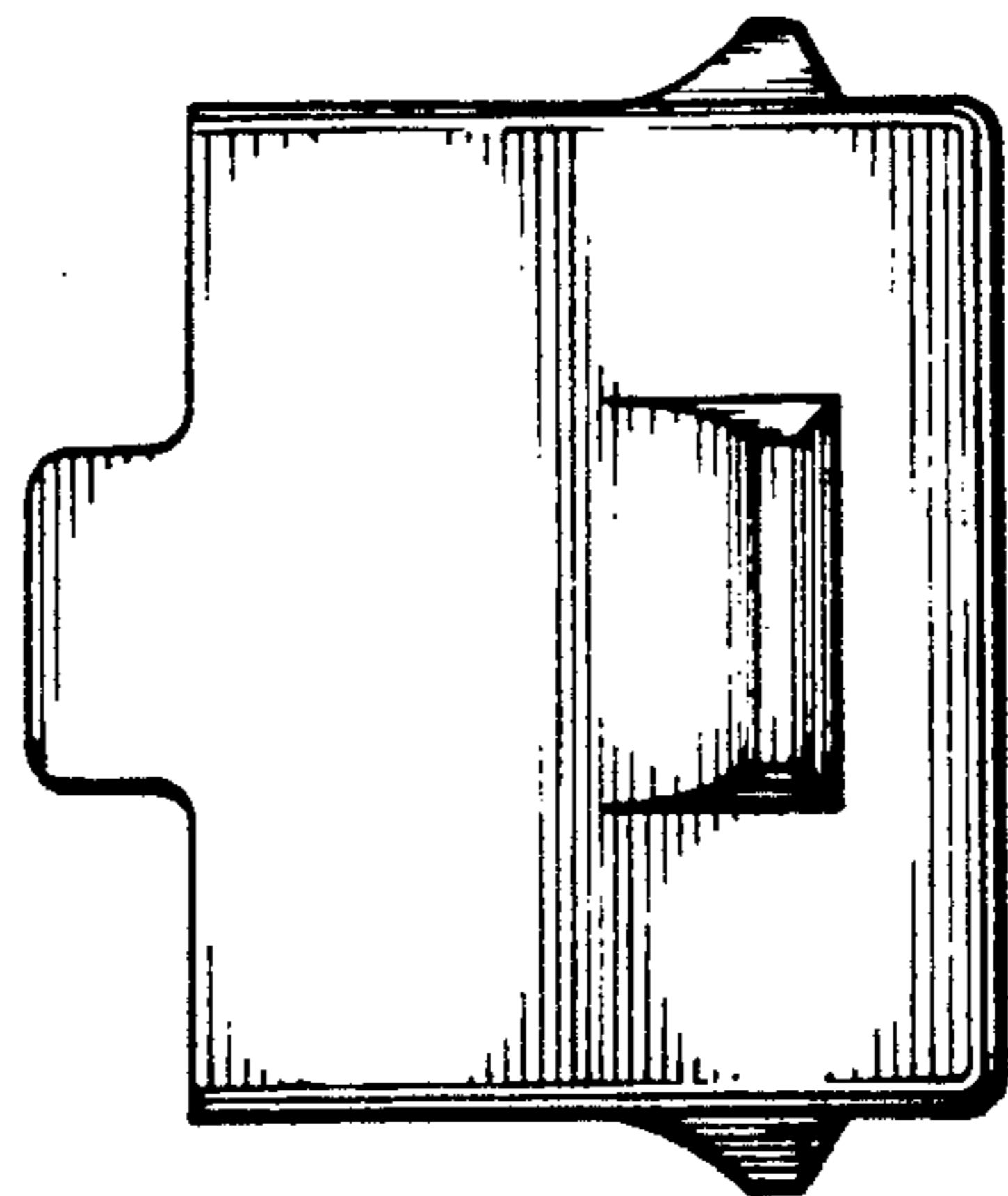


FIG 4