

[54] ELECTRICAL CONNECTOR RECEPTACLE

[75] Inventor: Shuichi Matsuzaki, Tokyo, Japan

[73] Assignee: Hirose Electric Co., Ltd., Tokyo, Japan

[\*\*] Term: 14 Years

[21] Appl. No.: 237,007

[22] Filed: Aug. 26, 1988

[30] Foreign Application Priority Data

Mar. 7, 1988 [JP] Japan ..... 63-9204

[52] U.S. Cl. .... D13/147

[58] Field of Search ..... D13/133, 146, 147; 439/353, 344, 357, 544, 550, 571, 572, 586, 587, 595, 603, 660, 682, 685, 686, 687, 695, 696, 701

[56] References Cited

U.S. PATENT DOCUMENTS

D. 295,971 5/1988 Kikuta ..... D13/147  
4,572,602 2/1986 Rupnik ..... D13/147 X  
4,629,266 12/1986 Viselli ..... 439/344 X

OTHER PUBLICATIONS

AMP Connector on p. 53 of the 1-87 *Design News*.

Primary Examiner—Susan J. Lucas

Assistant Examiner—Joel Sincavage

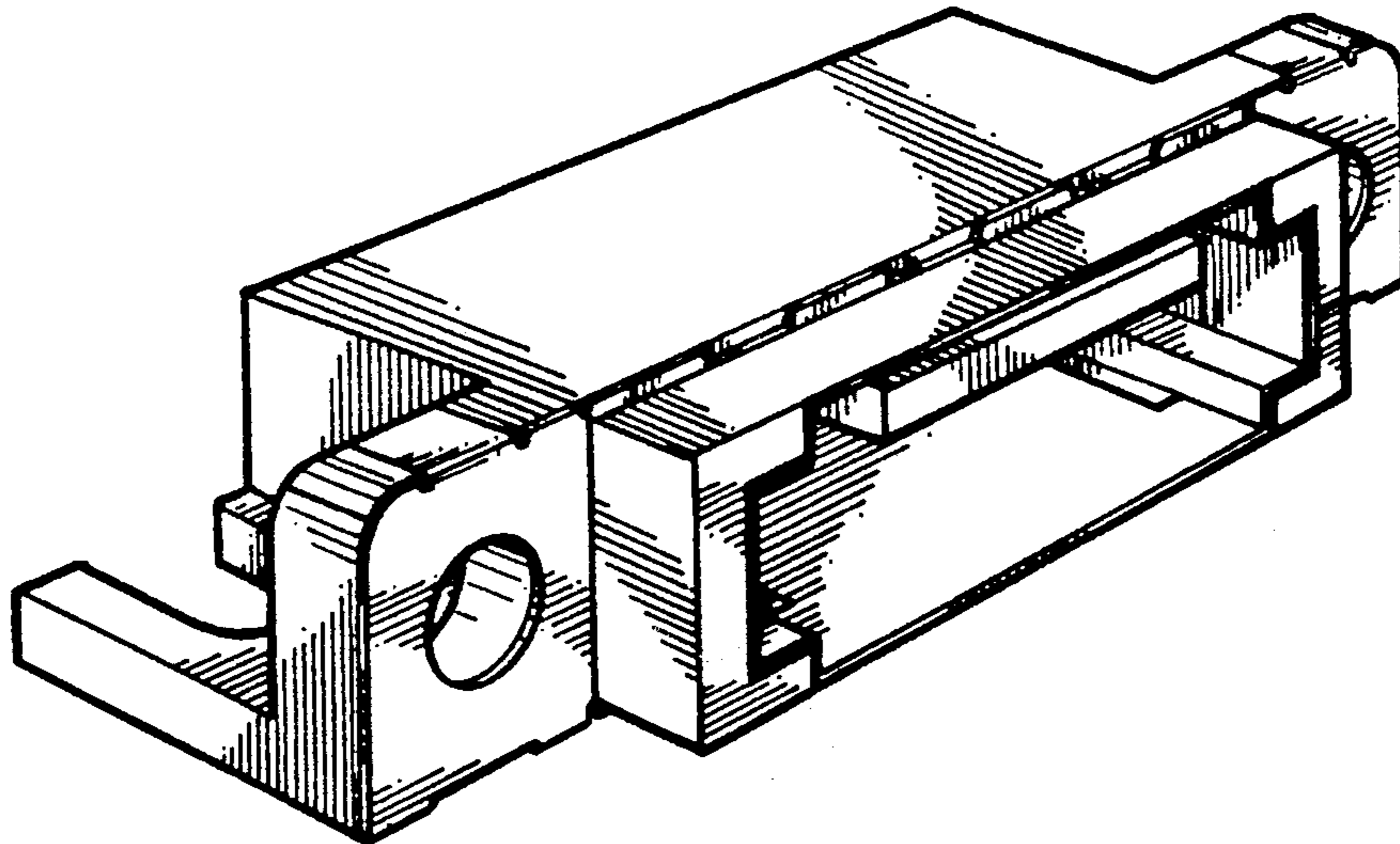
Attorney, Agent, or Firm—Kanesaka & Takeuchi

[57] CLAIM

The ornamental design for an electrical connector receptacle, as shown and described.

DESCRIPTION

FIG. 1 is a top plan view of an electrical connector receptacle showing my new design; FIG. 2 is a front elevational view thereof; FIG. 3 is a bottom plan view thereof; FIG. 4 is a cross-sectional view thereof taken along line 4—4 of FIG. 2; FIG. 5 is a right side elevational view thereof, the left side elevational view being a mirror image; FIG. 6 is a rear elevational view thereof; and FIG. 7 is a perspective view thereof as seen from the front and upper left.



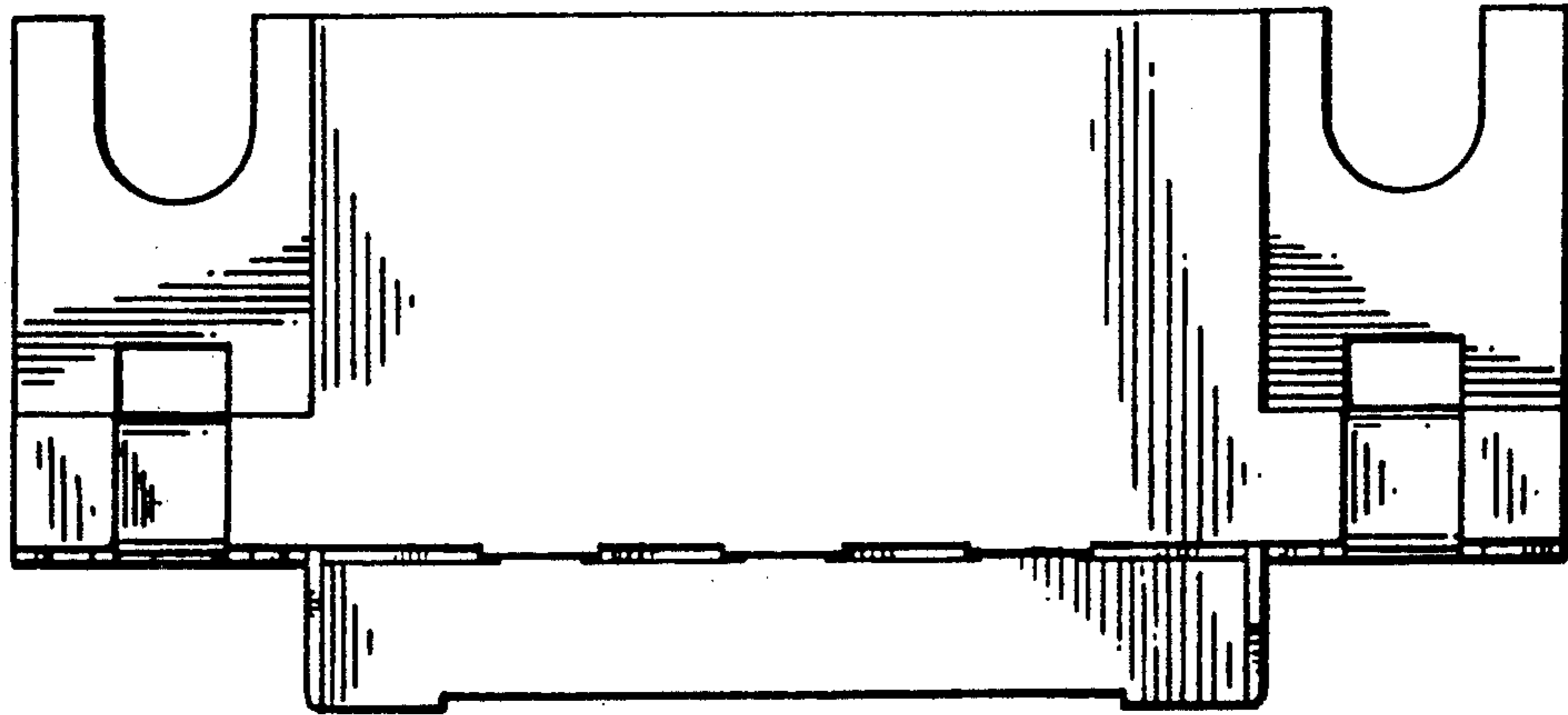
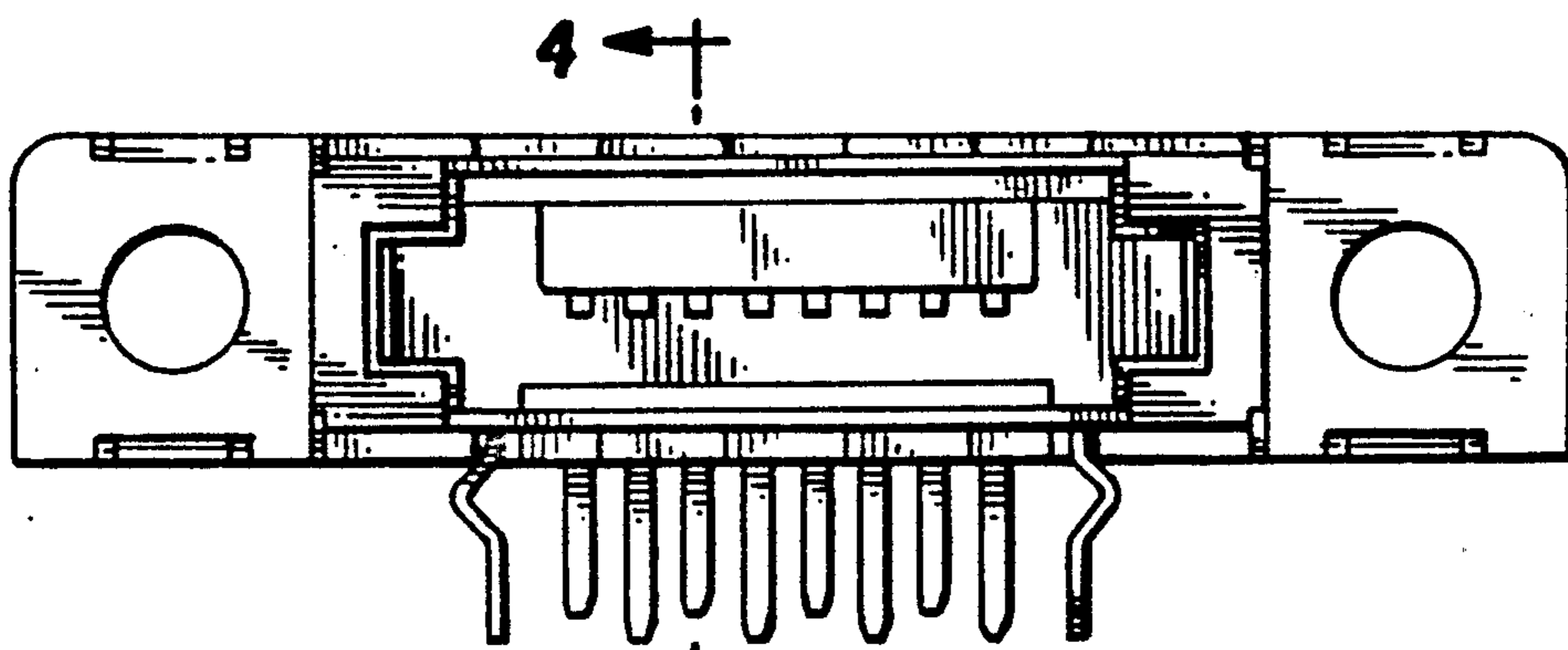


FIG. 1



4 ←

FIG. 2

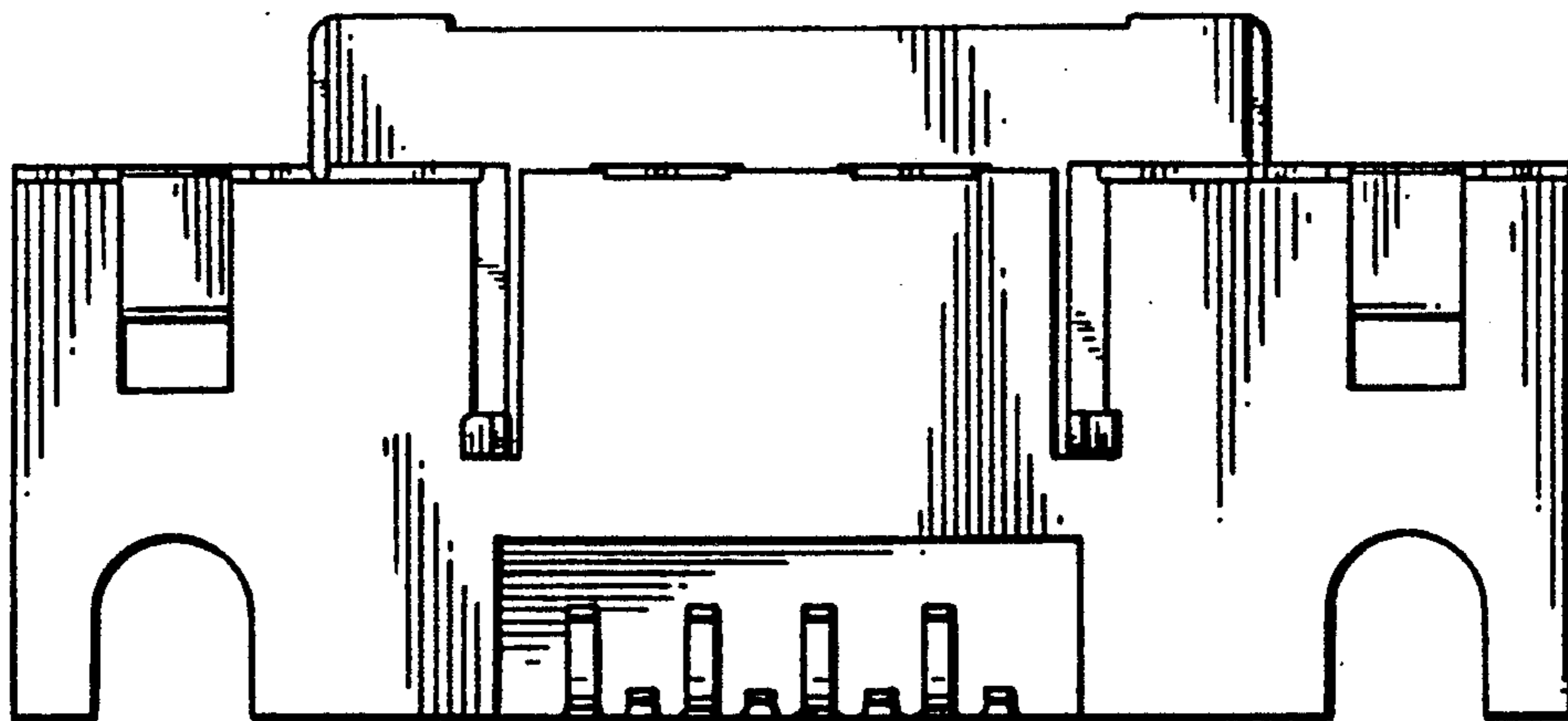


FIG. 3

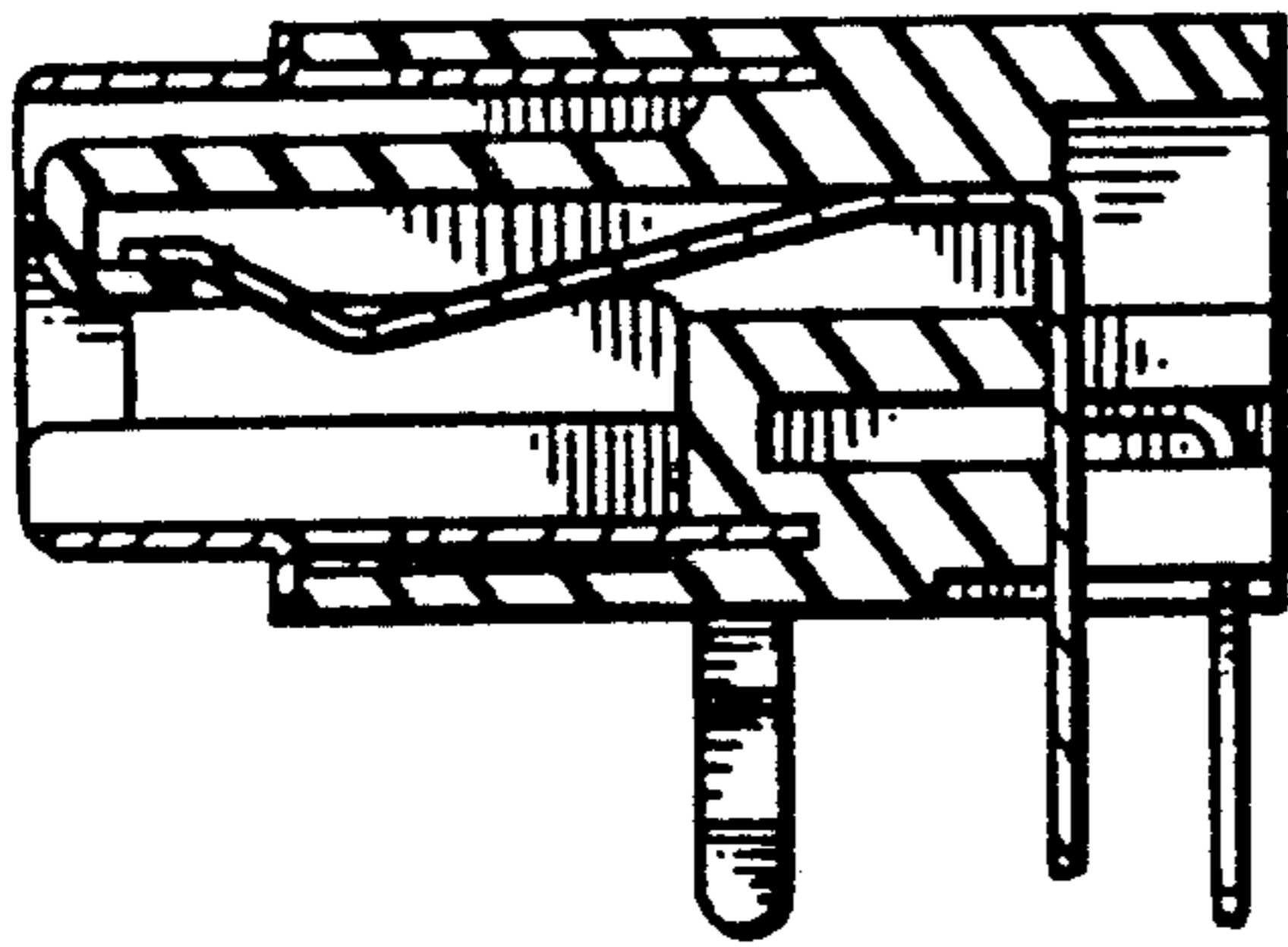


FIG. 4

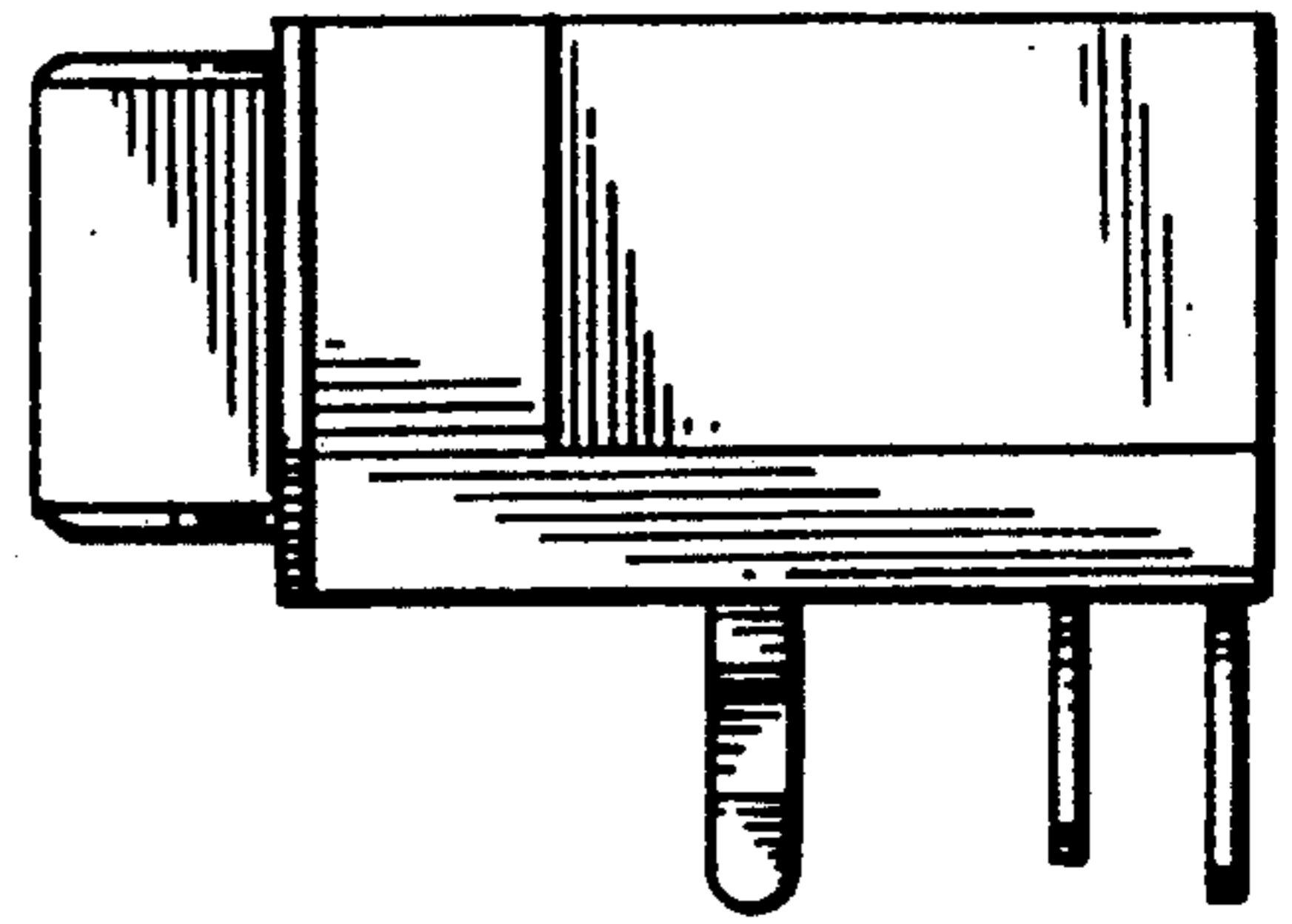


FIG. 5

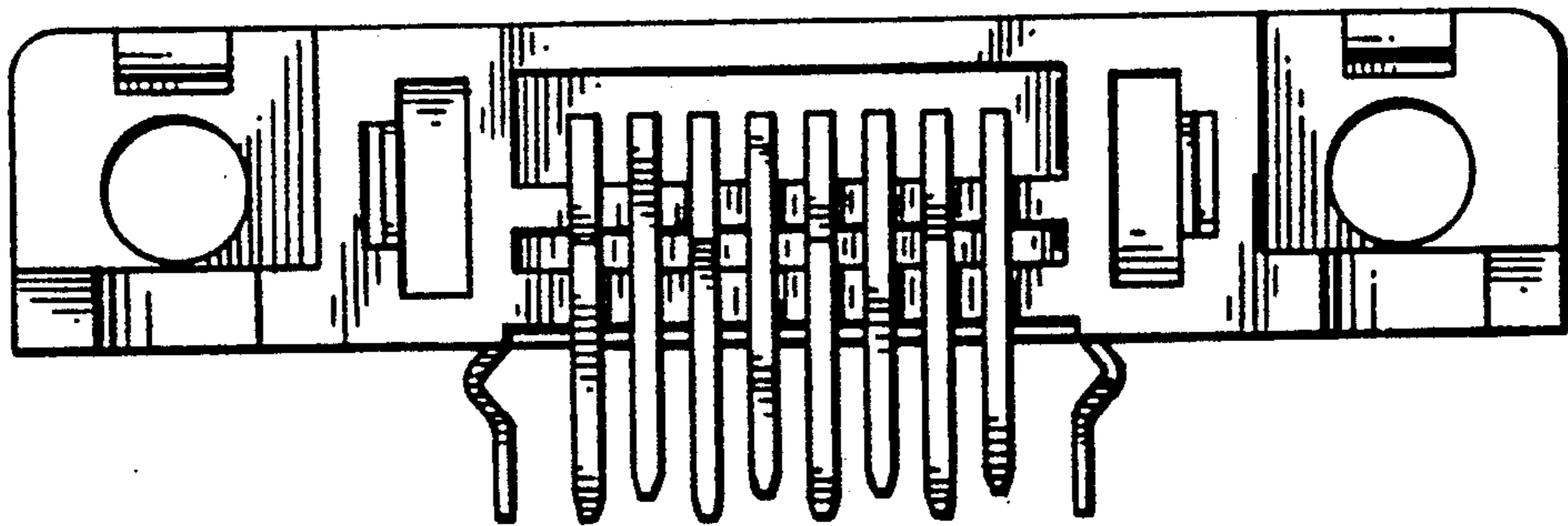


FIG. 6

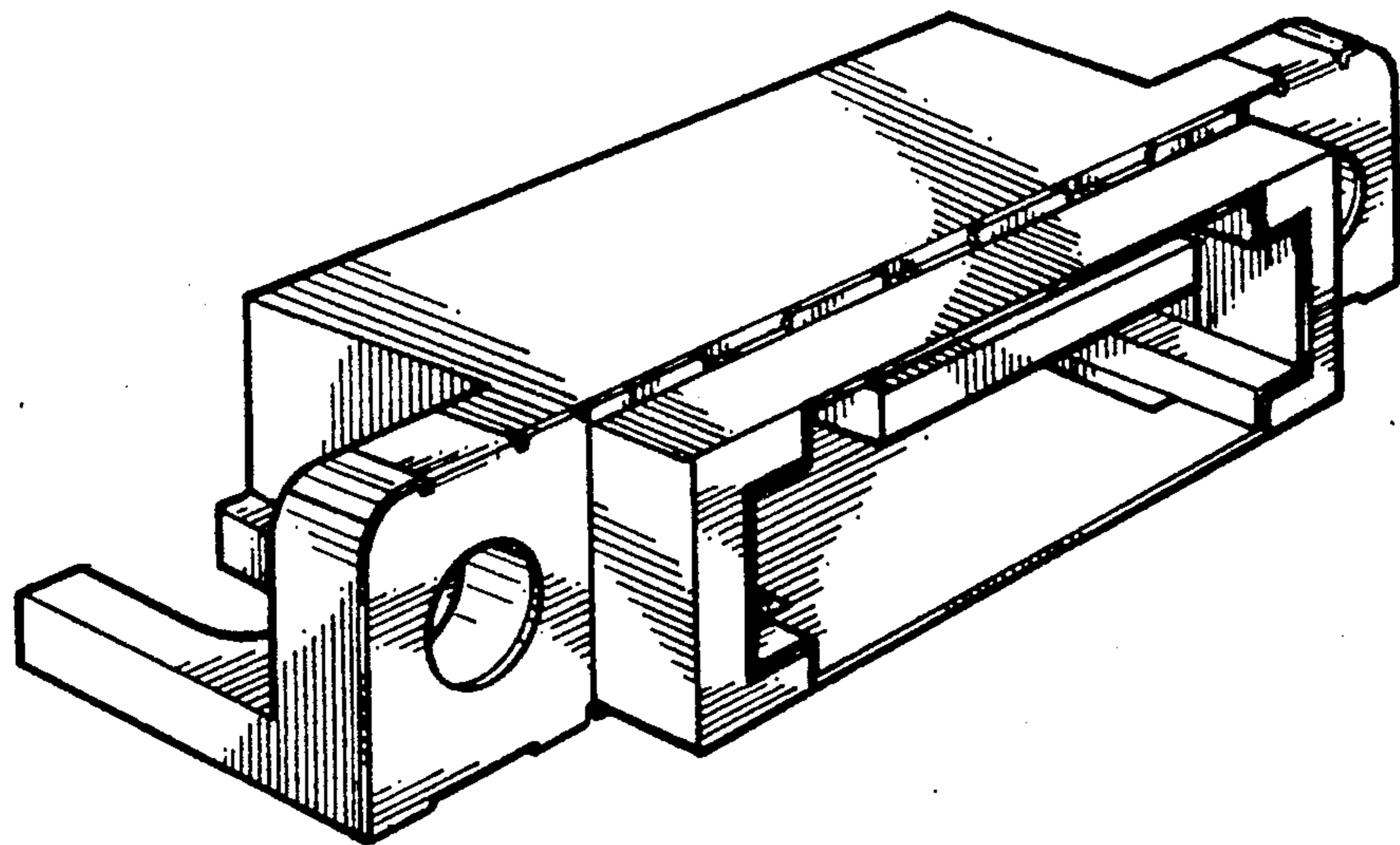


FIG. 7