

[54] HOUSING FOR AN ELECTRICAL CONNECTOR

[75] Inventor: Hitoshi Saito, Gotenba, Japan

[73] Assignee: Yazaki Corporation, Japan

[**] Term: 14 Years

[21] Appl. No.: 172,913

[22] Filed: Mar. 23, 1988

[30] Foreign Application Priority Data

Oct. 9, 1987 [JP] Japan 62-41084
[52] U.S. Cl. D13/147
[58] Field of Search D13/133, 146; 439/344,
439/353, 357, 660, 682, 685, 686, 687, 695, 696,
712, 713

[56] References Cited

U.S. PATENT DOCUMENTS

D. 195,171 5/1963 Keller D13/24
D. 210,533 3/1968 Pauza D13/24
D. 276,803 12/1984 Moriai et al. D13/24
D. 279,978 8/1985 Inoue D13/24
4,711,508 12/1987 Sueyoshi 439/595

Primary Examiner—Susan J. Lucas
Assistant Examiner—J. Sincavage

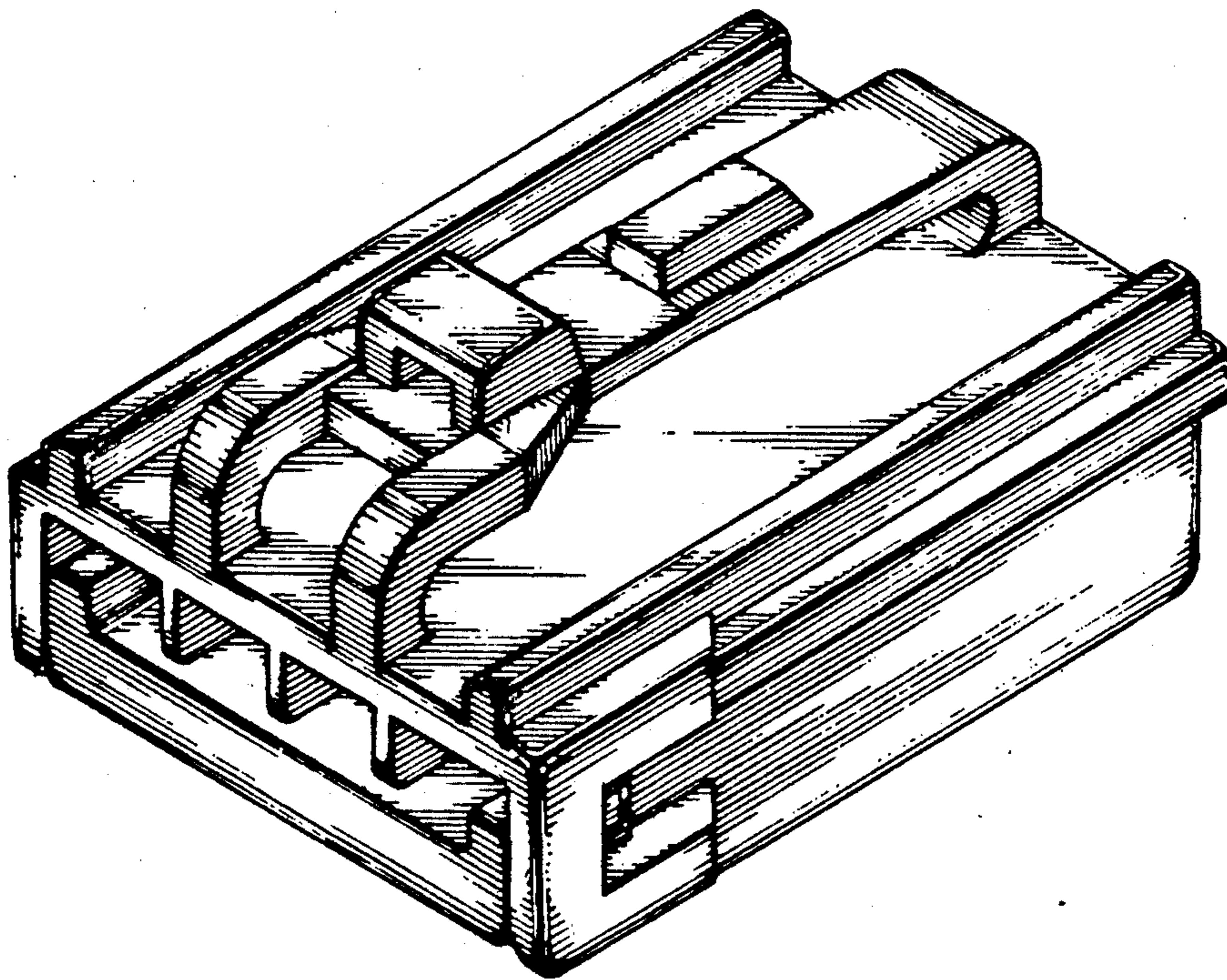
Attorney, Agent, or Firm—Jones, Askew & Lunsford

[57] CLAIM

The ornamental design for a housing for an electrical connector, as shown and described.

DESCRIPTION

FIG. 1 is a perspective view of a housing for an electrical connector showing my new design;
FIG. 2 is a top plan view thereof;
FIG. 3 is a front elevational view thereof;
FIG. 4 is a bottom plan view thereof;
FIG. 5 is a right side elevational view thereof, the left side elevational view being a mirror image;
FIG. 6 is a rear elevational view thereof;
FIG. 7 is a right side elevational view of a housing for an electrical connector showing my new design with the stopper plate open, the left side elevational view being a mirror image;
FIG. 8 is a rear elevational view thereof;
FIG. 9 is a cross-section view of a housing for an electrical connector showing my new design along line 9—9 of FIG. 3;
FIG. 10 is a cross-section view thereof along line 10—10 of FIG. 3;
FIG. 11 is a cross-section view thereof along line 11—11 of FIG. 3.



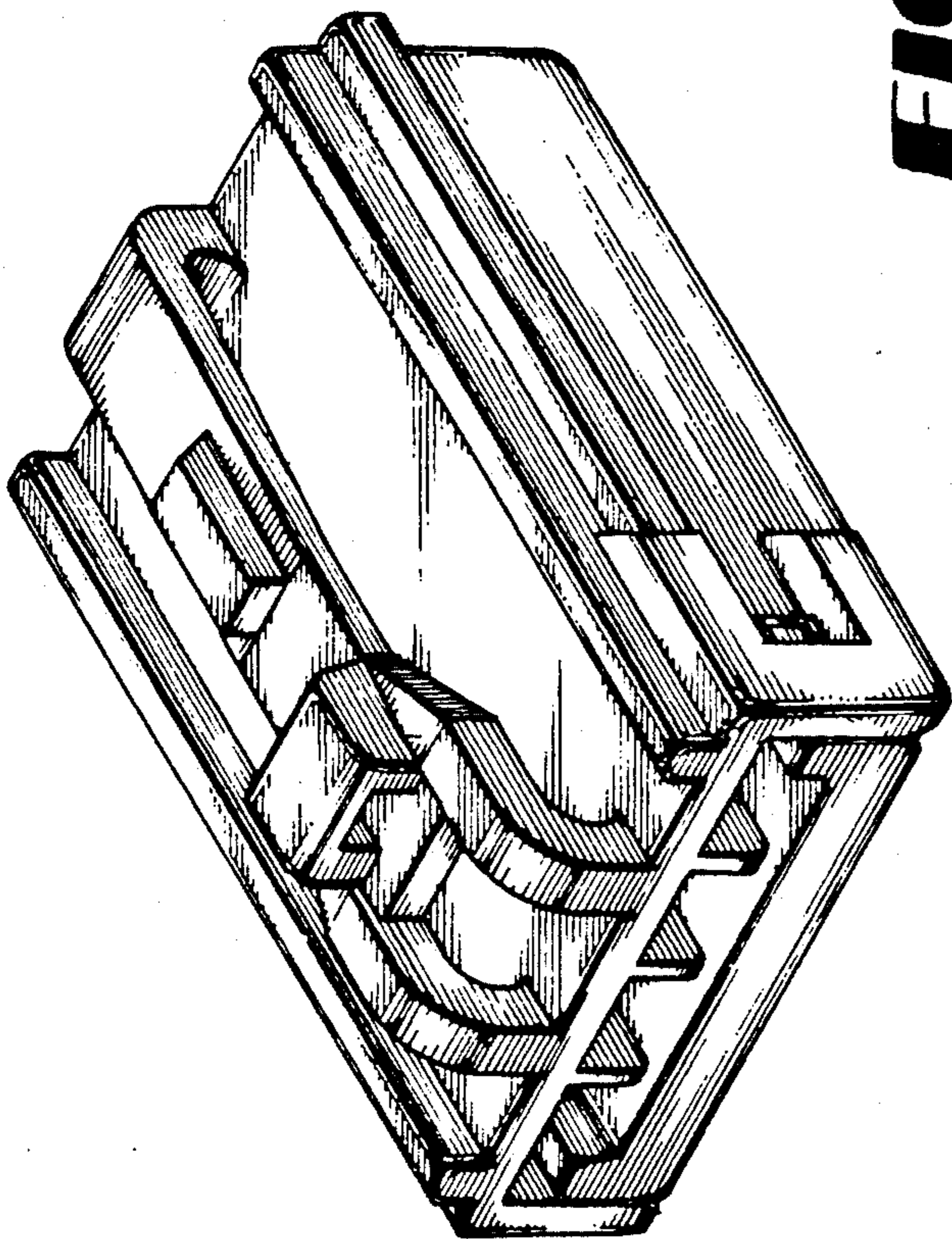


FIG 1

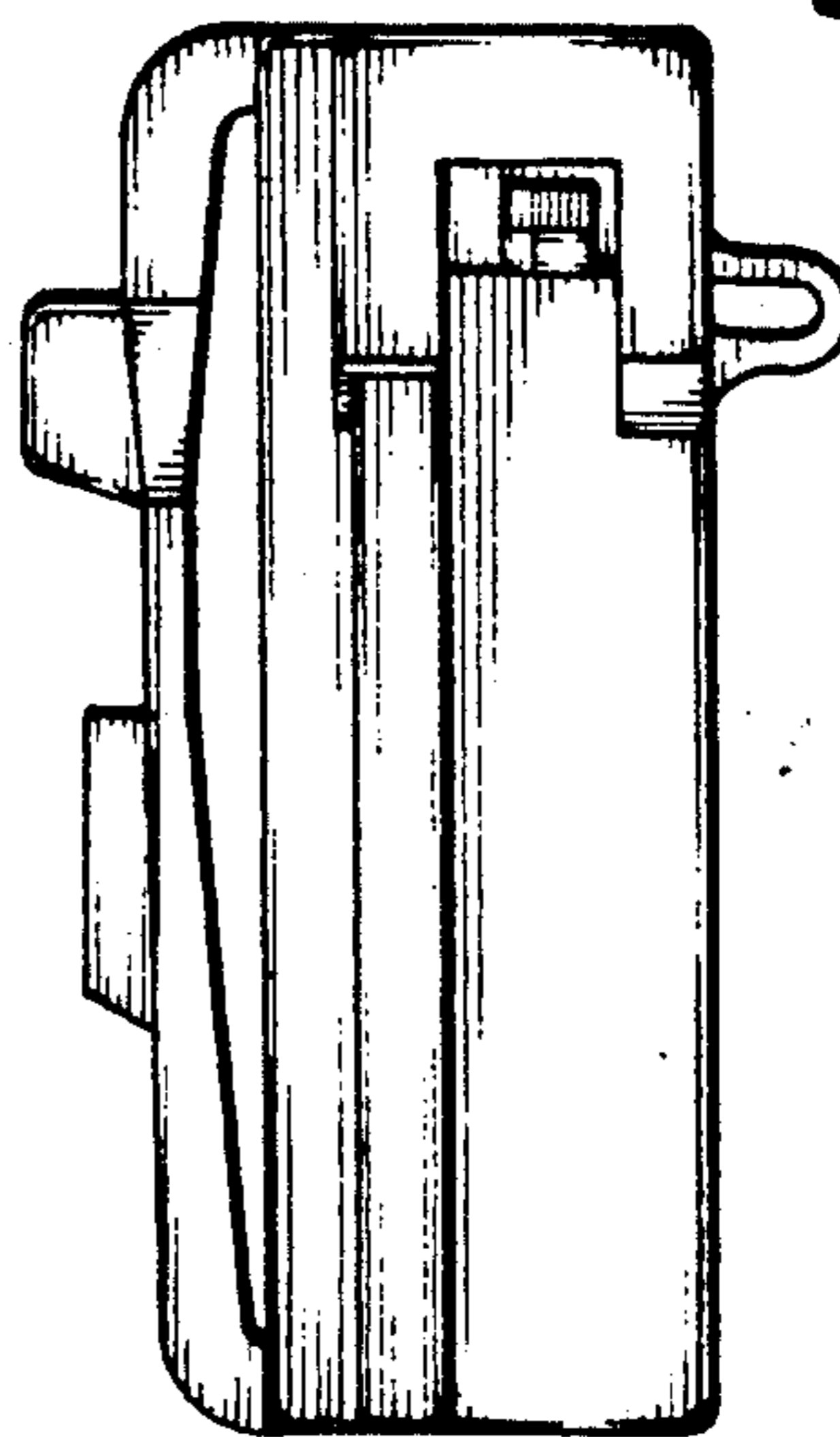


FIG 5

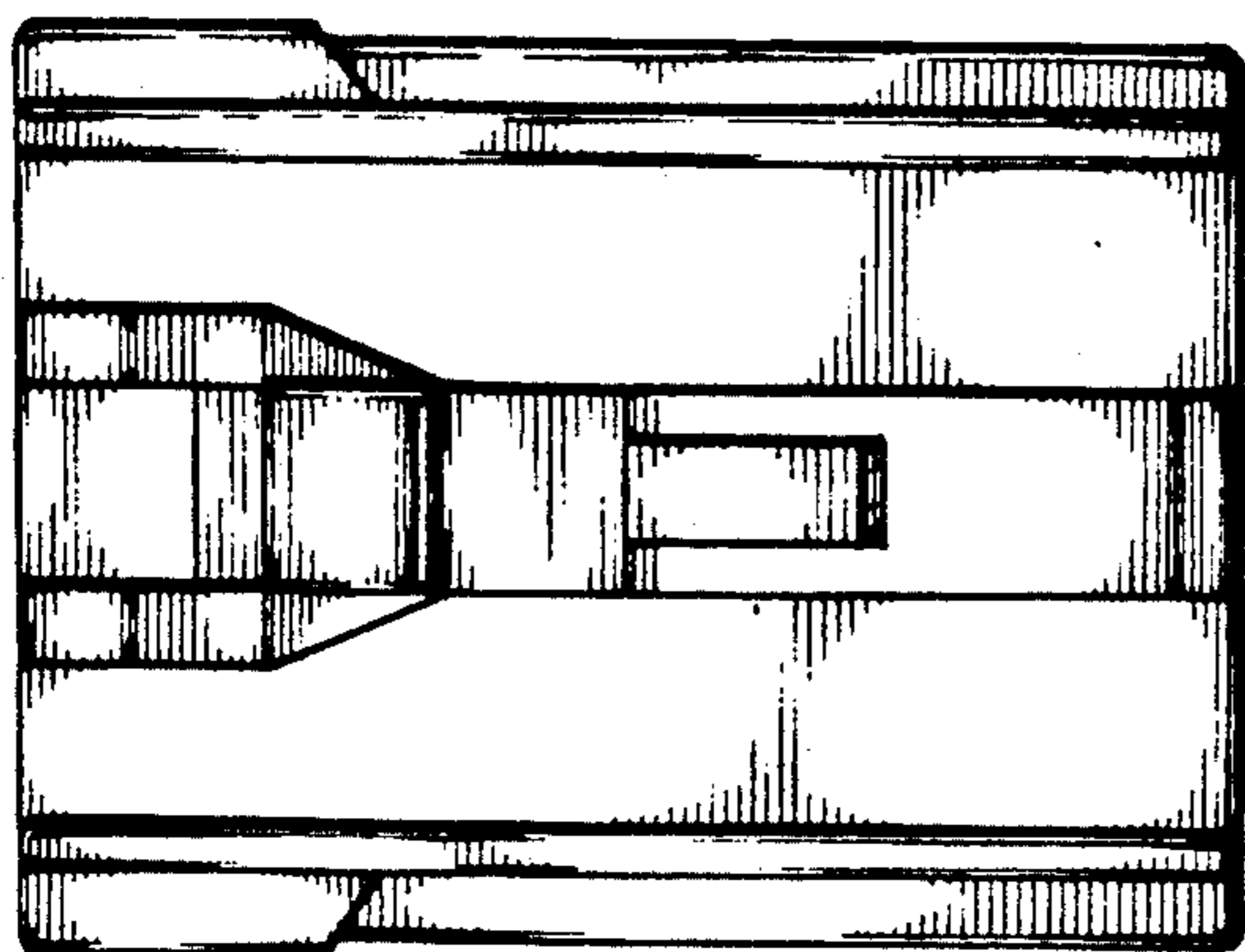


FIG 2

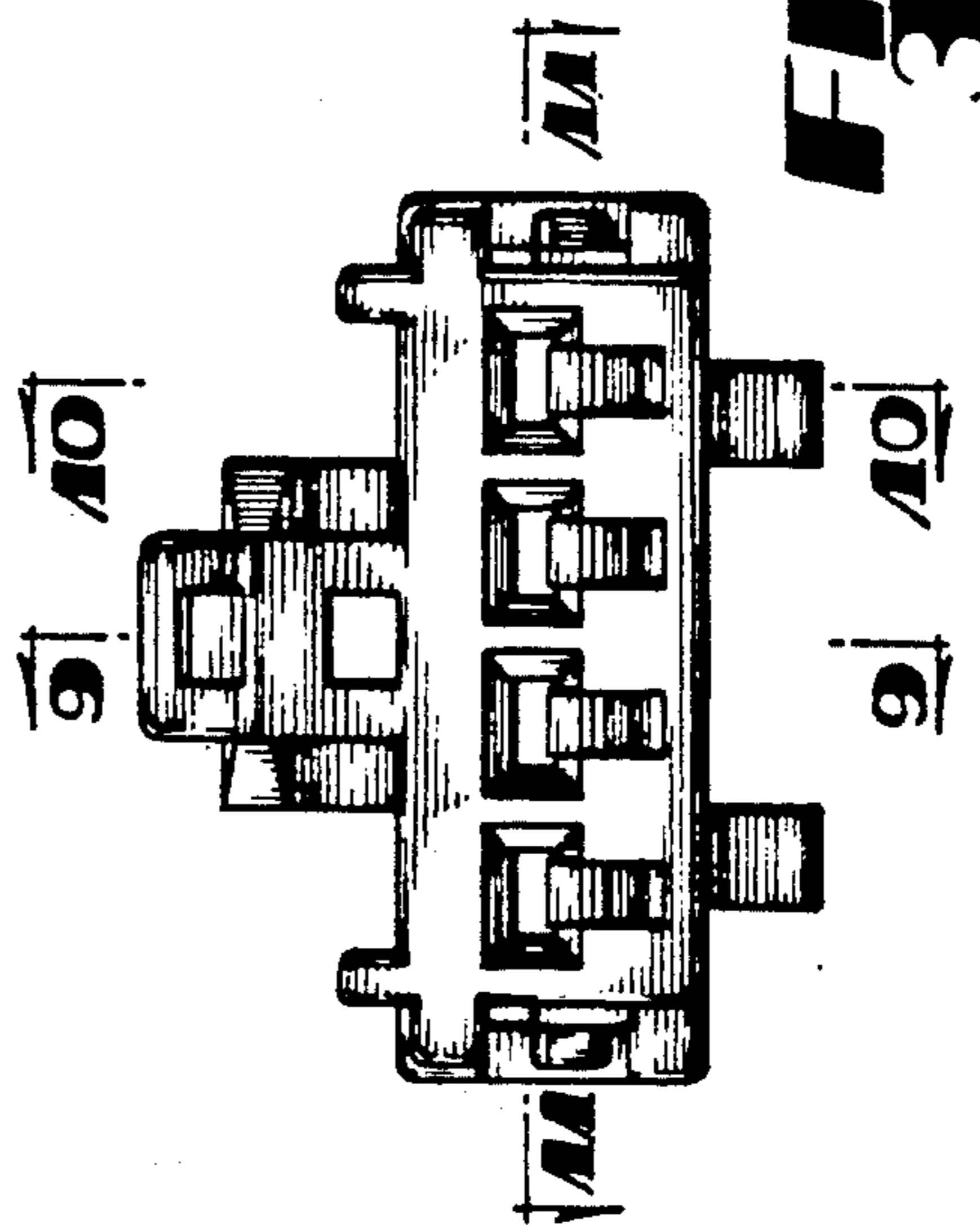


FIG 3

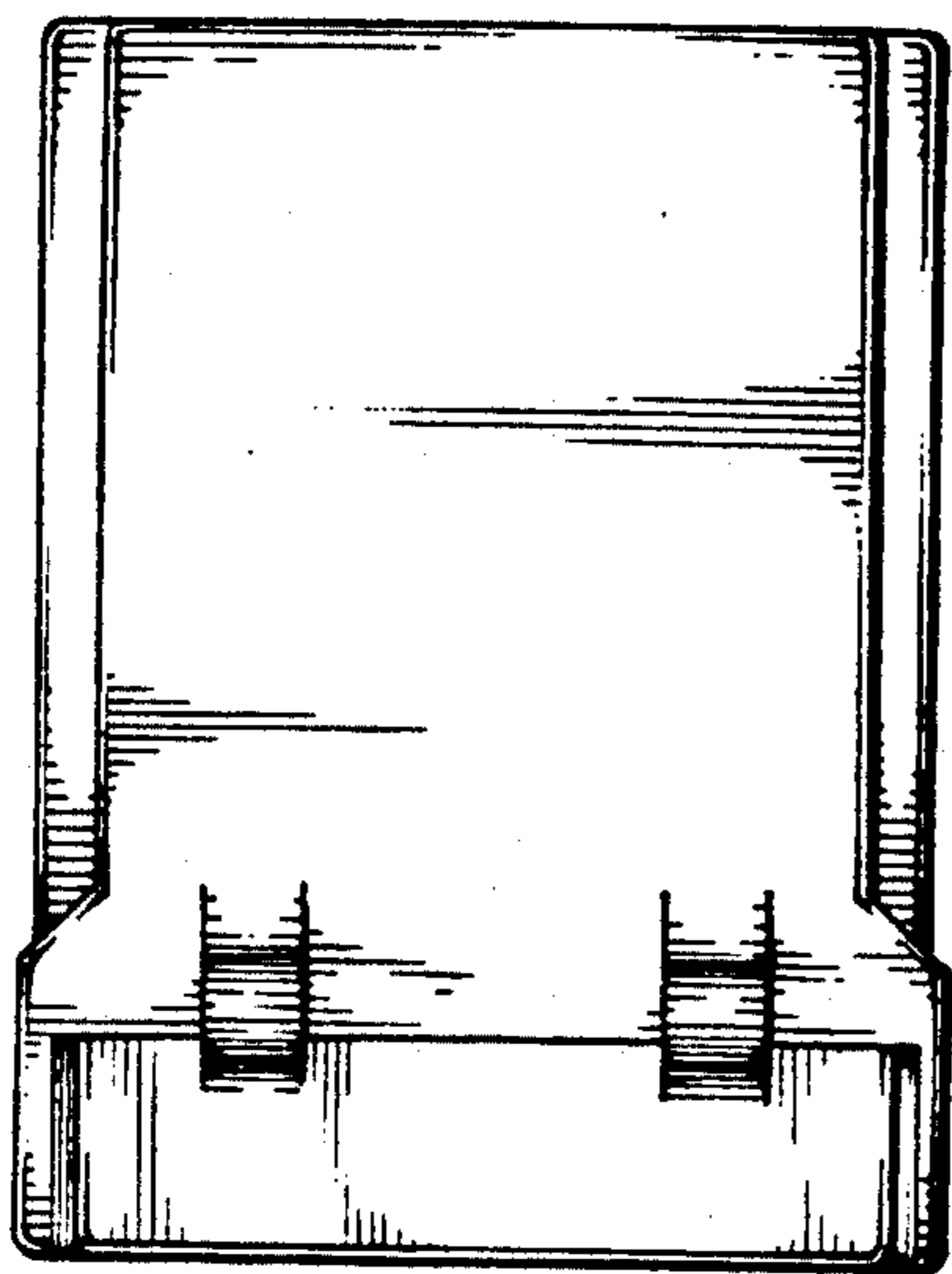


FIG 4

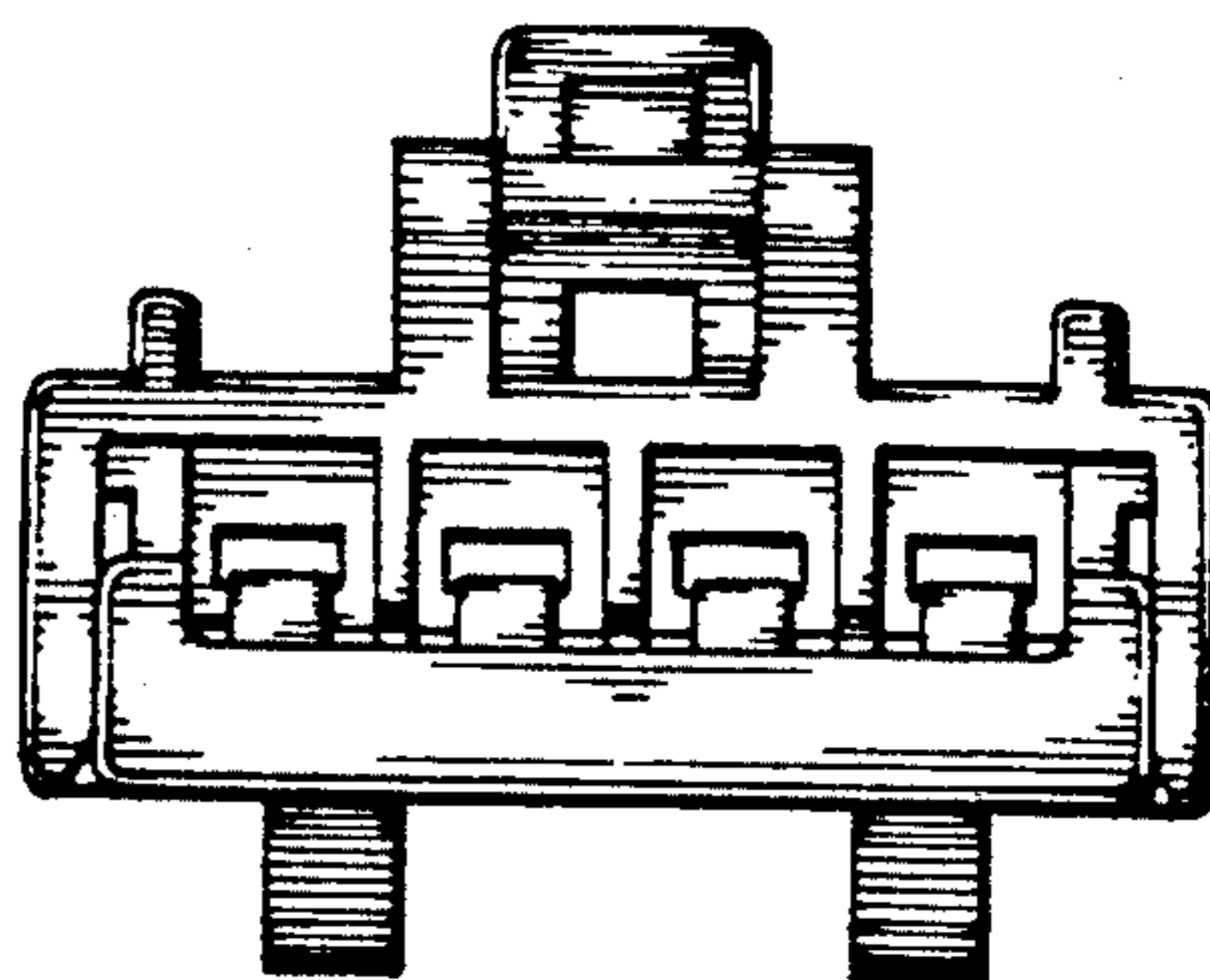


FIG 6

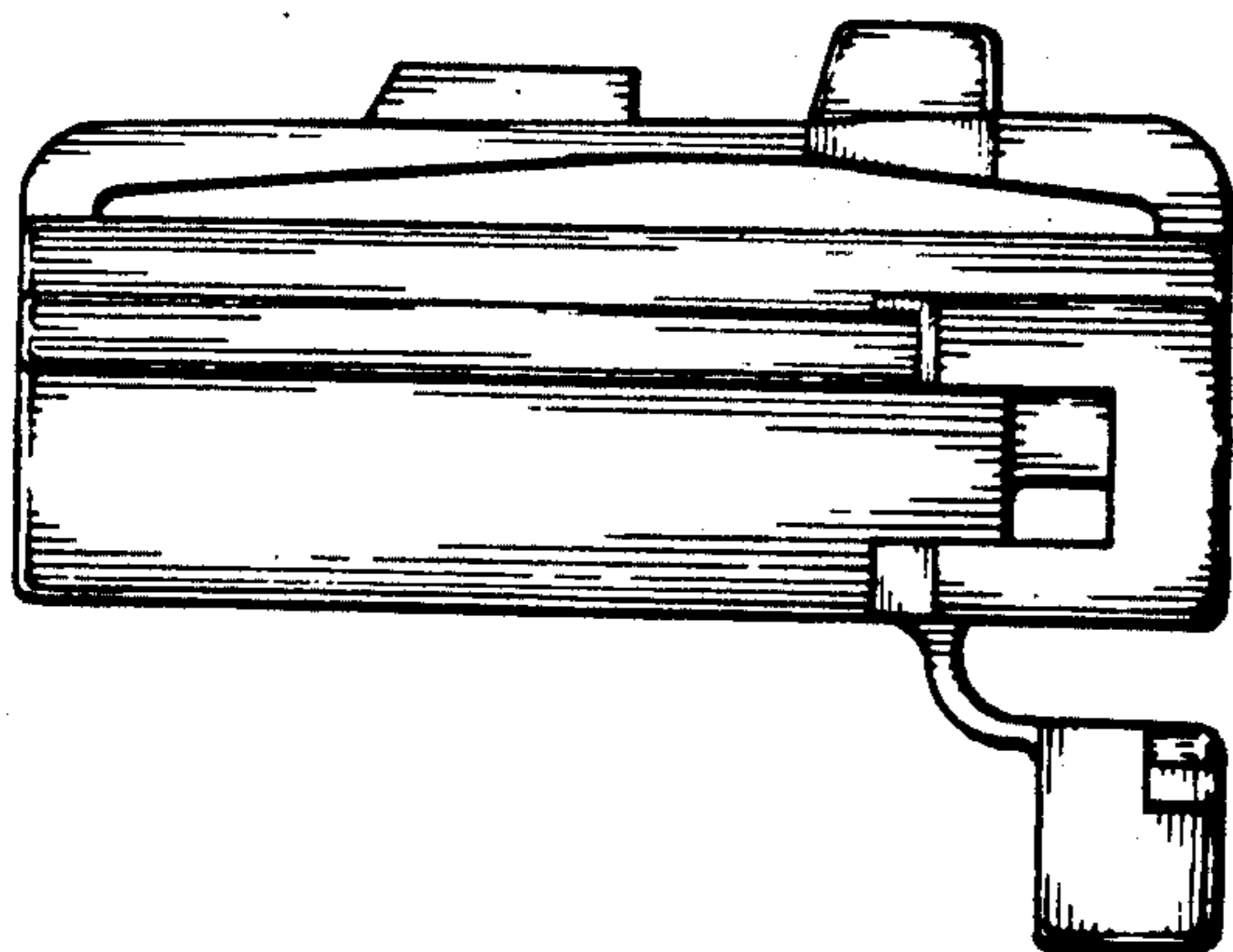


FIG 7

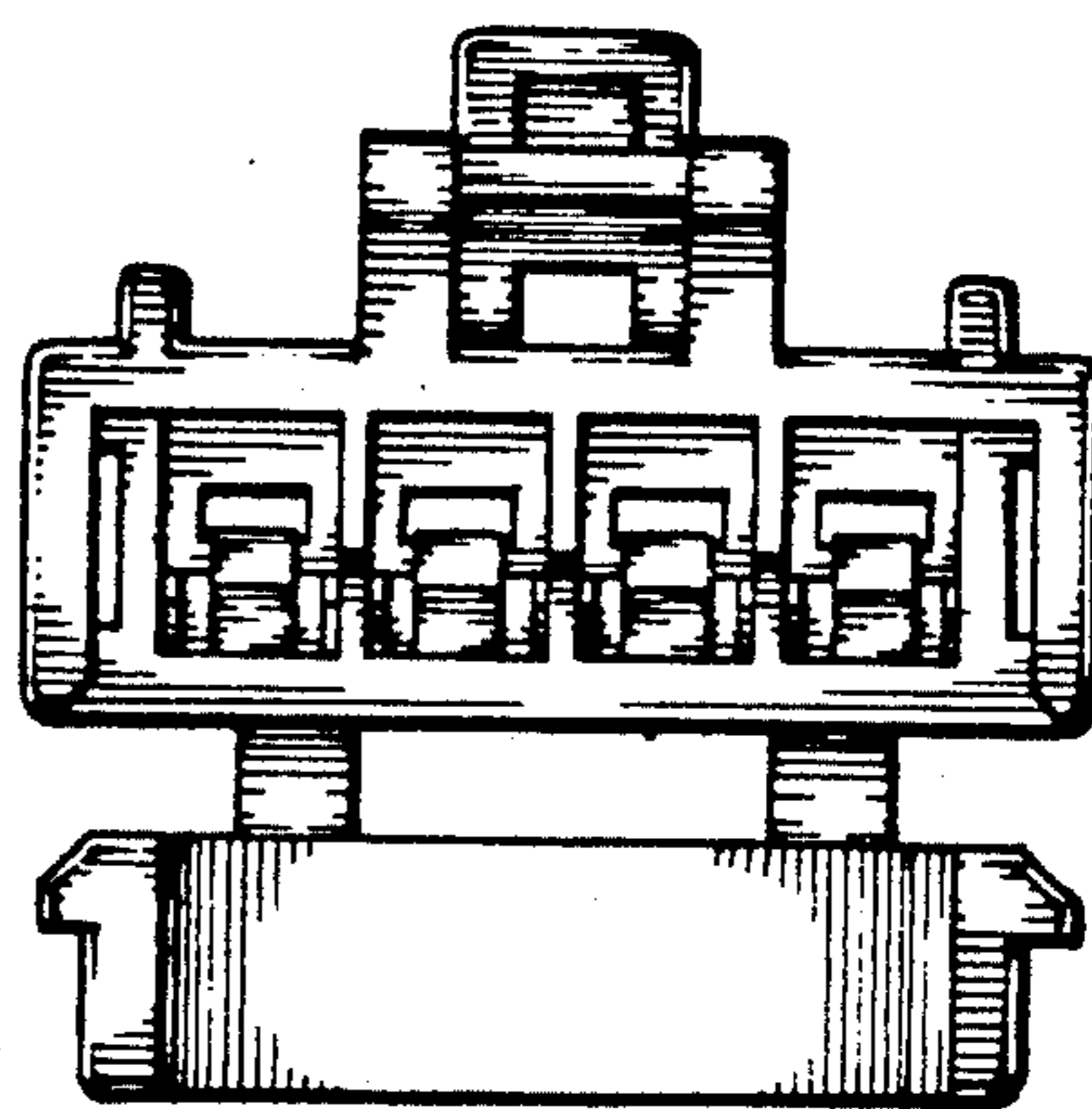


FIG 8

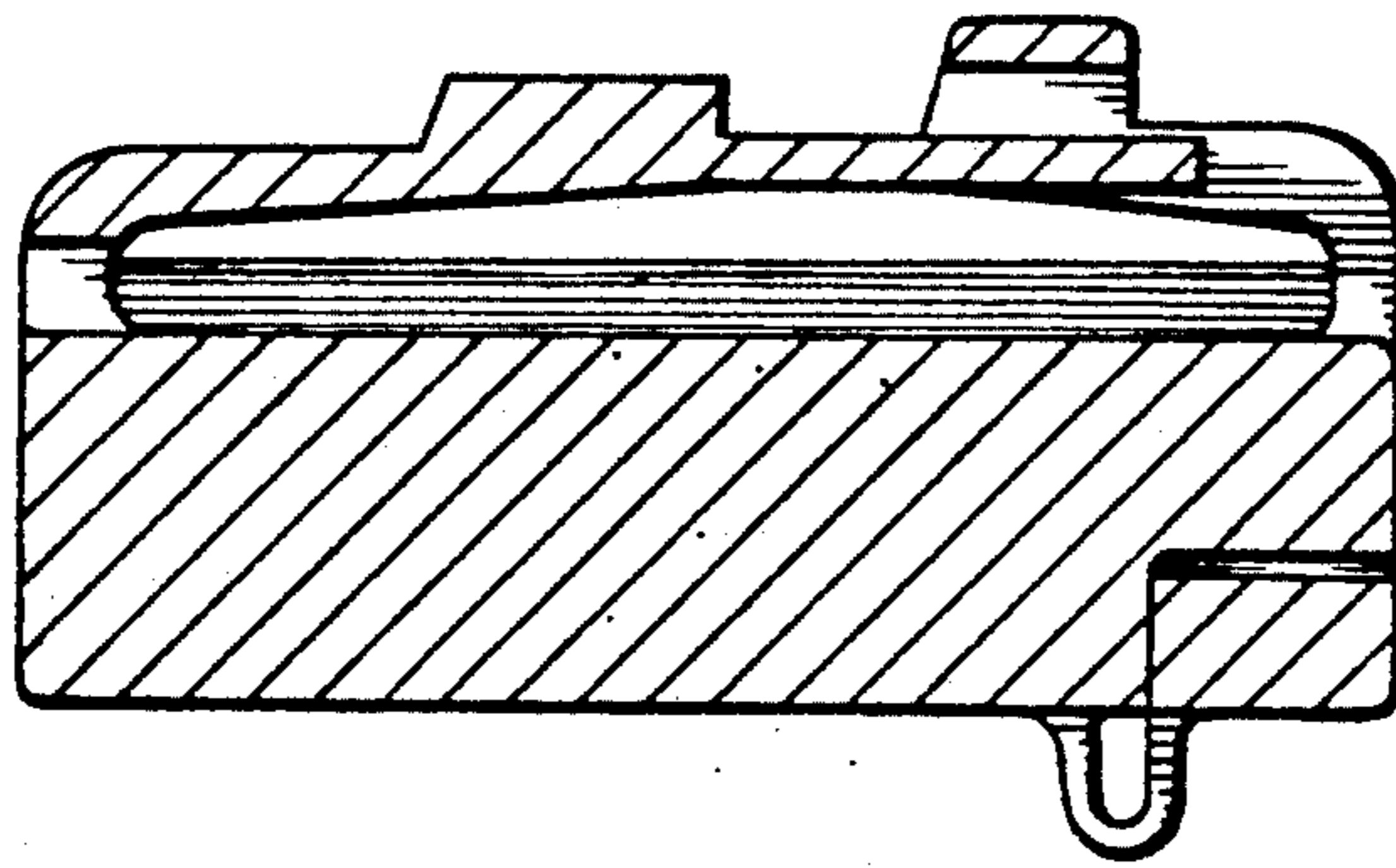


FIG 9

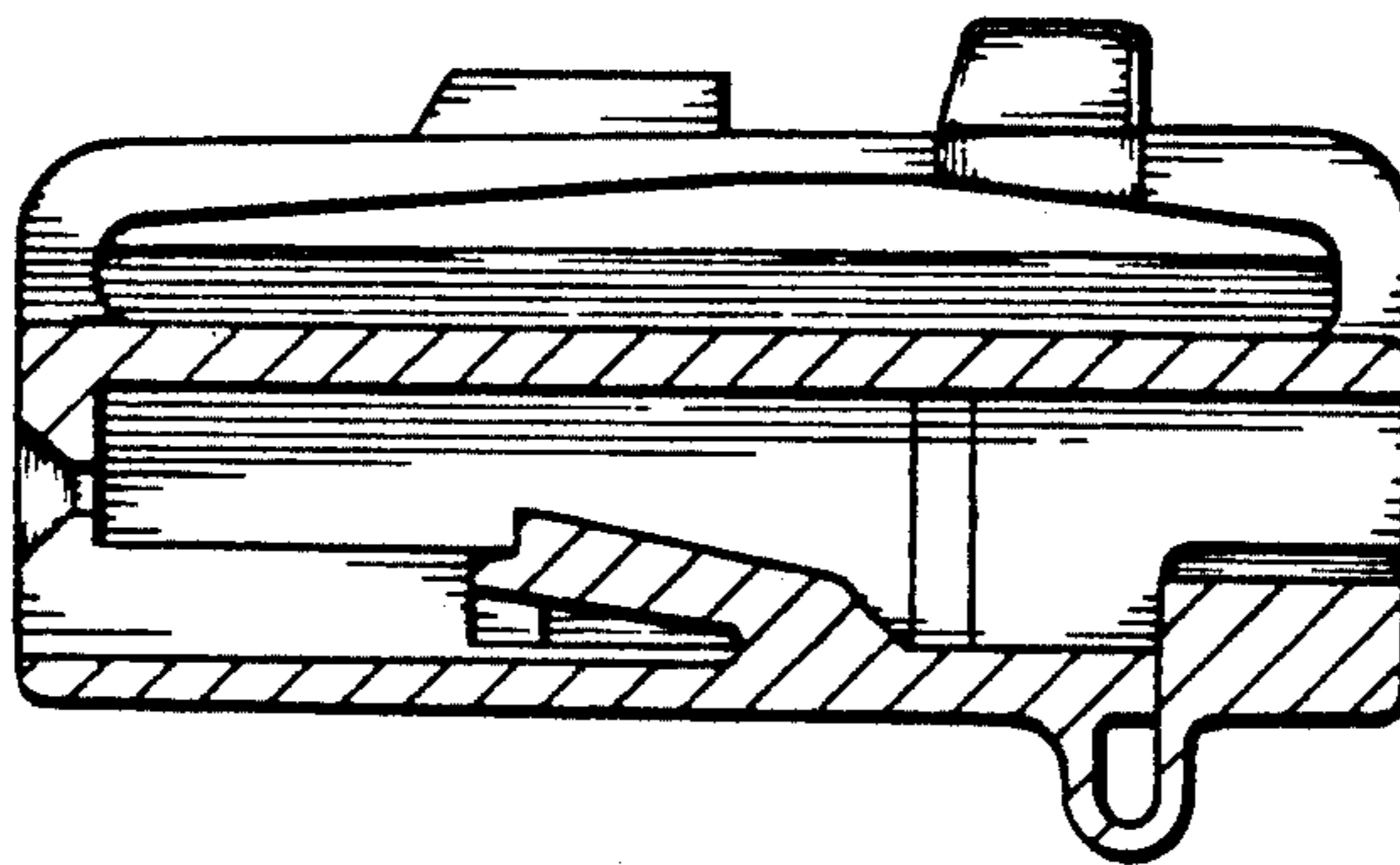


FIG 10

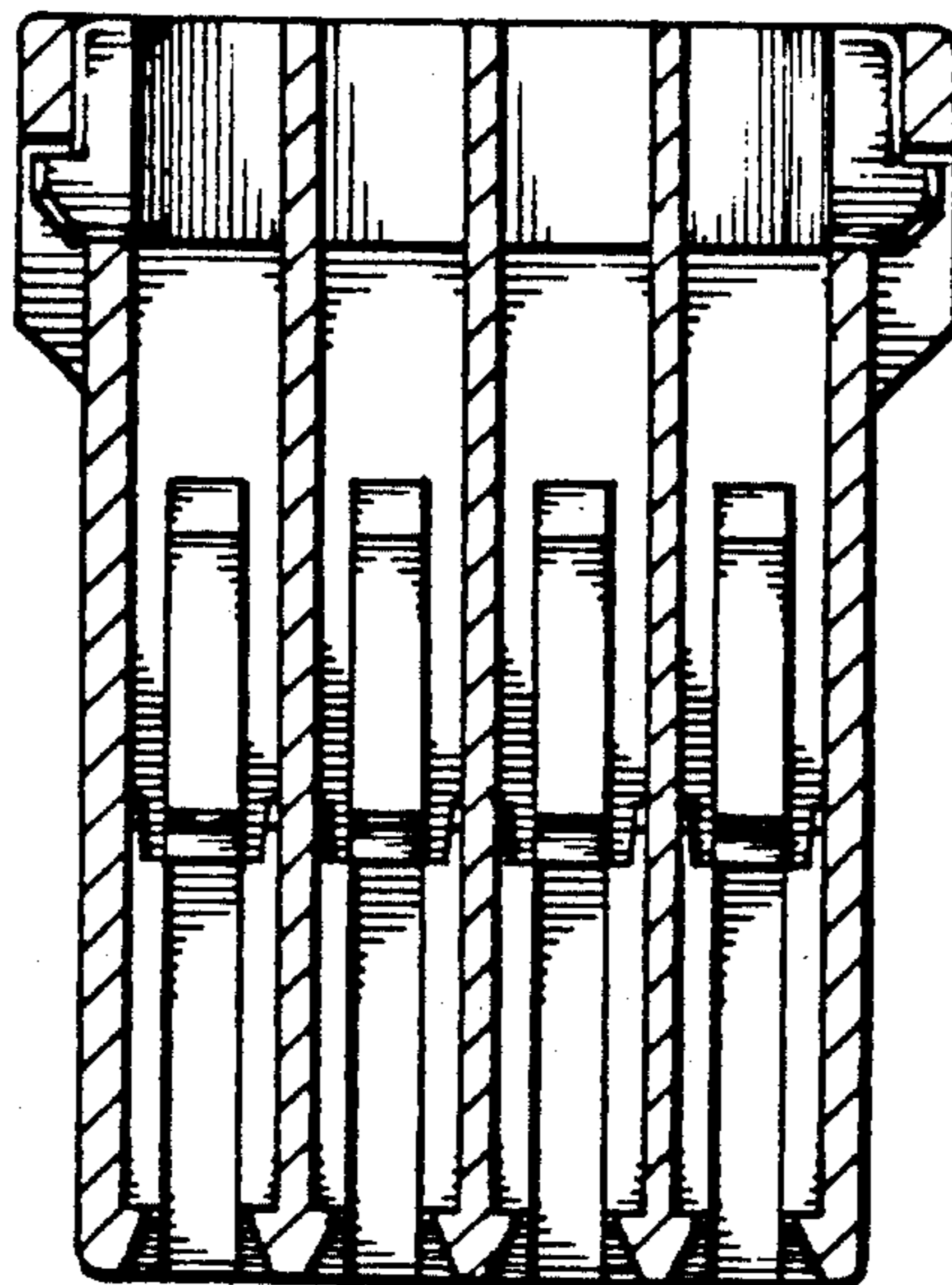


FIG 11