

[54] INSTRUMENT FOR MEASURING SKIN LESIONS, OR SIMILAR ARTICLE

[75] Inventor: Edgar Eichbaum, Chicago, Ill.

[73] Assignee: The Cloverline, Inc., Chicago, Ill.

[**] Term: 14 Years

[21] Appl. No.: 367,696

[22] Filed: Jun. 19, 1989

[52] U.S. Cl. D10/73

[58] Field of Search D8/14, 104, 105; D10/73; D24/8, 23, 29; 33/512, 558.01, 558.02, 558.03, 558.04, 558.05, 558.06, 558.07, 558.08, 558.09, 558.1, 558.2, 558.3, 558.4, 558.5, 802, 813

[56] References Cited

U.S. PATENT DOCUMENTS

284,045	8/1883	Morrill	33/558.01
297,492	4/1884	Bovensicp	33/558.04
459,519	9/1891	Collins	D10/73 X
695,565	3/1902	Knapp	33/558.01
930,408	8/1909	Nelson	33/558.02
2,364,806	12/1944	Nash	D10/73 X
3,740,779	6/1973	Rubicuis	33/512 X

FOREIGN PATENT DOCUMENTS

1215075	4/1960	France	33/558.04
39147	5/1956	Poland	33/558.2

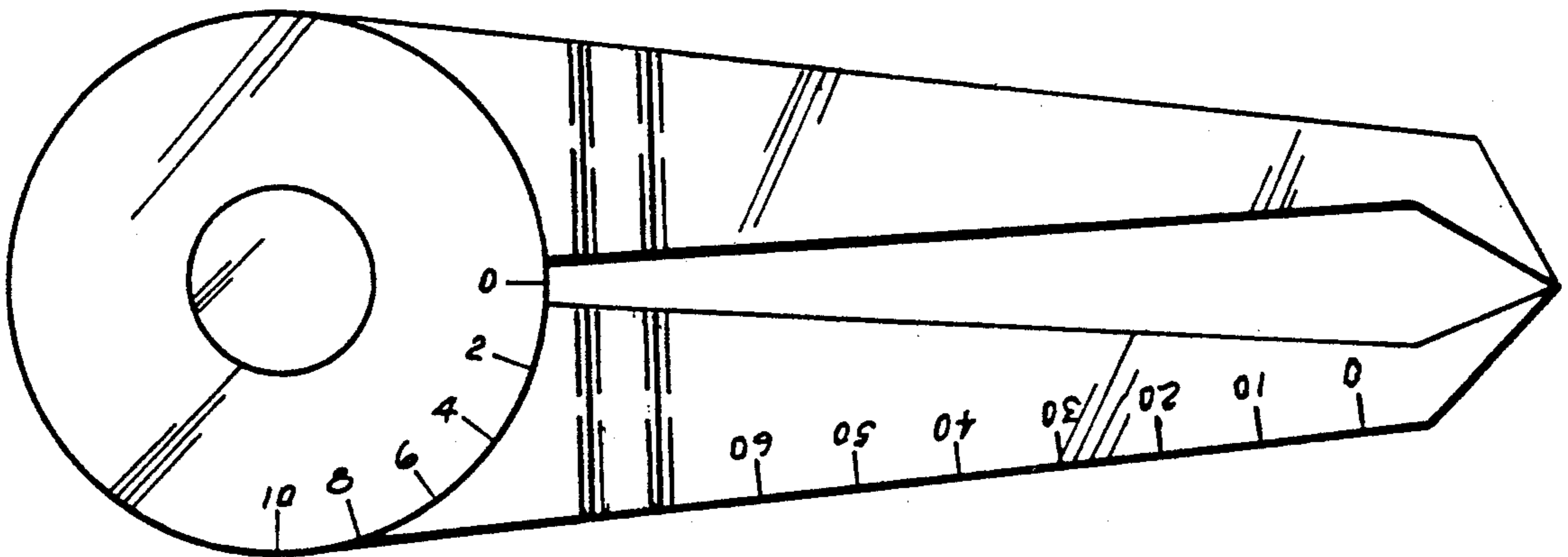
Primary Examiner—Nelson C. Holtje
Assistant Examiner—Antoine D. Davis
Attorney, Agent, or Firm—Milton S. Gerstein

[57] CLAIM

The ornamental design for a instrument for measuring skin lesions, or similar article, as shown and described.

DESCRIPTION

FIG. 1 is a top plan view of an instrument for measuring skin lesions, or similar article showing my new design; FIG. 2 is a bottom plan view; FIG. 3 is a left side elevational view, the right side elevational view being a mirror image; FIG. 4 is a rear elevational view; FIG. 5 is a front elevational view; FIG. 6 is a top plan view, with the calipers in an open position; FIG. 7 is a top plan view of another embodiment of my new design of FIGS. 1-6, the bottom plan view being a mirror image; and FIG. 8 is a left side elevational view, the right side being a mirror image thereof.



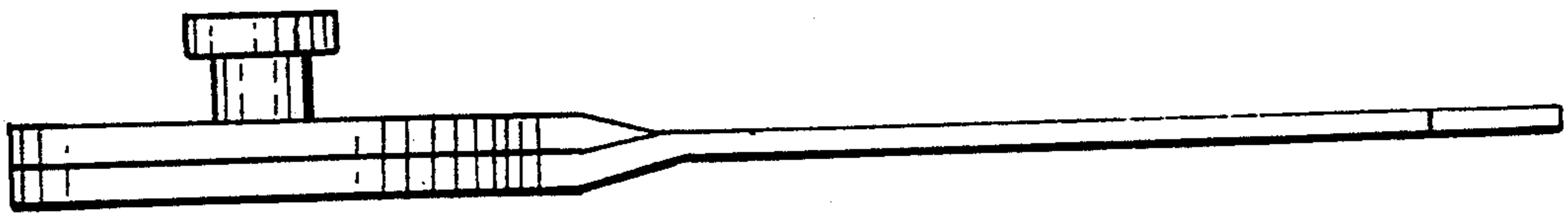
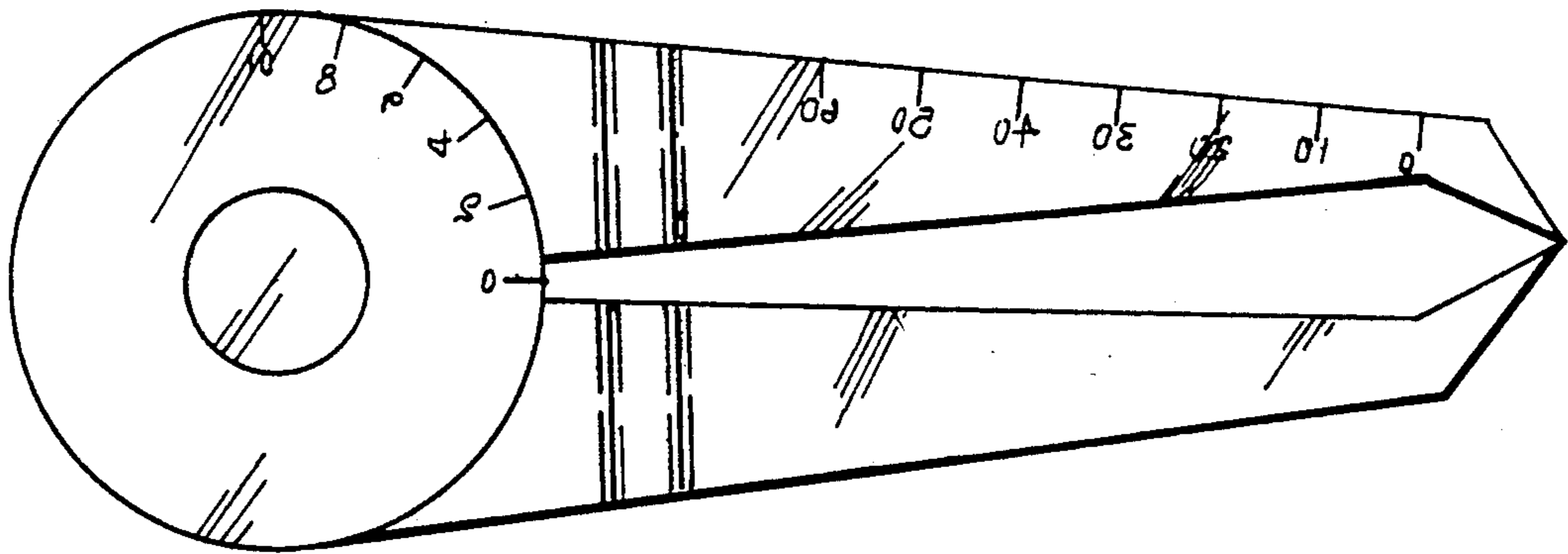
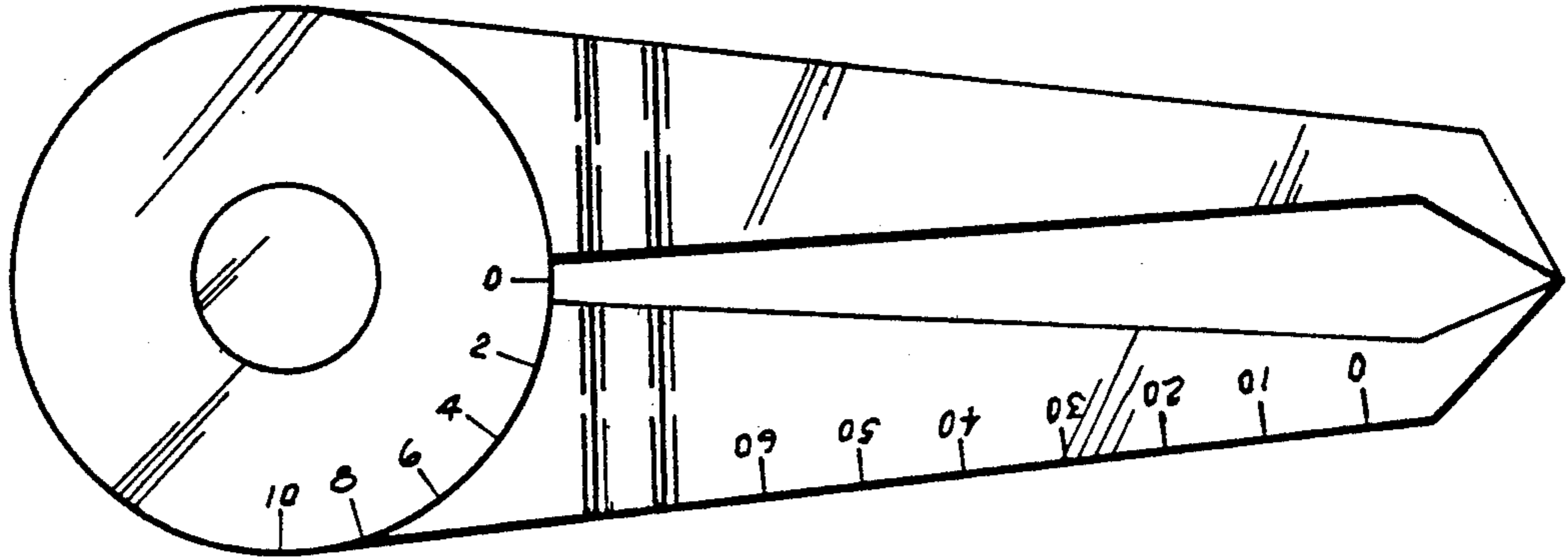


FIG. 6

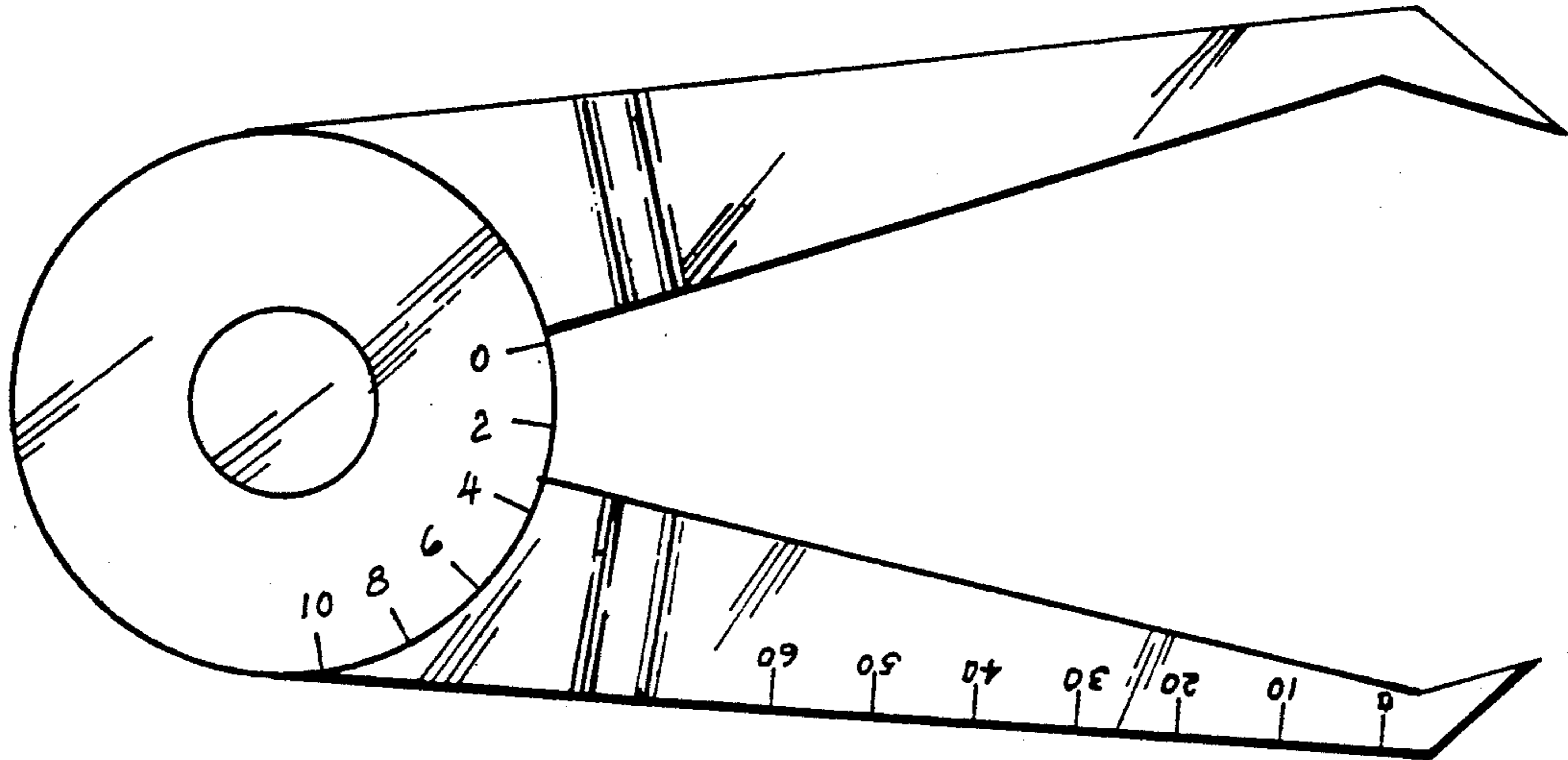


FIG. 7

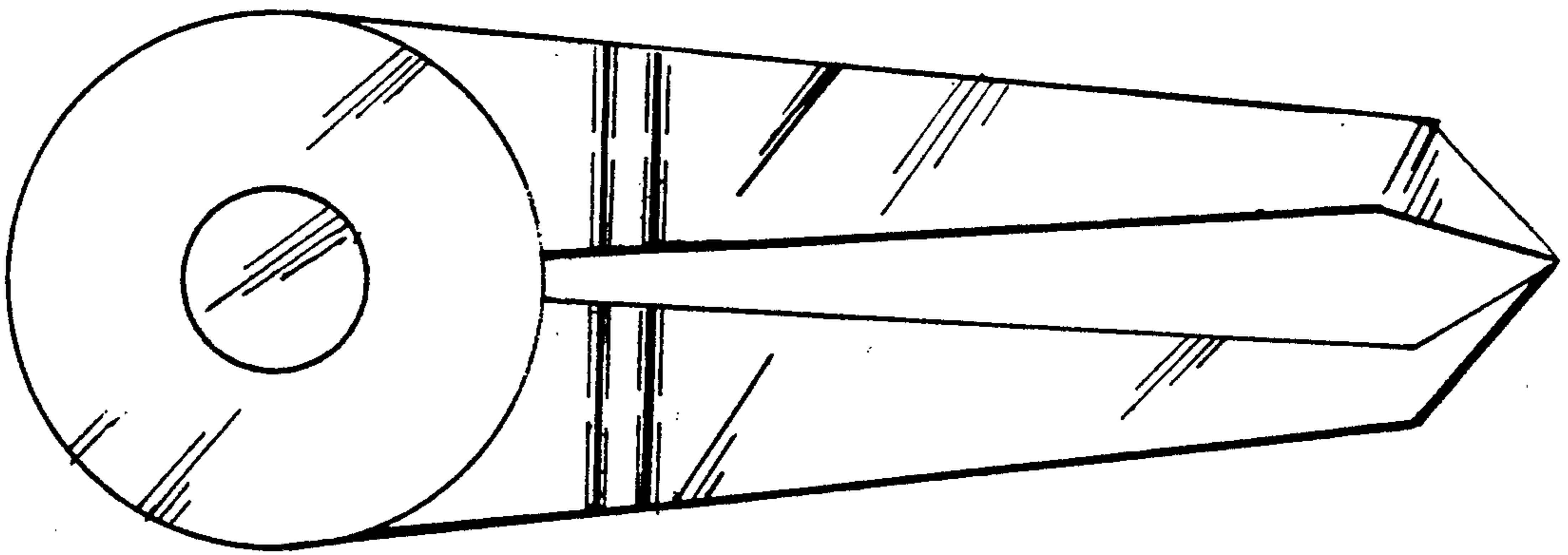


FIG. 8

