

[54] LEVELING INSTRUMENT

[56] References Cited

U.S. PATENT DOCUMENTS

[76] Inventor: James Piskula, P.O. Box 26174, Milwaukee, Wis. 53226

612,577 10/1898 Smith 33/379
2,356,311 8/1944 Beier D10/69 X

[**] Term: 14 Years

Primary Examiner—Bruce W. Dunkins
Assistant Examiner—Antonie D. Davis
Attorney, Agent, or Firm—Quarles & Brady

[21] Appl. No.: 330,836

[57] CLAIM

The ornamental design for a leveling instrument, as shown.

[22] Filed: Mar. 28, 1989

DESCRIPTION

[52] U.S. Cl. D10/69

FIG. 1 is a top plan view of a leveling instrument showing my new design;

[58] Field of Search D10/69, 62; 33/333, 33/370, 371, 389, 390, 336, 348, 348.2, 371, 377, 290, 291

FIG. 2 is a right side elevational view, the left side elevational view being identical; and
FIG. 3 is a bottom plan view thereof.

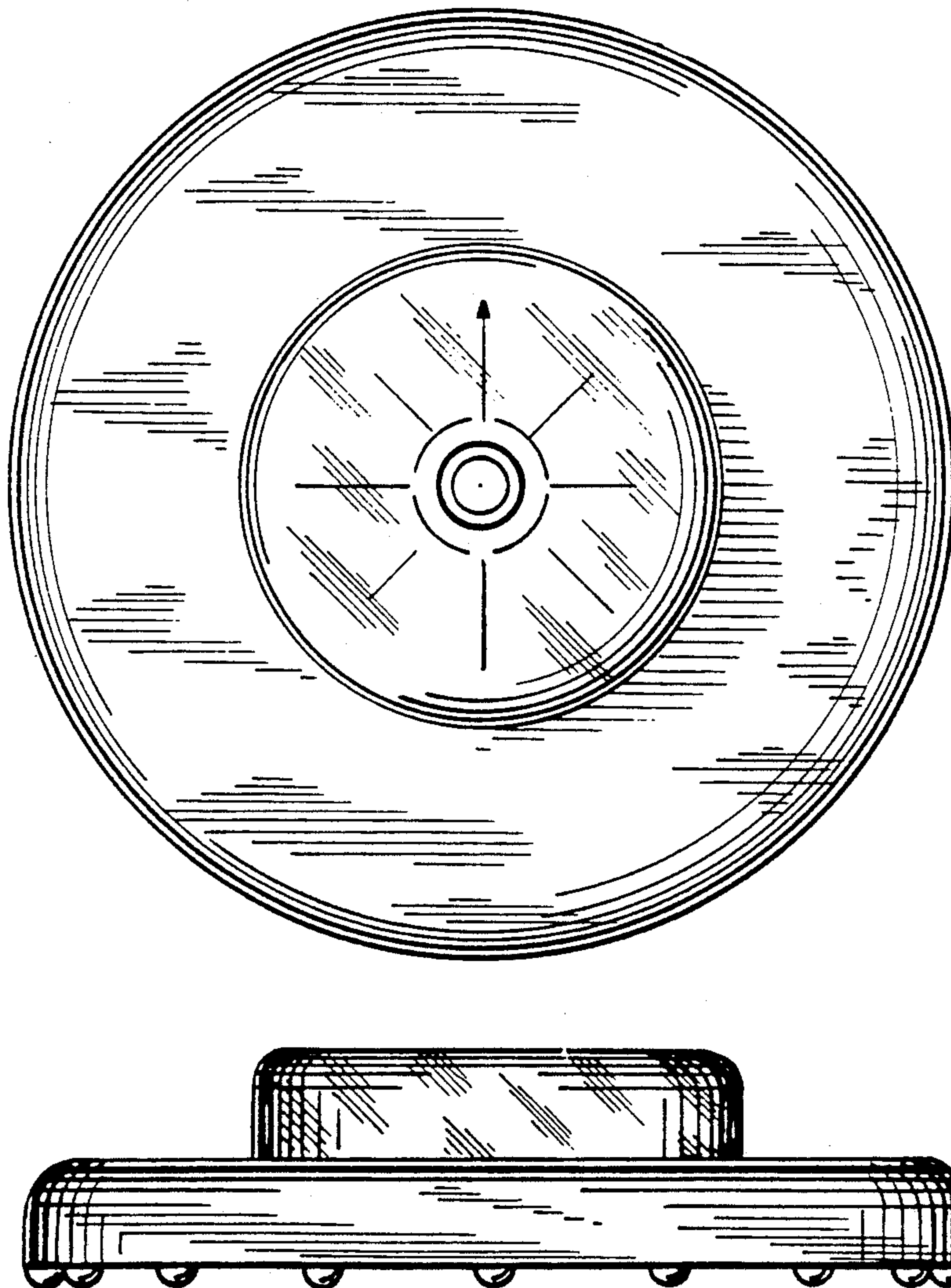


FIG. 1

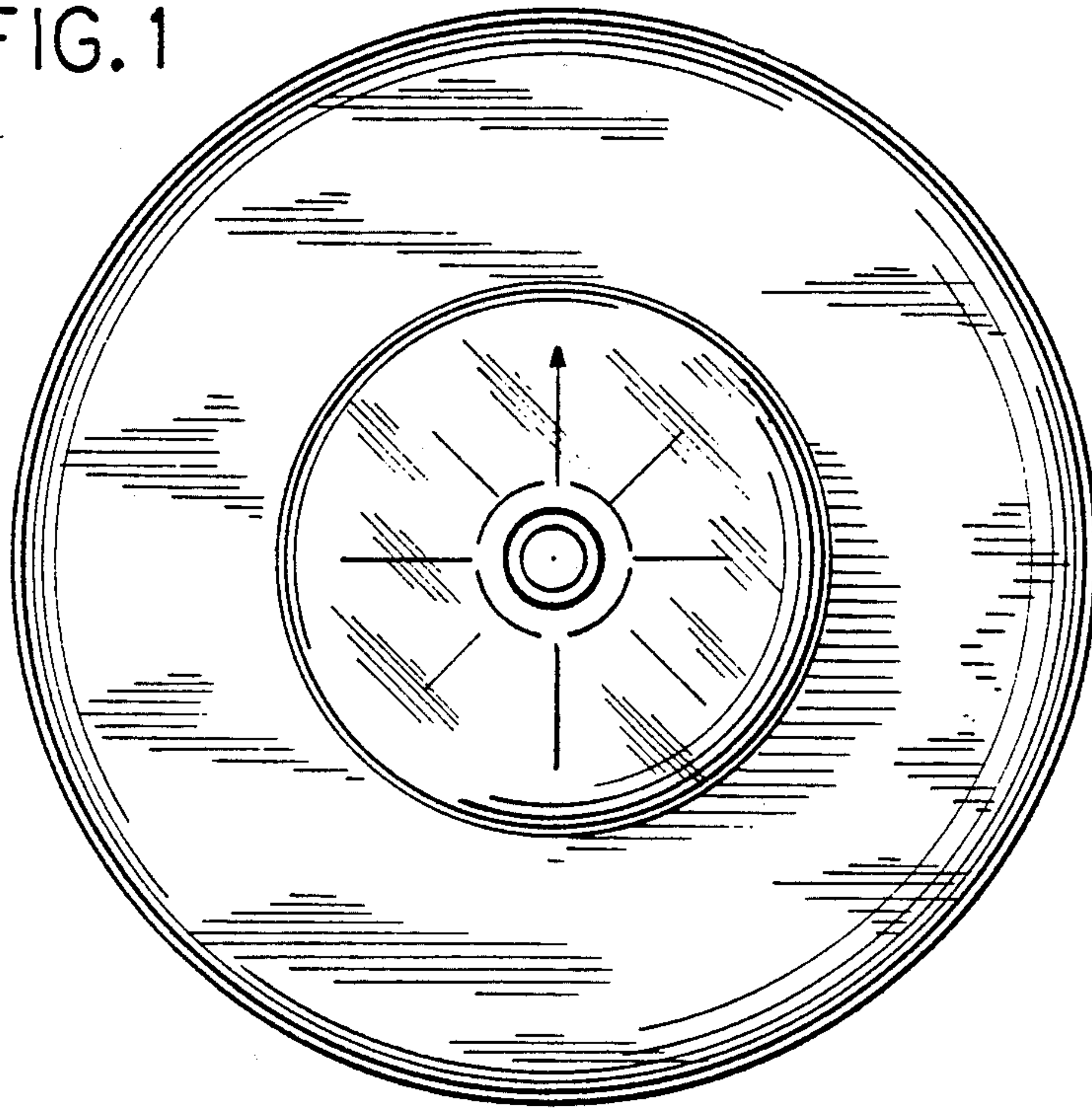


FIG. 2

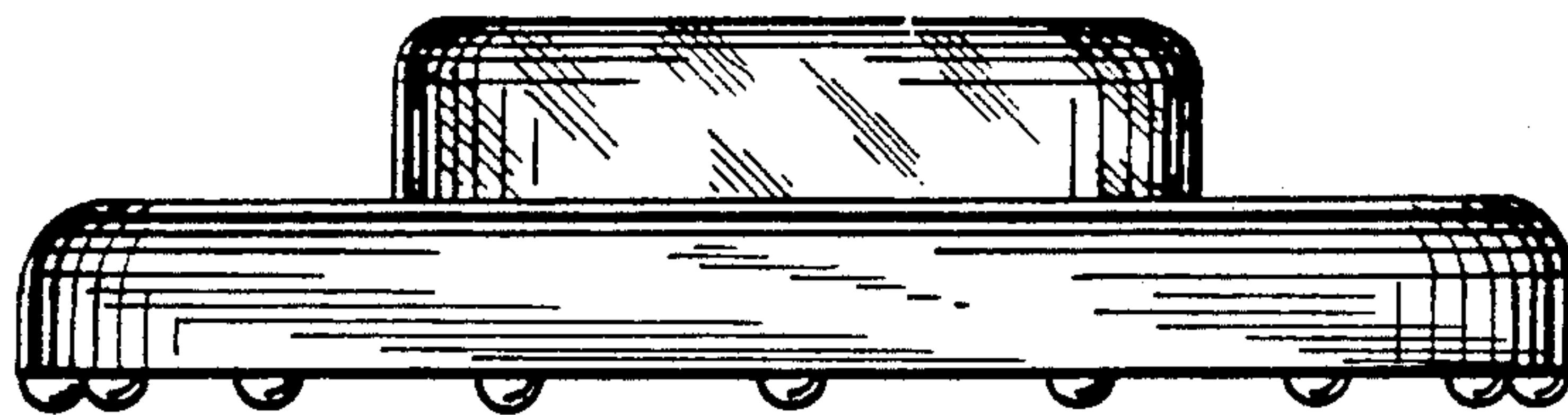


FIG. 3

