

[54] CONTAINER CLOSURE

[75] Inventors: Stig Lillelund; Eskil H. Olsen, both of Gentofte, Denmark

[73] Assignee: Dart Industries Inc., Deerfield, Ill.

[**] Term: 14 Years

[21] Appl. No.: 264,308

[22] Filed: Oct. 28, 1988

[52] U.S. Cl. D9/454

[58] Field of Search D9/434, 435, 440, 443, D9/454; 215/246, 247, 256, 277, 316; 220/90.4, 260, 270, 263, 355; D7/317, 391, 392

[56] References Cited

U.S. PATENT DOCUMENTS

D. 31,399	8/1899	Case	D9/434
D. 196,058	8/1963	Curtis	D7/391
D. 291,537	8/1987	Crawford et al.	D9/440
D. 303,905	10/1989	Gibert	D7/317
4,362,253	12/1982	Wortley et al.	215/256
4,931,329	6/1990	Sun	220/306

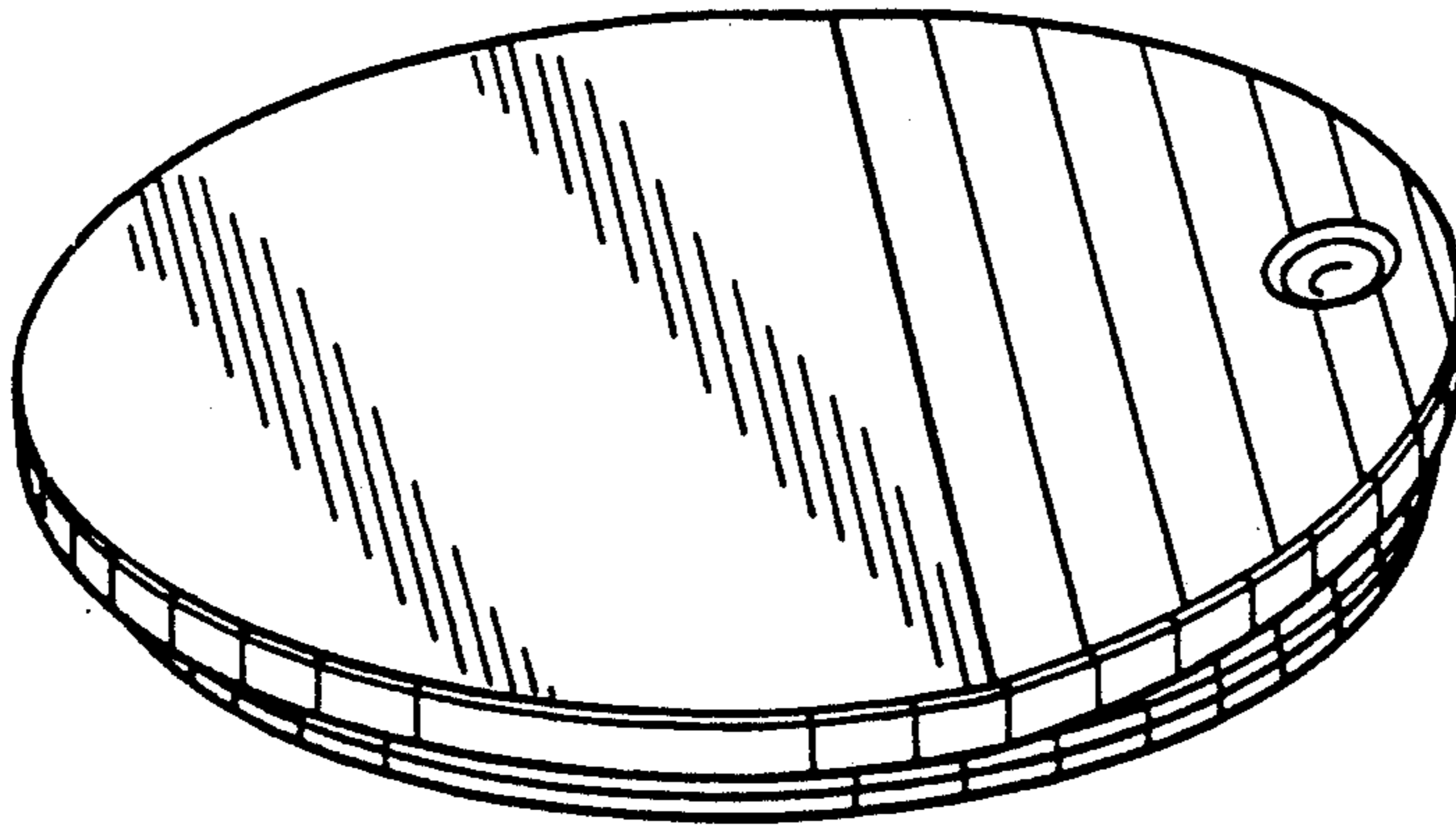
Primary Examiner—Melvin B. Feifer
Assistant Examiner—Philip Hyder
Attorney, Agent, or Firm—John A. Doninger

[57] CLAIM

The ornamental design for a container closure, as shown and described.

DESCRIPTION

FIG. 1 is a top perspective view of a container closure showing our new design;
FIG. 2 is a bottom perspective view thereof;
FIG. 3 is a top plan view thereof;
FIG. 4 is a bottom plan view thereof;
FIG. 5 is a front elevational view thereof;
FIG. 6 is a rear elevational view thereof;
FIG. 7 is a right side elevational view thereof;
FIG. 8 is a left side elevational view thereof;
FIG. 9 is a cross sectional view thereof, taken along line 9—9 of FIG. 3; and
FIG. 10 is a cross-sectional view thereof, taken along line 10—10 of FIG. 3.



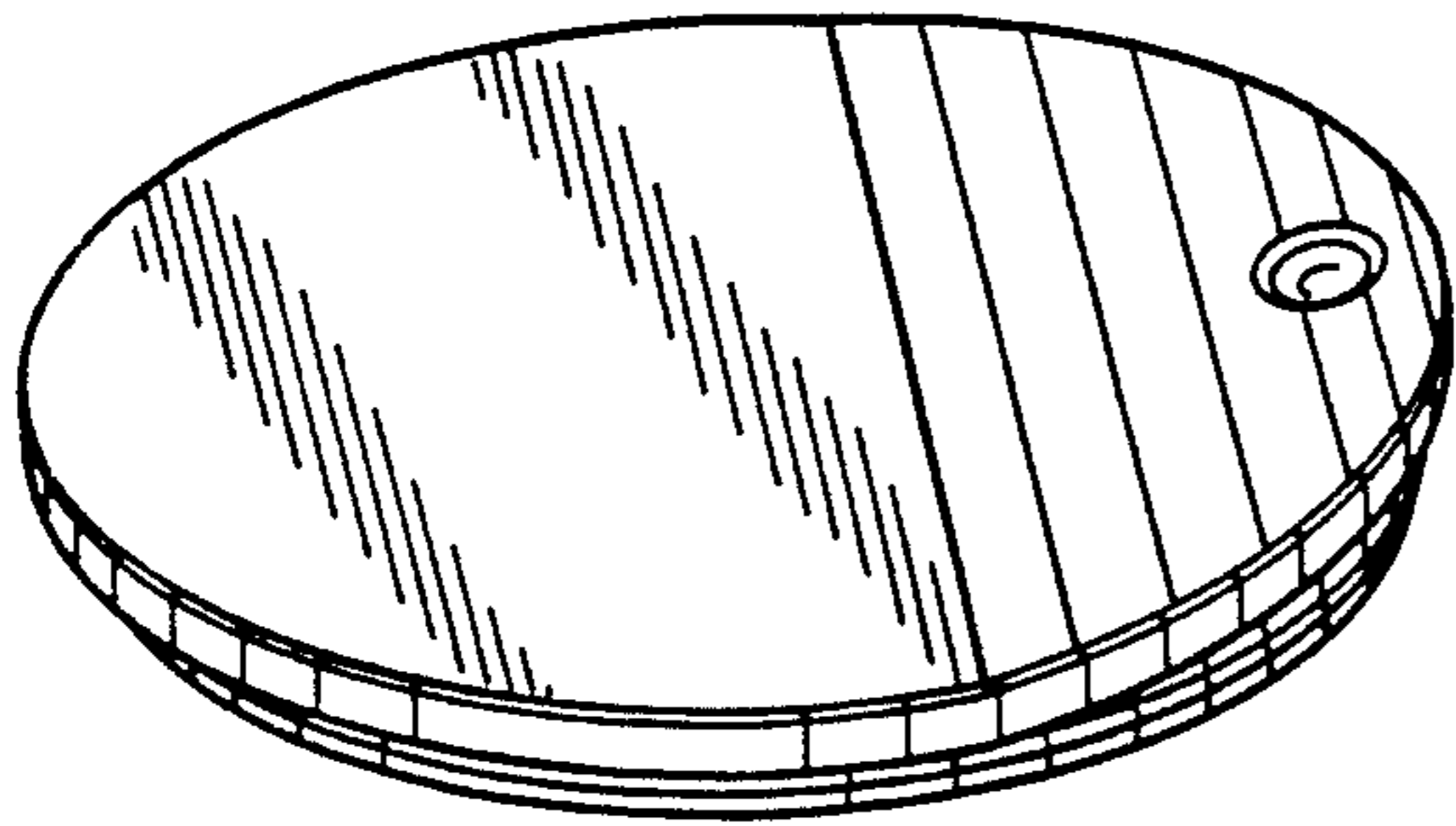


FIG. 1

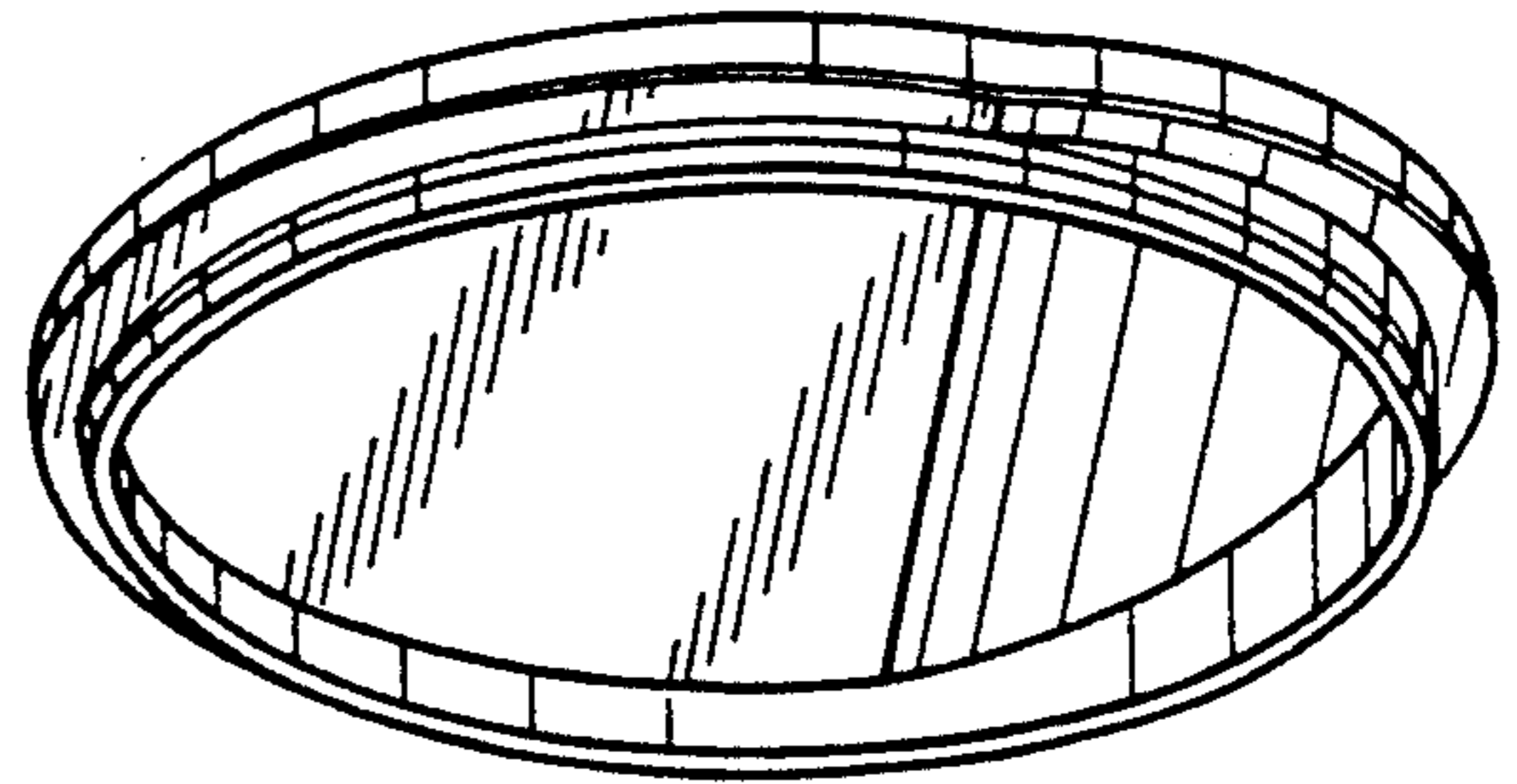


FIG. 2

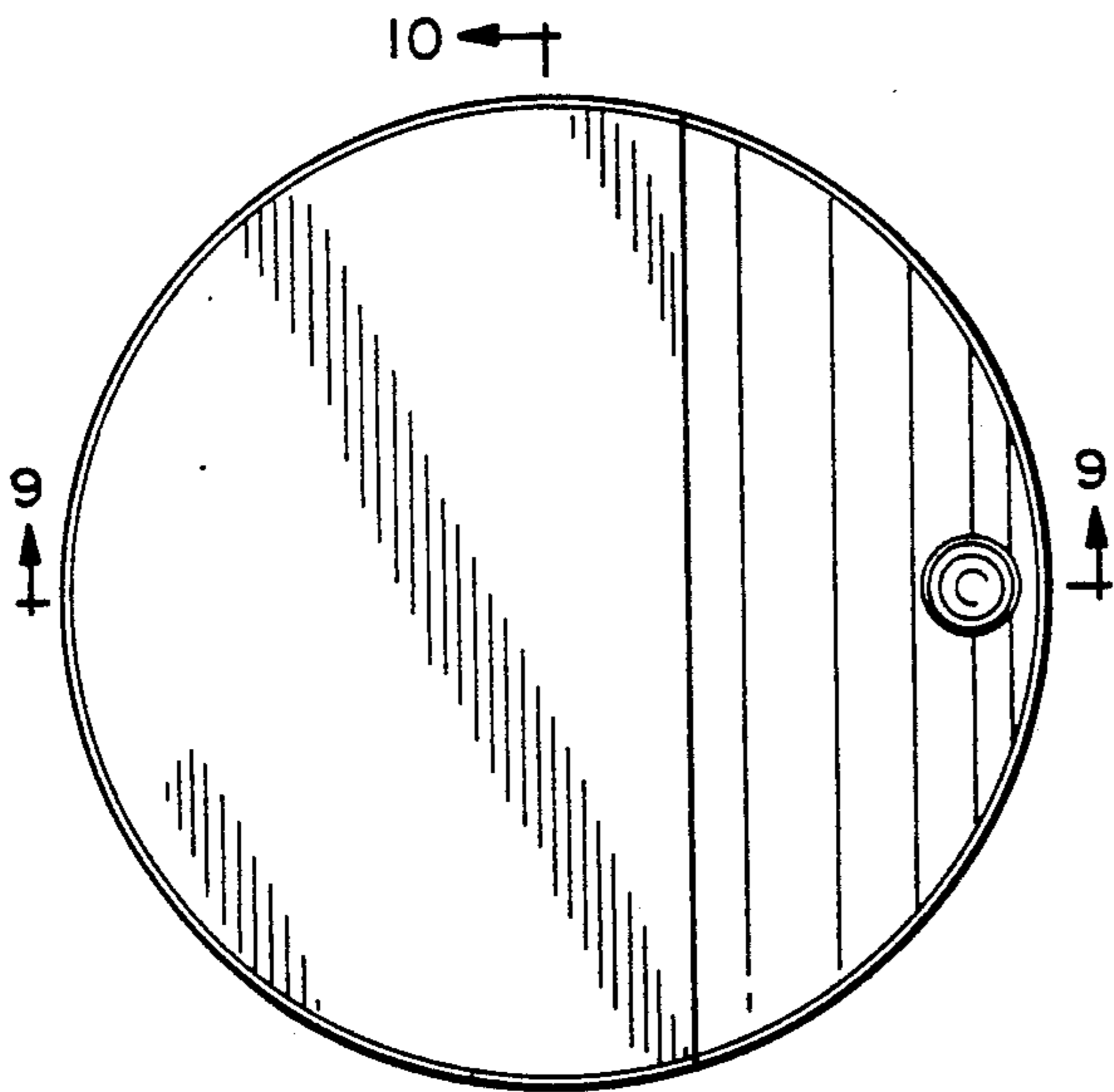


FIG. 3

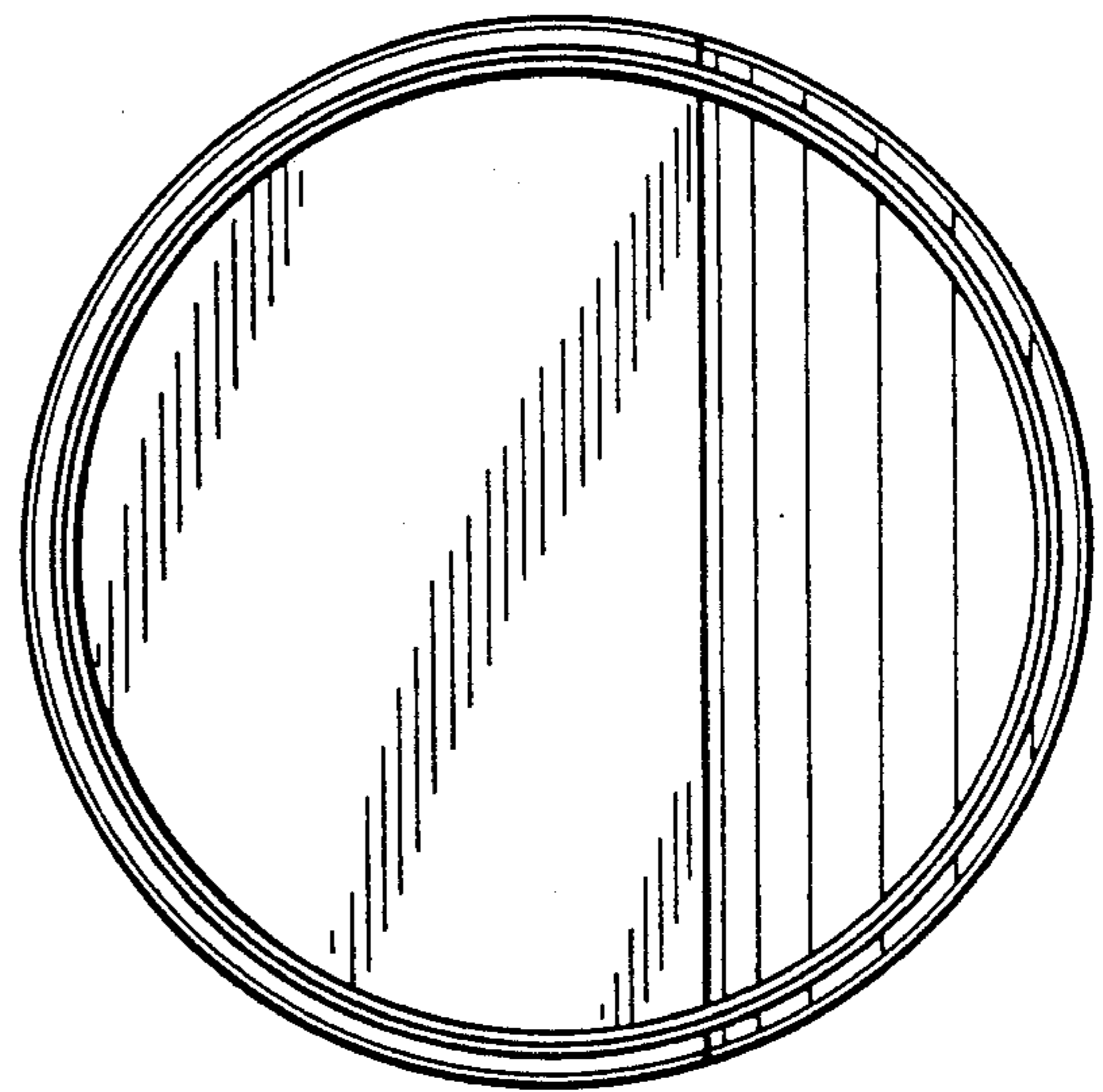


FIG. 4

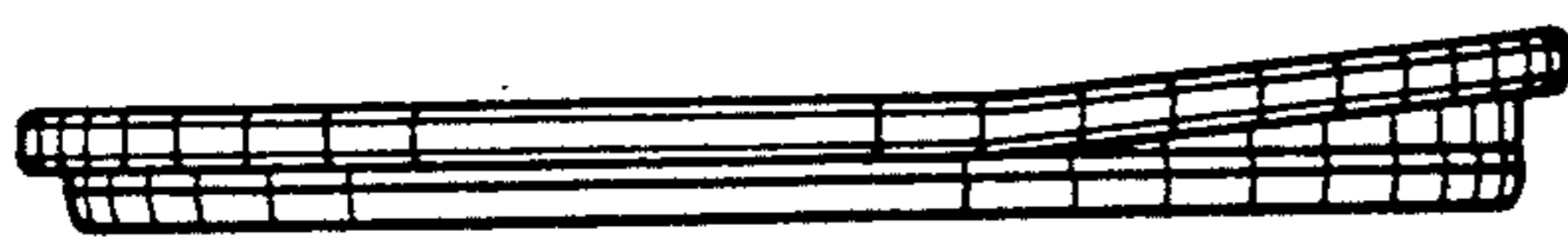


FIG. 5

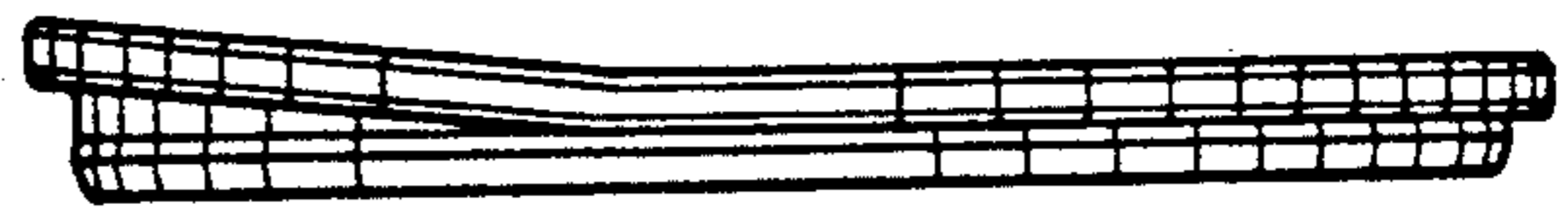


FIG. 6

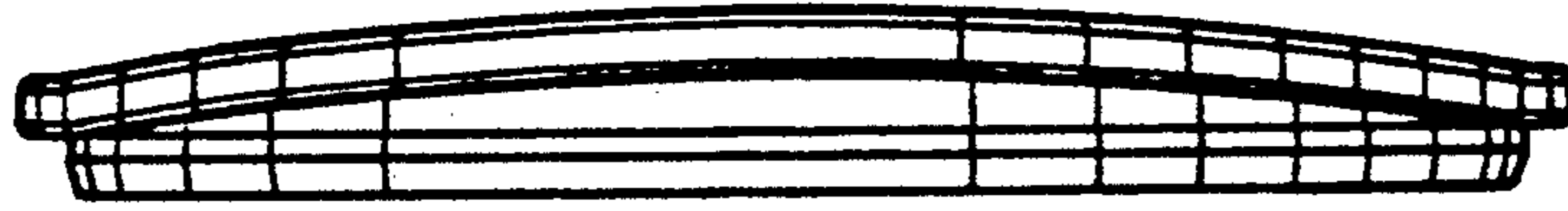


FIG. 7

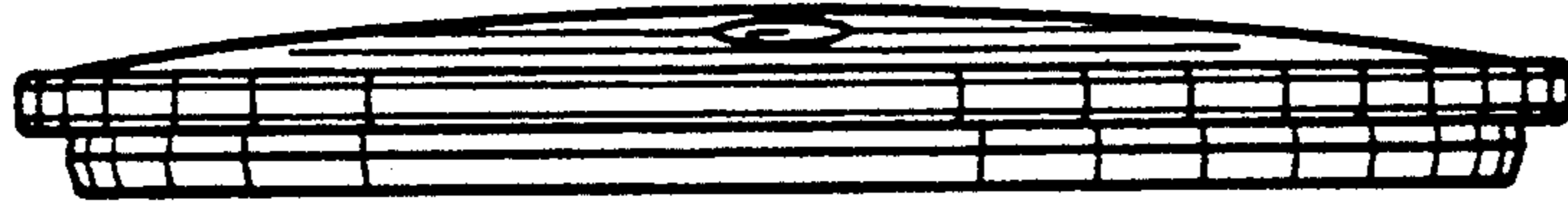


FIG. 8

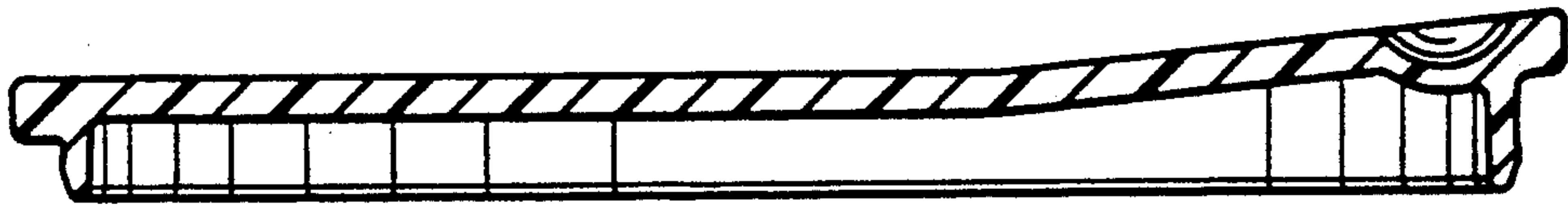


FIG. 9



FIG. 10