

[54] **COMBINED CONTAINER AND CAP**

[75] **Inventor: Christa M. Allen, Addison, Ill.**

[73] **Assignee: Fan Can, Inc., Addison, Ill.**

[**] **Term: 14 Years**

[21] **Appl. No.: 334,386**

[22] **Filed: Apr. 7, 1989**

[52] **U.S. Cl. D9/320**

[58] **Field of Search D9/307, 320, 451, 436,
D9/319, 489, 352-355, 434-454; 206/457;
220/376; 215/1 R, 1 C**

[56] **References Cited**

U.S. PATENT DOCUMENTS

D. 18,836 1/1889 Nicholson et al. D9/352
D. 91,854 3/1934 Steckler D9/443
D. 118,855 2/1940 Forsyth D9/319
D. 179,833 3/1957 Zelony D9/439
4,815,999 3/1989 Ayon et al. 206/457 X

Primary Examiner—Bernard Ansher
Assistant Examiner—C. Tuttle
Attorney, Agent, or Firm—Douglas B. White

[57] **CLAIM**

The ornamental design for a combined container and cap, as shown and described.

DESCRIPTION

FIG. 1 is a top front perspective view of a combined container and cap showing my new design; and FIG. 2 is an exploded perspective view thereof.

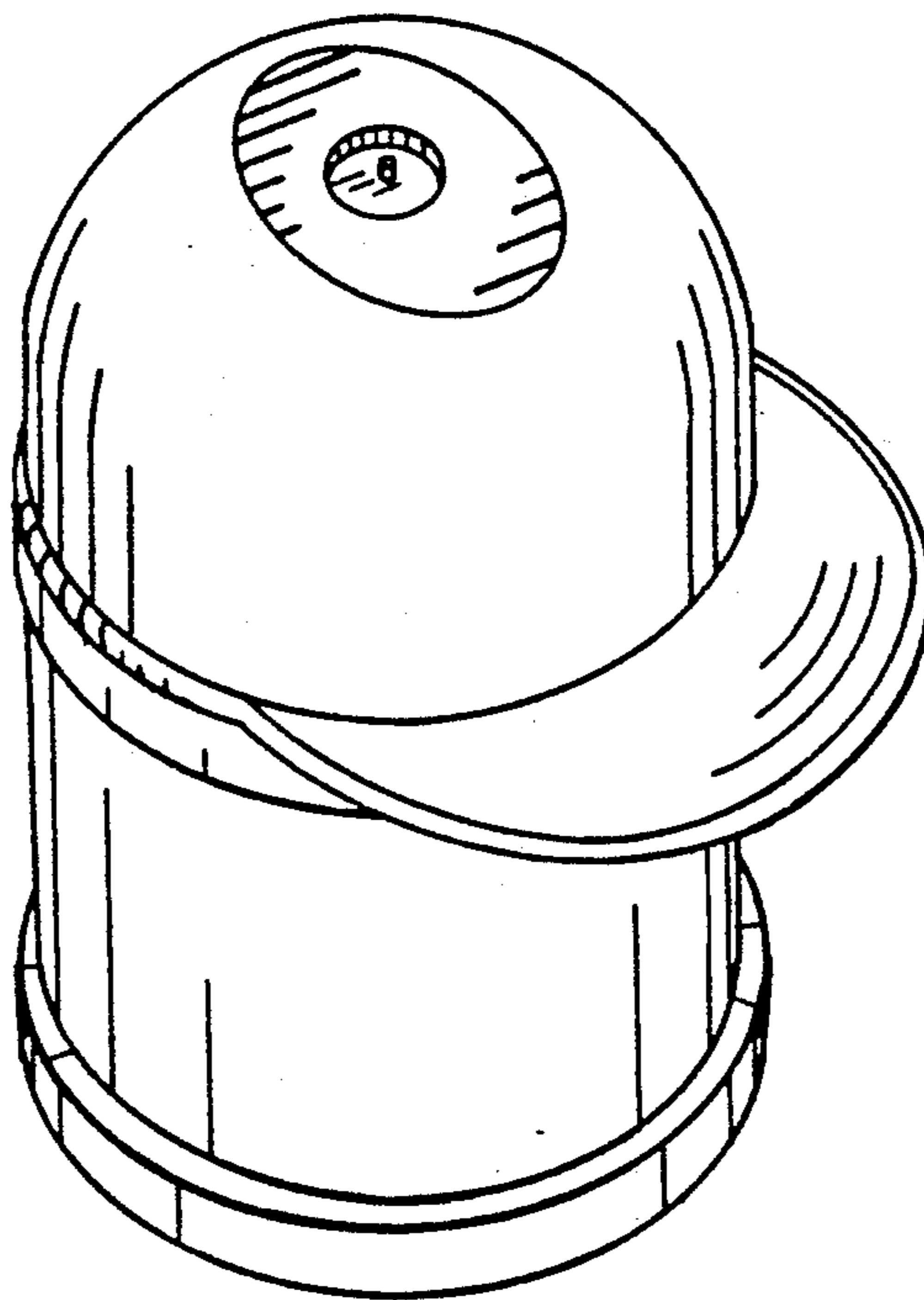


FIG. 1

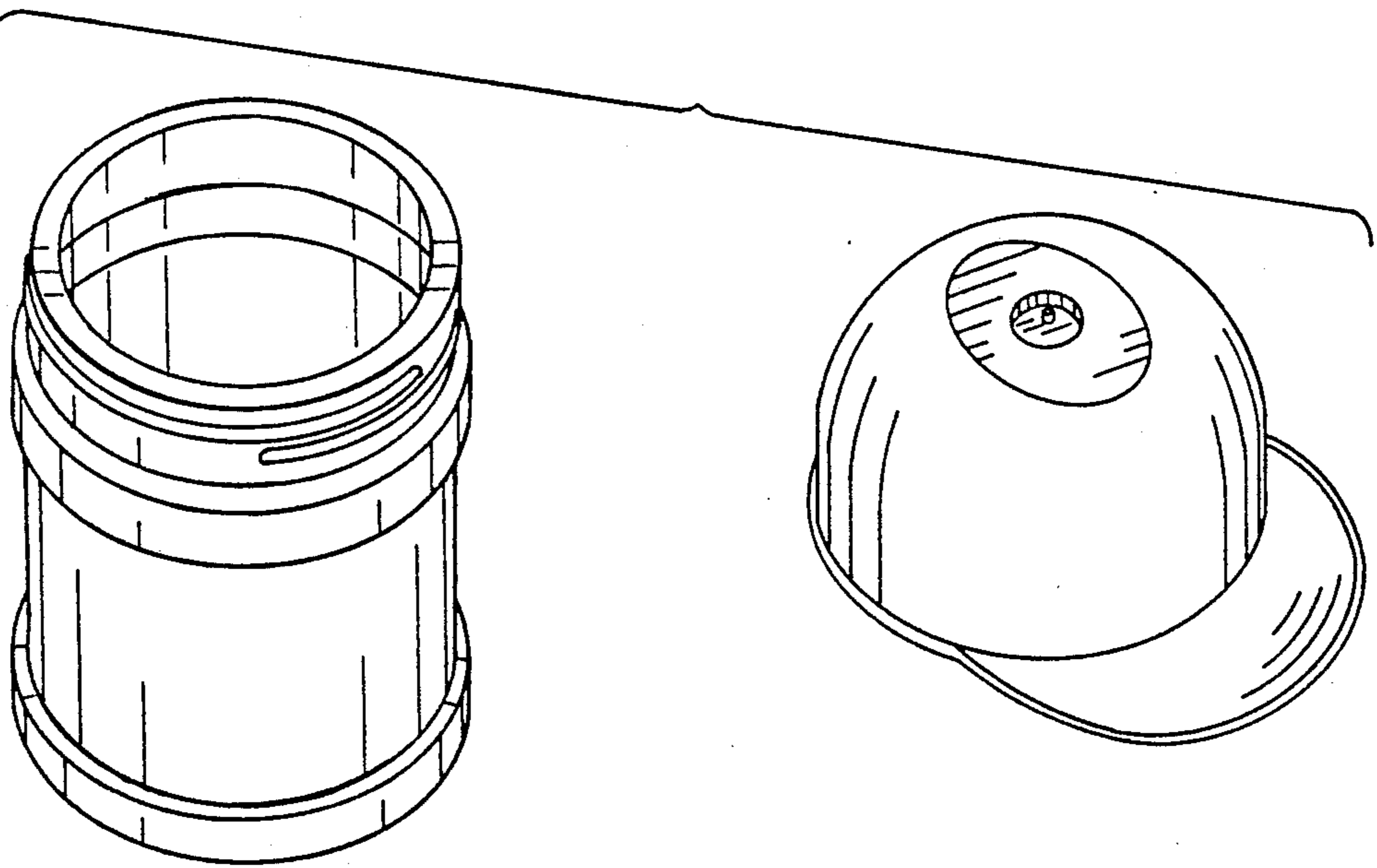
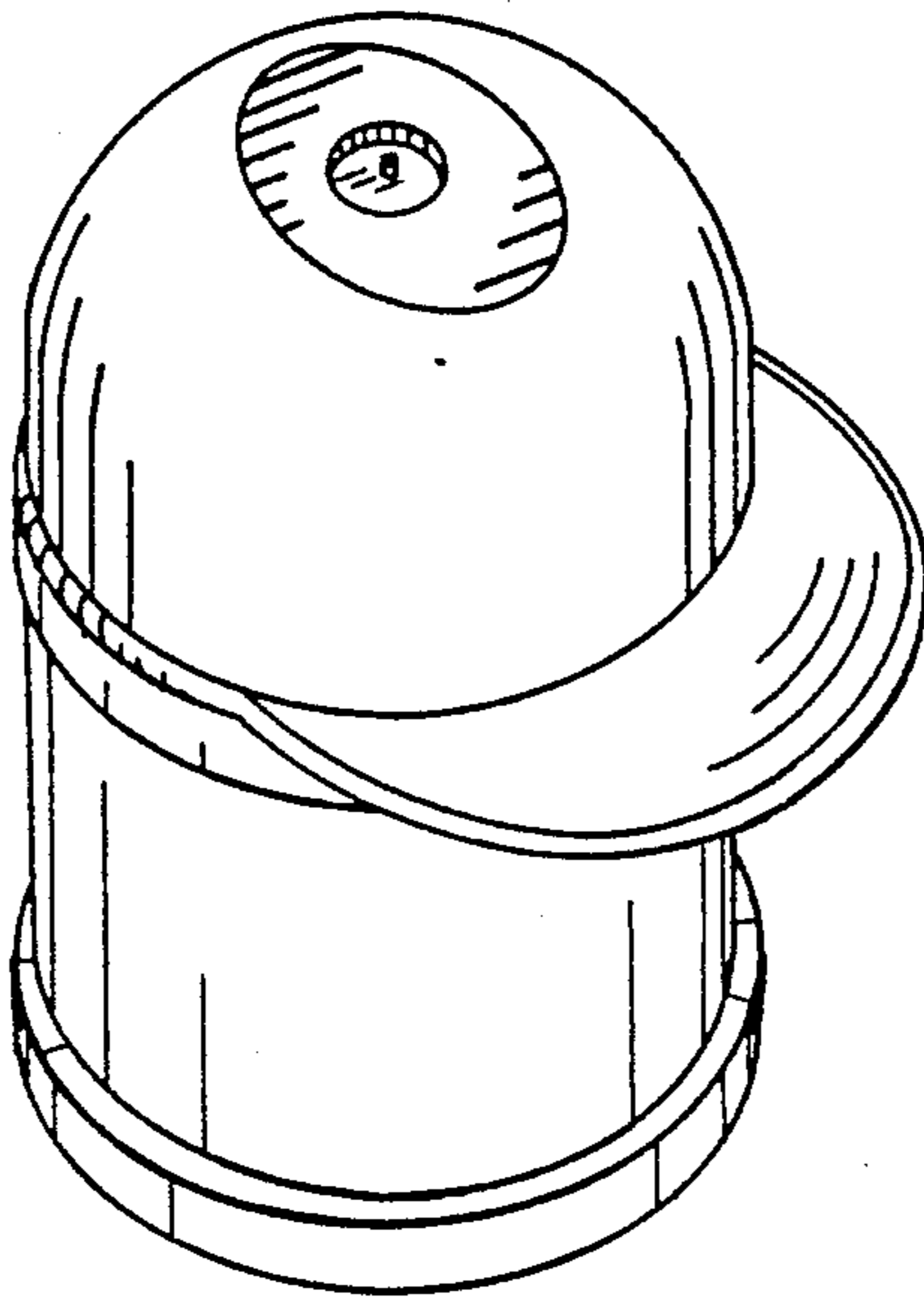


FIG. 2