

[54] PULL TAB CLOSURE
[76] Inventors: Stina Stenberg, Lilla Fiskareg. 6, Lund, Sweden, 222 22; Lars-Erik Piltz, Konventsv. 3, Dalby, Sweden, 240 10

[**] Term: 14 Years
[21] Appl. No.: 232,892
[22] Filed: Aug. 16, 1988

[30] Foreign Application Priority Data
Feb. 16, 1988 [SE] Sweden 88-375
[52] U.S. Cl. D9/438; D9/454
[58] Field of Search D9/435, 438, 454; 220/269, 270, 272, 273, 276

[56] References Cited
U.S. PATENT DOCUMENTS
D. 271,663 12/1983 Stark et al. D9/438
D. 297,309 8/1988 Piltz .
D. 299,426 1/1989 Piltz .
3,195,768 7/1965 Bozek 220/272
3,200,985 8/1965 Ashley D9/438
3,251,503 5/1966 Bozek D9/438
3,255,917 6/1966 Frazee D9/438
3,281,007 10/1966 Dorosz D9/438

3,400,852 9/1968 Khoury 220/273
3,416,699 12/1968 Bozek D9/438
4,456,146 6/1984 Helms 220/270
4,548,333 10/1985 Kobayashi et al. 220/276
4,572,393 2/1986 Kobayashi et al. 220/270

OTHER PUBLICATIONS

Modern Packaging; Jan. 1974; p. 40, Falstaff beer can. Modern Packaging Encyclopedia; 1966, p. 372; Old Milwaukee Beer Can (2nd from right bottom). Package Engineering; Jan. 1979; p. 69; New Way Pull Tab Can.

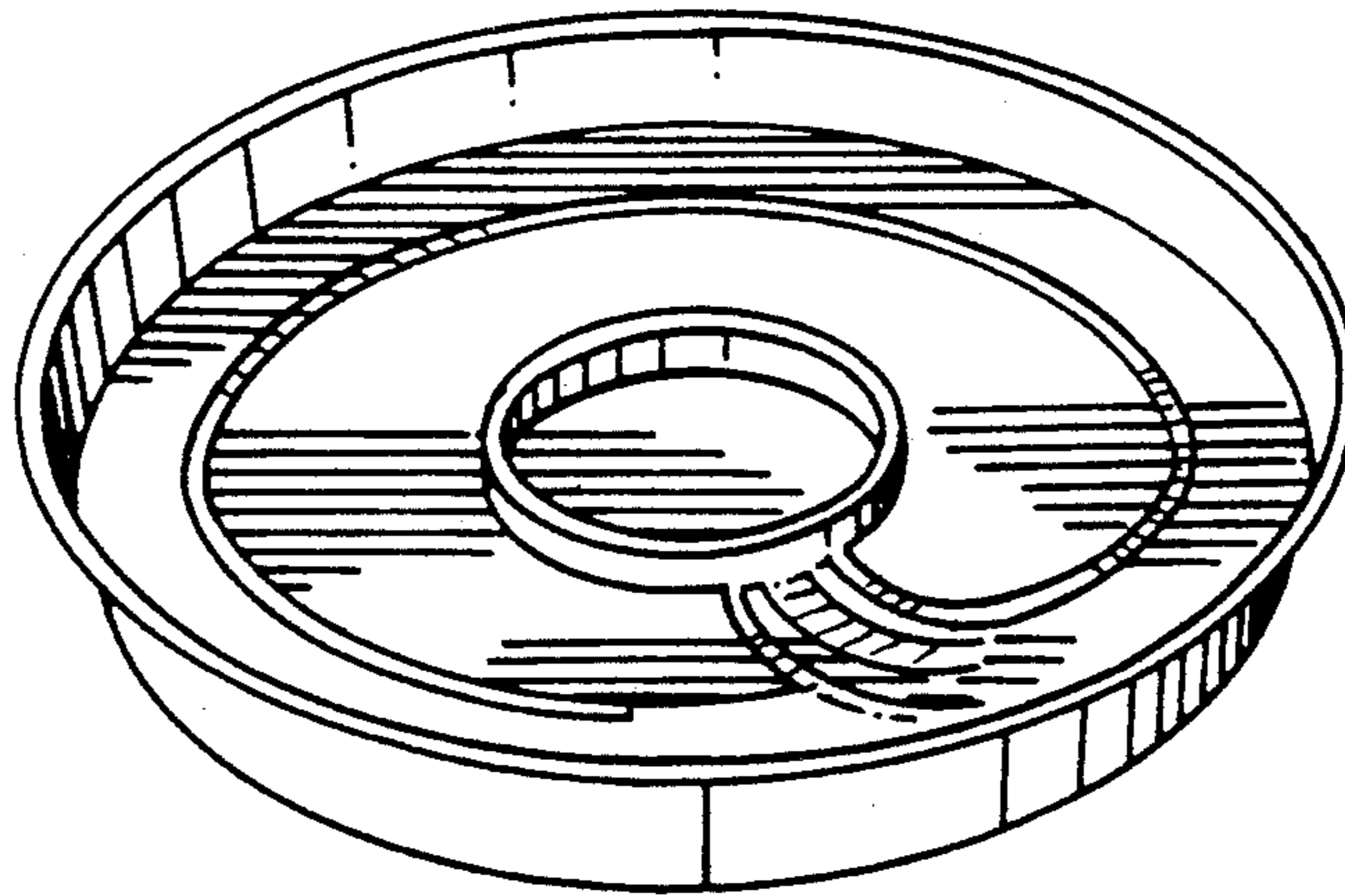
Primary Examiner—Melvin B. Feifer
Assistant Examiner—Dominic Simone
Attorney, Agent, or Firm—Lerner, David, Littenberg, Krumholtz & Mentlik

[57] CLAIM

The ornamental design for a pull tab closure, as shown.

DESCRIPTION

FIG. 1 is a top plan view of a pull tab closure showing our new design;
FIG. 2 is a bottom plan view thereof;
FIG. 3 is a side elevational view thereof, all sides being identical, the can shown in broken lines for illustrative purposes only;
FIG. 4 is a top perspective view thereof.



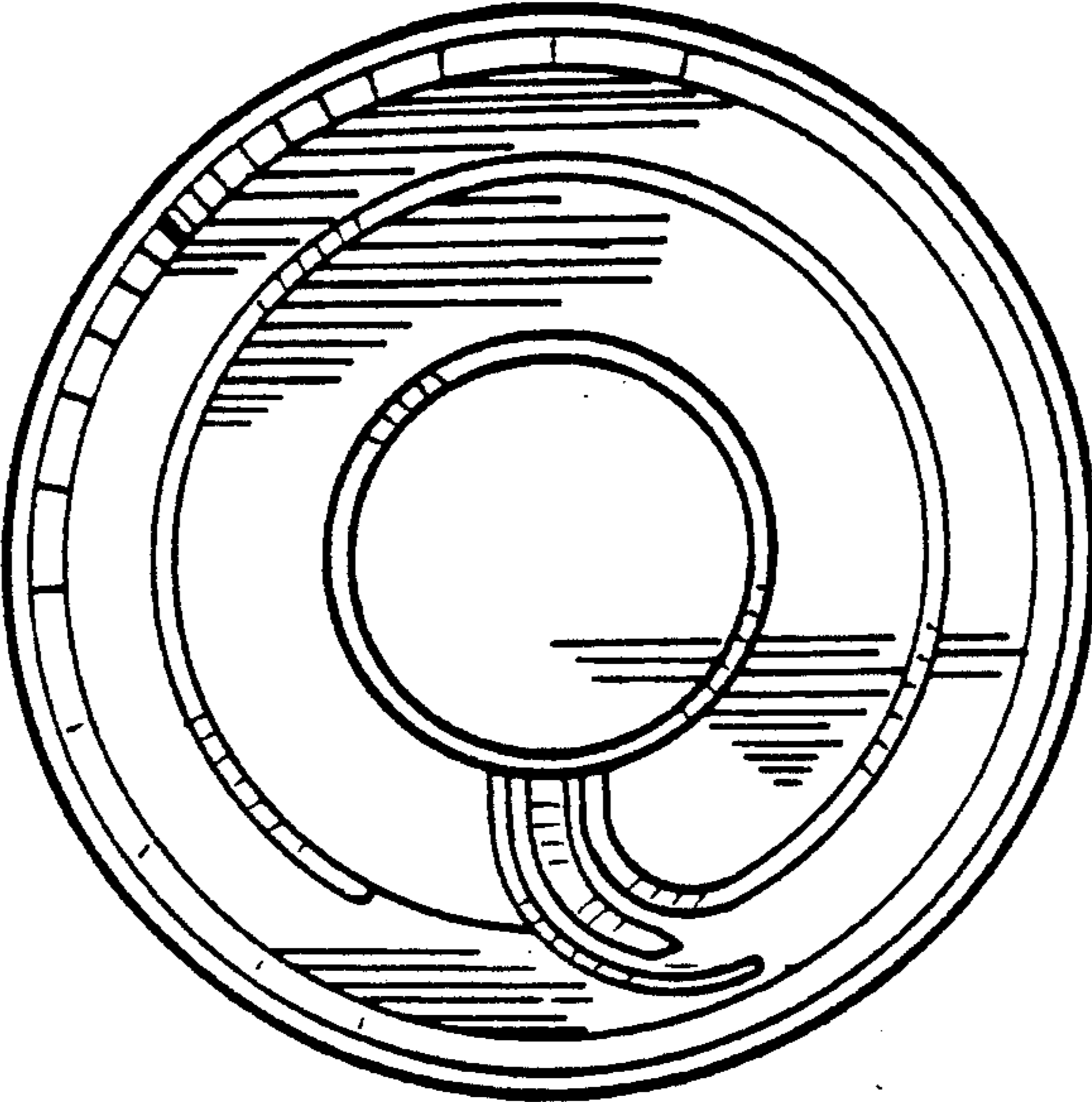


FIG. 1

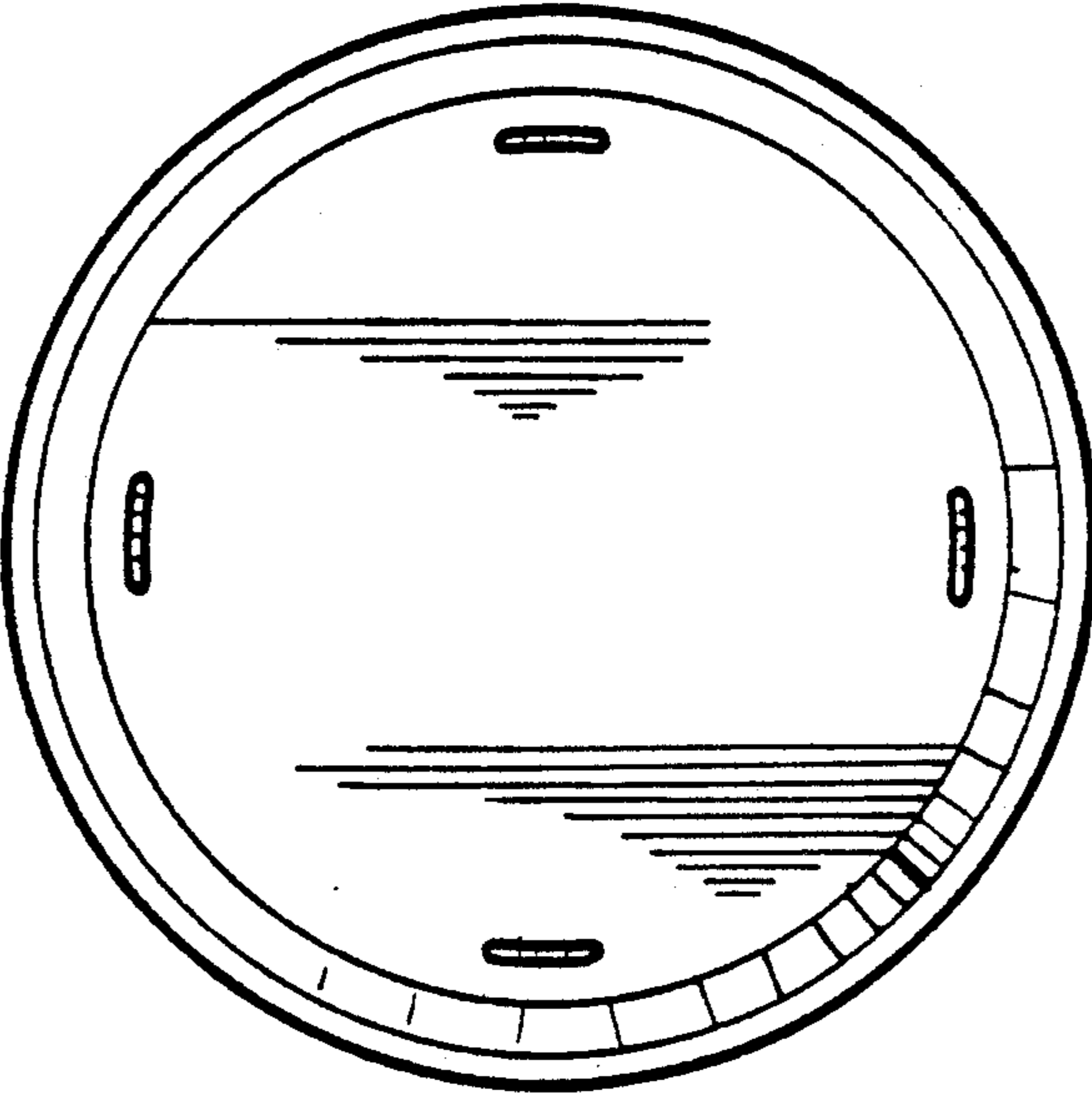


FIG. 2

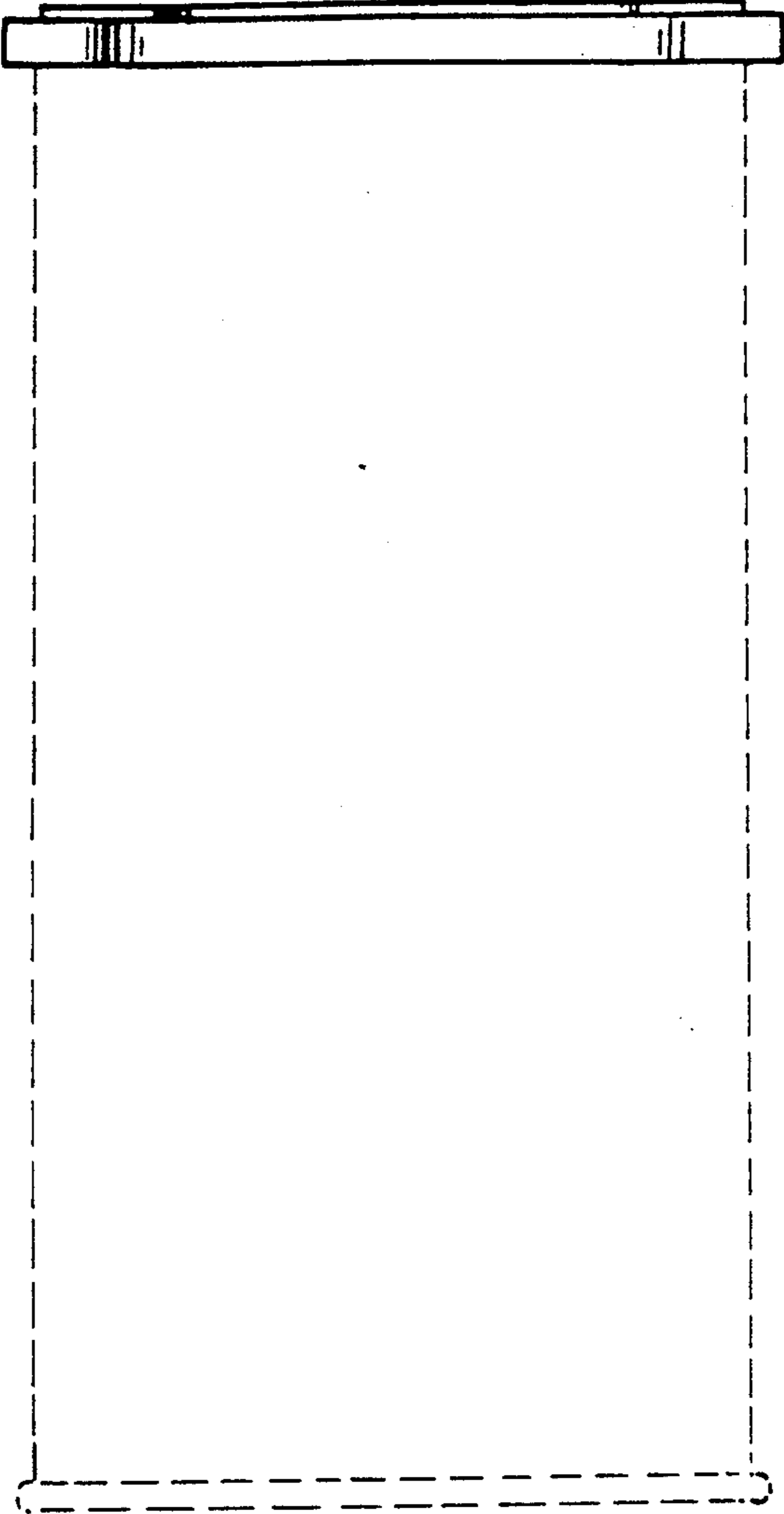


FIG. 3

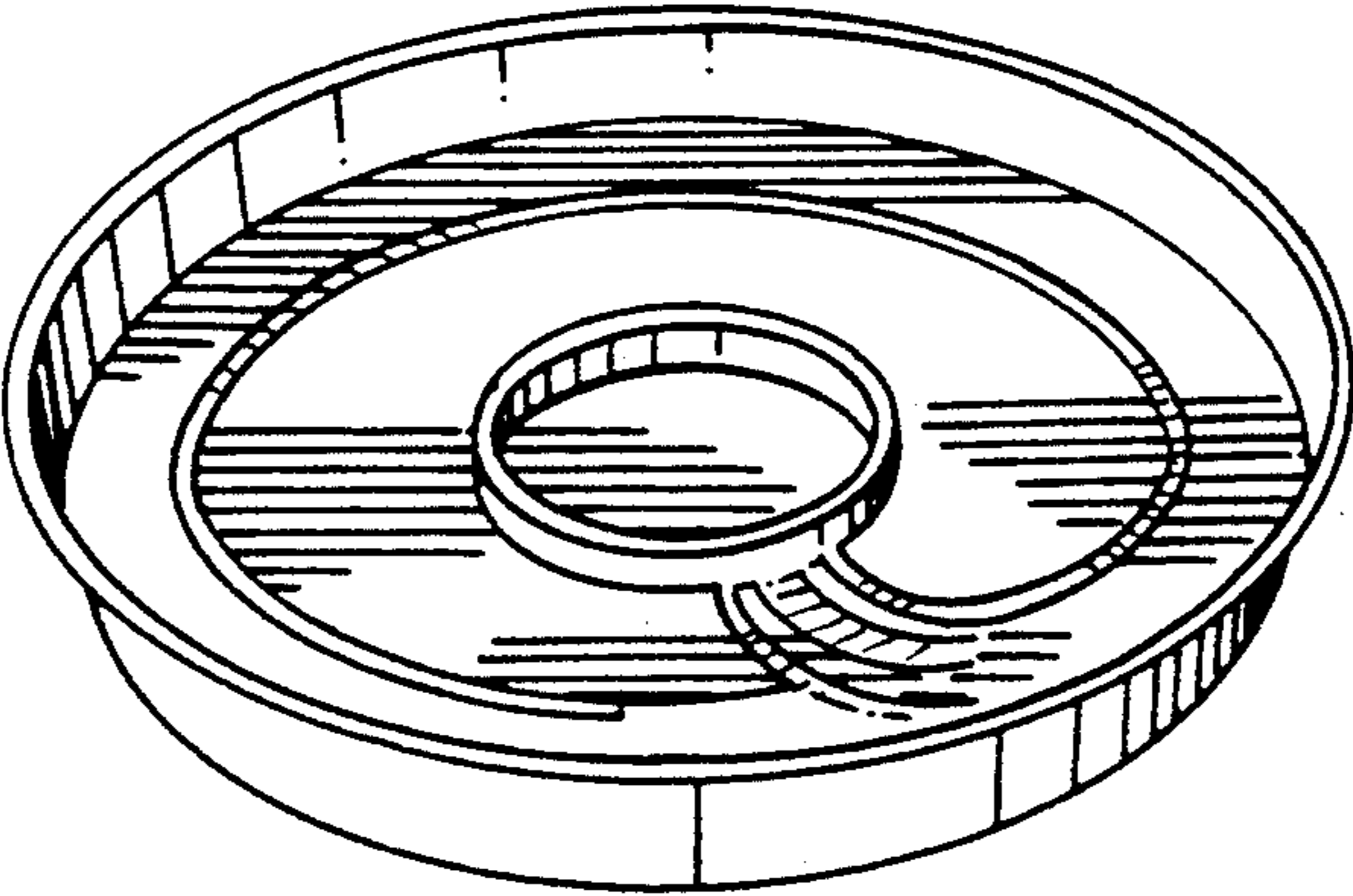


FIG. 4