

[54] LATCH OR LOCK HOUSING WITH PUSH BUTTON OPERATOR

[75] Inventors: Lee S. Weinerman, Medina; Joel T. Vargus, Middleburg Heights, both of Ohio

[73] Assignee: The Eastern Company, Cleveland, Ohio

[**] Term: 14 Years

[21] Appl. No.: 305,011

[22] Filed: Feb. 1, 1989

[52] U.S. Cl. D8/331

[58] Field of Search D8/330-331, D8/338, 341, 300, 302; 70/77-78, 80-81, 89-91, 95-96, 100, 158, 448, 450, 452; 292/163, DIG. 11, DIG. 12, DIG. 23, DIG. 32

[56] References Cited

U.S. PATENT DOCUMENTS

D. 265,965	8/1982	Davis et al.	D8/302
D. 270,328	8/1983	Davis et al.	D8/302
D. 312,769	12/1990	Bisbing	D8/338
767,567	8/1904	Keil .	
824,027	6/1906	Keeler .	
1,035,073	8/1912	Augenbraun	70/150
2,475,951	7/1949	Floraday	70/139
2,511,253	6/1950	Fischer	292/129
2,530,330	11/1950	Groeger	292/29
2,540,686	2/1951	Milburn	292/124
3,044,287	7/1962	Pelcin	70/99
3,751,953	8/1973	Newman	70/452 X

3,958,308	5/1976	Gooding	24/221
4,312,203	1/1982	Davis	70/472
4,457,146	7/1984	Weinerman	70/100
4,511,166	4/1985	Weinerman	292/29
4,565,080	1/1986	Kincaid et al.	70/215
4,570,467	2/1986	Greco	70/99
4,768,360	9/1988	Foshee	70/100
4,912,951	4/1990	Weinerman et al.	70/99

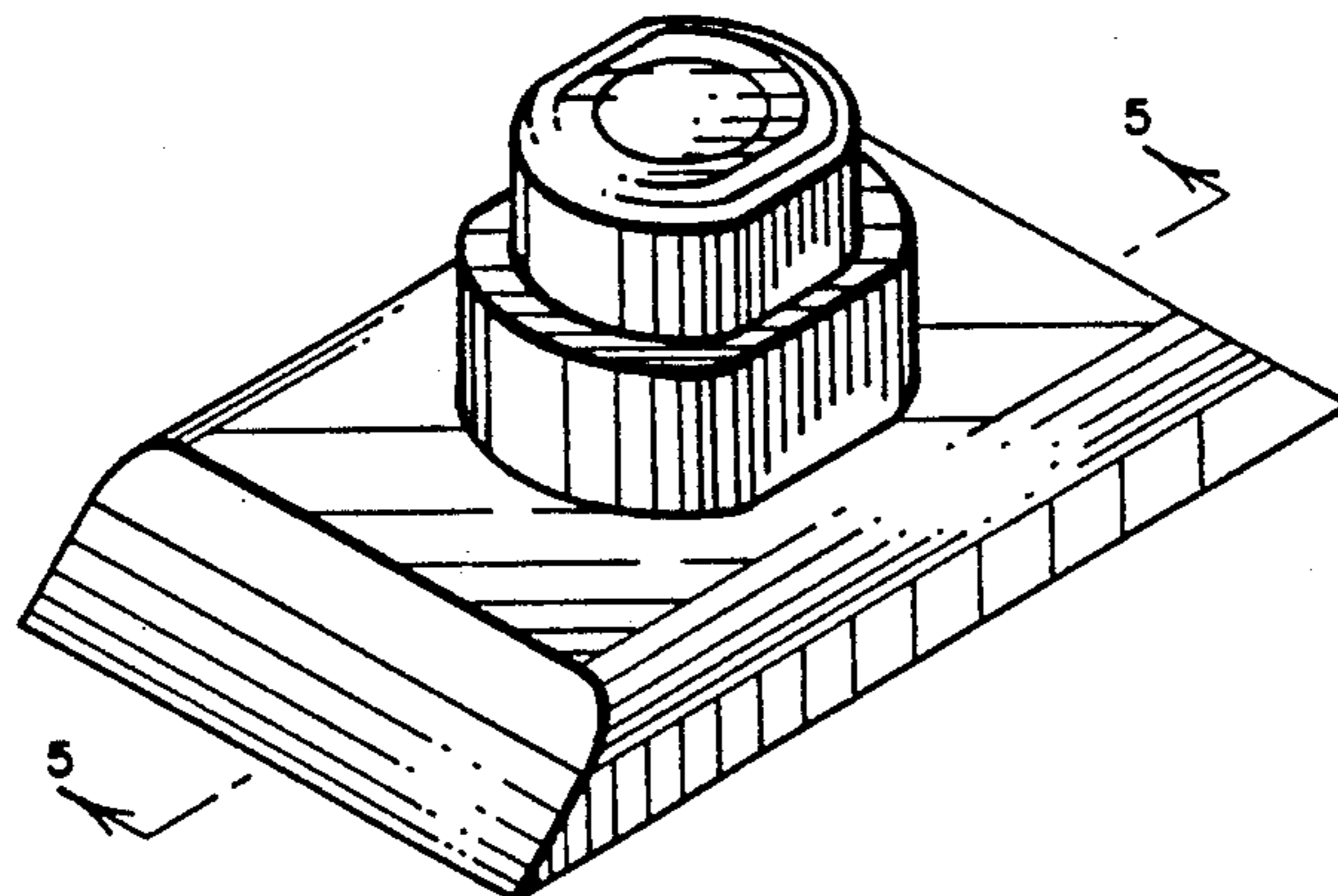
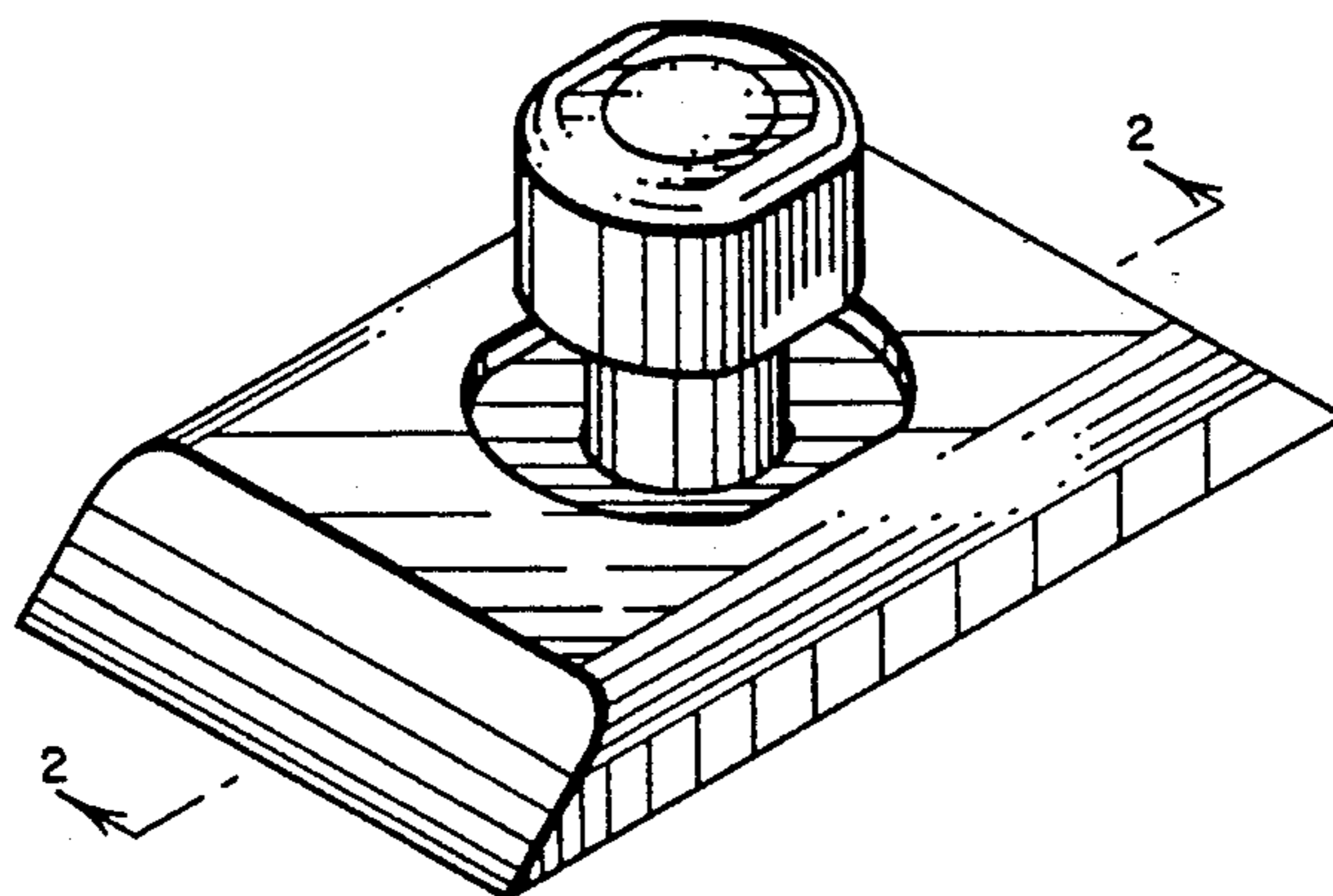
Primary Examiner—Wallace R. Burke
 Assistant Examiner—Brian N. Vinson
 Attorney, Agent, or Firm—David A. Burge

[57] CLAIM

The ornamental design for a latch or lock housing with push button operator, as shown and described.

DESCRIPTION

FIG. 1 is a top, side, and end perspective view of a latch or lock housing with push button operator showing our new design, the opposite side and end being identical in appearance to those shown;
 FIG. 2 is a vertical cross-sectional view thereof, taken along line 2—2 of FIG. 1;
 FIG. 3 is a top, side, and end perspective view thereof, with the push button shown depressed;
 FIG. 4 is a top, side, and end perspective view of an alternate embodiment thereof, the opposite side and end being identical in appearance to those shown;
 FIG. 5 is a vertical cross-sectional view of the embodiment of FIG. 4, taken along line 5—5 of FIG. 4; and
 FIG. 6 is a top, side, and end perspective view of the embodiment of FIG. 4 with the bush button shown depressed.



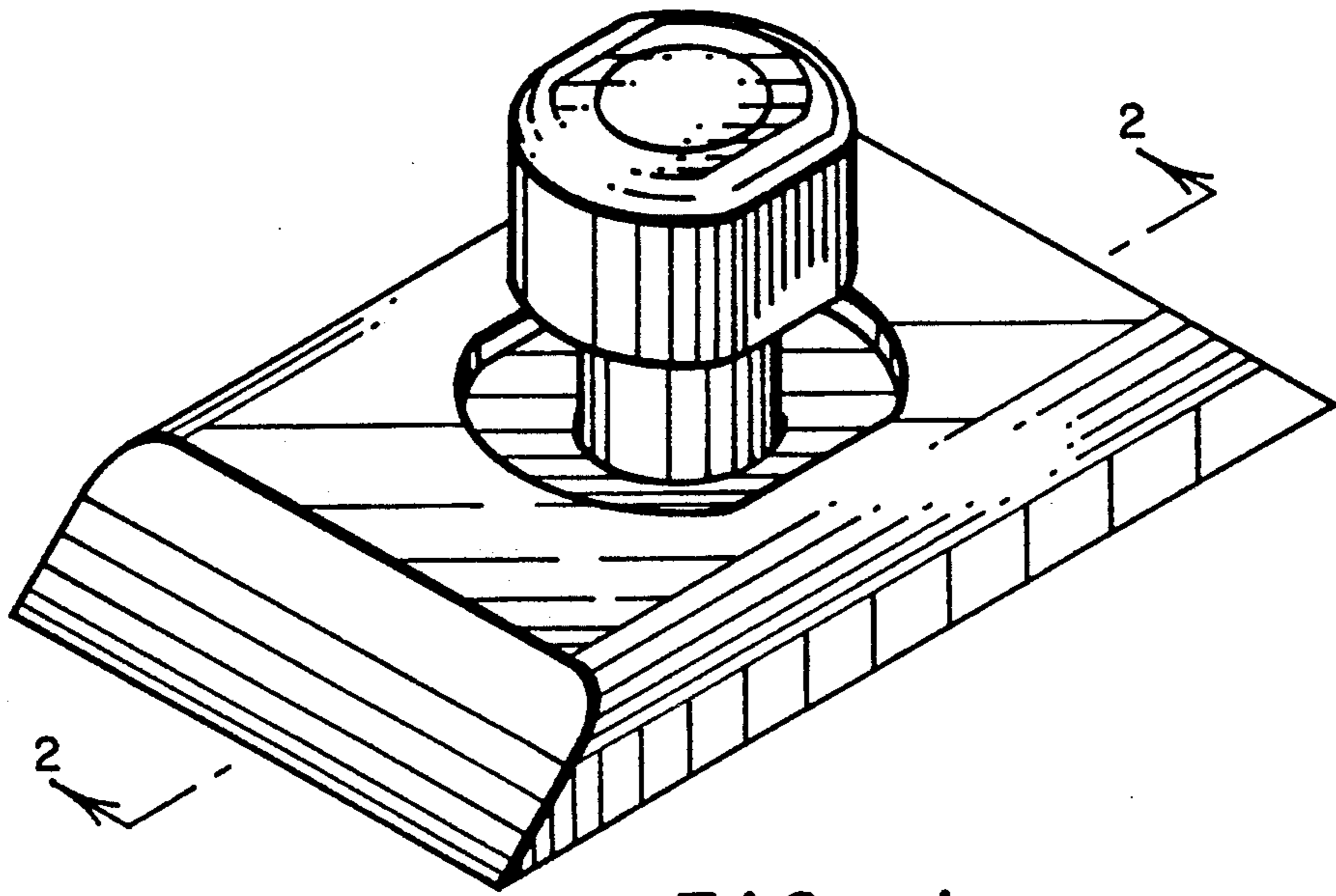


FIG. 1

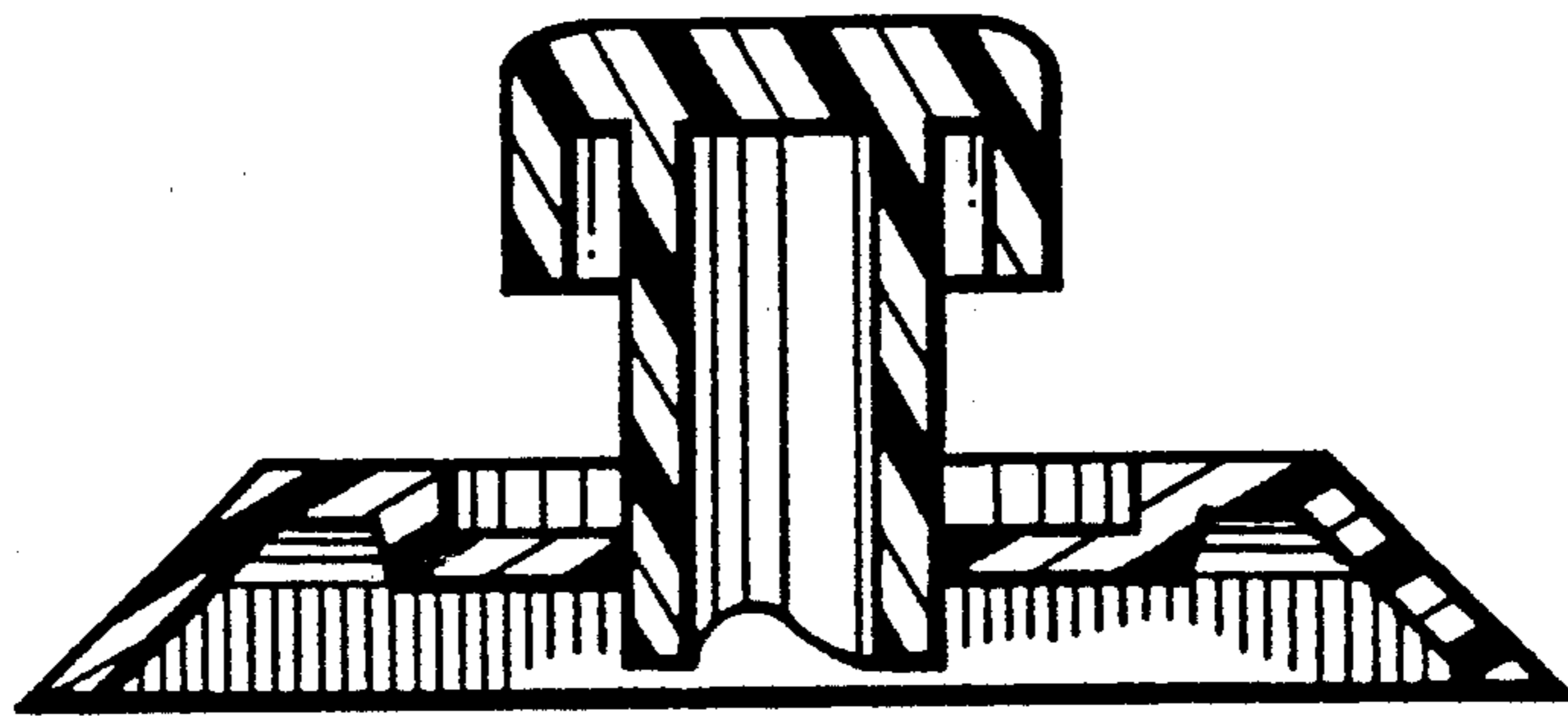


FIG. 2

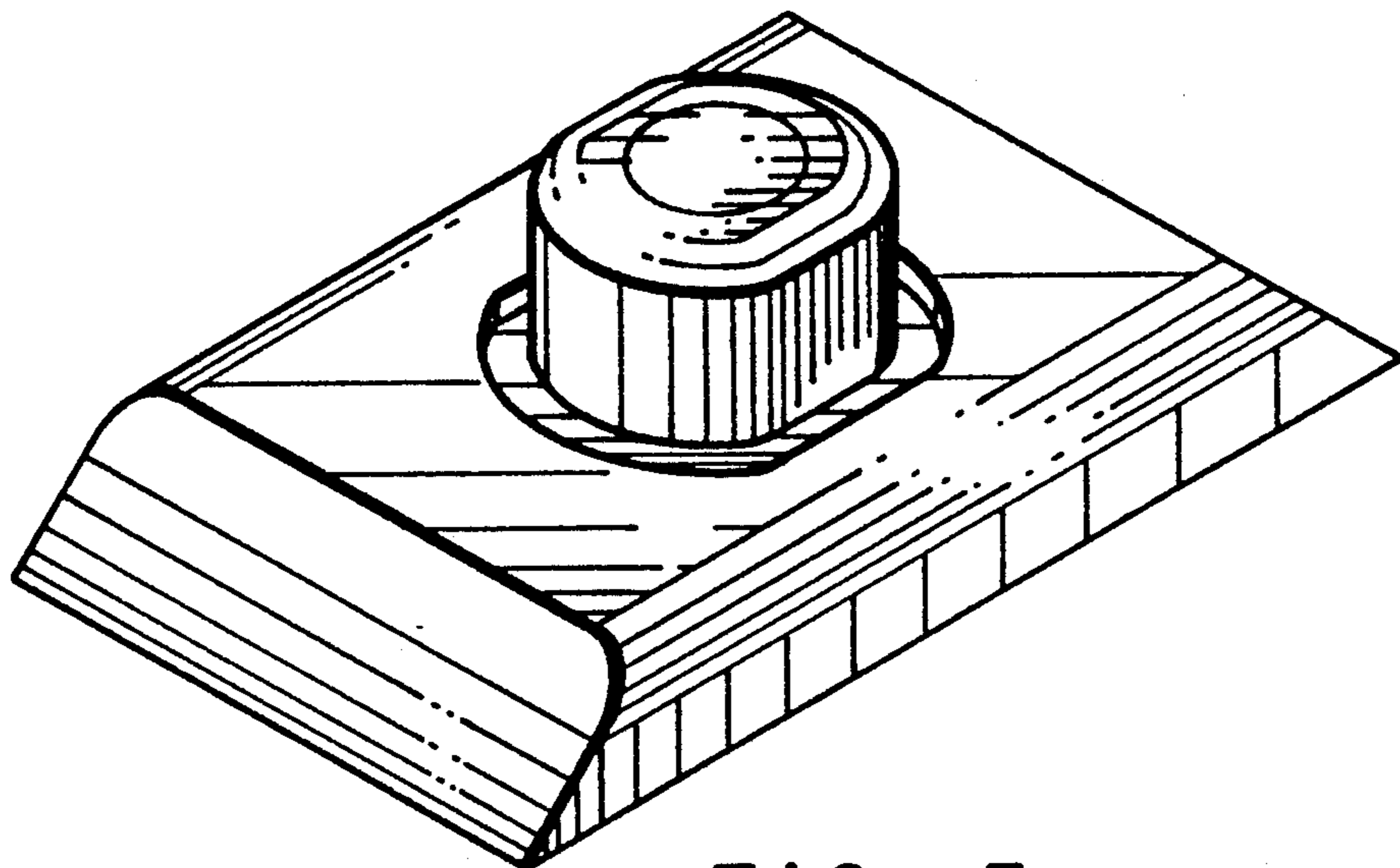


FIG. 3

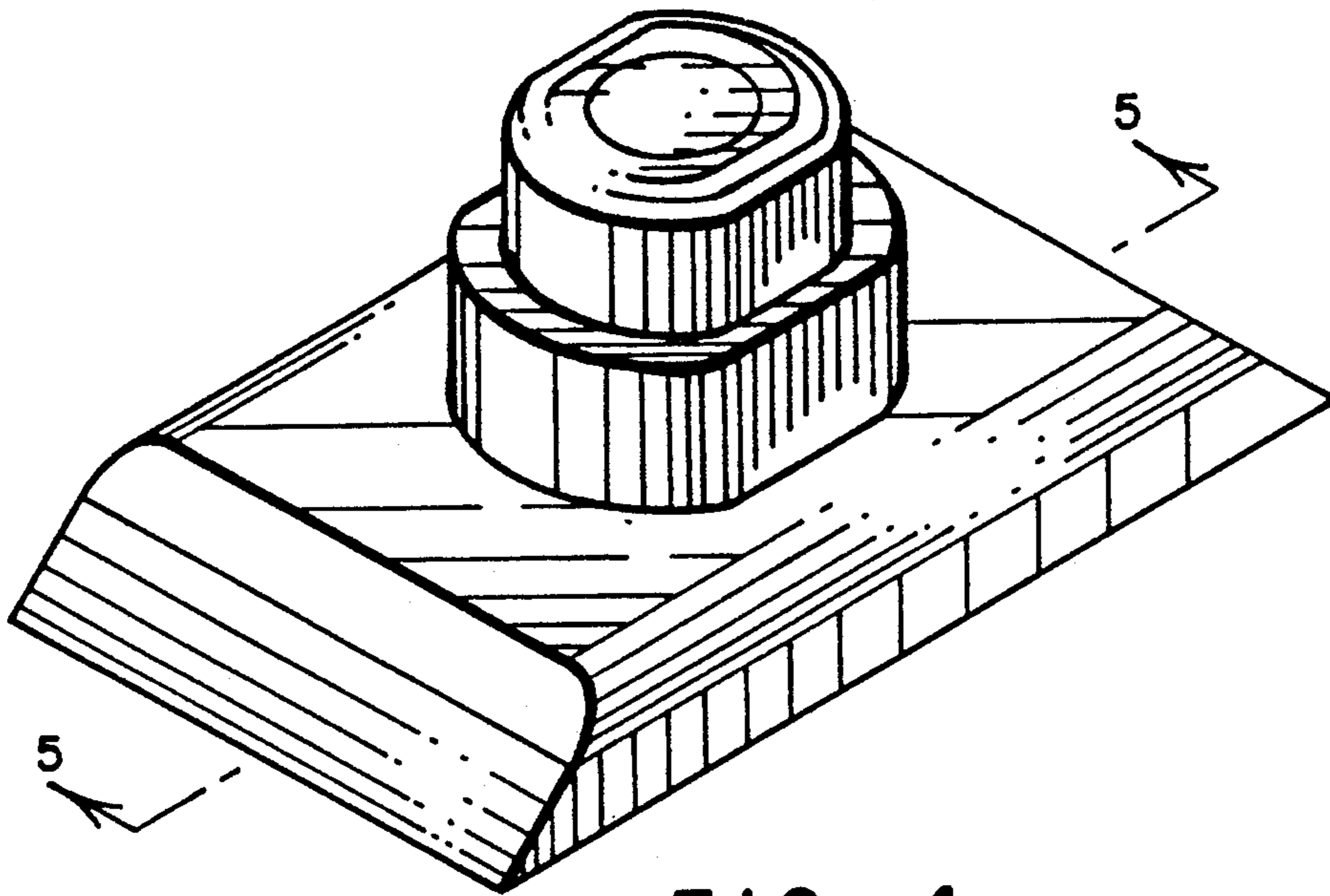


FIG. 4

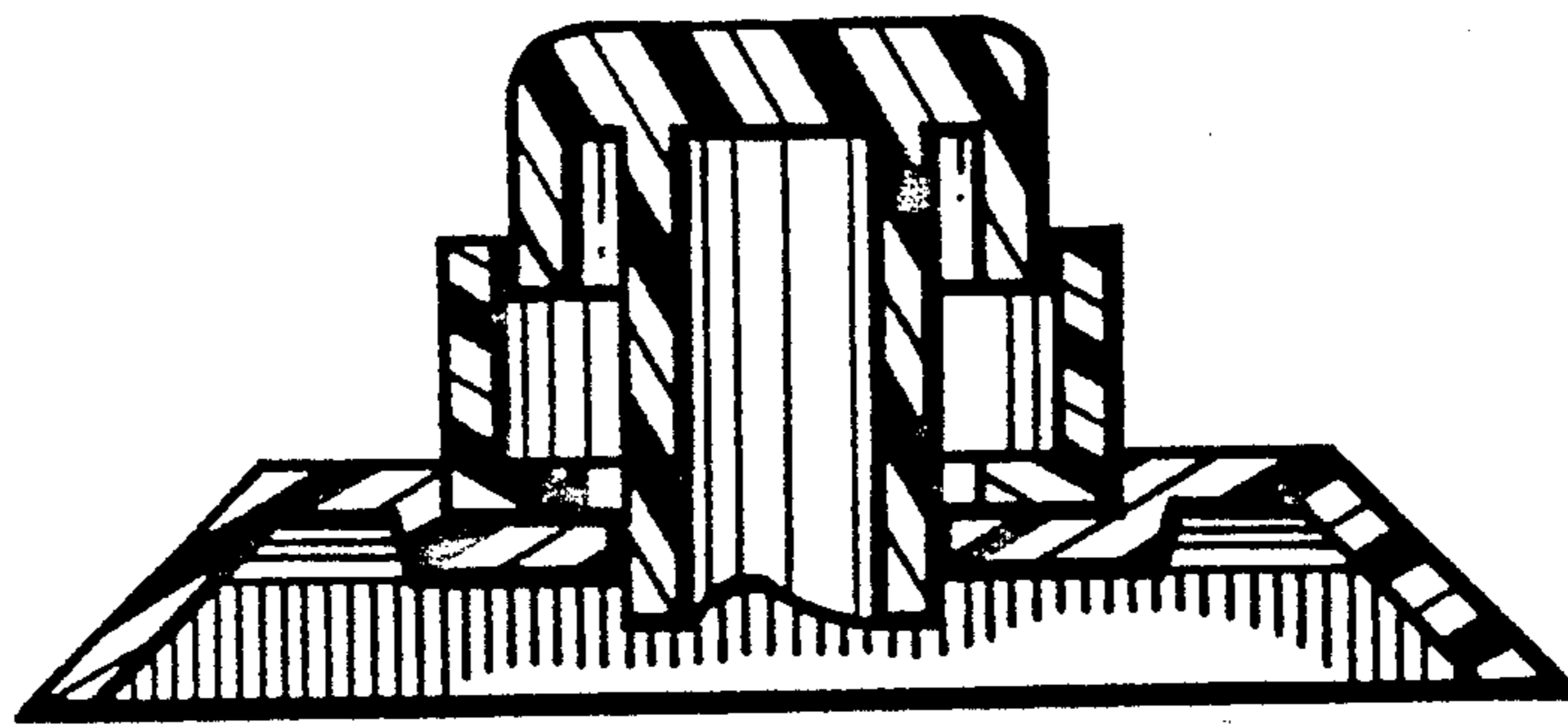


FIG. 5

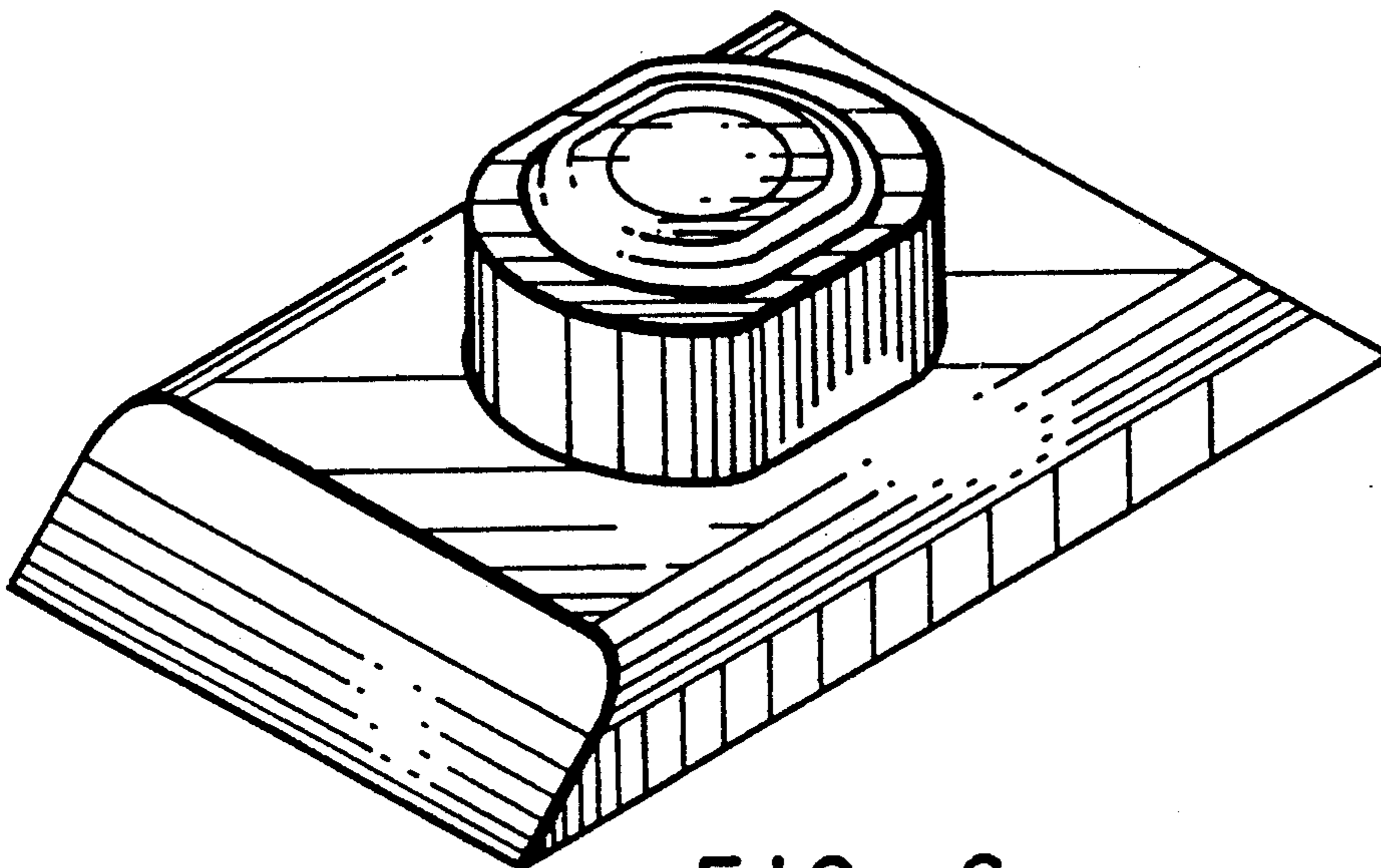


FIG. 6