

[54] DOOR HANDLE UNIT

[75] Inventor: Paul D. Fleming, Glendale, Calif.

[73] Assignee: W&F Manufacturing, Inc., Glendale, Calif.

[**] Term: 14 Years

[21] Appl. No.: 332,099

[22] Filed: Apr. 3, 1989

[52] U.S. Cl. D8/301; D8/308; D8/352

[58] Field of Search D8/300, 301, 307, 308, D8/350, 352; 16/110 R, 111 R; 74/519, 523; 292/347, 357

[56] References Cited

U.S. PATENT DOCUMENTS

D. 61,027	6/1922	Benjamin	D8/352
D. 266,981	11/1982	Scholl	D8/308
D. 267,526	1/1983	Figuered	D8/352
D. 295,829	5/1988	Ortega et al.	.	
D. 297,805	9/1988	Ortega et al.	.	
4,671,089	6/1987	Fleming et al.	.	

OTHER PUBLICATIONS

Schlage Cat. C75H; ©1974; p. 19; Saratoga lever (center).

Primary Examiner—B. J. Bullock
Attorney, Agent, or Firm—Kelly, Bauersfeld & Lowry

[57] CLAIM

The ornamental design for a door handle unit, as shown and described.

DESCRIPTION

FIG. 1 is a left side elevational view of a door handle unit embodying the new design, the outline depiction of a door being for illustrative purposes only; FIG. 2 is an inside front elevational view thereof; FIG. 3 is a right side elevational view thereof, the outline depiction of a door being for illustrative purposes only; FIG. 4 is an outside front elevational view thereof; FIG. 5 is a top plan view thereof, the outline depiction of a door for illustrative purposes only; FIG. 6 is a bottom plan view thereof, the outline depiction of a door being for illustrative purposes only; FIG. 7 is an inside rear elevational view thereof taken generally on the line 7—7 of FIG. 1, the outside rear elevational view being a mirror image thereof; and FIG. 8 is an enlarged sectional view taken in the direction of the arrows on line 8—8 of FIG. 1.

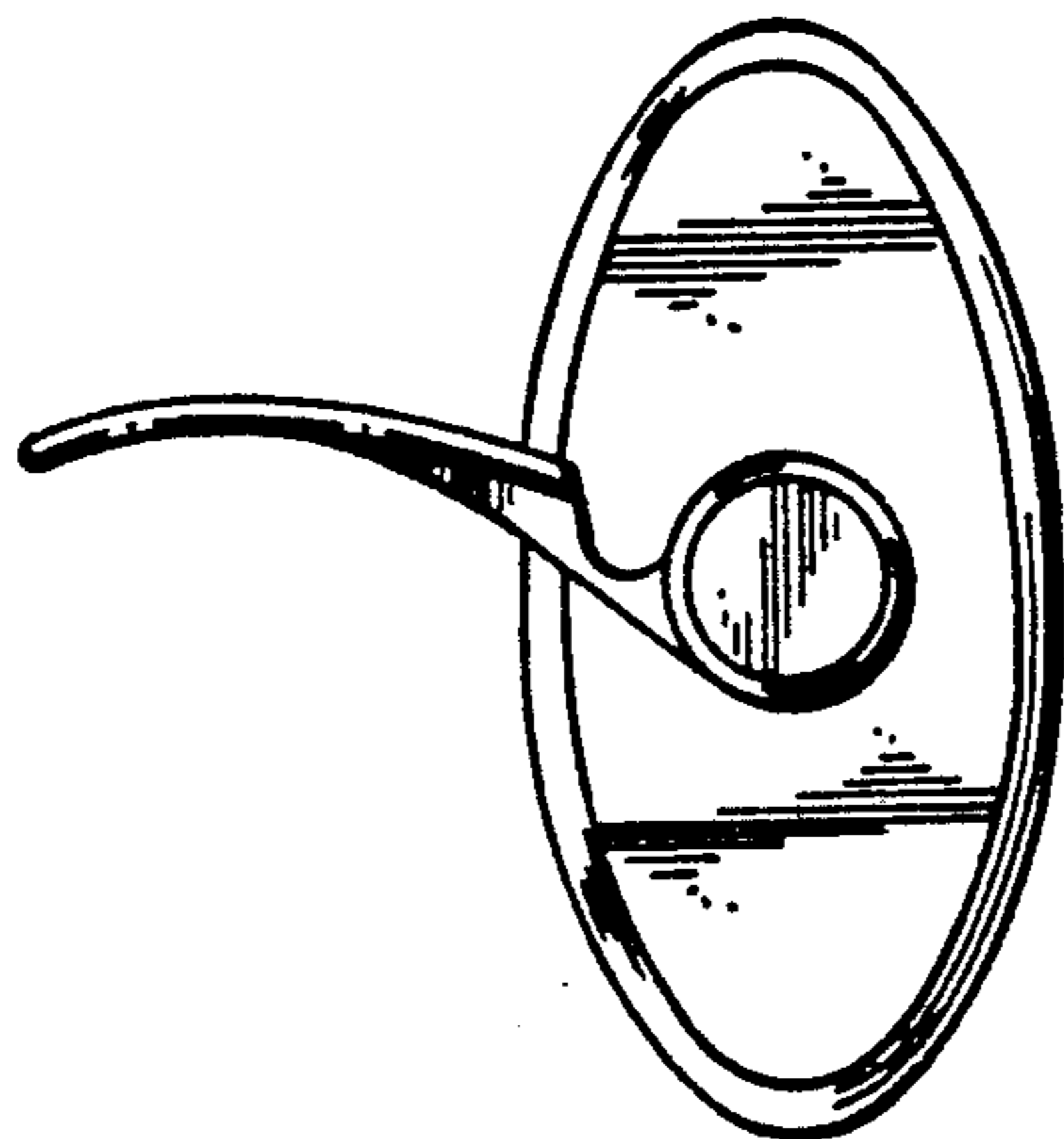
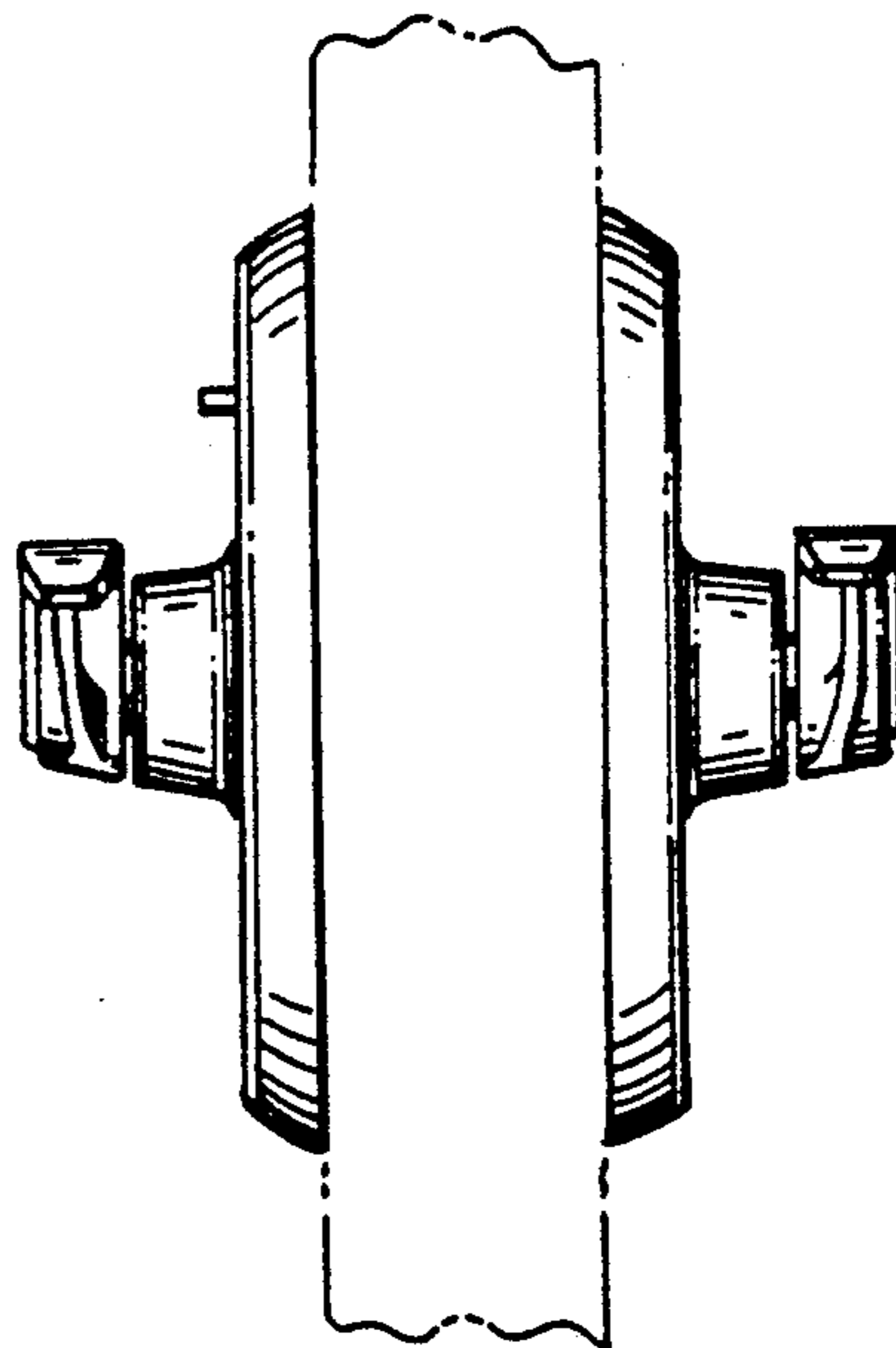
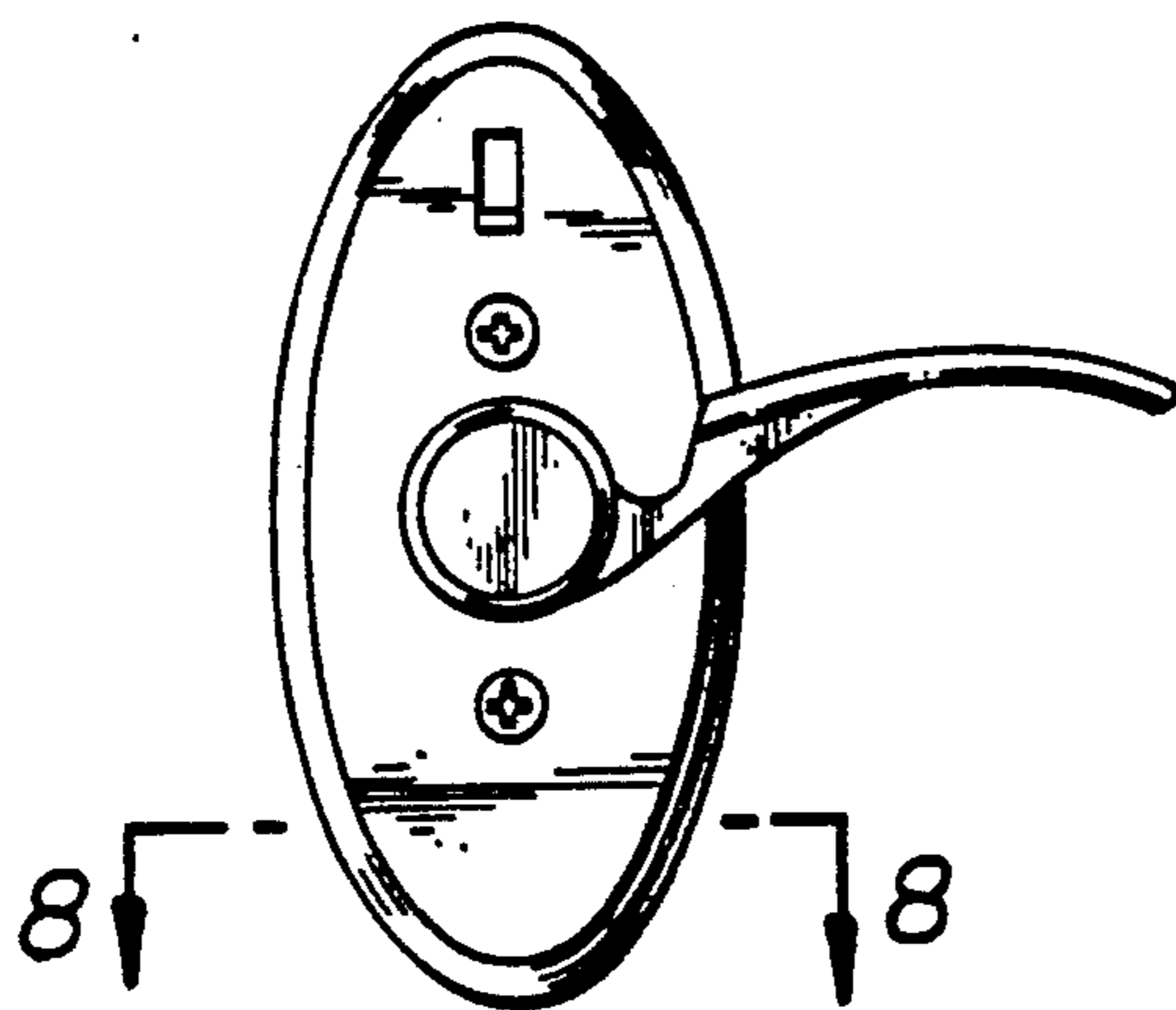


FIG. 1

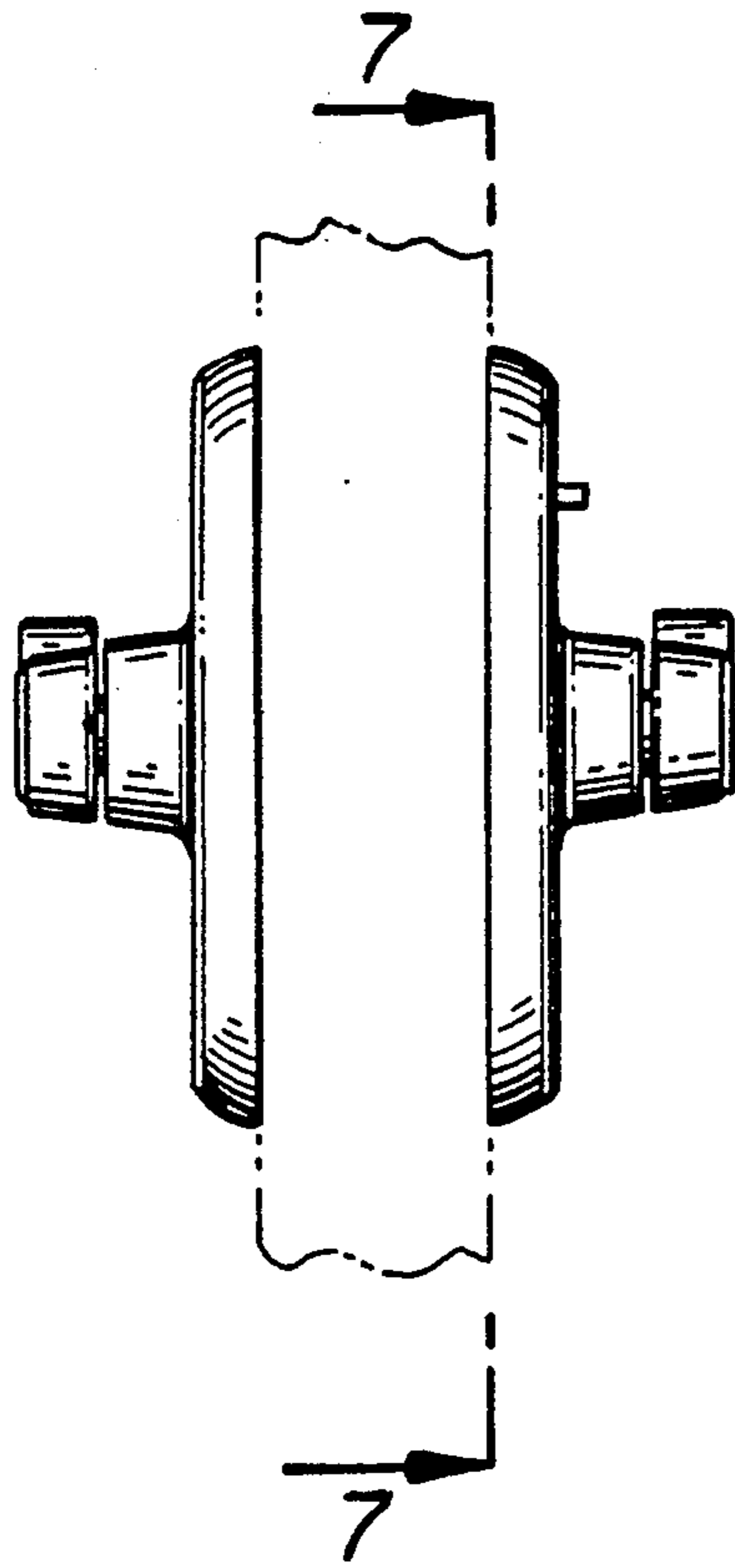


FIG. 2

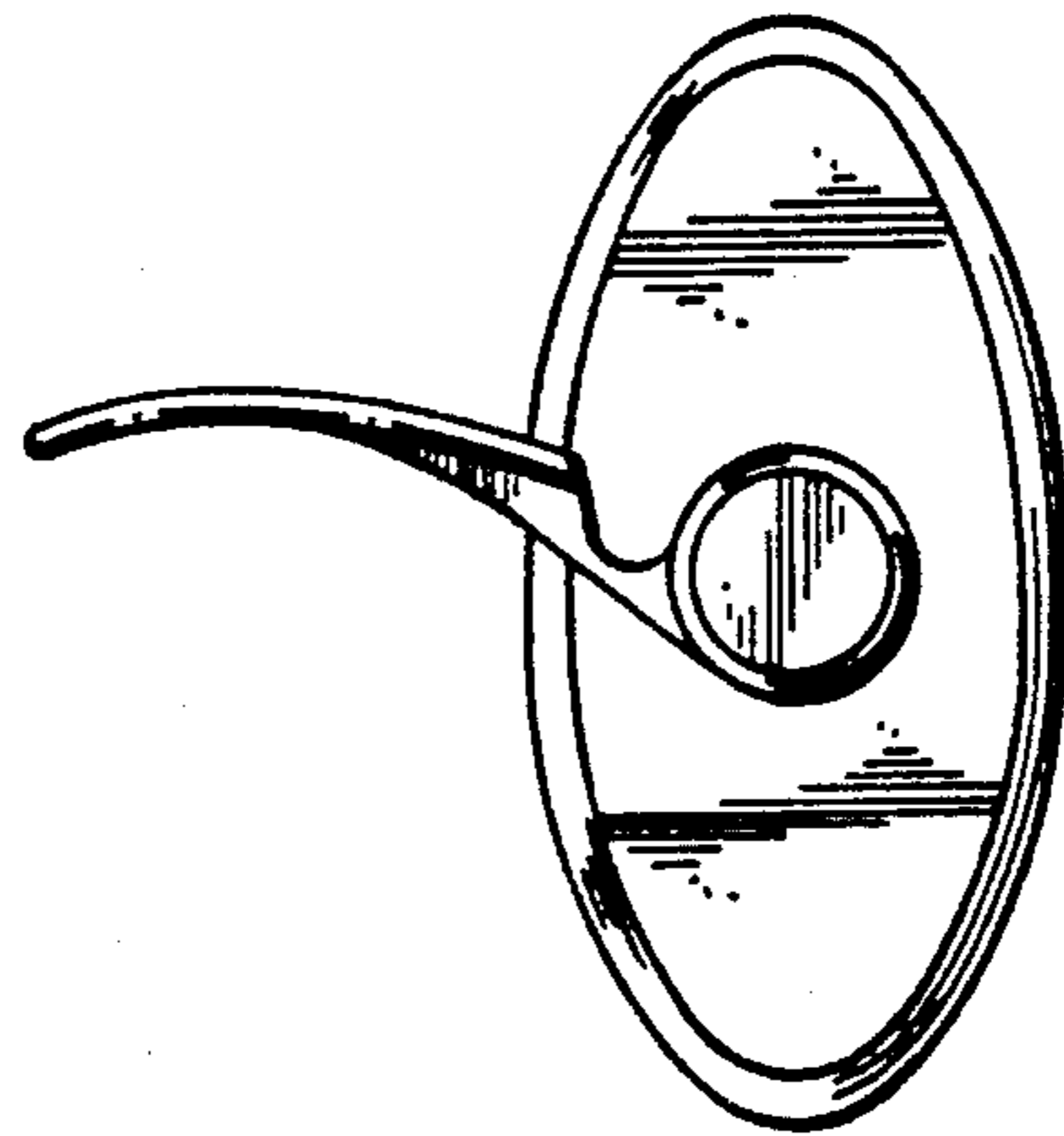
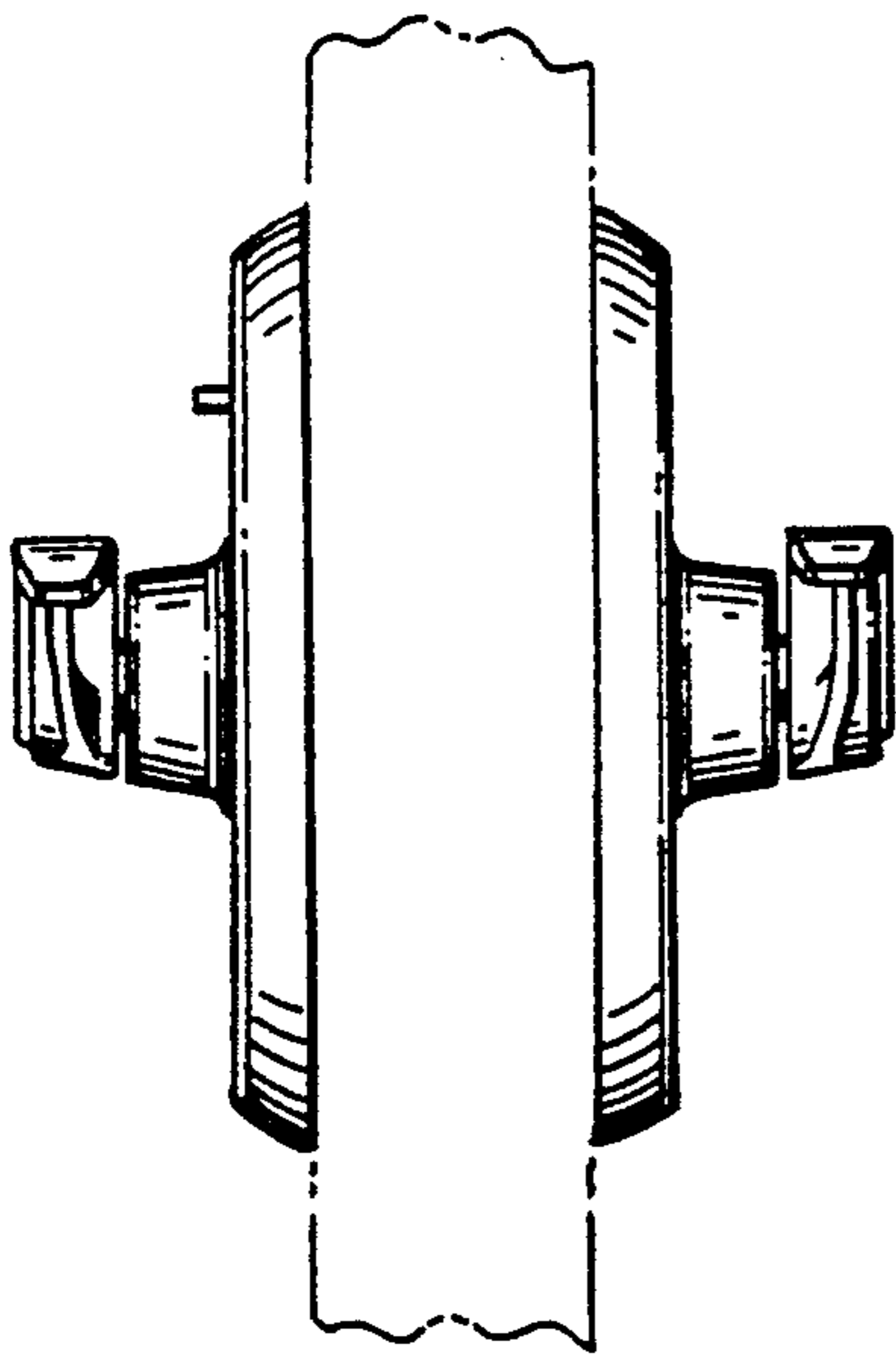
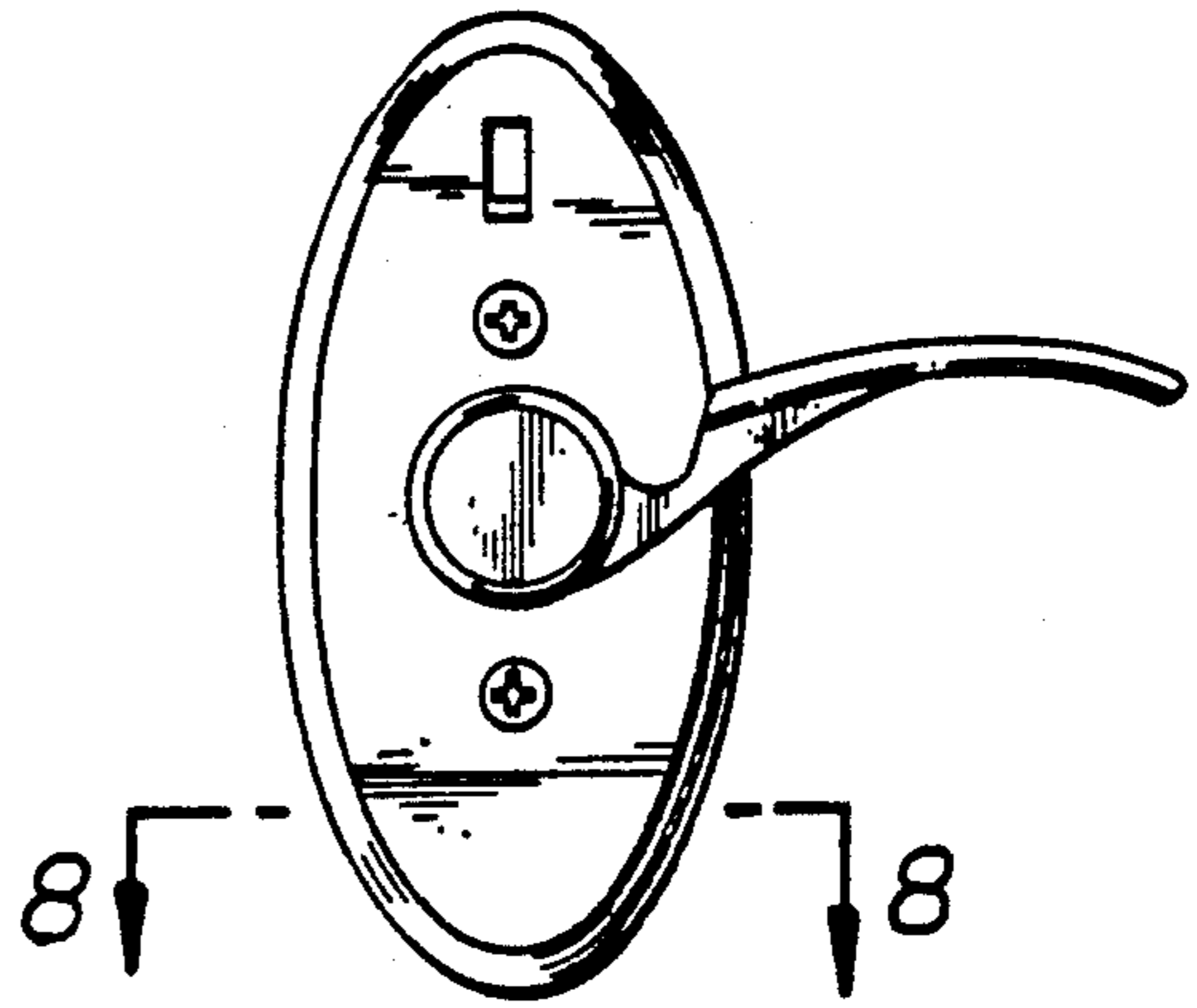


FIG. 3

FIG. 4

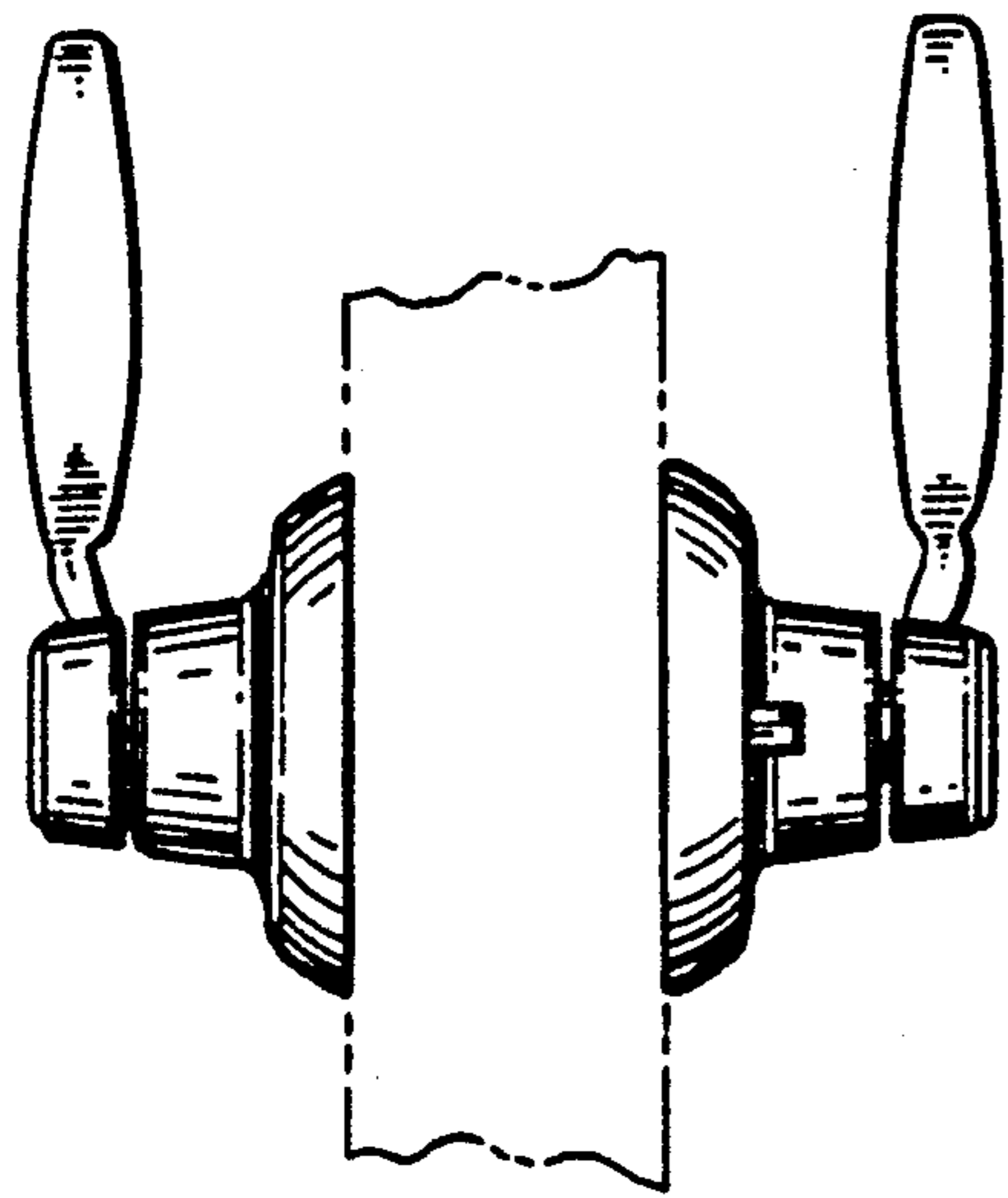


FIG. 5

FIG. 7

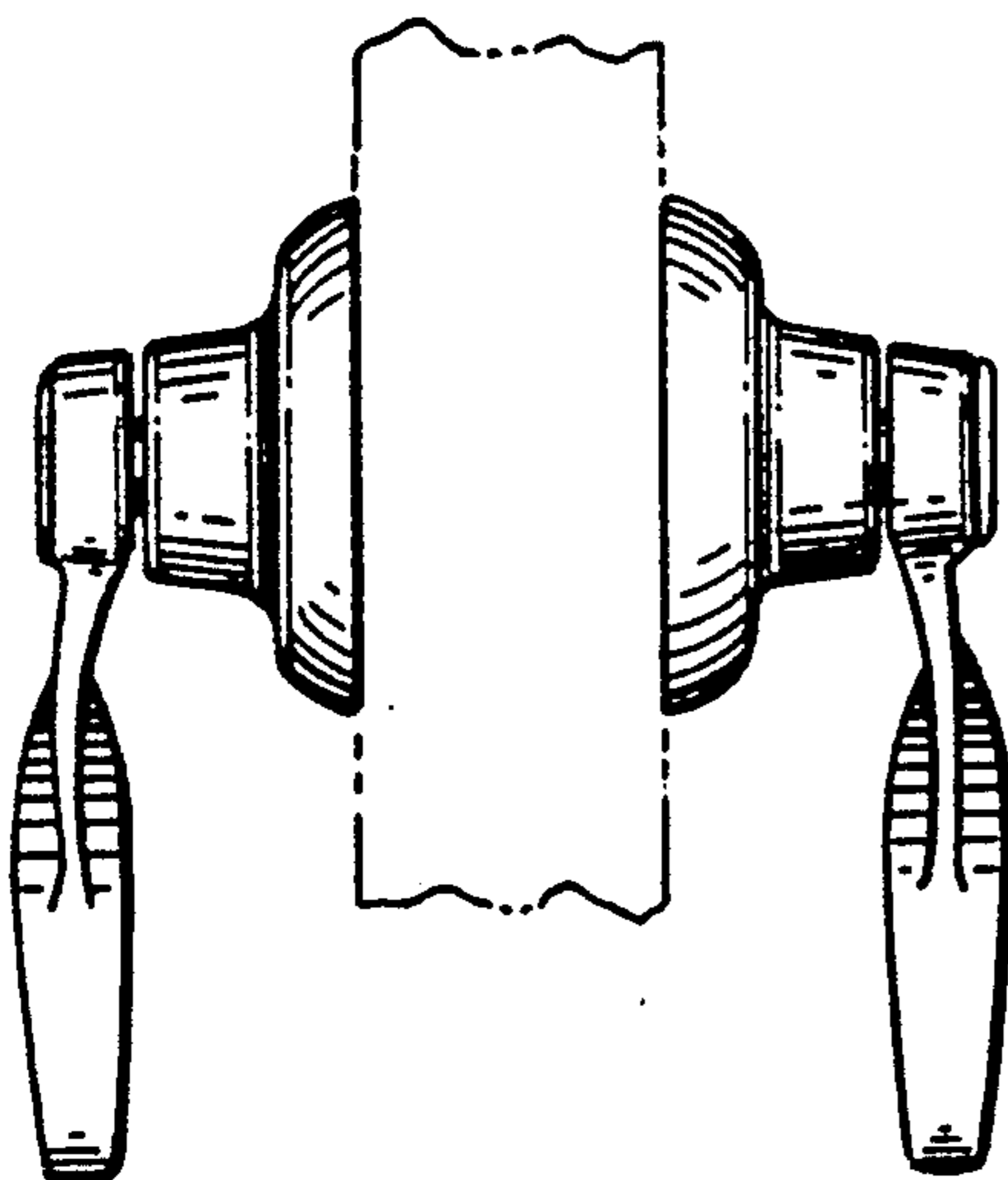
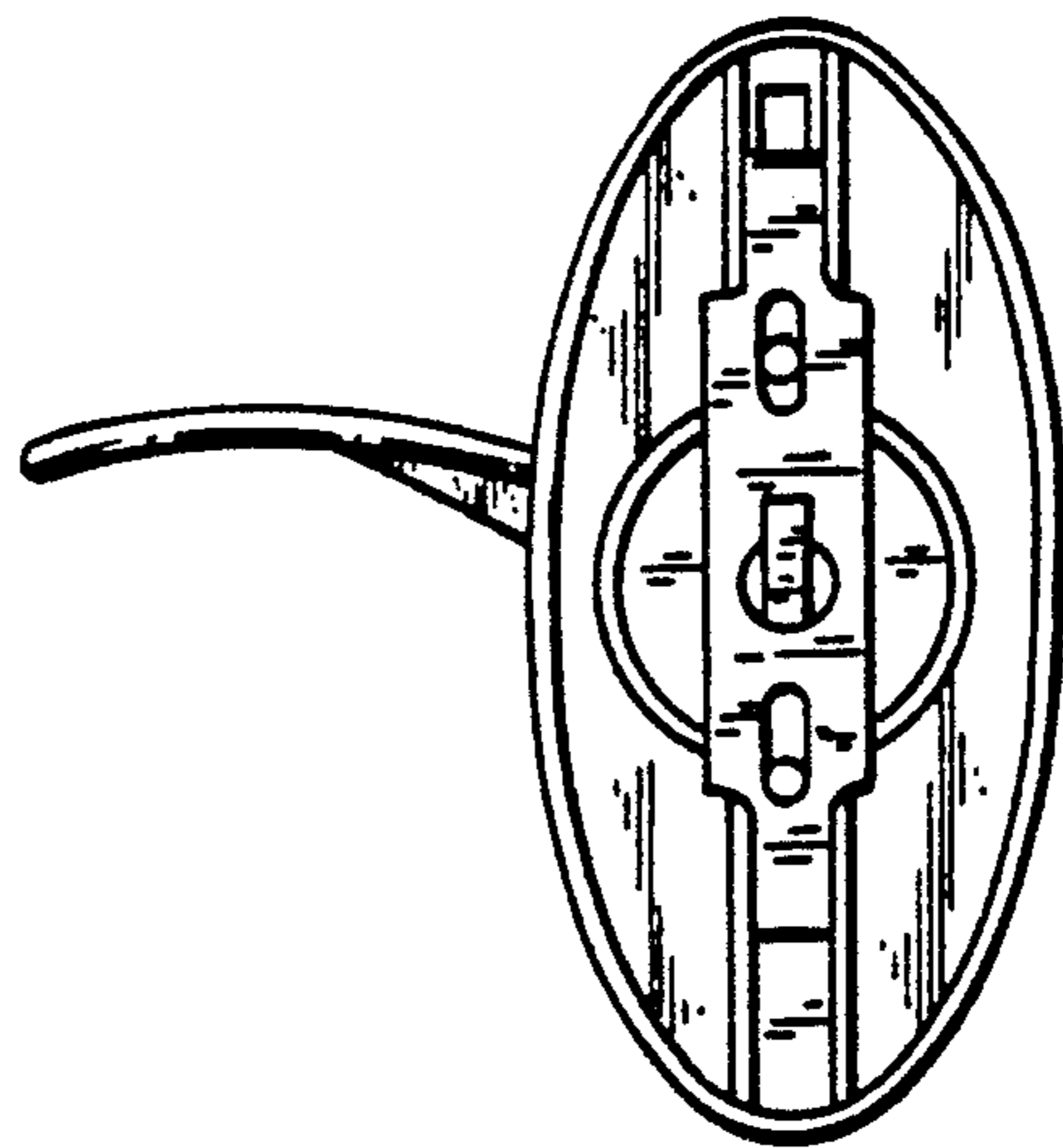


FIG. 6

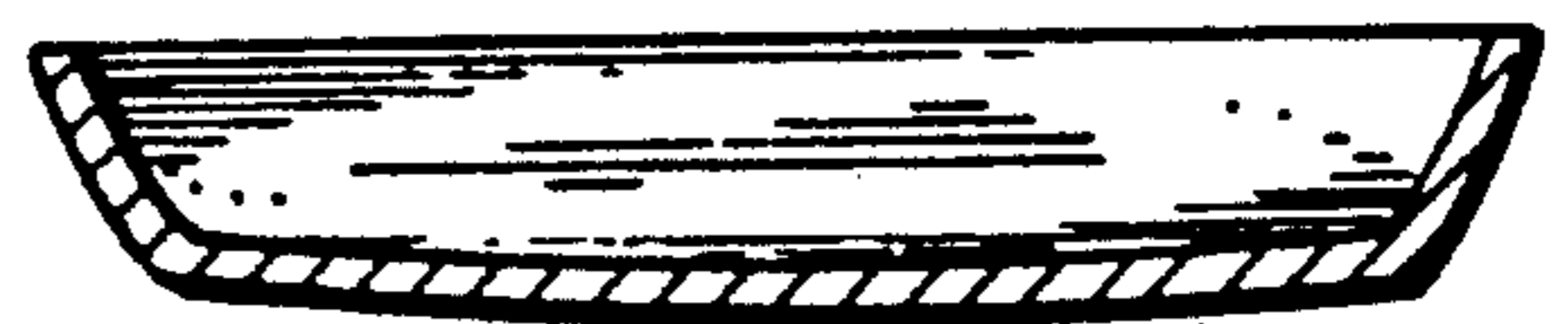


FIG. 8