

[54] DOOR HANDLE UNIT

[75] Inventors: Paul D. Fleming, Glendale; Nandor Gajer, Woodland Hills, both of Calif.

[73] Assignee: W & F Manufacturing, Inc., Glendale, Calif.

[**] Term: 14 Years

[21] Appl. No.: 332,098

[22] Filed: Apr. 3, 1989

[52] U.S. Cl. D8/301; D8/308; D8/350

[58] Field of Search D8/300, 301, 302, 307, D8/308, 350, 353; 74/519, 523; 70/422, 452; 16/110 R, 111 R; 292/347, 357

[56] References Cited

U.S. PATENT DOCUMENTS

- D. 266,981 11/1982 Scholl D8/308
- D. 295,829 5/1988 Ortega et al. .
- D. 297,805 9/1988 Ortega et al. .
- D. 312,565 12/1990 Abraham et al. D8/307
- 4,671,089 6/1987 Fleming et al. .

OTHER PUBLICATIONS

Schlage Cat. C75H; ©1974; p. 15; Sentinel lever (lower center).

Primary Examiner—B. J. Bullock

Attorney, Agent, or Firm—Kelly Bauersfield & Lowry

[57] CLAIM

The ornamental design for a door handle unit, as shown and described.

DESCRIPTION

FIG. 1 is a left side elevational view of a door handle unit embodying the new design, the dotted line depiction of a door being for illustrative purposes only; FIG. 2 is an inside front elevational view thereof; FIG. 3 is a right side elevational view thereof, the outline depiction of a door being for illustrative purposes only; FIG. 4 is an outside front elevational view thereof; FIG. 5 is a top plan view thereof, the outline depiction of a door for illustrative purposes only; FIG. 6 is a bottom plan view thereof, the outline depiction of a door being for illustrative purposes only; FIG. 7 is an inside rear elevational view taken generally on the line 7—7 of FIG. 1, the outside rear elevational view being a mirror image thereof; and FIG. 8 is an enlarged sectional view taken in the direction of the arrows on line 8—8 of FIG. 1.

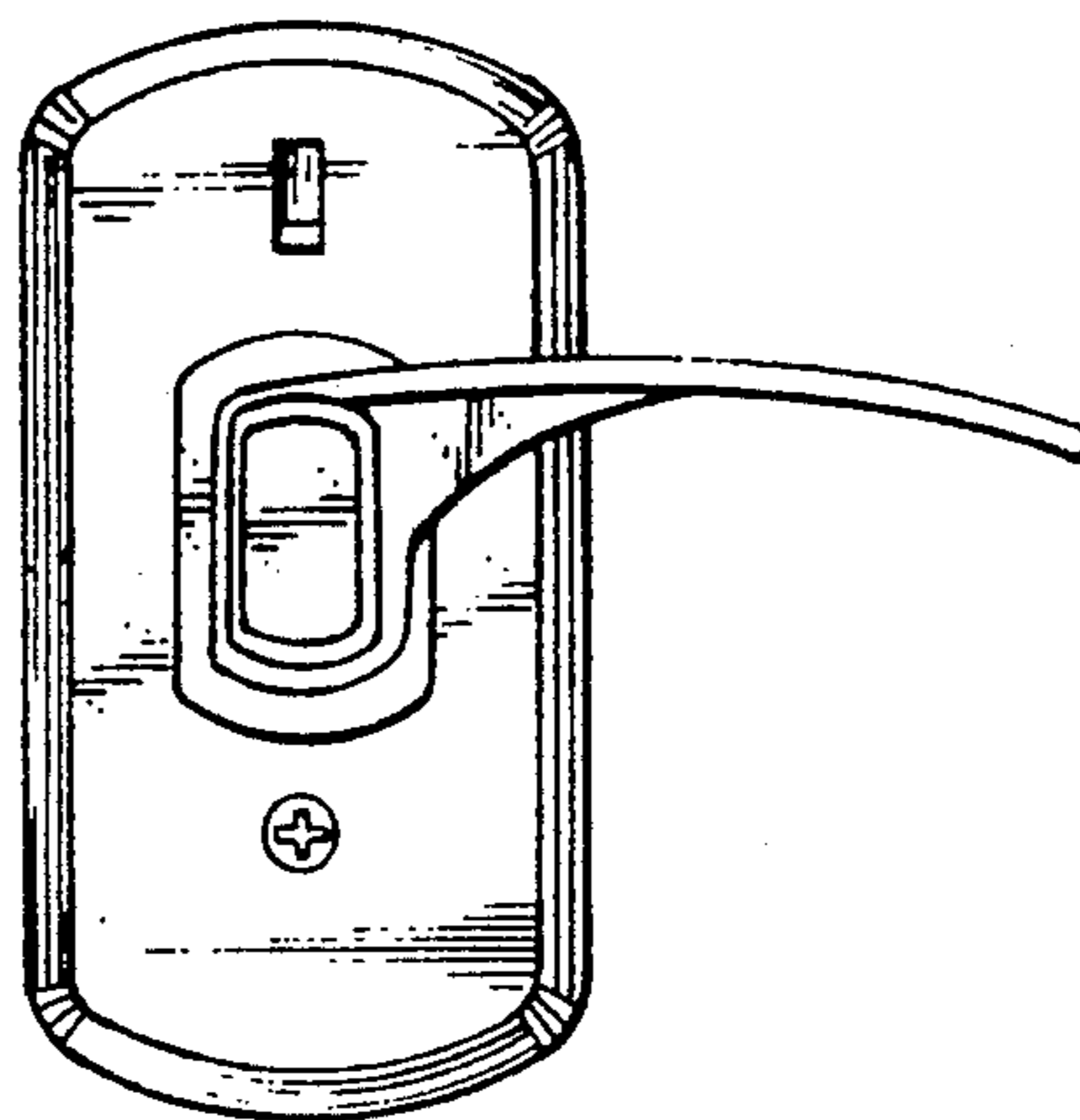
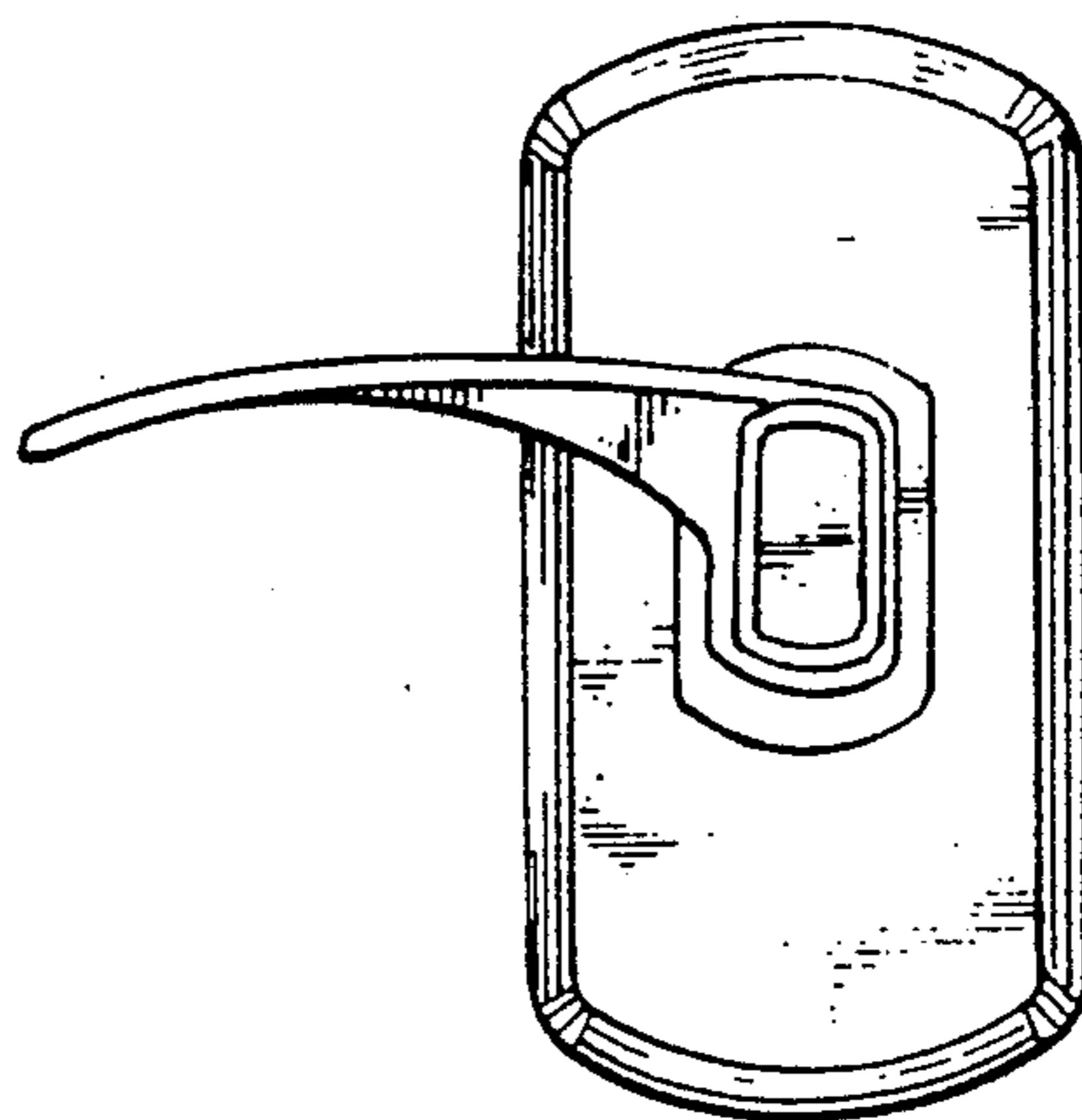
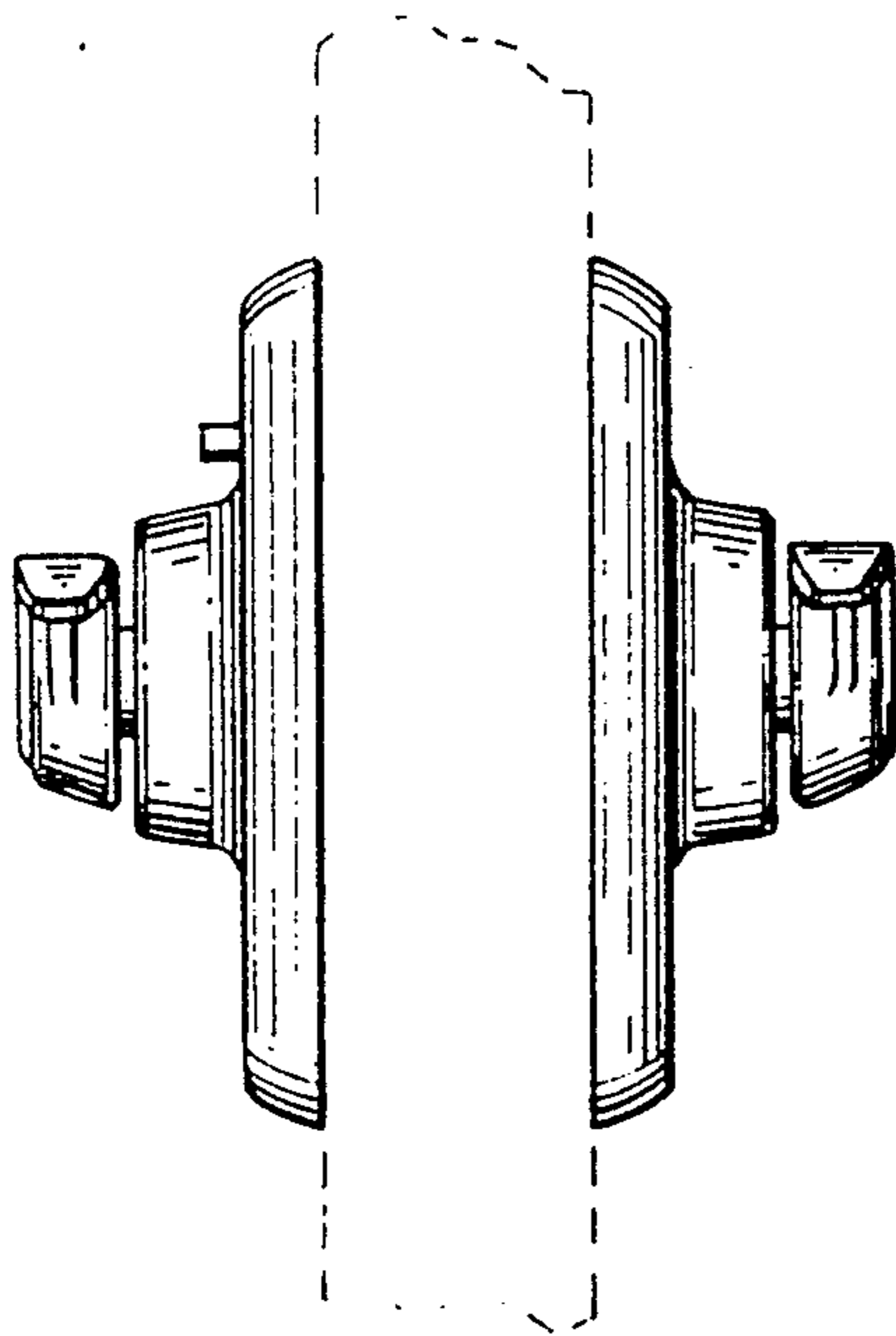


FIG. 1

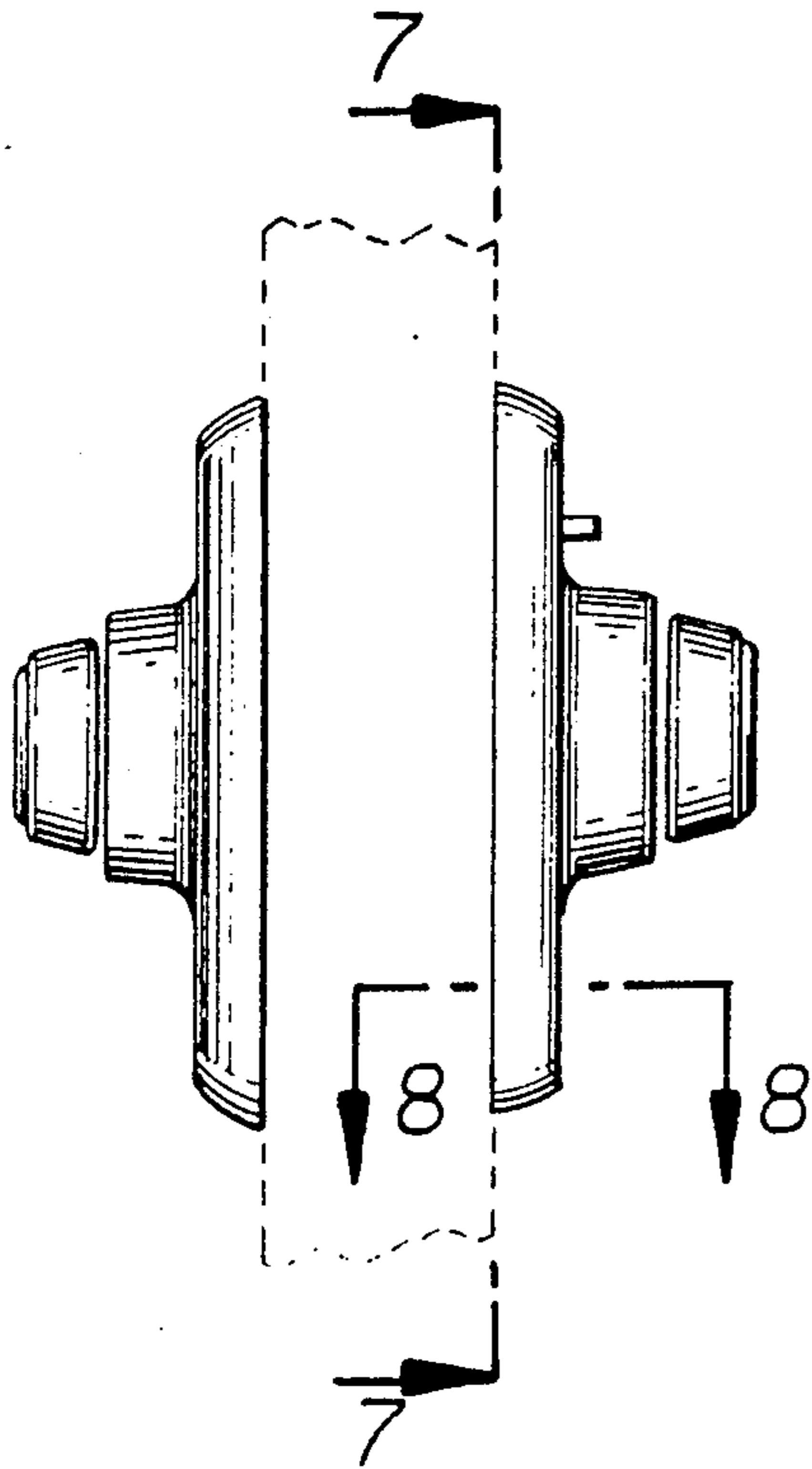


FIG. 2

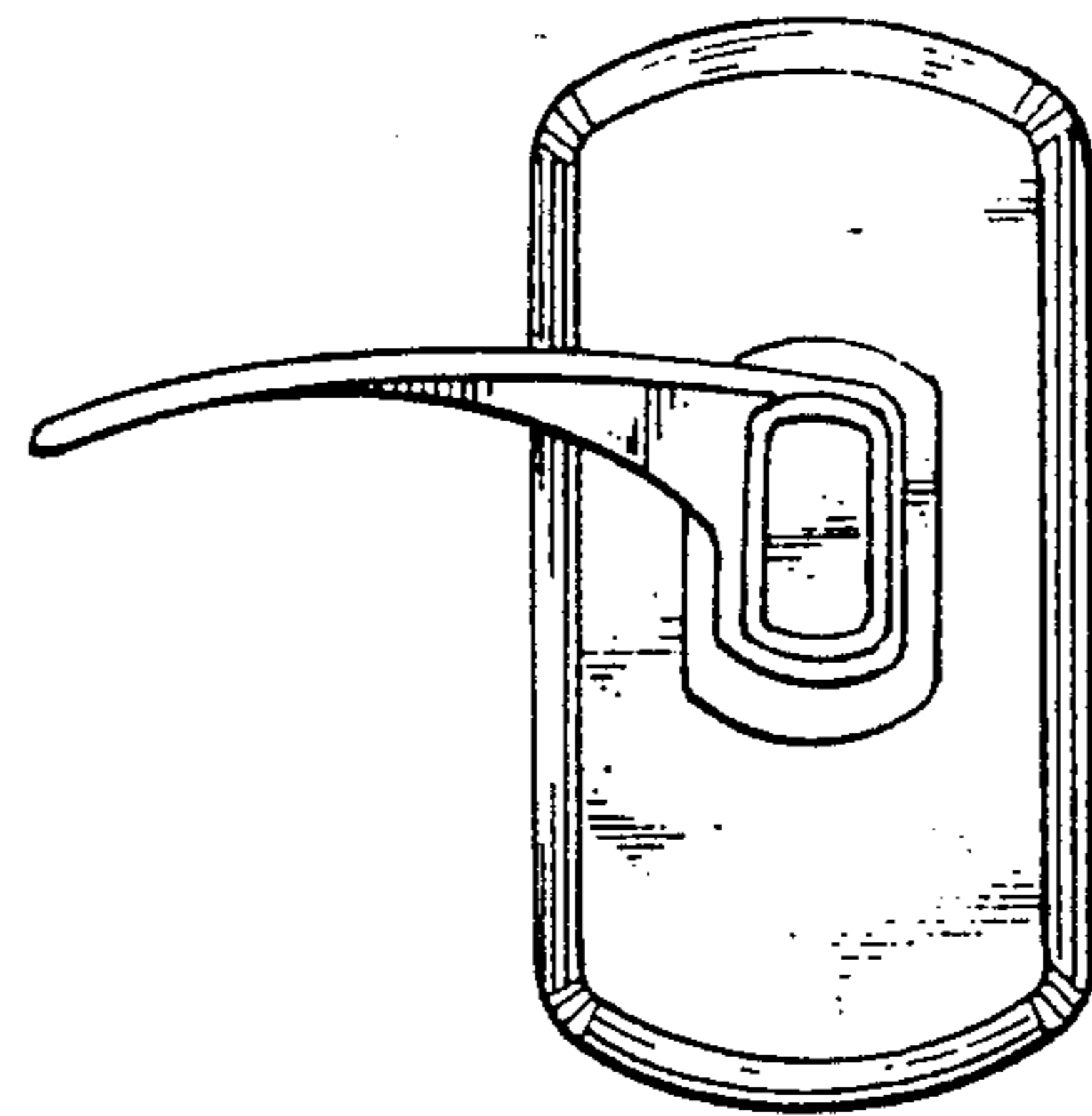
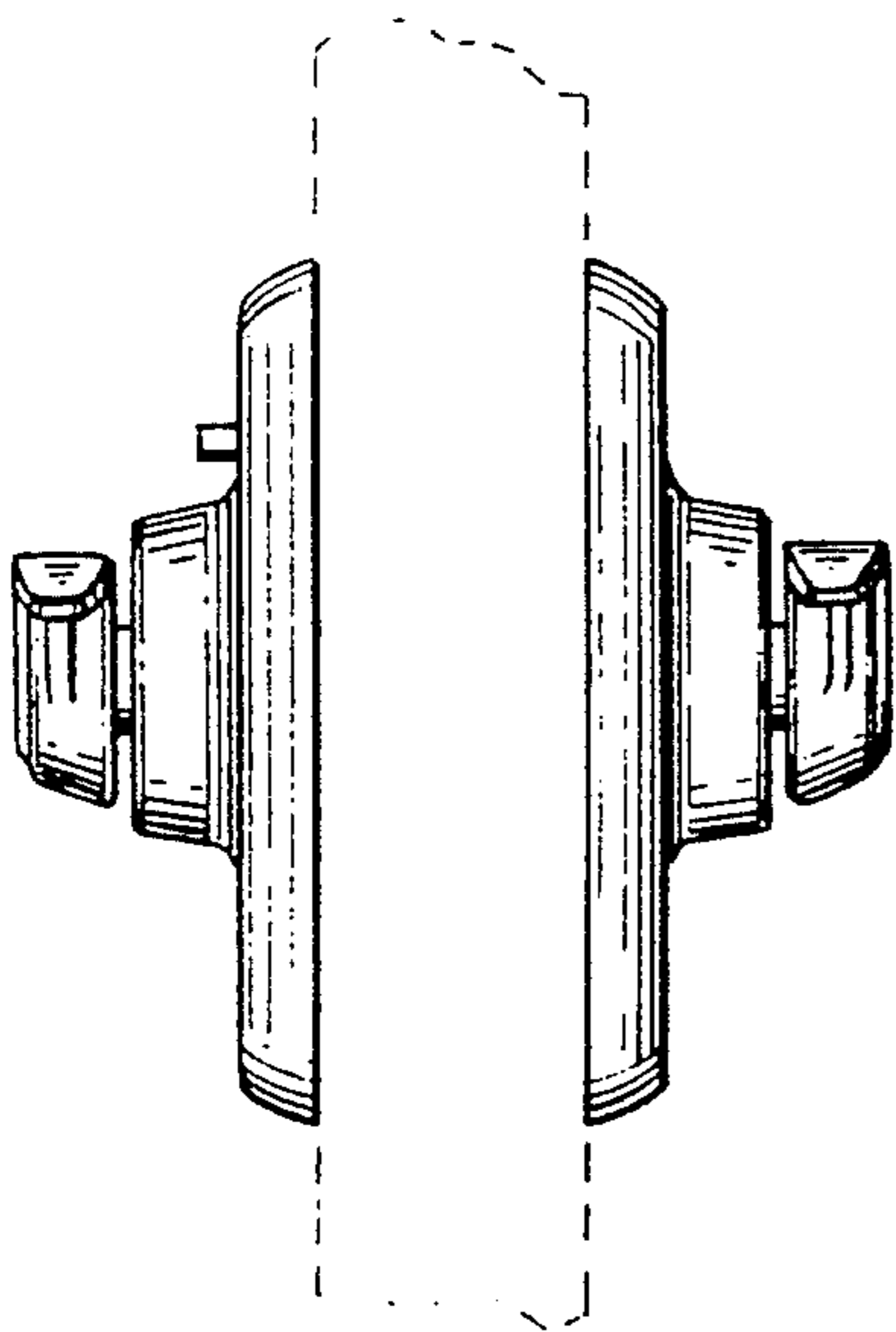
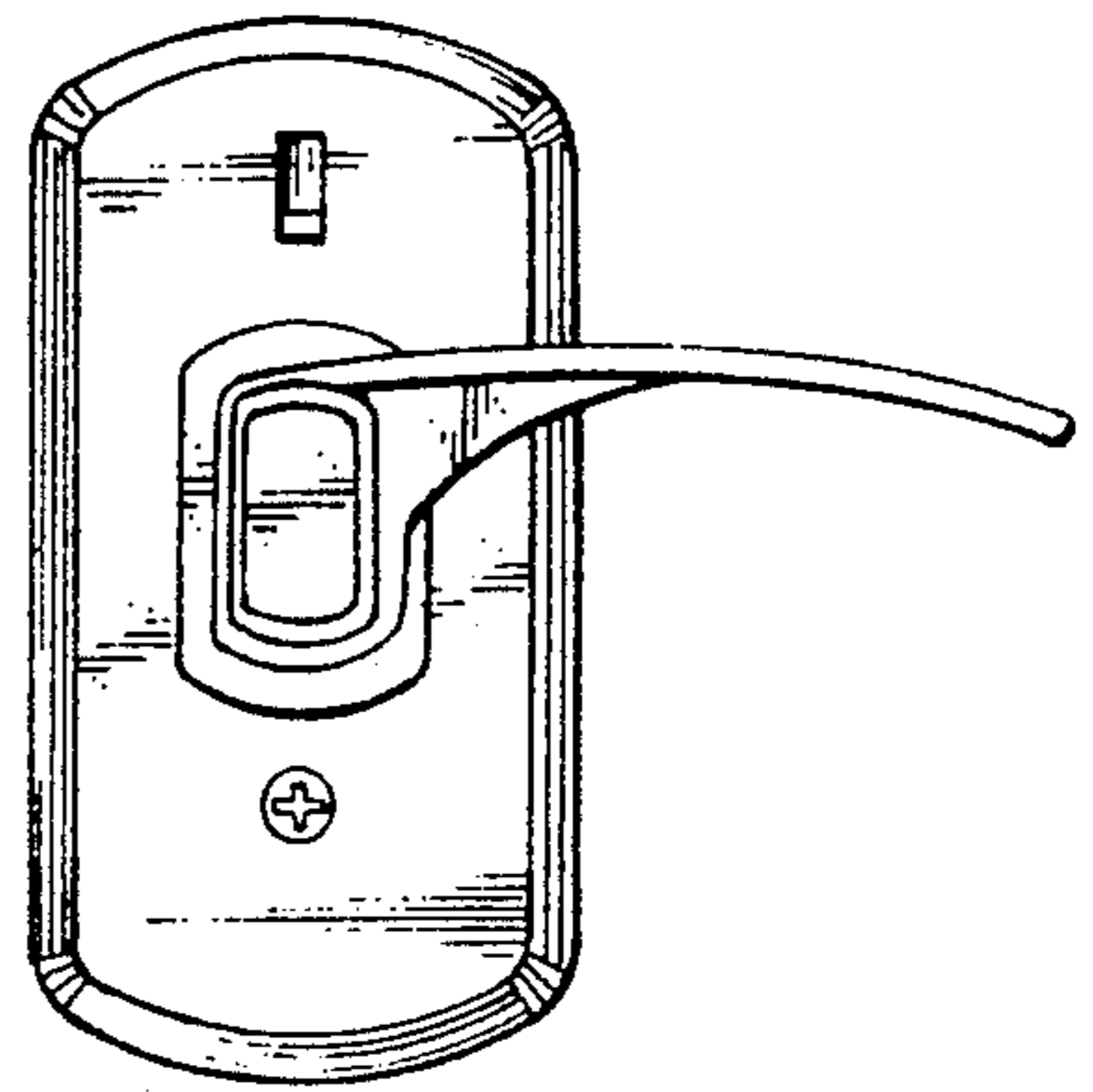


FIG. 3

FIG. 4

FIG. 5

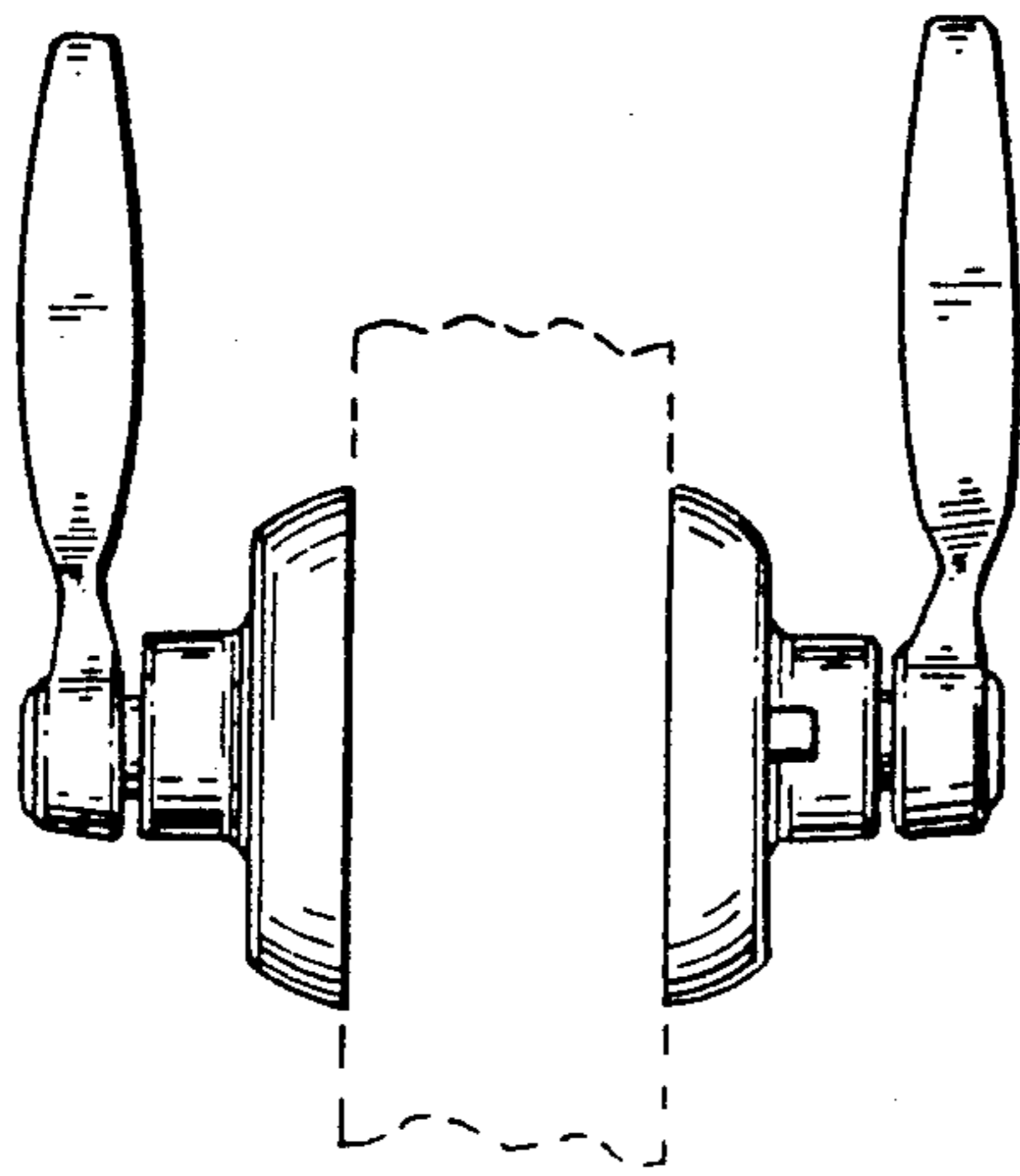


FIG. 7

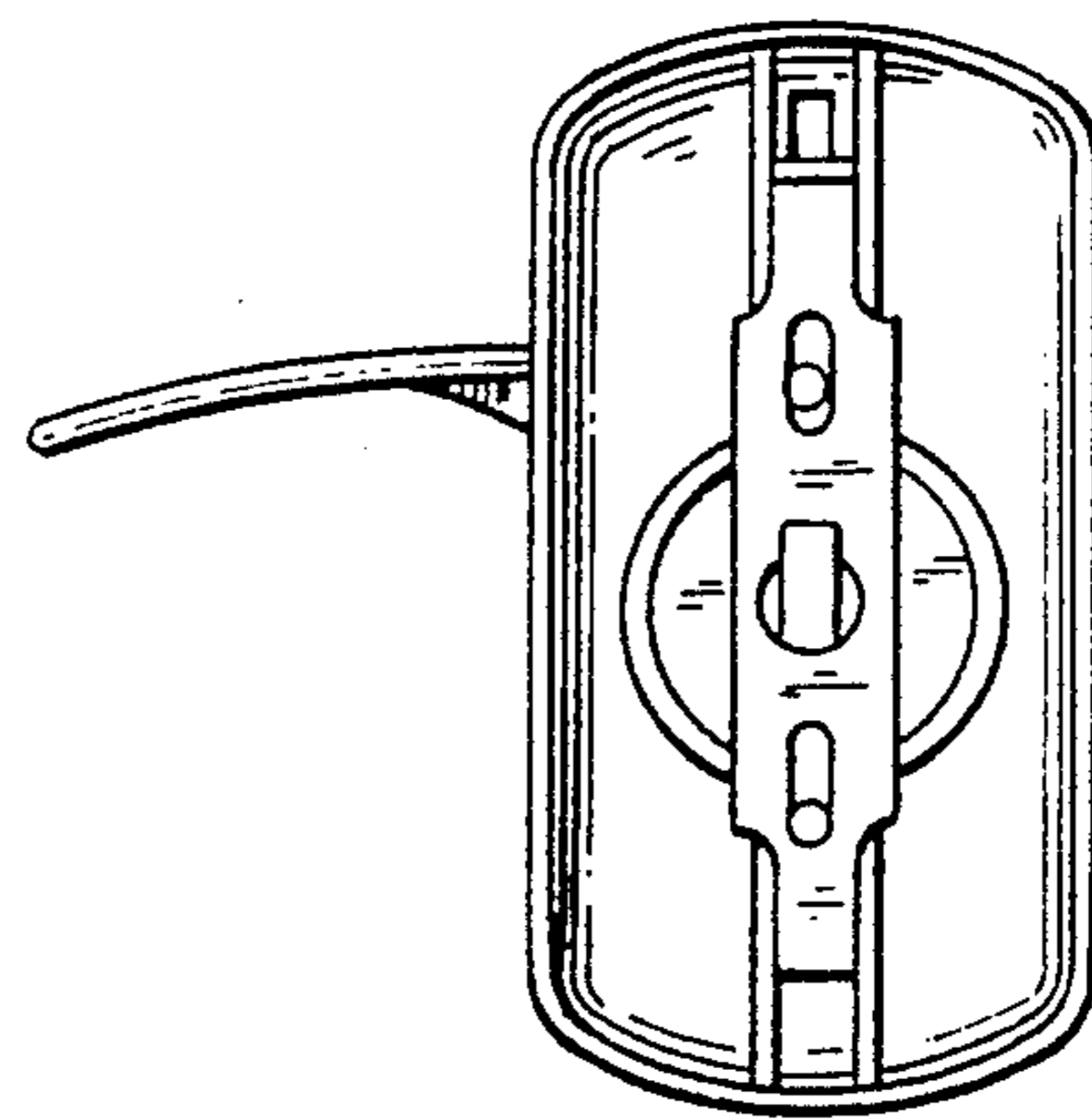


FIG. 6

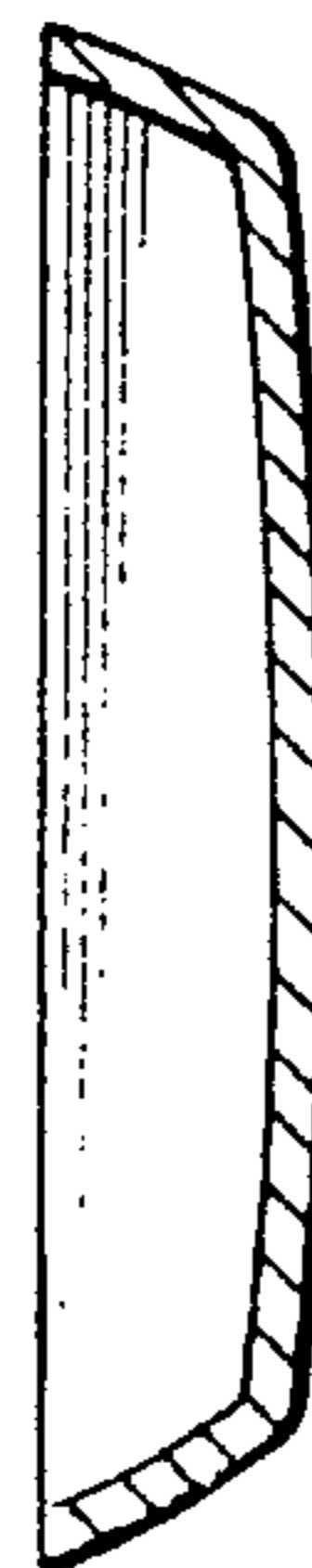
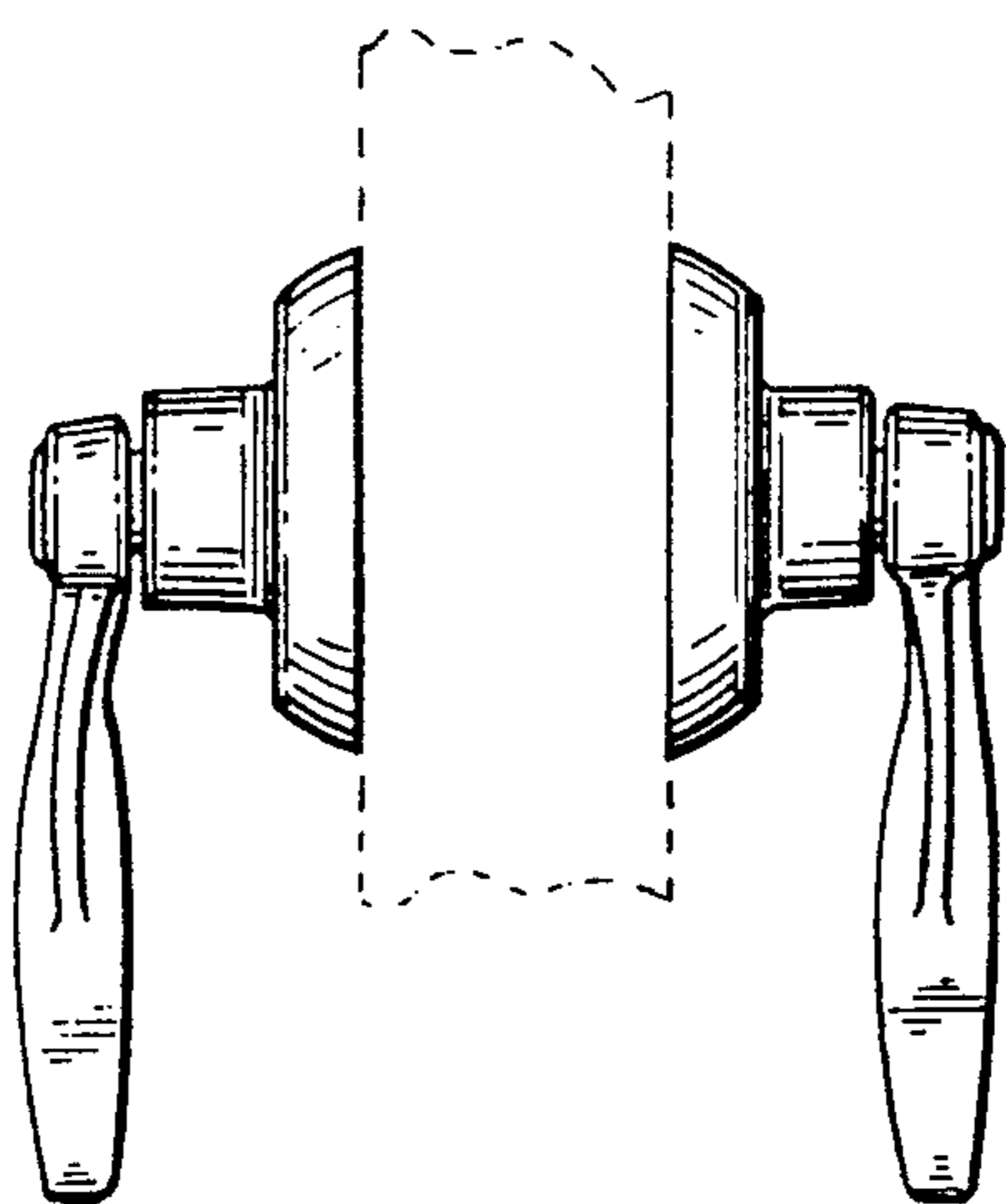


FIG. 8