

[54] **TOOL FOR USE IN INSTALLING AND REMOVING CASTERS**

[75] **Inventor: James D'Onofrio, Parma, Ohio**

[73] **Assignee: Master Manufacturing Company, Cleveland, Ohio**

[\*\*] **Term: 14 Years**

[21] **Appl. No.: 160,094**

[22] **Filed: Feb. 25, 1988**

[52] **U.S. Cl. .... D8/89**

[58] **Field of Search ..... D3/16; D8/14, 89; 30/253; 206/5, 279; 248/205.5, 206.4, 316.7**

[56] **References Cited**

**U.S. PATENT DOCUMENTS**

D. 103,141	2/1937	White .....	D8/89 X
D. 105,369	7/1937	Babcock .....	D8/89 X
D. 120,609	5/1940	Arnsbarger .....	D8/89 X
D. 164,705	10/1951	Moses .....	D8/89 X
D. 187,745	4/1960	Bird .....	D3/16 X
D. 282,344	1/1986	Wilcox .....	D8/14 X
D. 282,712	2/1986	Rademacher .....	D8/14
D. 309,703	8/1990	Walker .....	D8/89
292,168	1/1884	Lytle .	
363,331	5/1887	Hammer .	
402,327	4/1889	Huehn .	
637,253	11/1899	Harris .	

935,459	9/1909	Carr .	
1,267,265	5/1918	Pignani .	
1,308,694	7/1919	Boswell .	
1,689,585	10/1928	Haschart .	
2,839,822	6/1958	Dillingham et al. .	
4,536,958	8/1985	Tosi .....	D8/14 X

**OTHER PUBLICATIONS**

McMaster-Carr Catalog, No. 93, pp. 1825 & 1848.

*Primary Examiner*—Bruce W. Dunkins

*Assistant Examiner*—M. Hannon

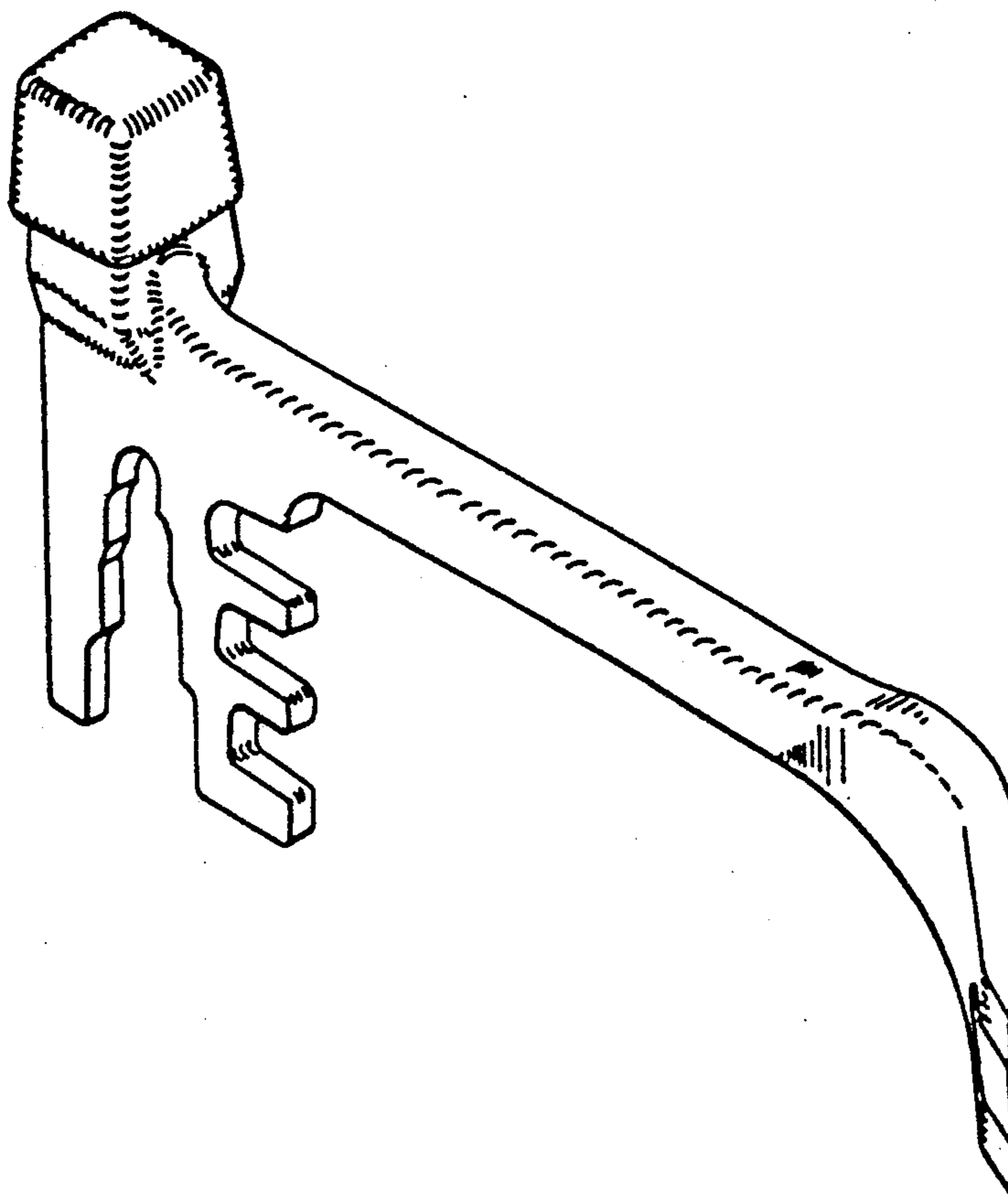
*Attorney, Agent, or Firm*—Renner, Otto, Boisselle & Sklar

[57] **CLAIM**

The ornamental design for a tool for use in installing and removing casters, as shown and described.

**DESCRIPTION**

FIG. 1 is a perspective view of a tool for use in installing and removing casters showing my new design; FIG. 2 is a perspective view showing the cap in an exploded view thereof; FIG. 3 is a front elevational view thereof; FIG. 4 is a top plan view thereof; FIG. 5 is a right side elevational view thereof; FIG. 6 is a left side elevational view thereof; FIG. 7 is a rear view thereof; and FIG. 8 is a bottom plan view thereof.



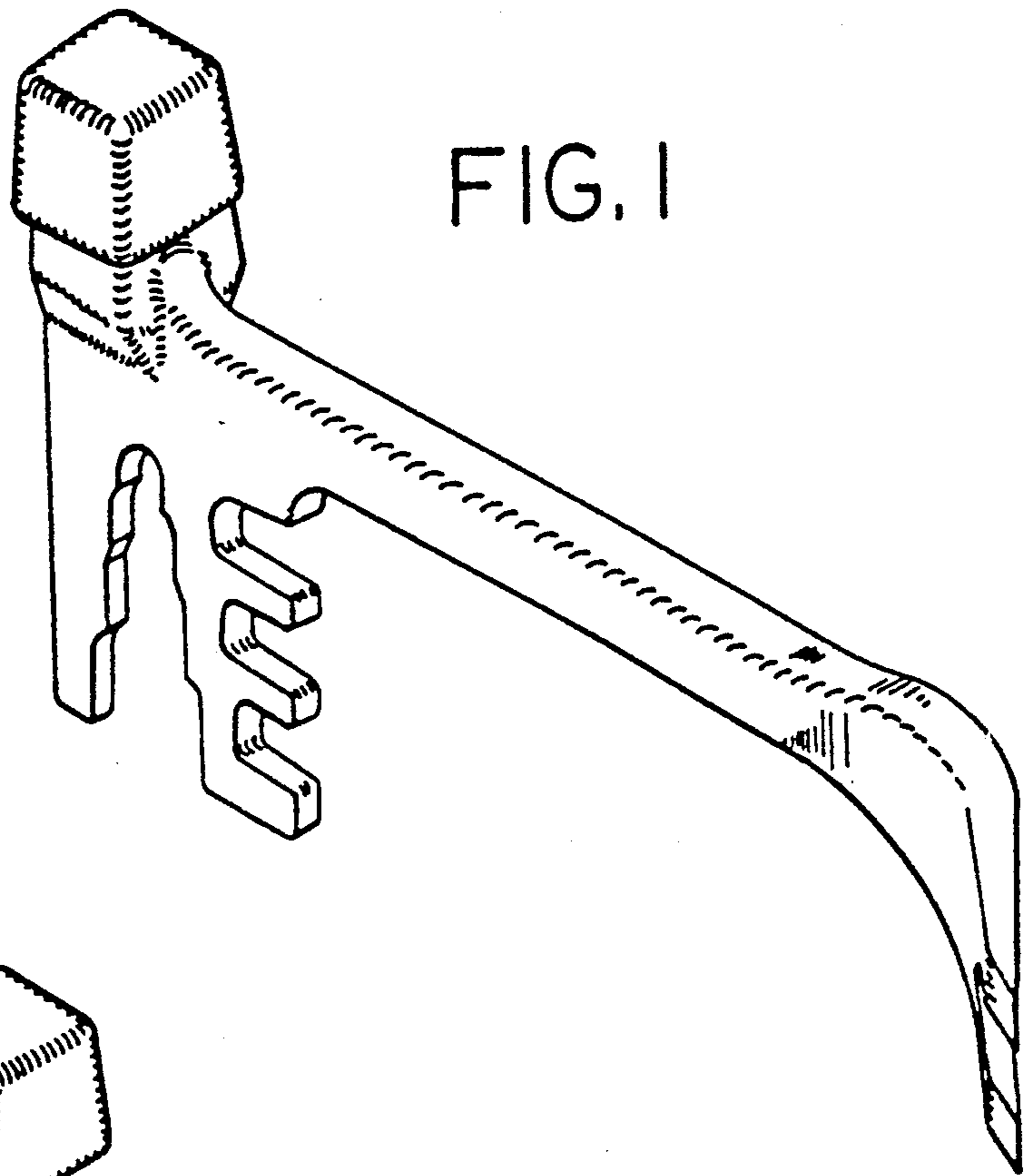


FIG. 1

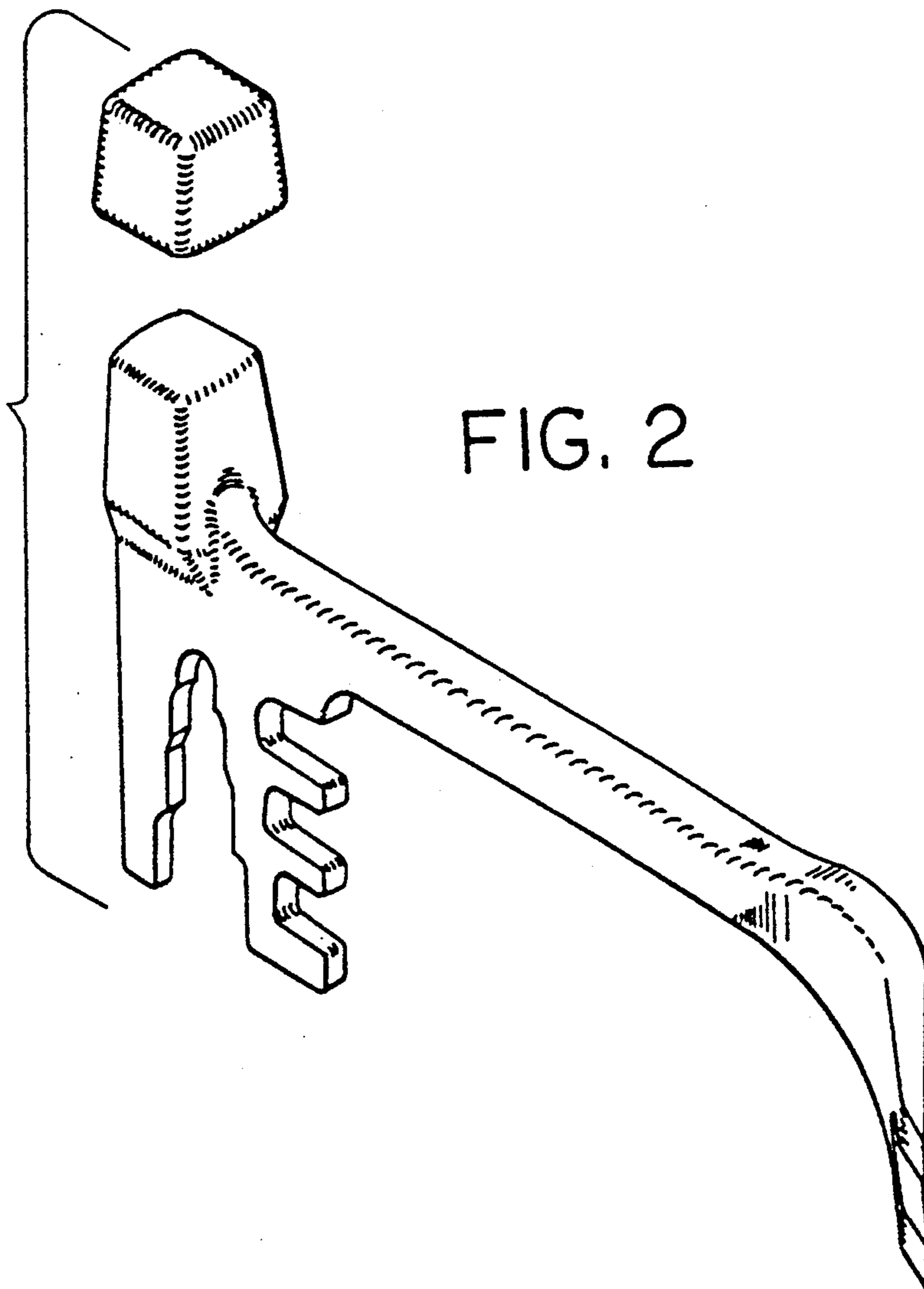


FIG. 2

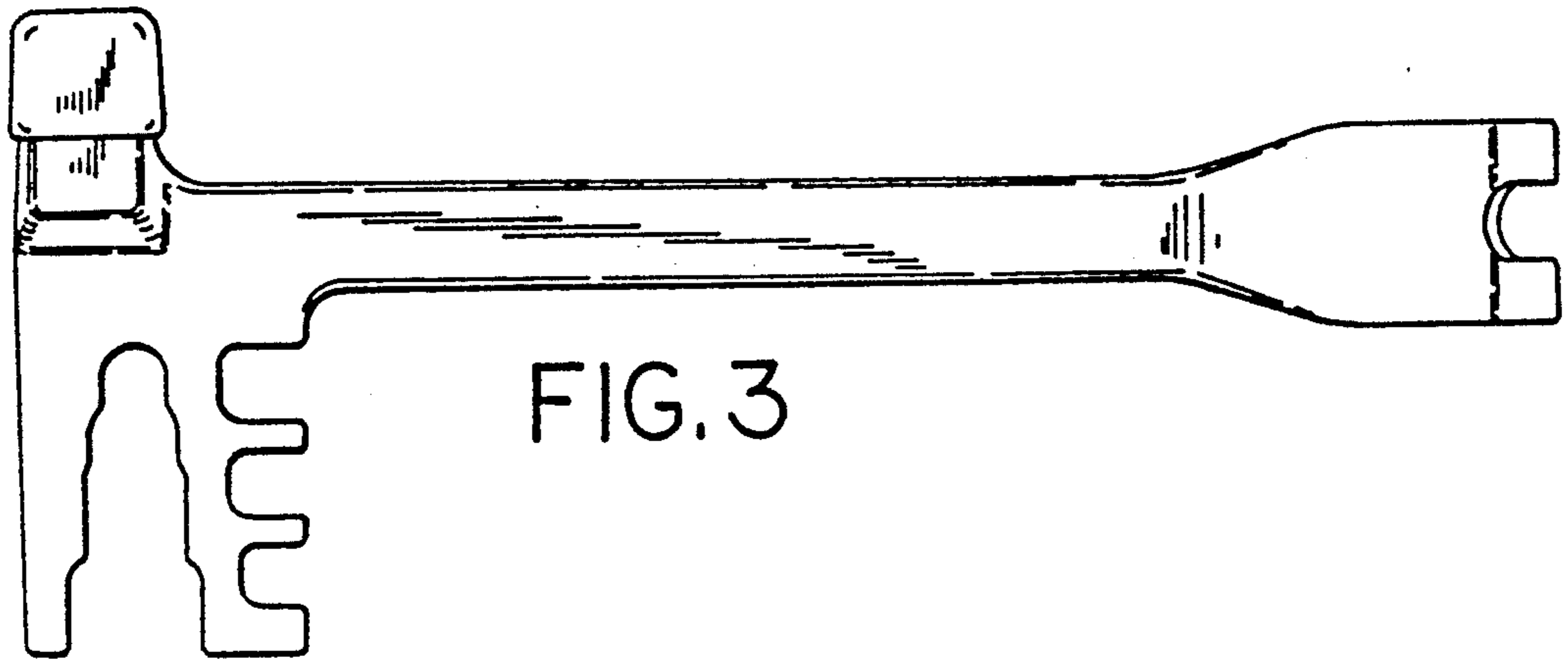


FIG. 3

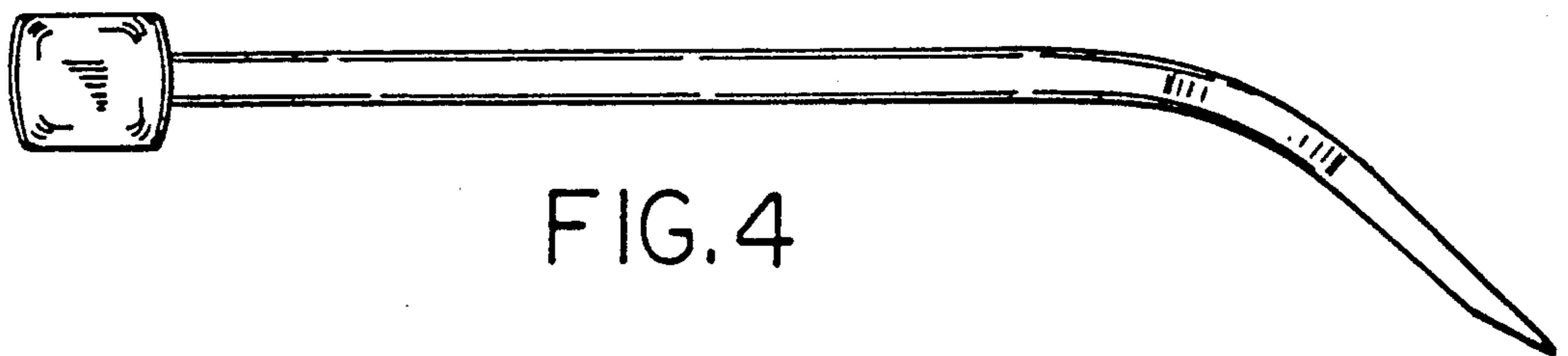


FIG. 4

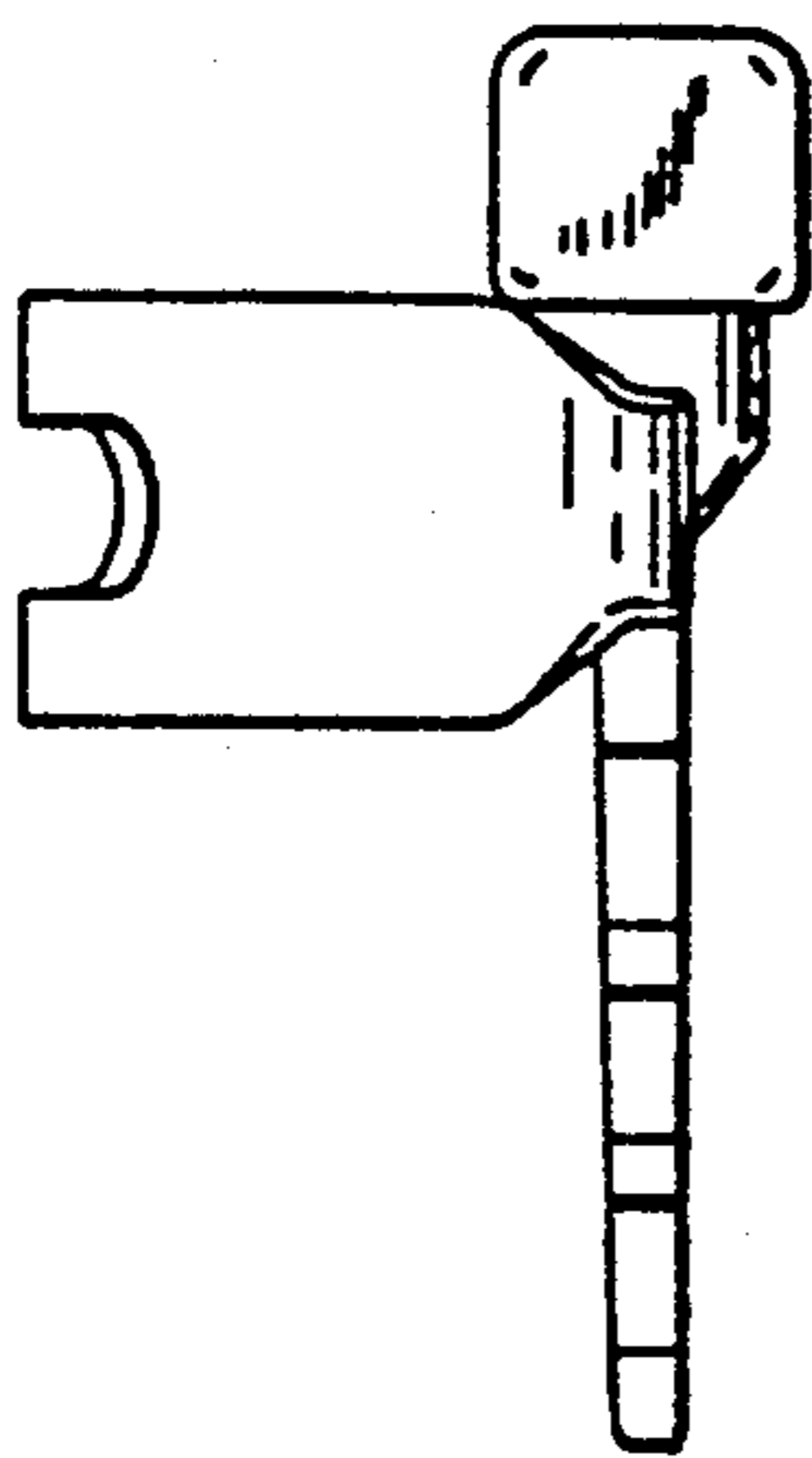


FIG. 5

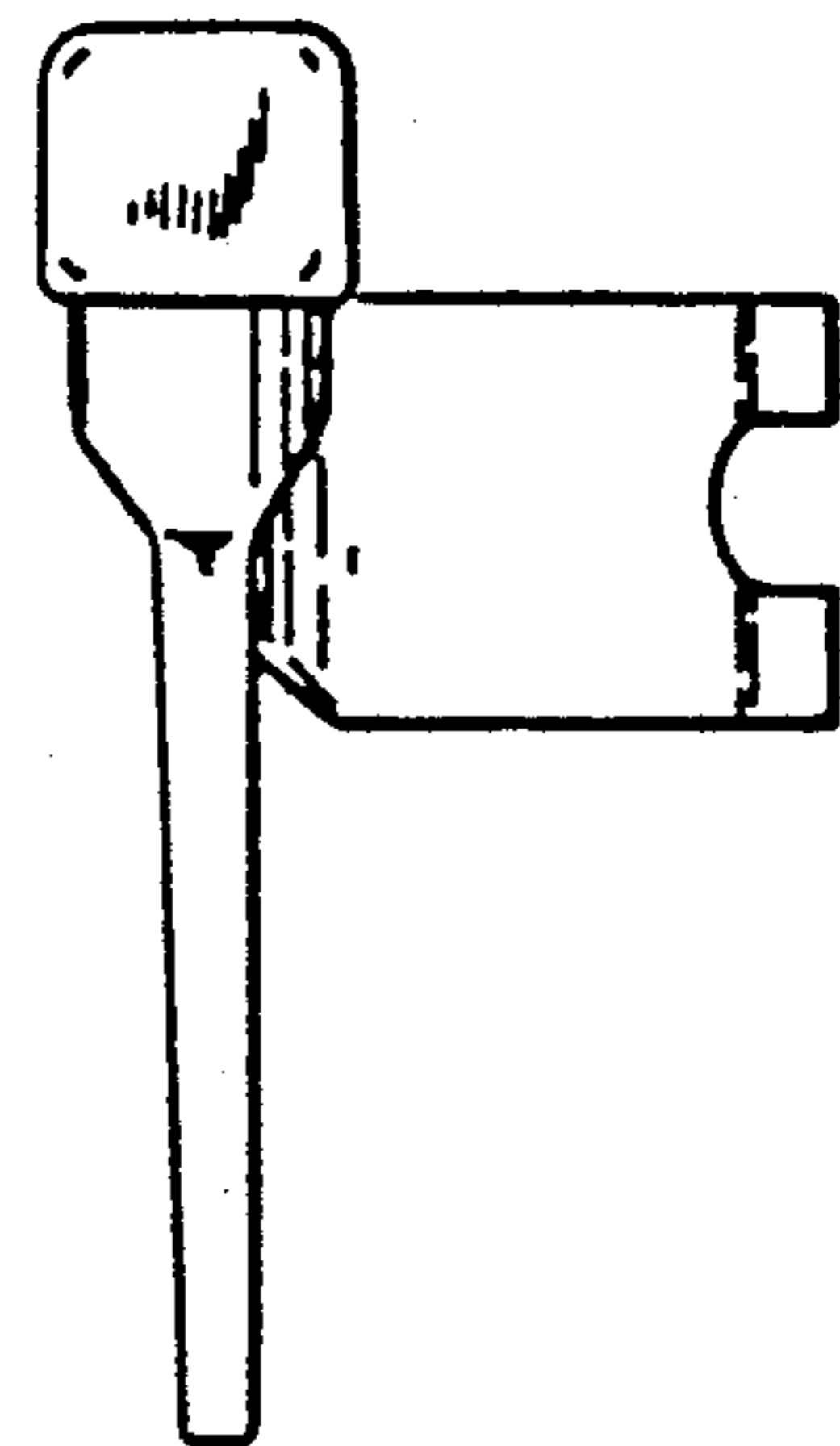


FIG. 6

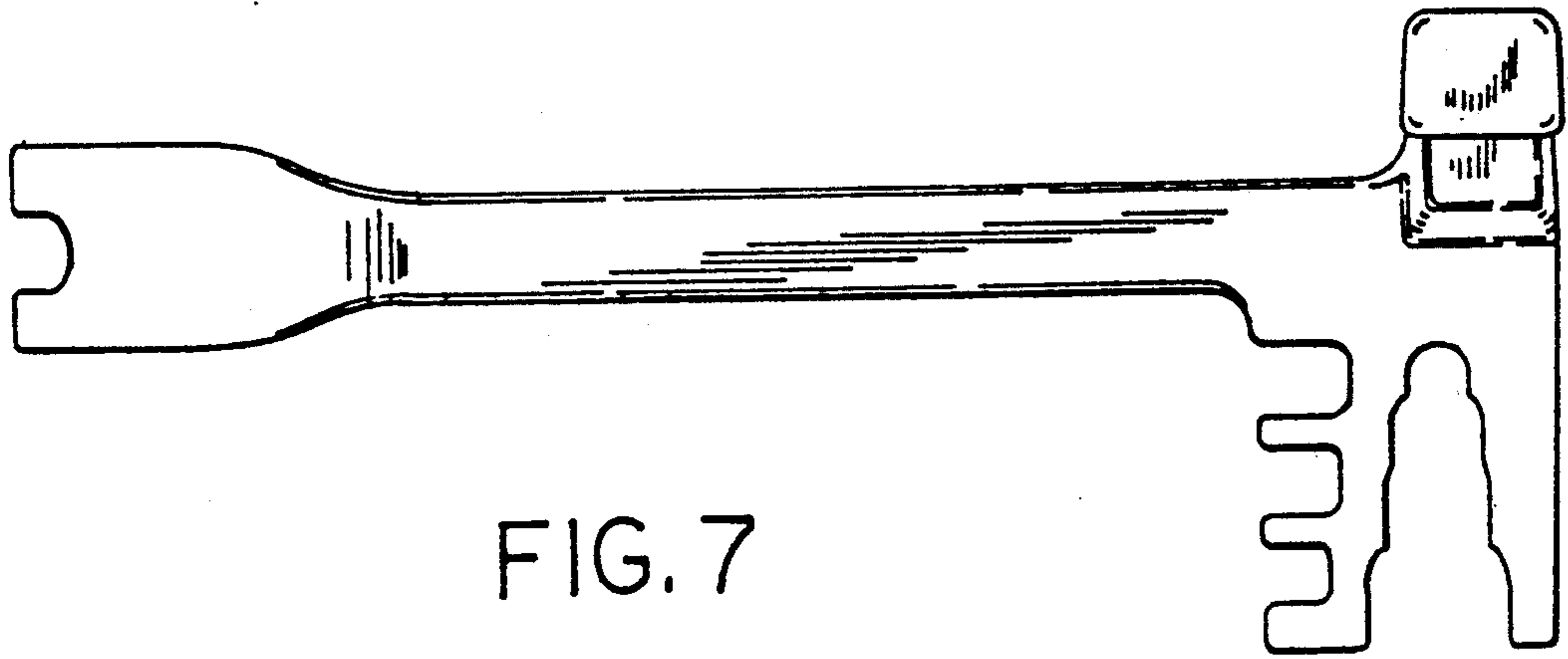


FIG. 7

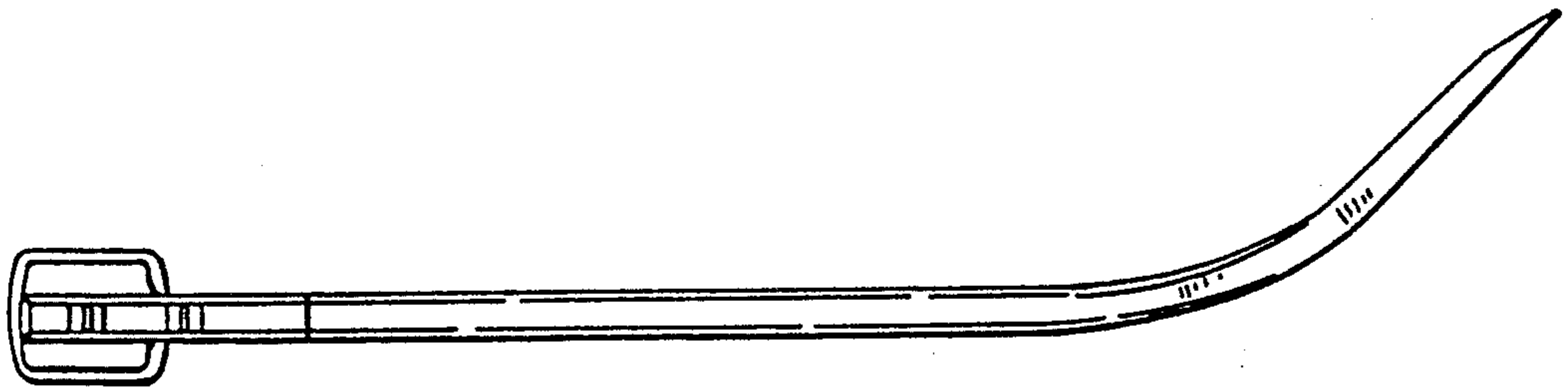


FIG. 8