

[54] PIZZA KNIFE OR THE LIKE

[76] Inventor: Donald Boxman, 6740 Knollwood Cir. West, West Bloomfield, Mich. 48033

[**] Term: 14 Years

[21] Appl. No.: 371,024

[22] Filed: Jun. 26, 1989

[52] U.S. Cl. D7/694

[58] Field of Search D7/693, 694; D8/98, D8/DIG. 4, DIG. 5, DIG. 7; 30/306, 307, 319, 292

[56] References Cited

U.S. PATENT DOCUMENTS

900,300 10/1908 Nicolas 30/319 X

OTHER PUBLICATIONS

Hong Kong Household, 1 & 2/85, p. 10, Pizza Cutter. WMS-Sonoma, 1980, p. 22, Pizza Tool "B".

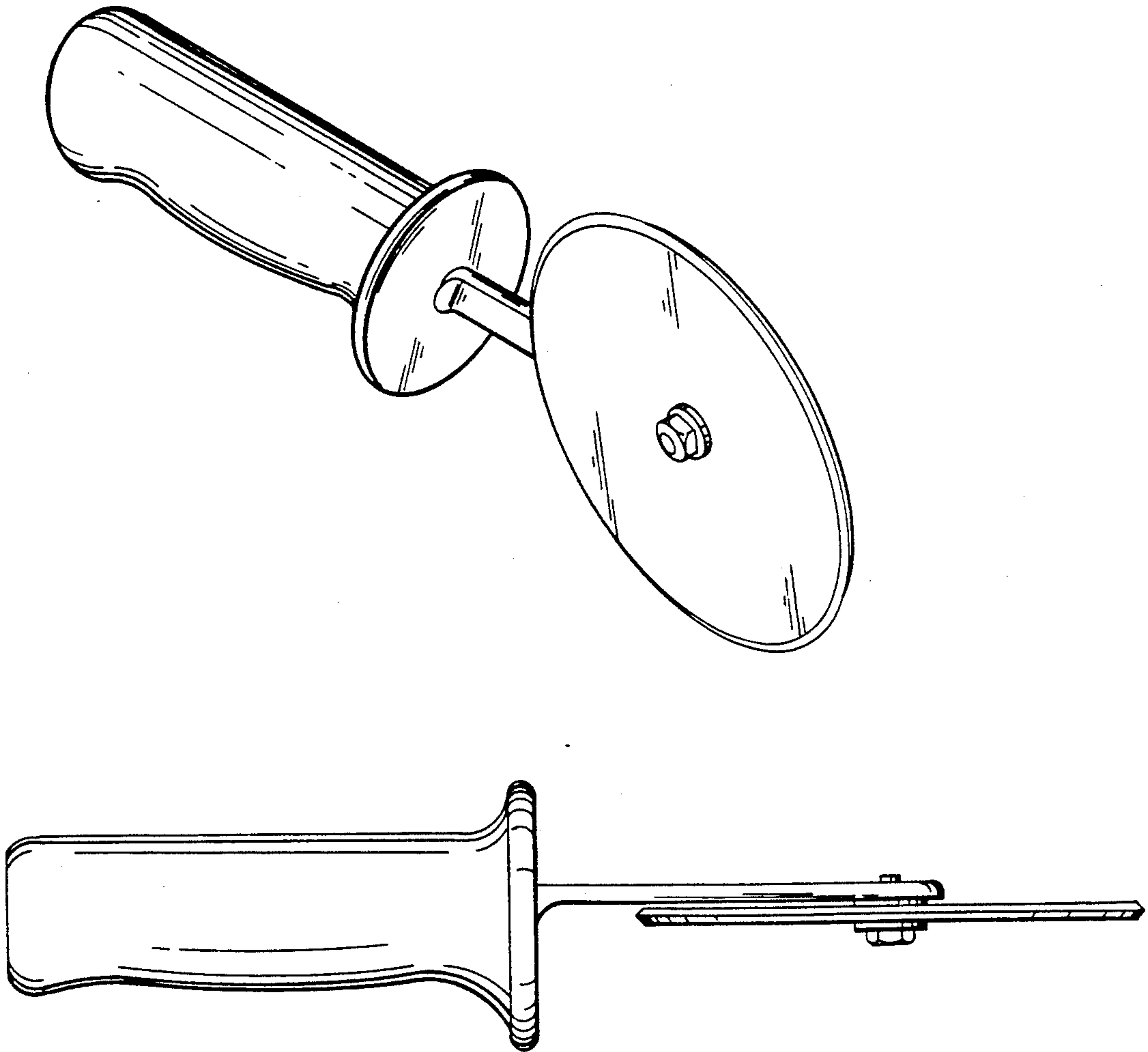
Primary Examiner—Bernard Ansher
Assistant Examiner—Terry A. Pfeffer
Attorney, Agent, or Firm—Krass & Young

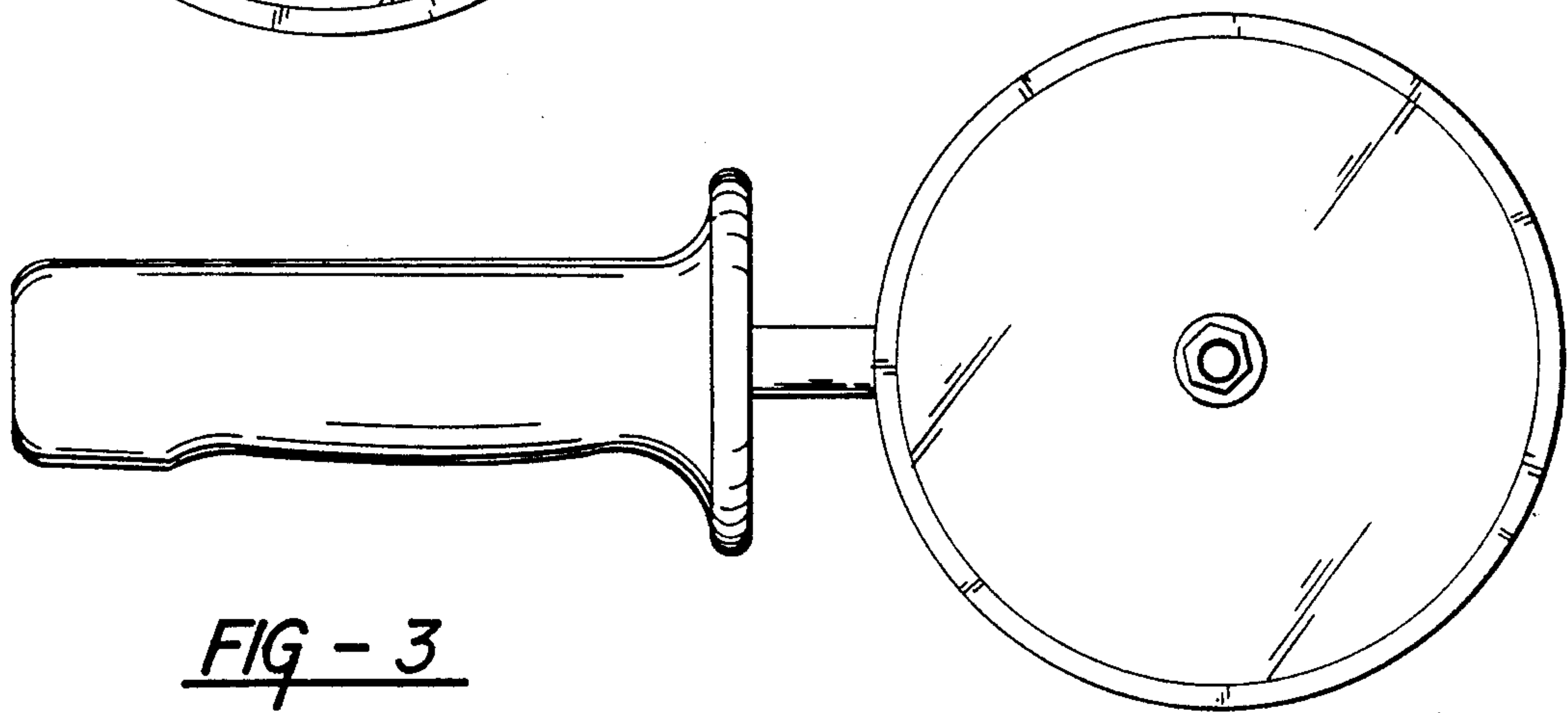
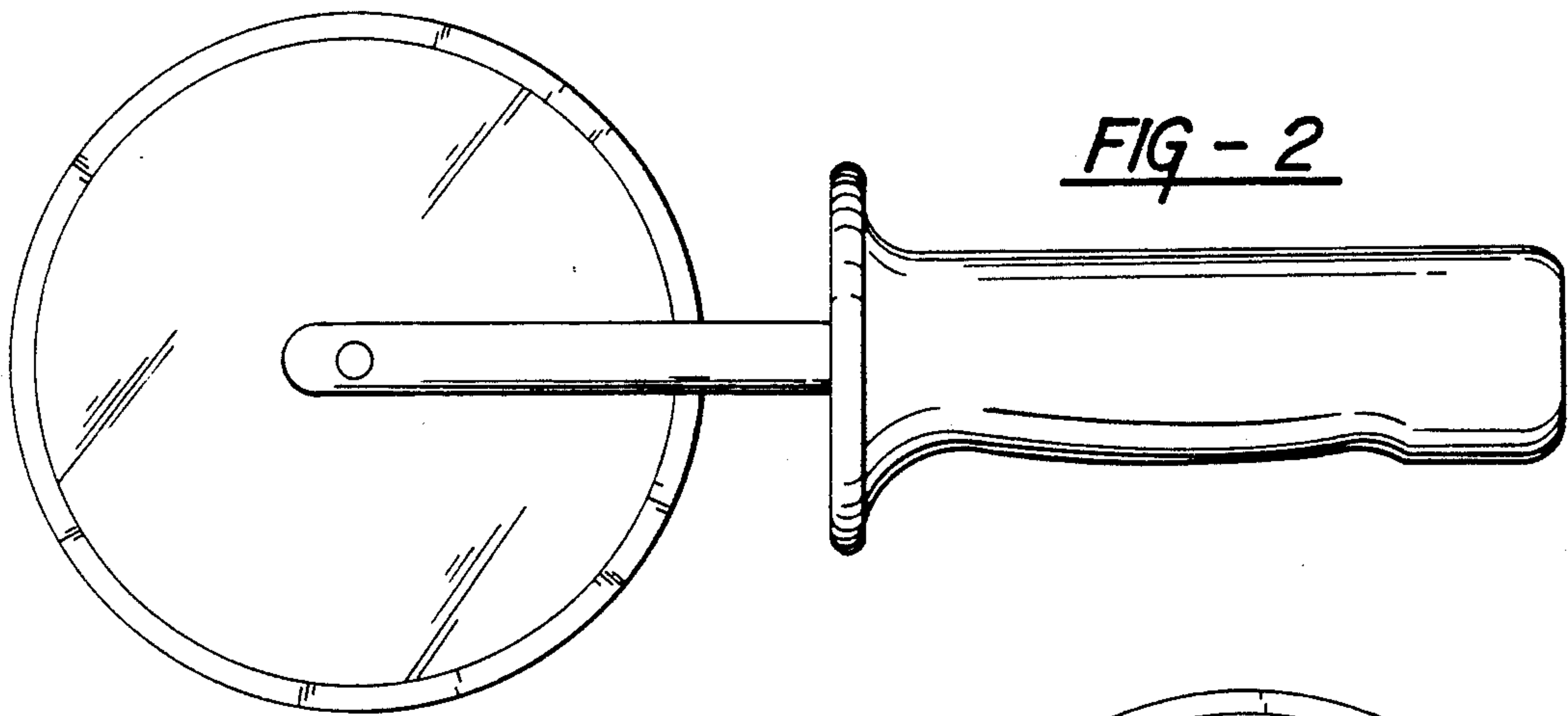
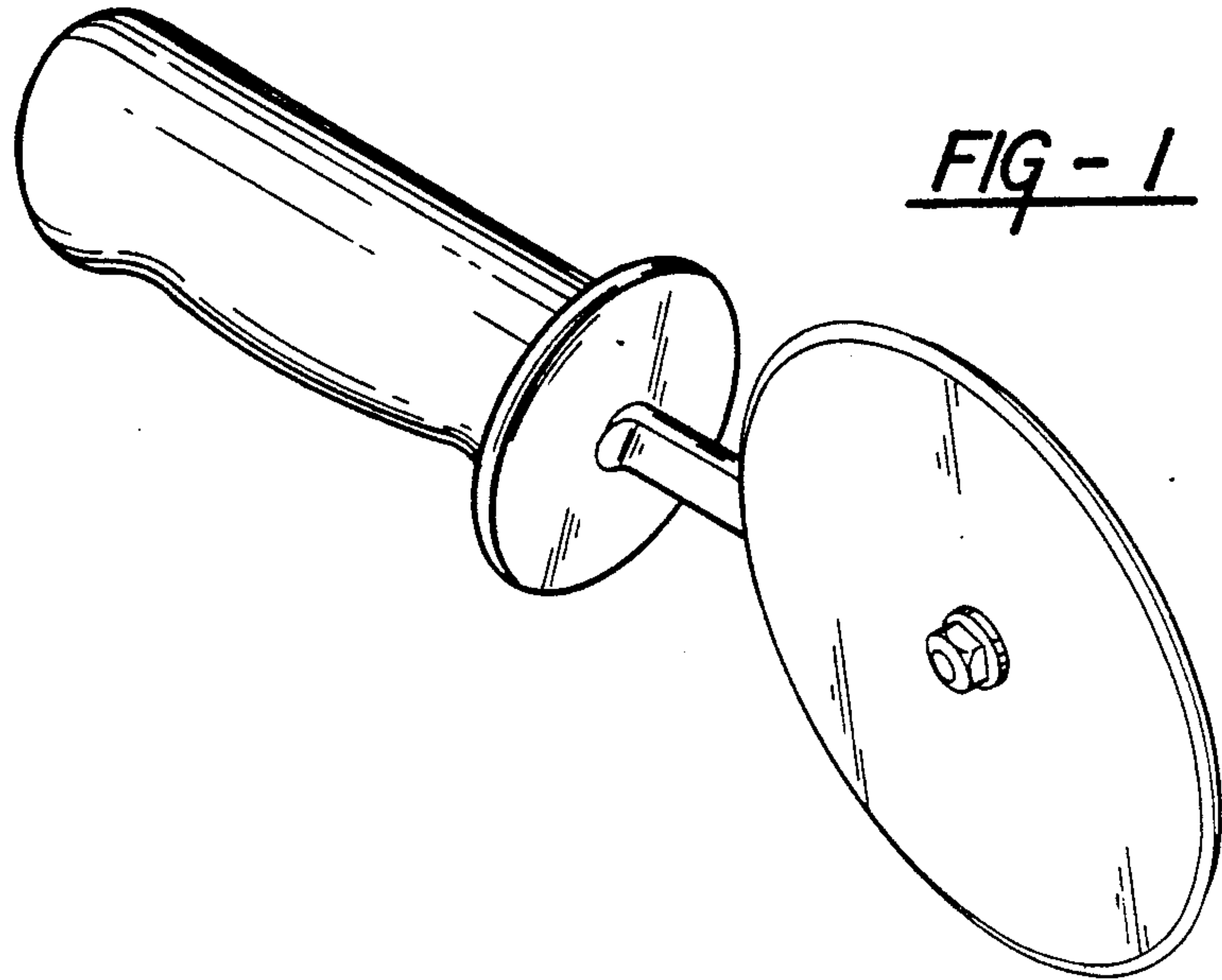
[57] CLAIM

The ornamental design for a pizza knife or the like, as shown and described.

DESCRIPTION

FIG. 1 is a perspective view of a pizza knife or the like, showing my new design;
FIG. 2 is a right side elevational view thereof;
FIG. 3 is a left side elevational view thereof;
FIG. 4 is a top plan view thereof;
FIG. 5 is a bottom plan view thereof;
FIG. 6 is a front elevational view thereof; and
FIG. 7 is a rear elevational view thereof.





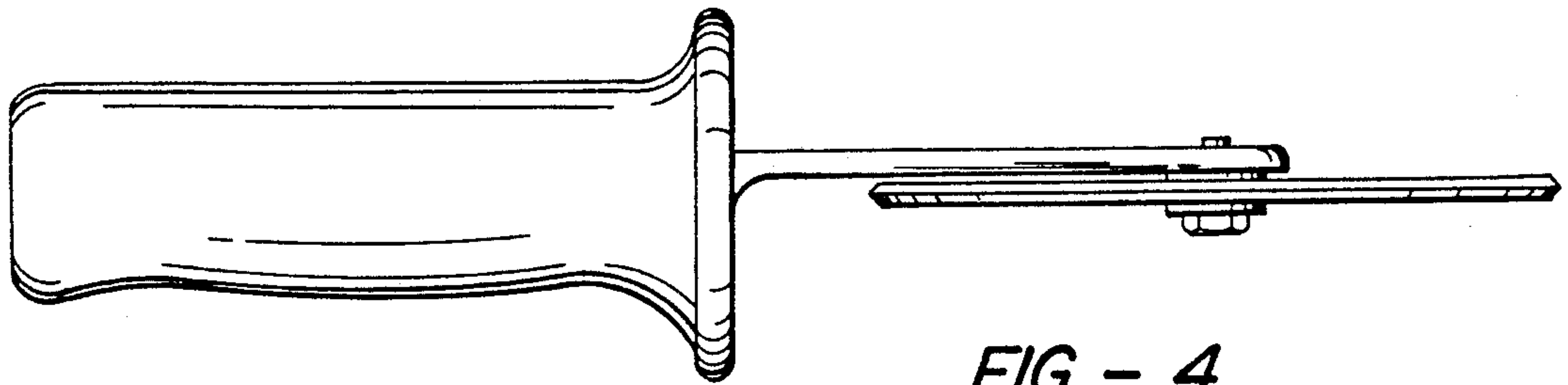


FIG - 4

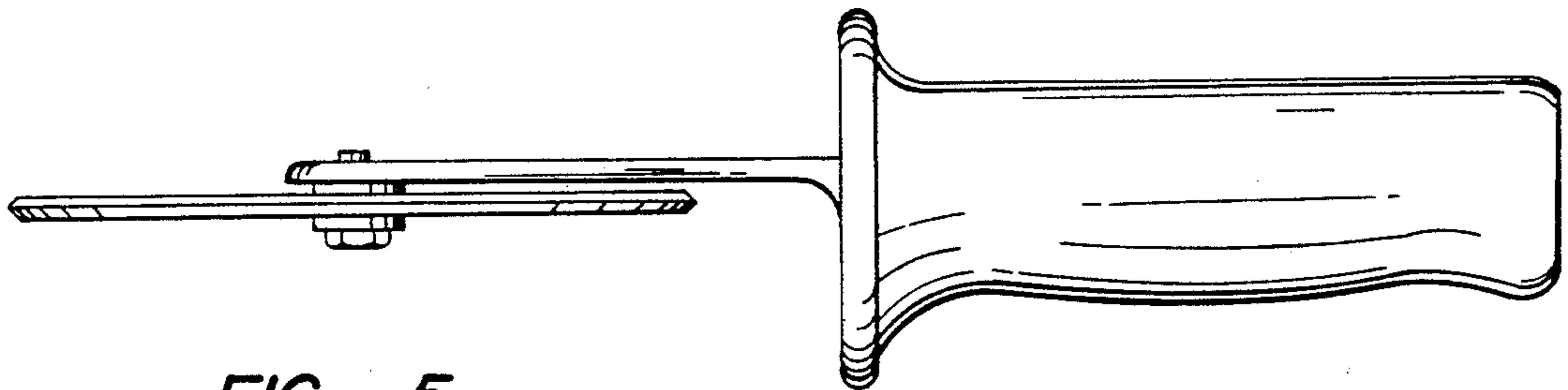


FIG - 5

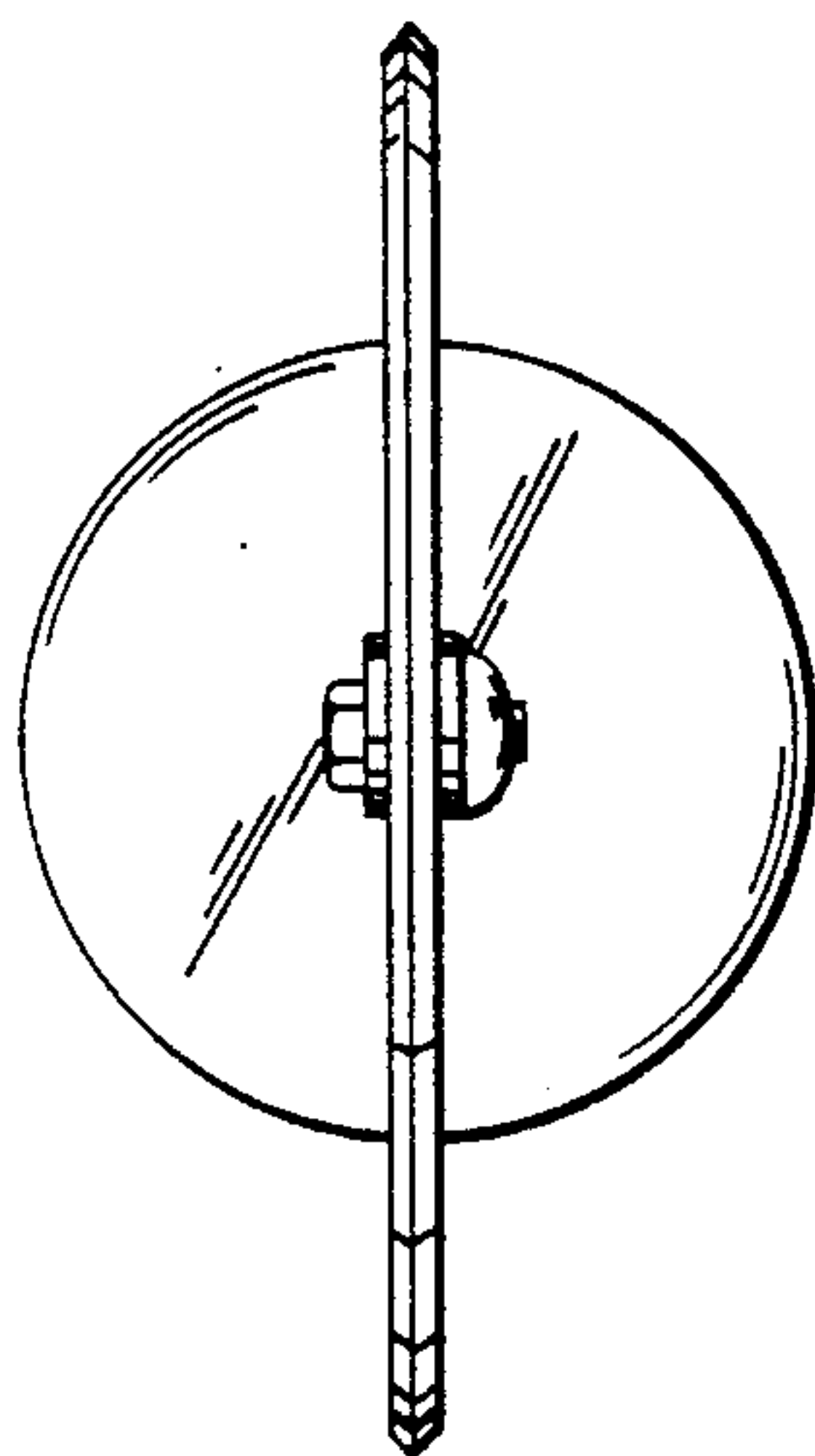


FIG - 6

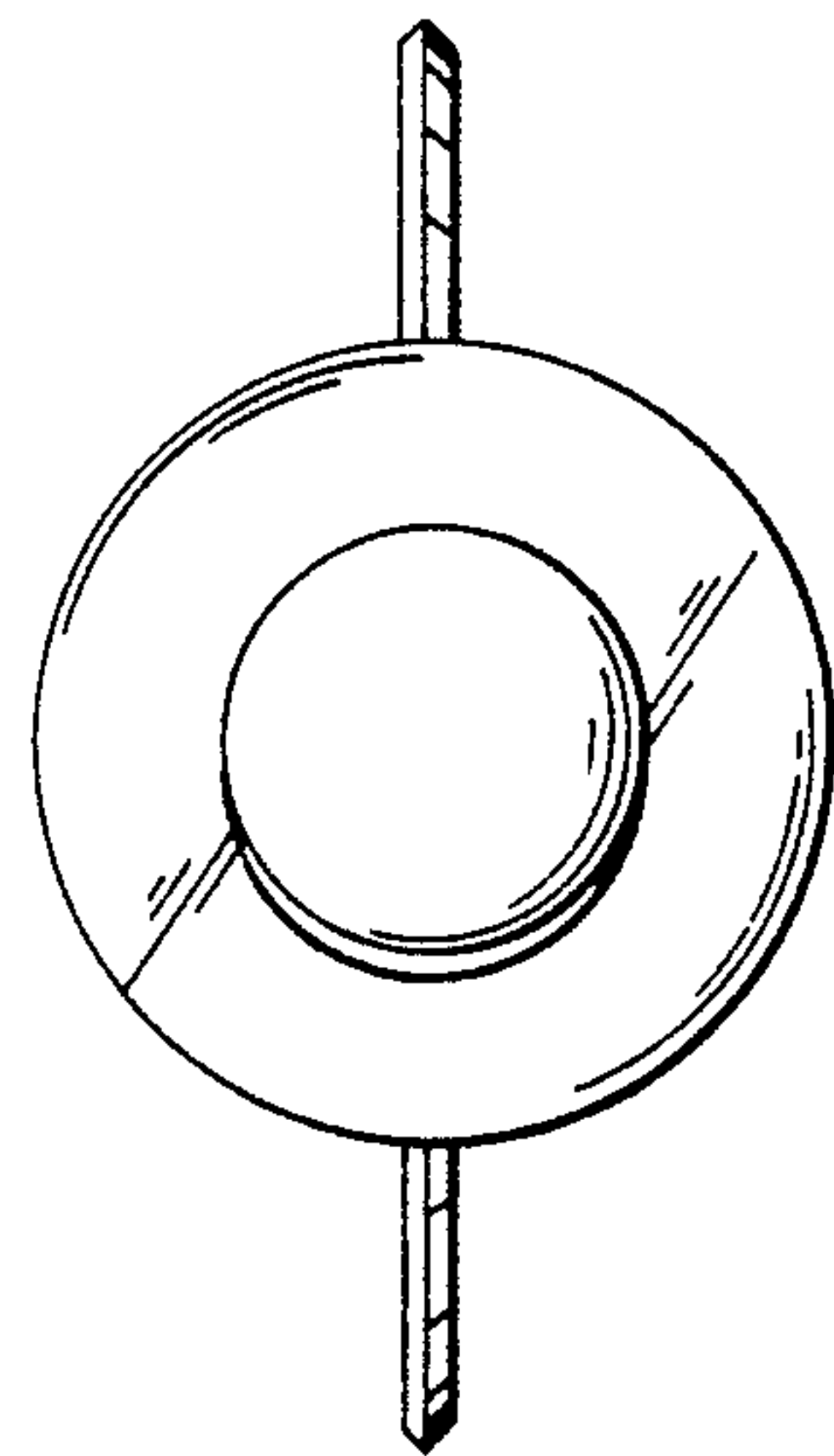


FIG - 7