

[54] FOOD PREPARATION KNIFE

[76] Inventor: Nicolas A. L. Cosio, 30 Oriente #420, Puebla, Puebla, Mexico, 72290

[**] Term: 14 Years

[21] Appl. No.: 343,242

[22] Filed: Apr. 26, 1989

[52] U.S. Cl. D7/693; D7/649; D7/652; D8/98

[58] Field of Search D7/649-652, D7/696, 693-695; D22/118, 149; D8/98-101

[56] References Cited

U.S. PATENT DOCUMENTS

D. 33,031 7/1900 Harper D7/652

D. 137,410 3/1944 Naugle D22/118
D. 236,793 9/1975 Benktzon et al. D7/650
4,117,593 10/1978 Piligrino D7/649 X

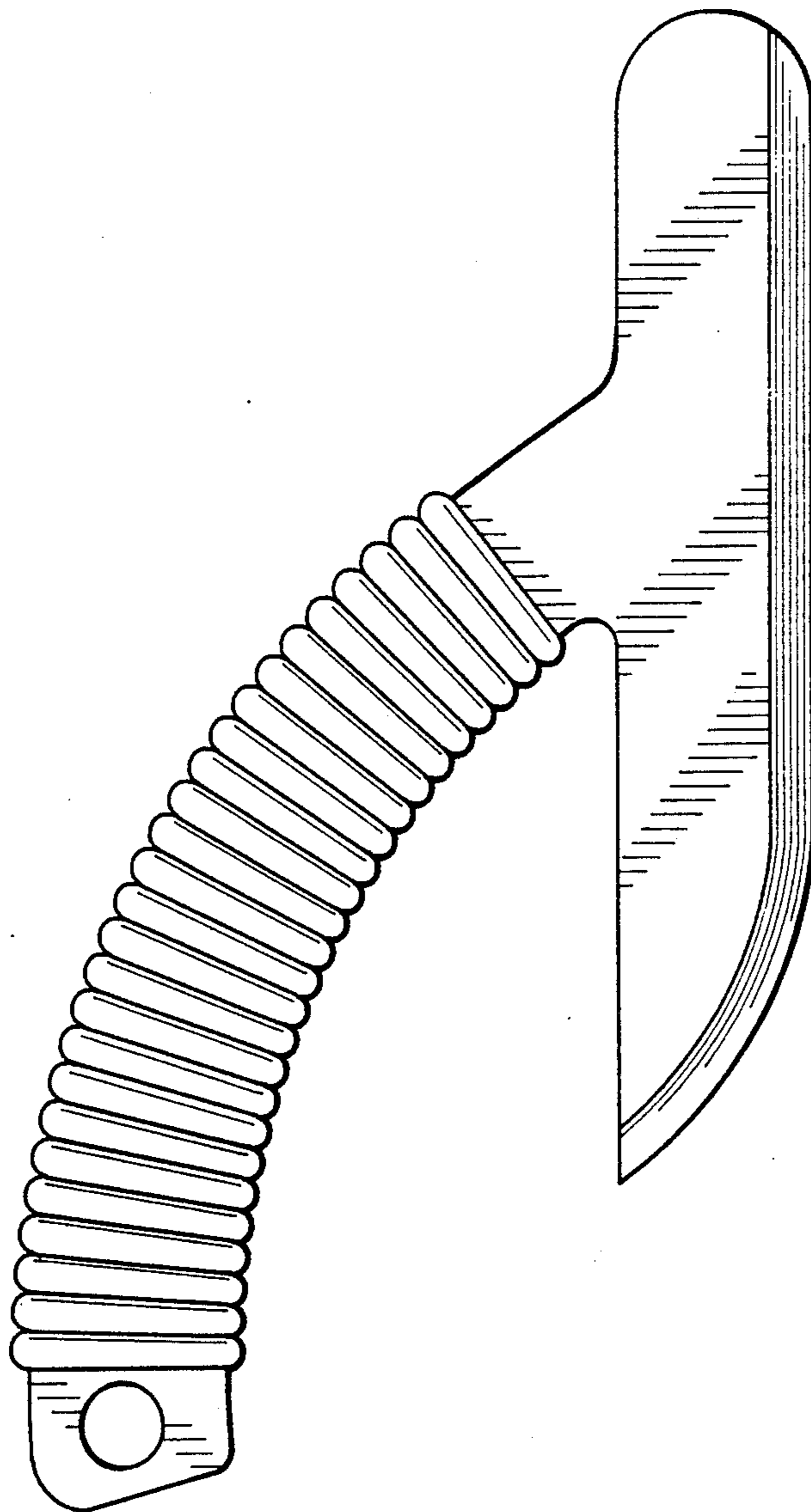
Primary Examiner—Winifred E. Herrmann
Attorney, Agent, or Firm—Jerry T. Kearns

[57] CLAIM

The ornamental design for a food preparation knife, as shown and described.

DESCRIPTION

FIG. 1 is a left side elevational view of a food preparation knife showing my new design;
FIG. 2 is a rear elevational view thereof;
FIG. 3 is a front elevational view thereof;
FIG. 4 is a right side elevational view thereof;
FIG. 5 is a top plan view thereof; and,
FIG. 6 is a bottom plan view thereof.



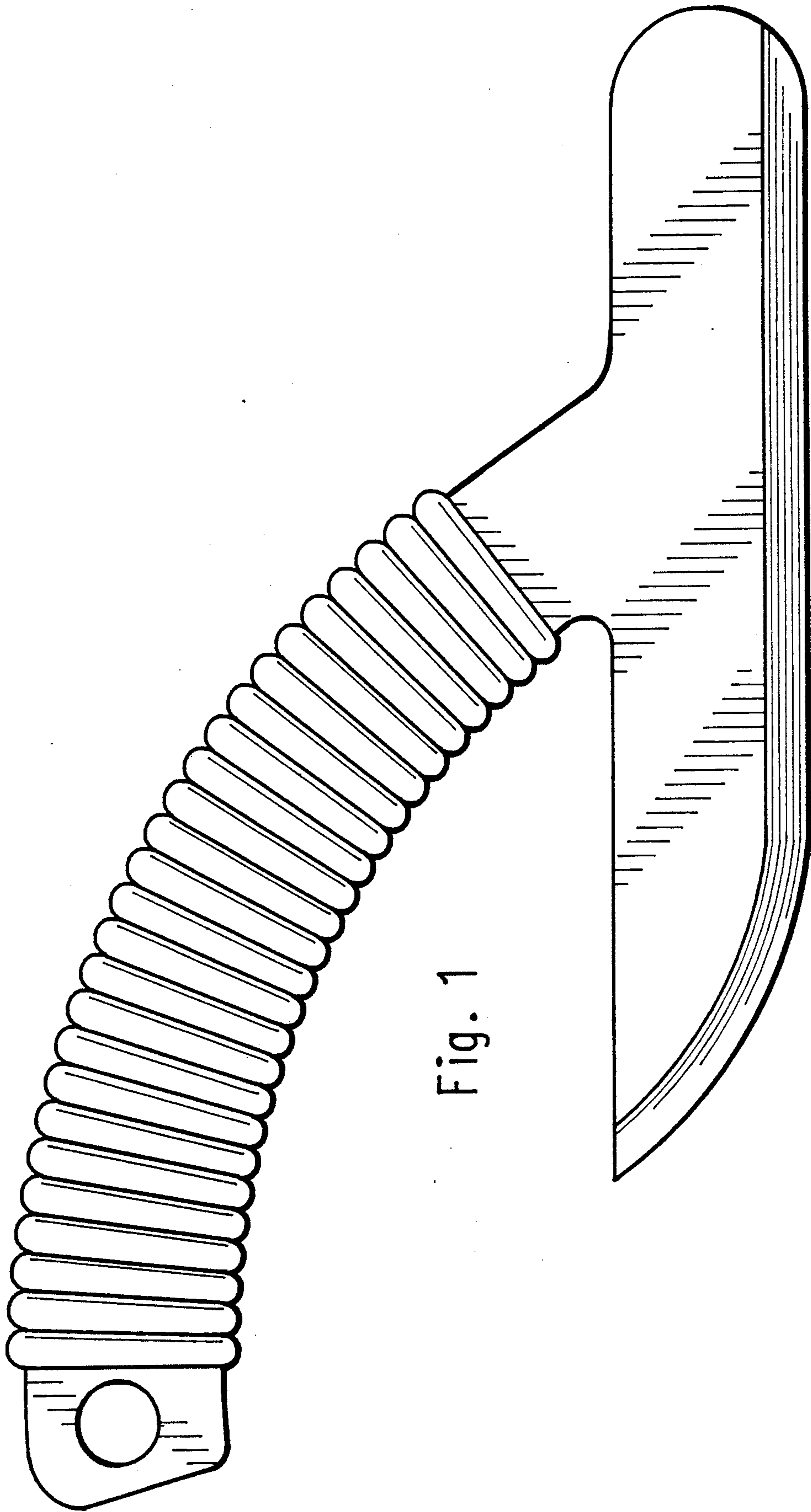


Fig. 1



Fig. 2



Fig. 3

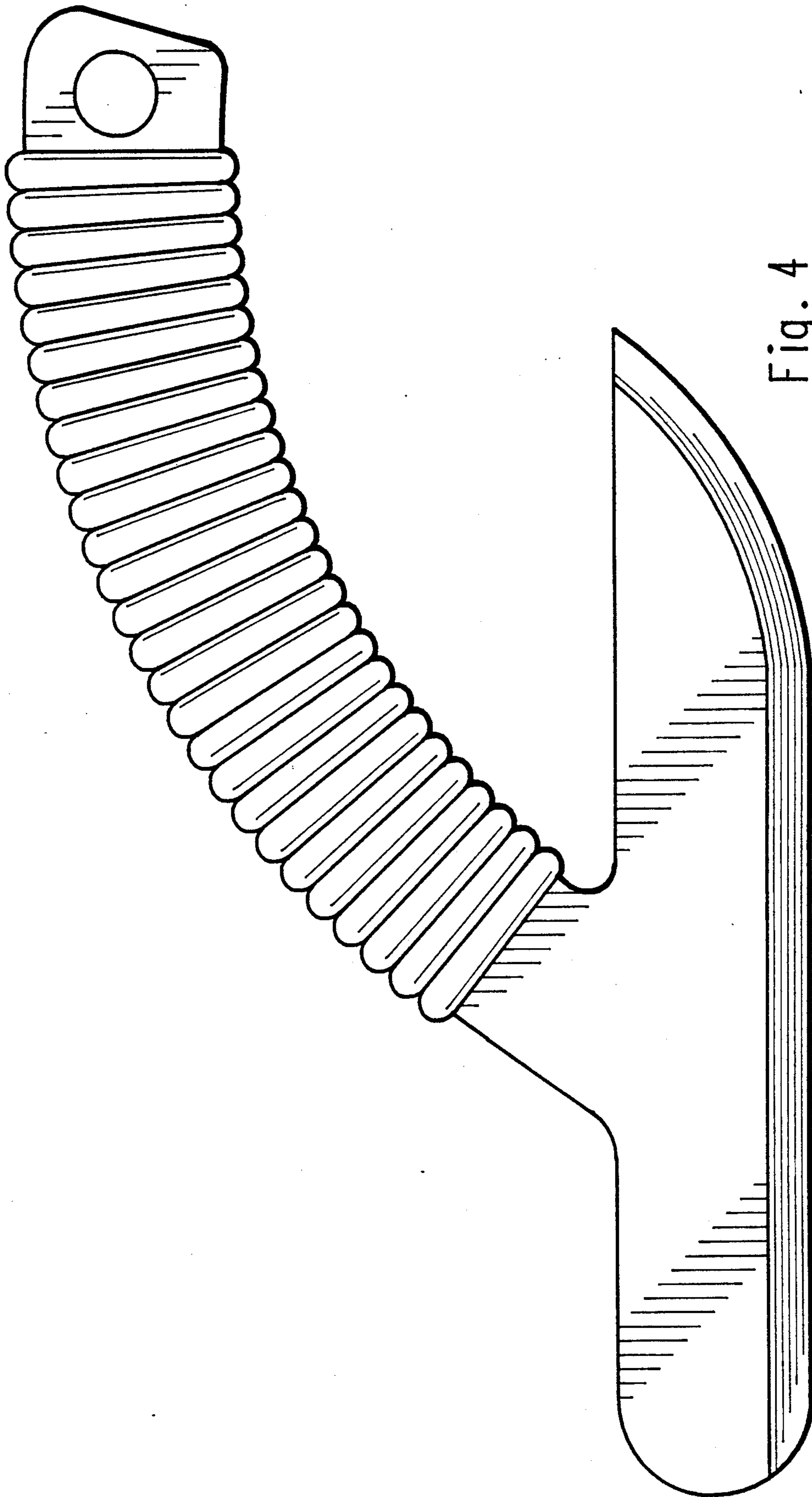


Fig. 4



Fig. 5



Fig. 6