

United States Patent [19]

Zaghini

[11] Patent Number: **Des. 318,203**

[45] Date of Patent: **** Jul. 16, 1991**

[54] **PILLOW**

[76] Inventor: **Josephine A. Zaghini, P.O. Box 1272
Ingham, Queensland 4850, Australia**

[**] Term: **14 Years**

[21] Appl. No.: **447,697**

[22] Filed: **Dec. 8, 1989**

[52] U.S. Cl. **D6/601**

[58] Field of Search **D6/595-596,
D6/601; 5/419, 431, 432, 434-435, 436, 441,
443, 445, 448; 297/391, 397**

[56] **References Cited**

U.S. PATENT DOCUMENTS

D. 174,778 5/1955 Smith D6/601

D. 211,244 6/1968 Hawley D6/601
D. 250,985 2/1979 Armstrong D6/601
2,295,906 9/1942 Lacour 5/431
3,604,023 9/1971 Lynch 5/443 X

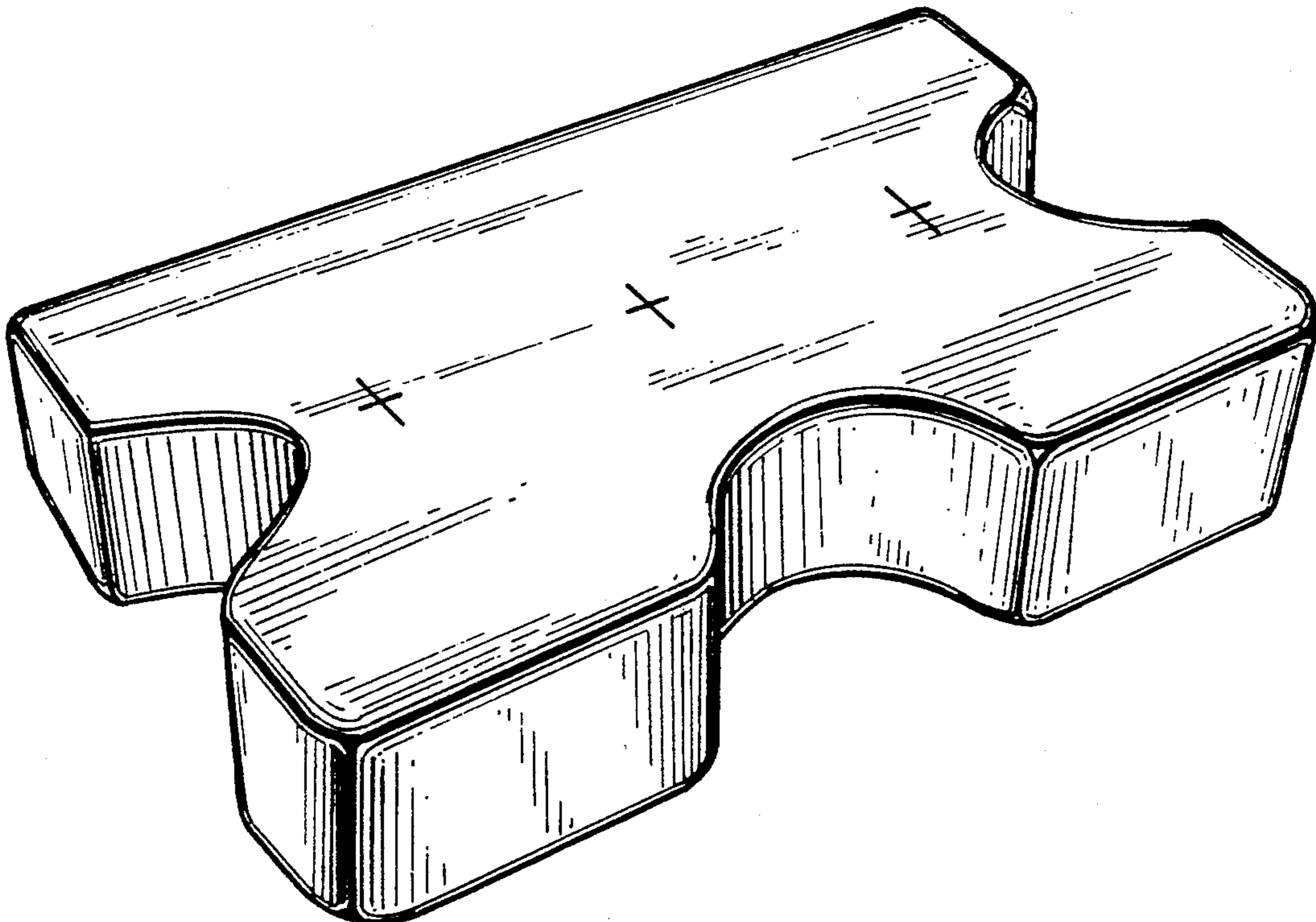
Primary Examiner—Wallace R. Burke
Assistant Examiner—Brian N. Vinson
Attorney, Agent, or Firm—Edwin D. Schindler

[57] **CLAIM**

The ornamental design for a pillow, as shown and described.

DESCRIPTION

FIG. 1 is a top, front, and right side perspective view of a pillow showing my new design; and FIG. 2 is a bottom, rear, and left side perspective view thereof.



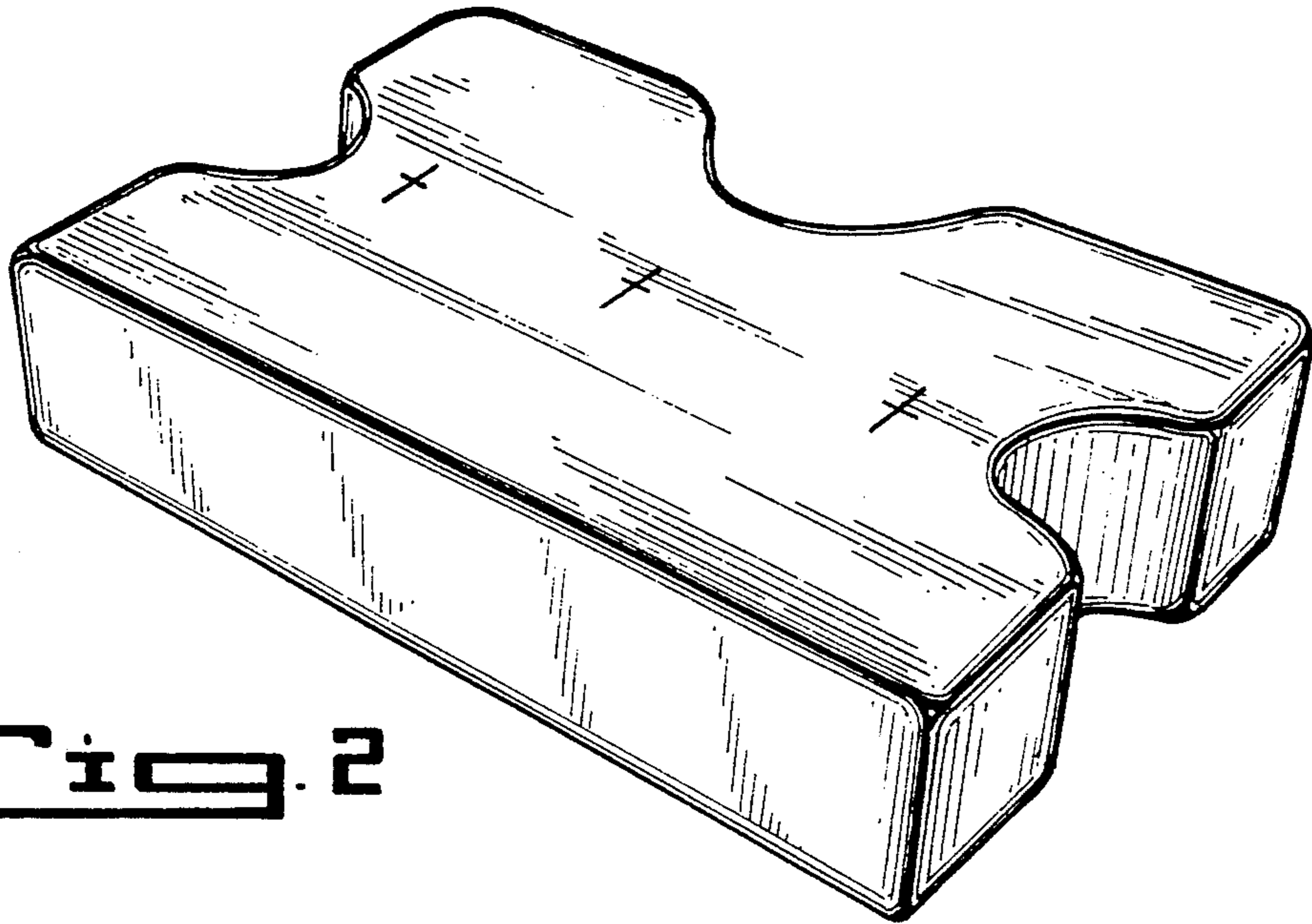


Fig. 2

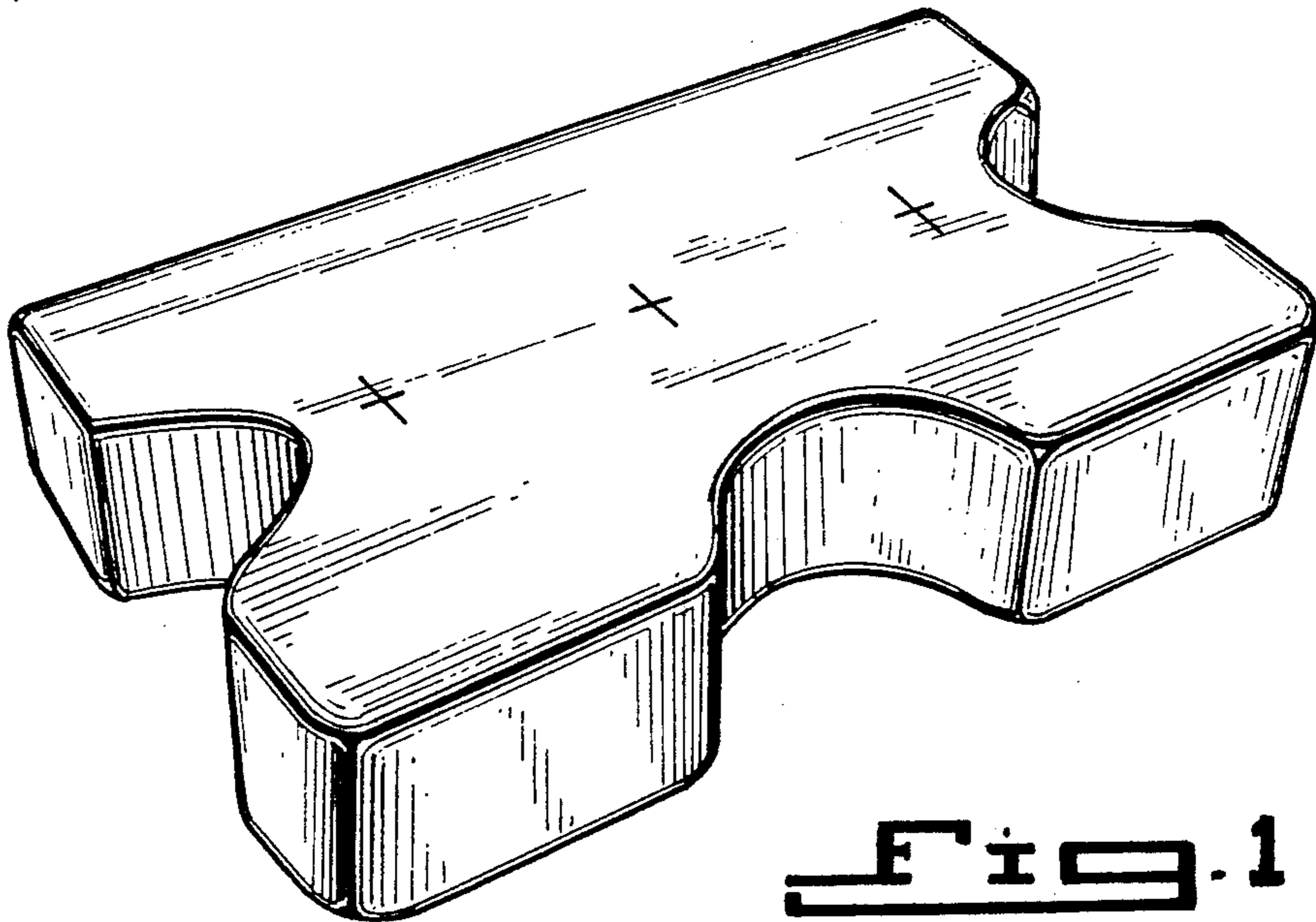


Fig. 1