

[54] **BUSINESS CARD DISPENSER OR THE LIKE**

[76] **Inventor: Malcolm T. King, Unit 11, Dominion House, Dominion Road, Ashmore Queensland, Australia**

[**] **Term: 14 Years**

[21] **Appl. No.: 218,598**

[22] **Filed: Jul. 12, 1988**

[30] **Foreign Application Priority Data**

Jan. 12, 1988 [AU] Australia 101/88
 [52] **U.S. Cl. D6/518**
 [58] **Field of Search D6/512, 515, 517-523; 211/13, 49.1; 221/45, 33, 282-286**

[56] **References Cited**

U.S. PATENT DOCUMENTS

D. 293,182	12/1987	Carter	D6/573	X
1,968,013	7/1934	Brownson	312/50	
2,152,174	3/1939	Brunetti	206/40	
3,393,831	7/1968	Stewart	221/232	
3,397,818	8/1968	Rey	221/232	
3,860,304	1/1975	Bolton	312/71	
4,045,102	8/1977	Austin	312/61	
4,209,108	6/1980	Winans	221/6	
4,285,443	8/1981	Winans	221/155	
4,306,687	12/1981	Hadtke	221/45	X
4,465,208	8/1984	Buban et al.	221/279	
4,471,885	9/1984	Mucciarone	221/155	
4,537,330	8/1985	Gelbard	221/45	X

4,712,684	12/1987	Boeckmann	221/45
4,913,312	4/1990	Boutin	221/45

FOREIGN PATENT DOCUMENTS

17085/24	of 1924	Australia	.
63450/80	4/1981	Australia	.
1551122	12/1968	France	.
2298990	8/1976	France	.
2495915	6/1982	France	.
2598307	11/1987	France	.
1159858	7/1969	United Kingdom	.
1285121	8/1972	United Kingdom	.

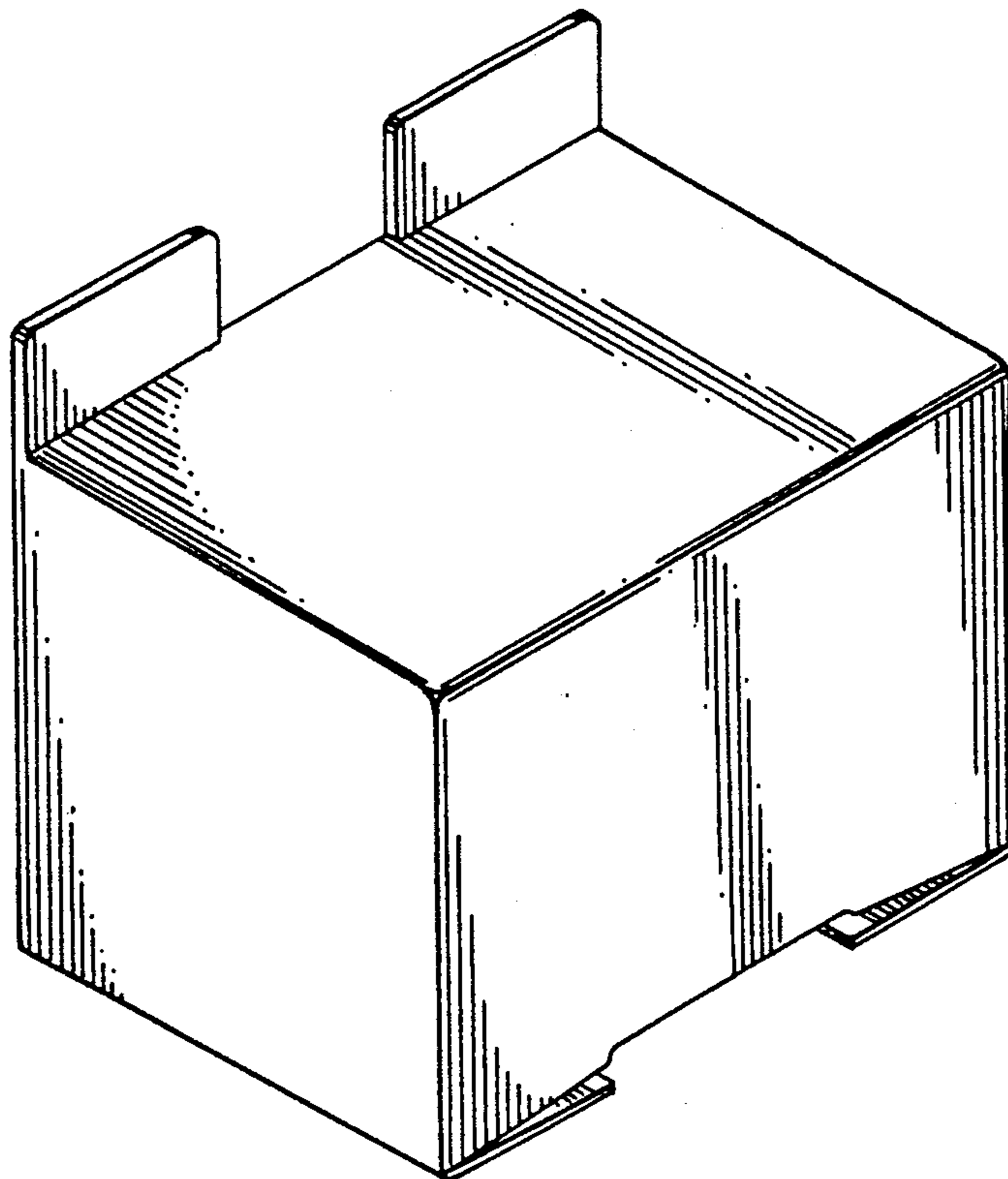
Primary Examiner—Susan J. Lucas
Assistant Examiner—Brian N. Vinson
Attorney, Agent, or Firm—Kimmel, Crowell & Weaver

[57] **CLAIM**

The ornamental design for a business card dispenser or the like, as shown and described.

DESCRIPTION

FIG. 1 is a top, front, and left side perspective view of a business card dispenser or the like showing my new design;
 FIG. 2 is a front elevational view thereof;
 FIG. 3 is a rear elevational view thereof;
 FIG. 4 is a left side elevational view thereof;
 FIG. 5 is a right side elevational view thereof;
 FIG. 6 is a top plan view thereof;
 FIG. 7 is a bottom plan view thereof; and
 FIG. 8 is a bottom, rear, and left side perspective view thereof.



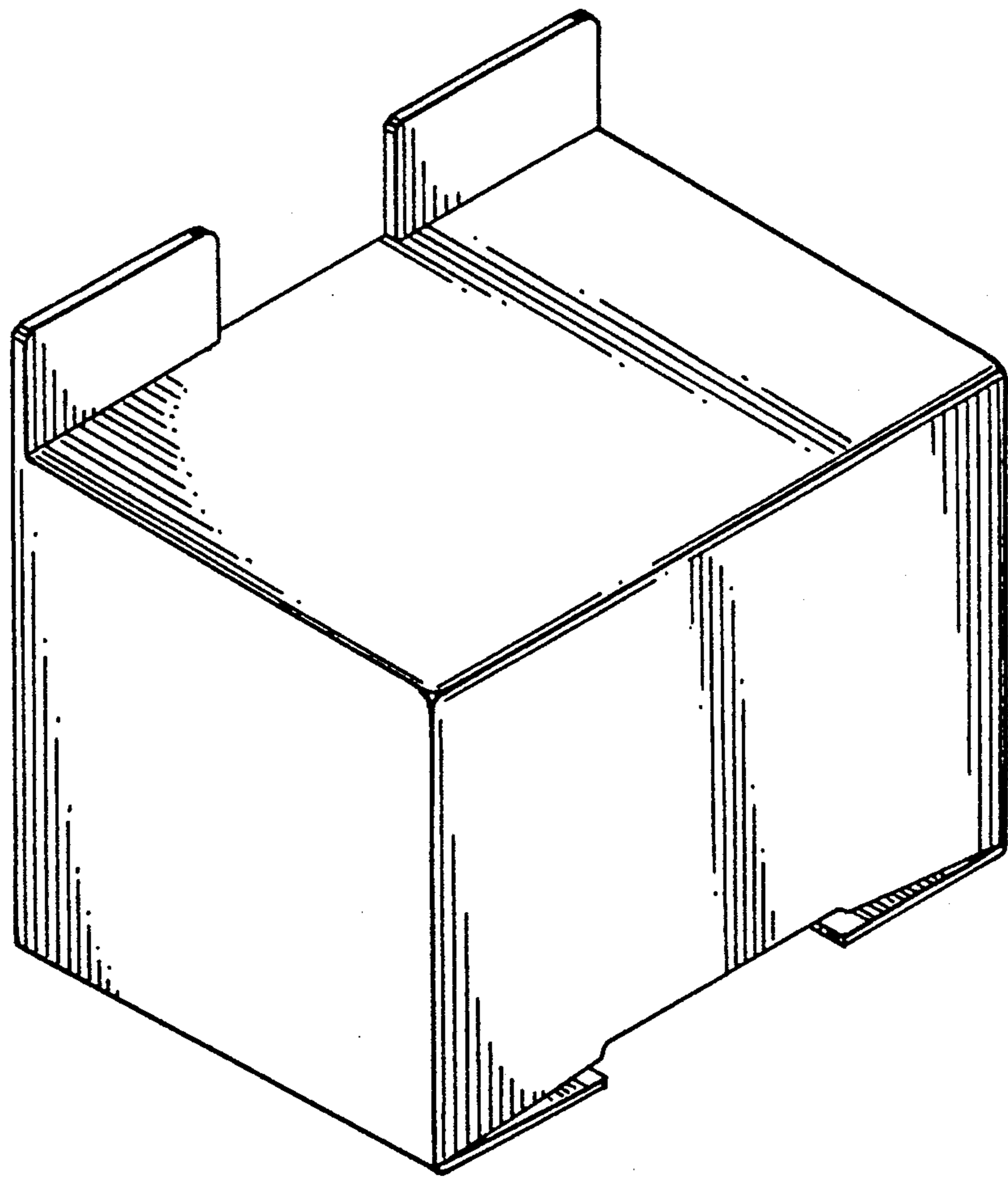


FIG. 1.

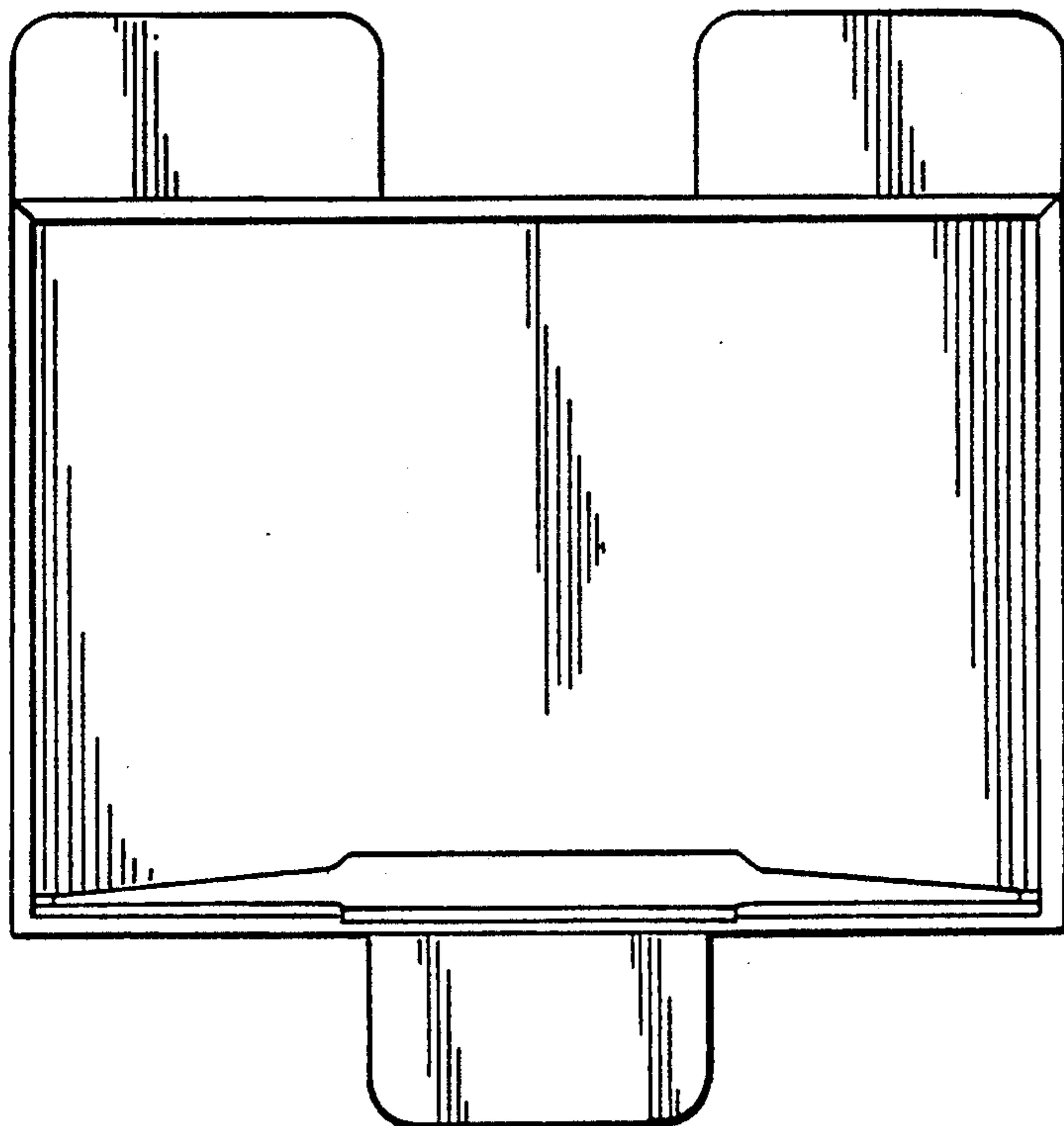


FIG. 2.

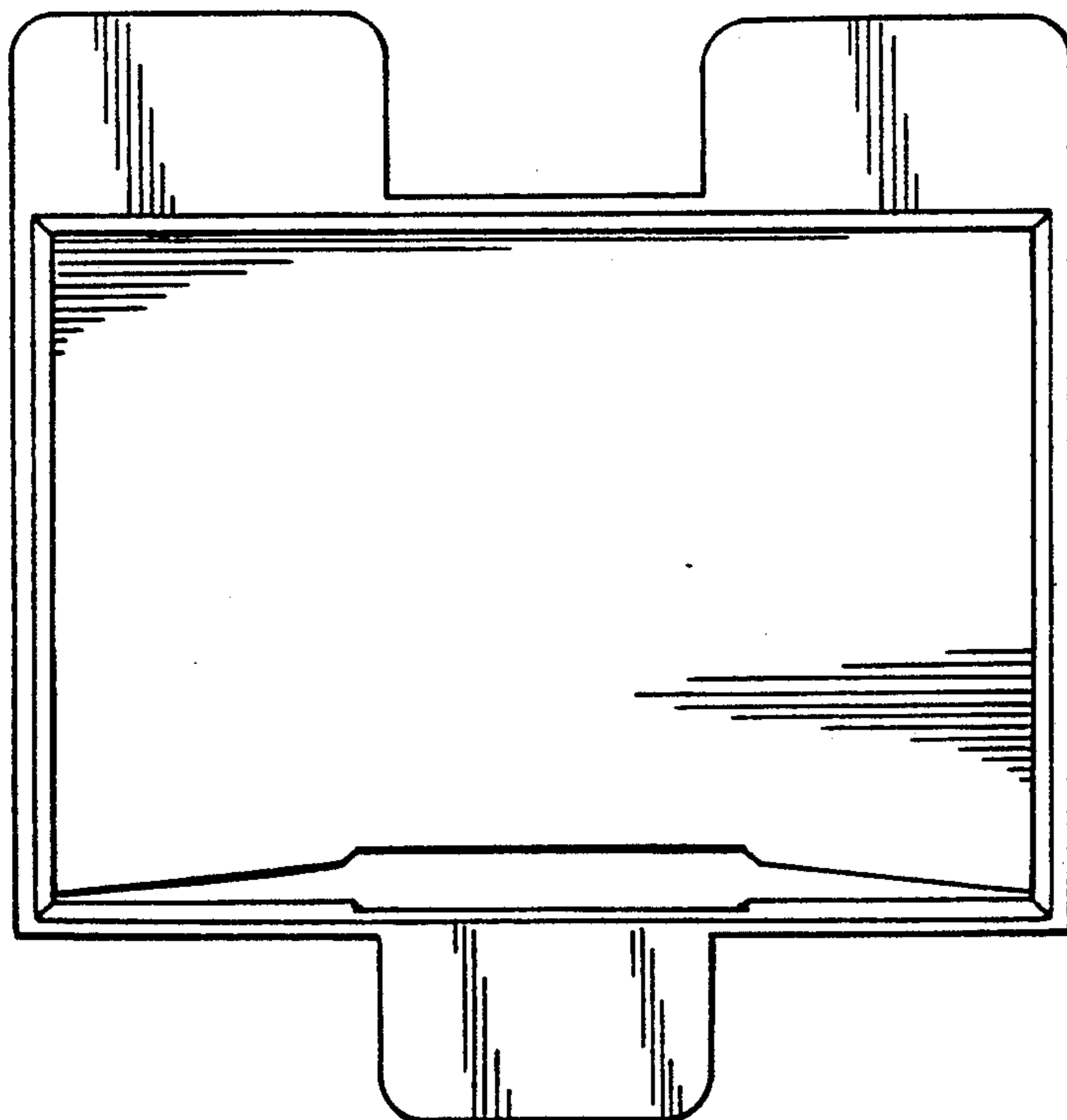


FIG. 3.

FIG. 5.

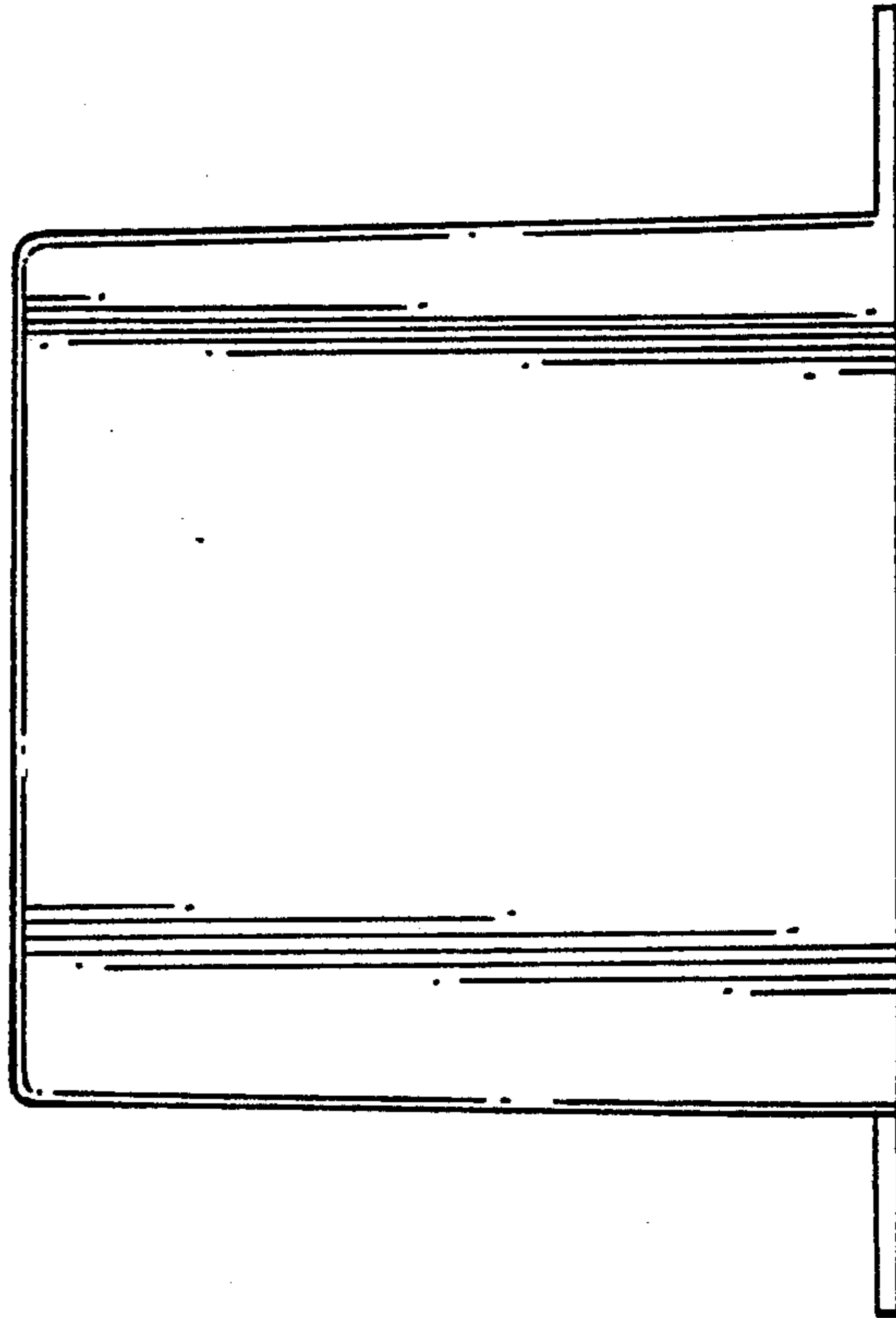
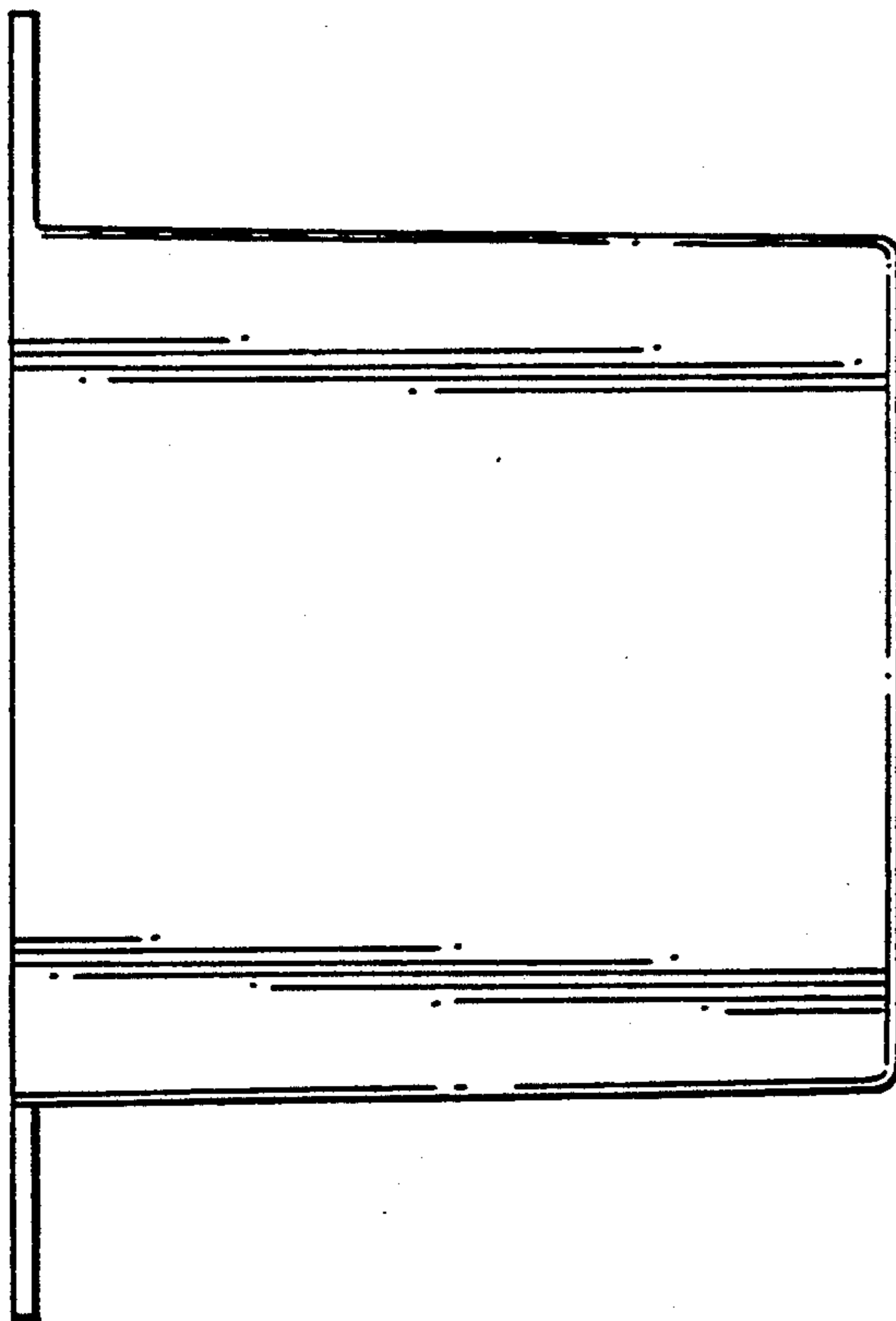


FIG. 4.



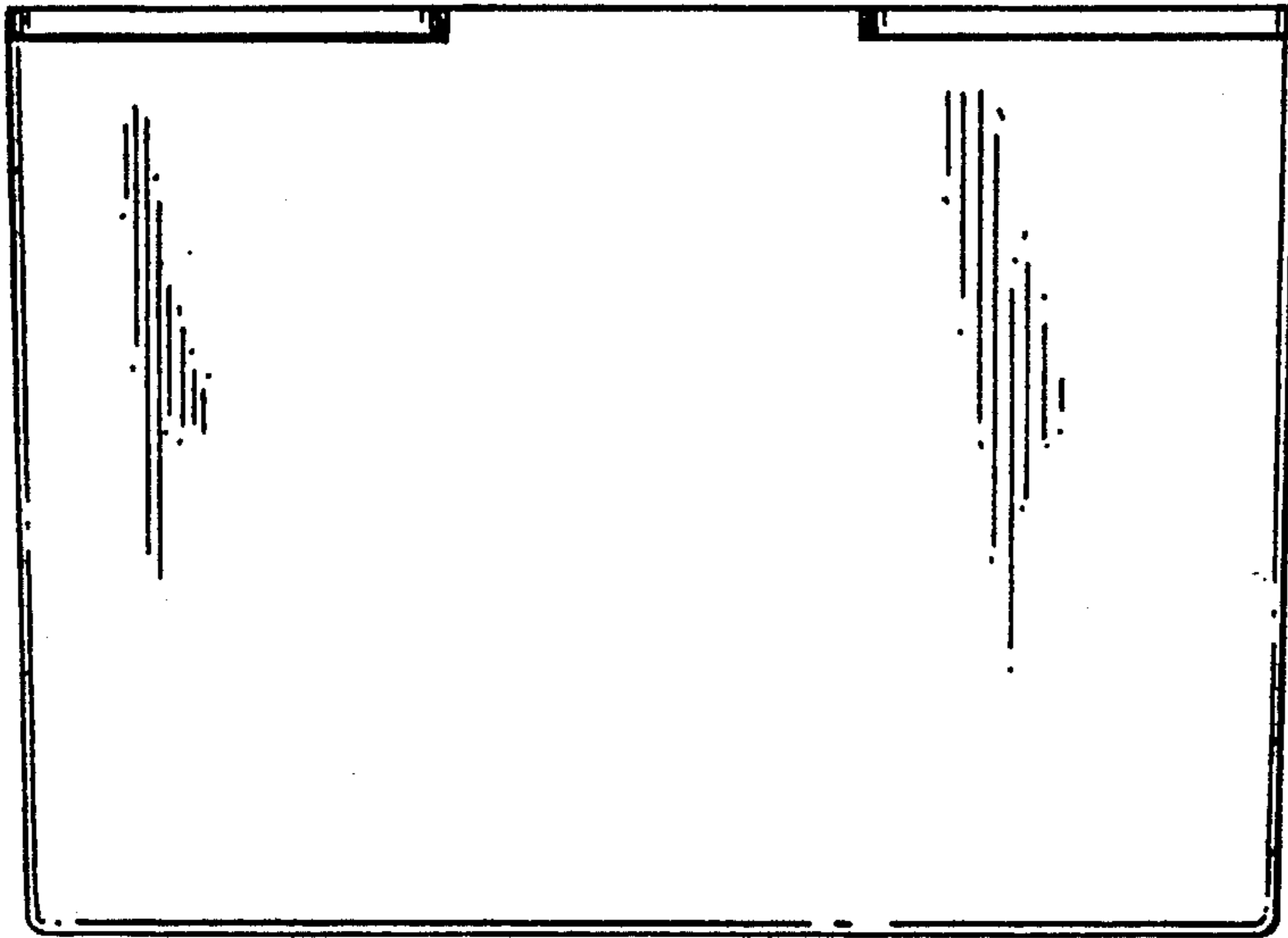


FIG. 6.

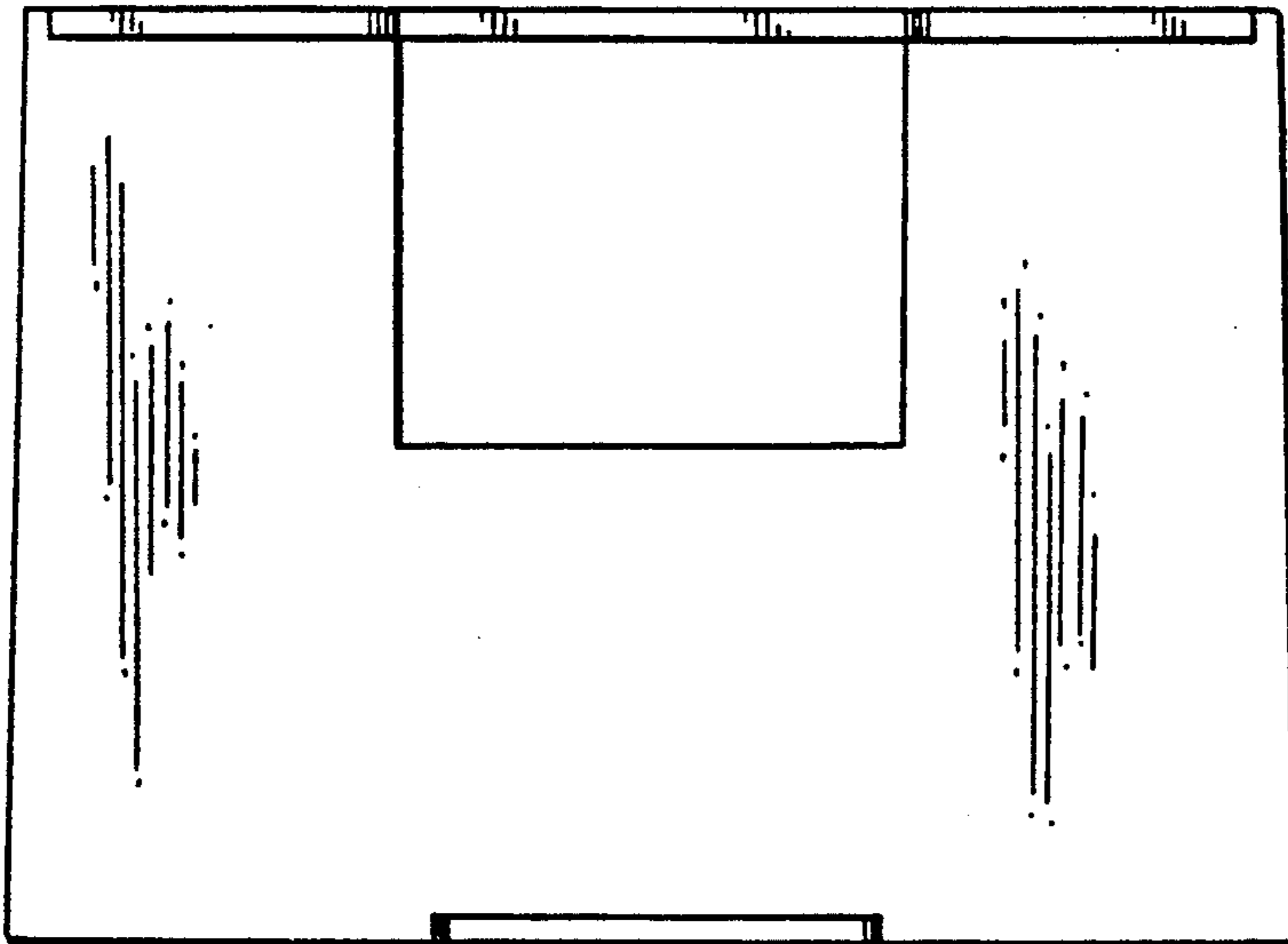


FIG. 7.

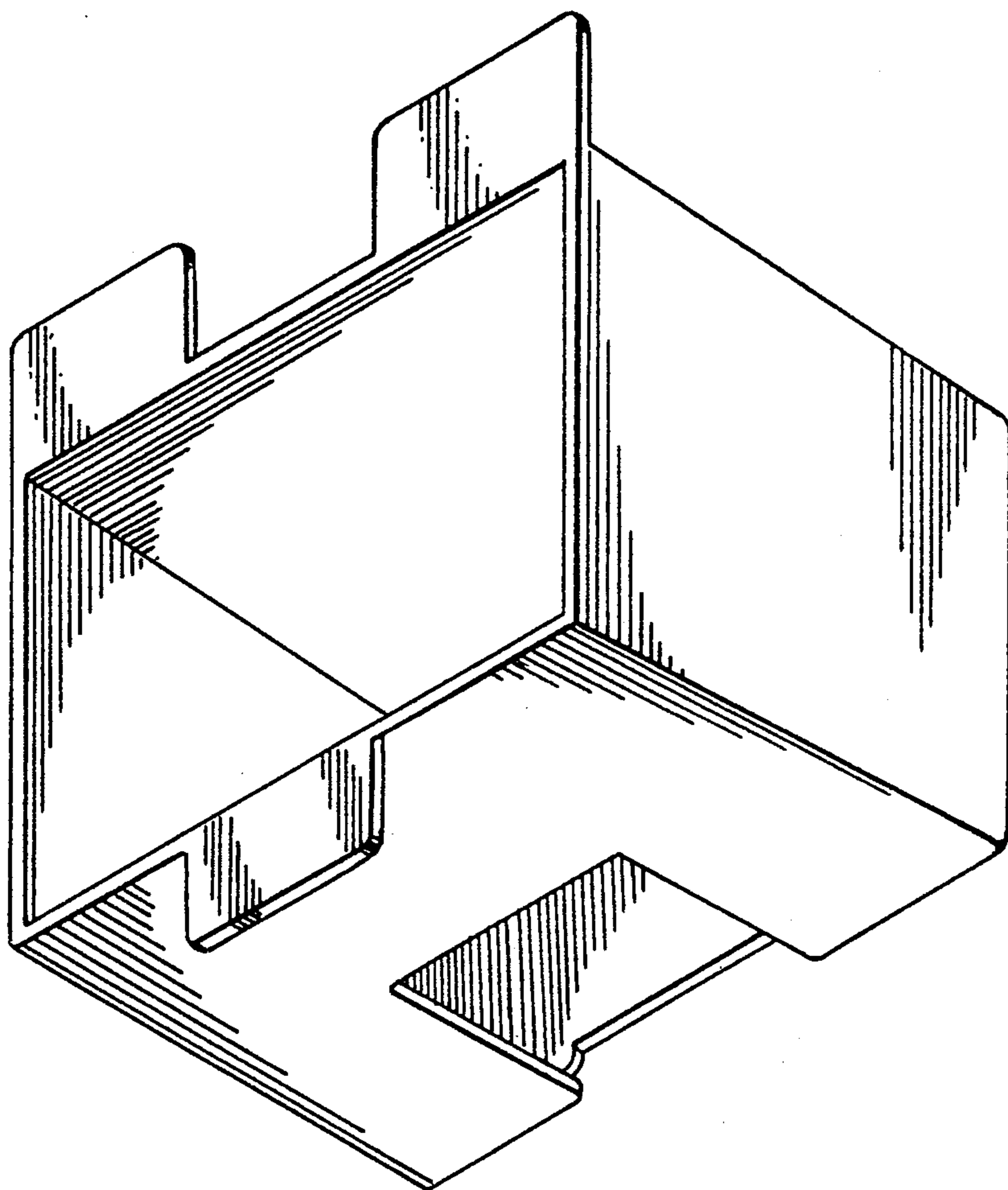


FIG. 8.