

[54] AUXILIARY WORK SURFACE FOR A TABLE

[76] Inventors: Gary Opp, 12611 Trask, Garden Grove, Calif. 92643; Garland Opp, 8081 Holland Cir., Apt 11 F, Huntington Beach, Calif. 92648

[\*\*] Term: 14 Years

[21] Appl. No.: 5,876

[22] Filed: Jan. 21, 1987

[52] U.S. Cl. .... D6/491; D6/511

[58] Field of Search ..... D6/396, 474, 462, 400, D6/419, 420, 423, 449, 488, 490, 491, 509, 511, 514; 269/289 R; D20/10; 229/107, 108, 116, 120; 126/66, 67, 76, 77

[56] References Cited

U.S. PATENT DOCUMENTS

D. 145,197	7/1946	Christopher	.....	D6/474	X
D. 183,171	7/1958	Krueger et al.	.....	D6/462	
D. 219,080	10/1970	Zellner	.....	D6/488	
D. 277,298	1/1985	Nelson	.....	D20/10	
3,290,813	12/1966	Rose, Sr.	.....	D20/10	X

OTHER PUBLICATIONS

Domus, Feb., 1984, p. 22, #1 shape in top center of page.

Primary Examiner—Bruce W. Dunkins

Assistant Examiner—Janice Seeger

Attorney, Agent, or Firm—Plante Strauss Vanderburgh & Connors

[57] CLAIM

The ornamental design for a auxiliary work surface for a table, as shown and described.

DESCRIPTION

FIG. 1 is a perspective view of a auxiliary work surface for a table showing our new design;

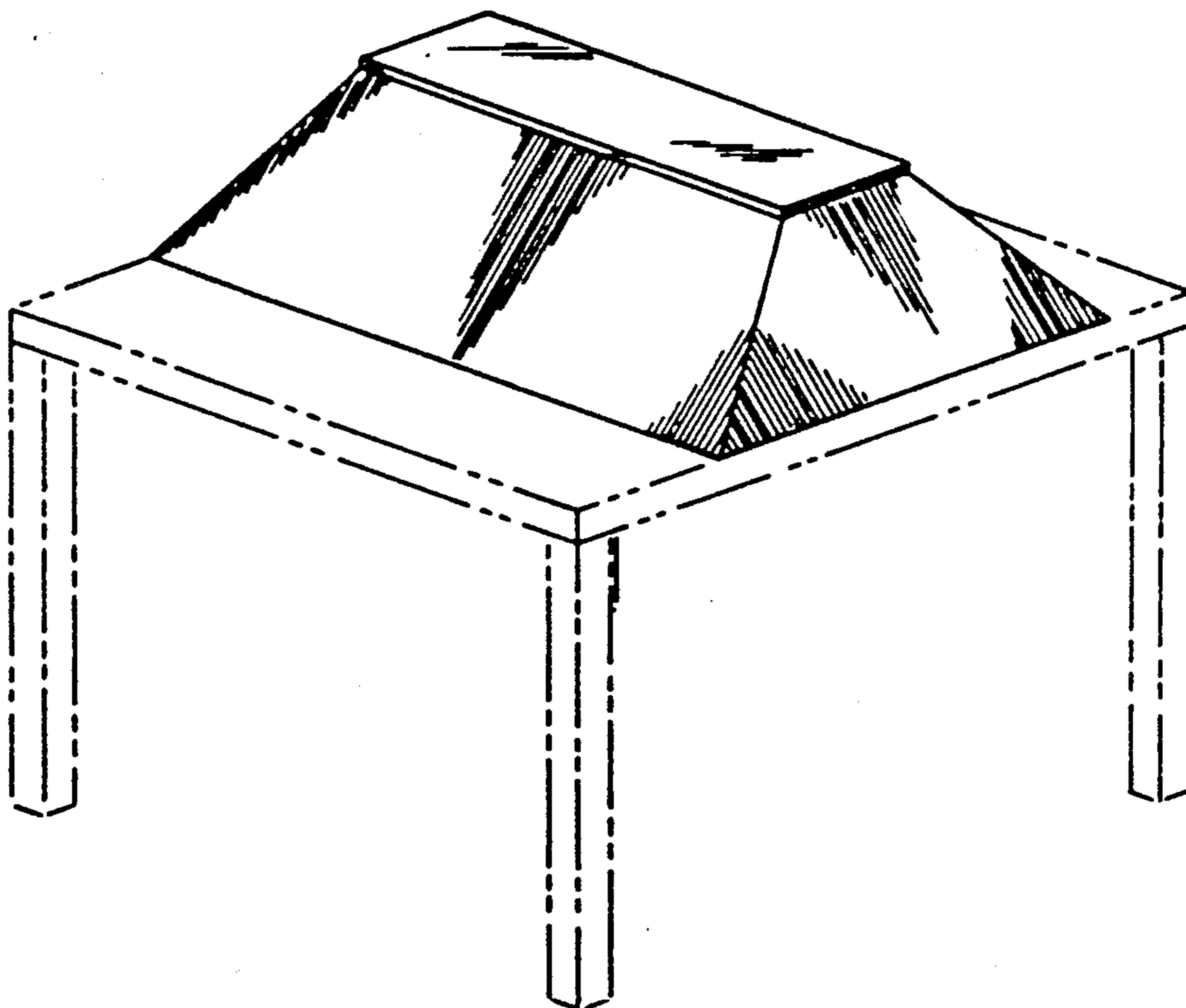
FIG. 2 is a side elevational view thereof, the opposite side being identical thereto;

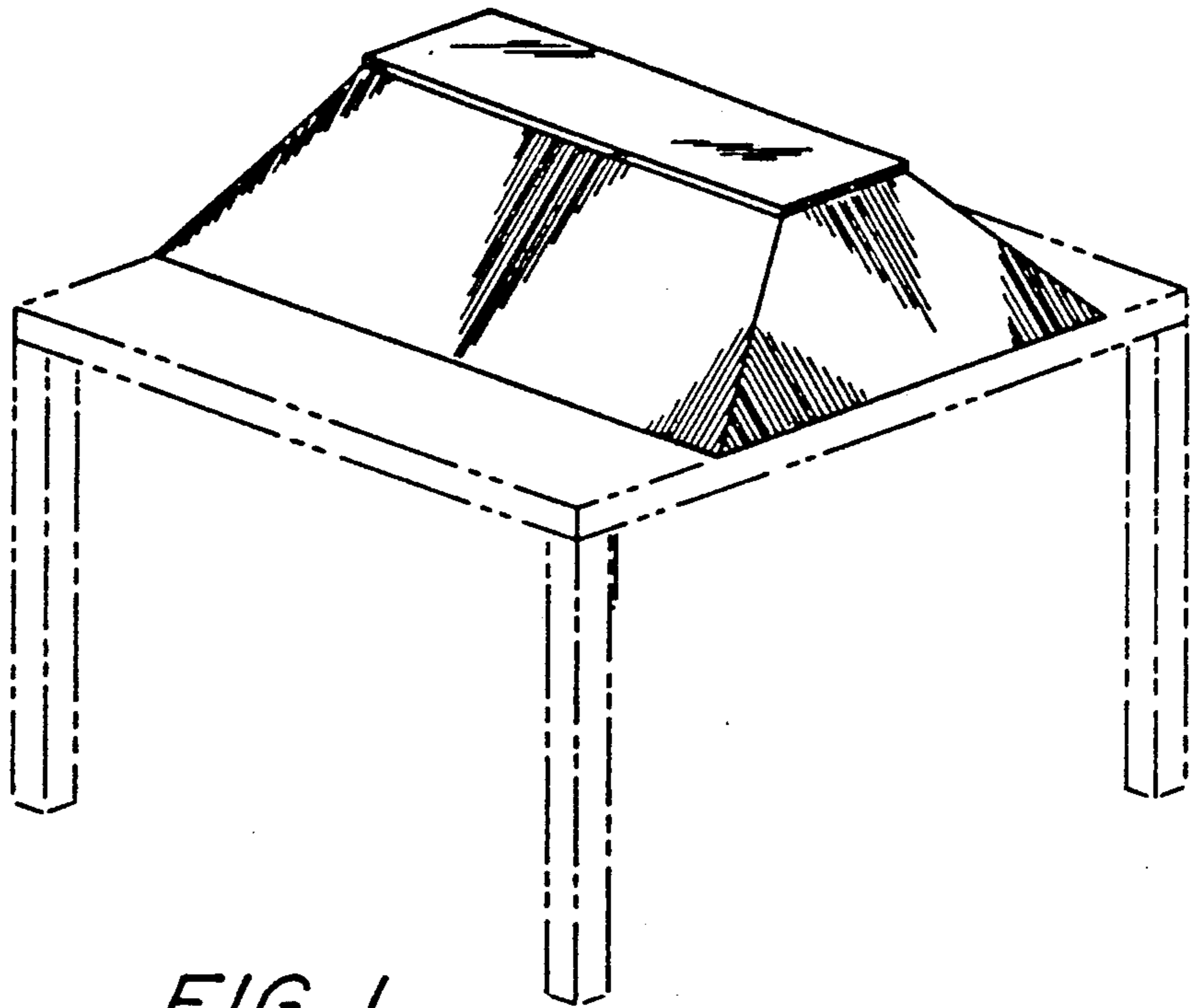
FIG. 3 is a top plan view thereof;

FIG. 4 is an end elevational view thereof, the opposite end being identical thereto; and

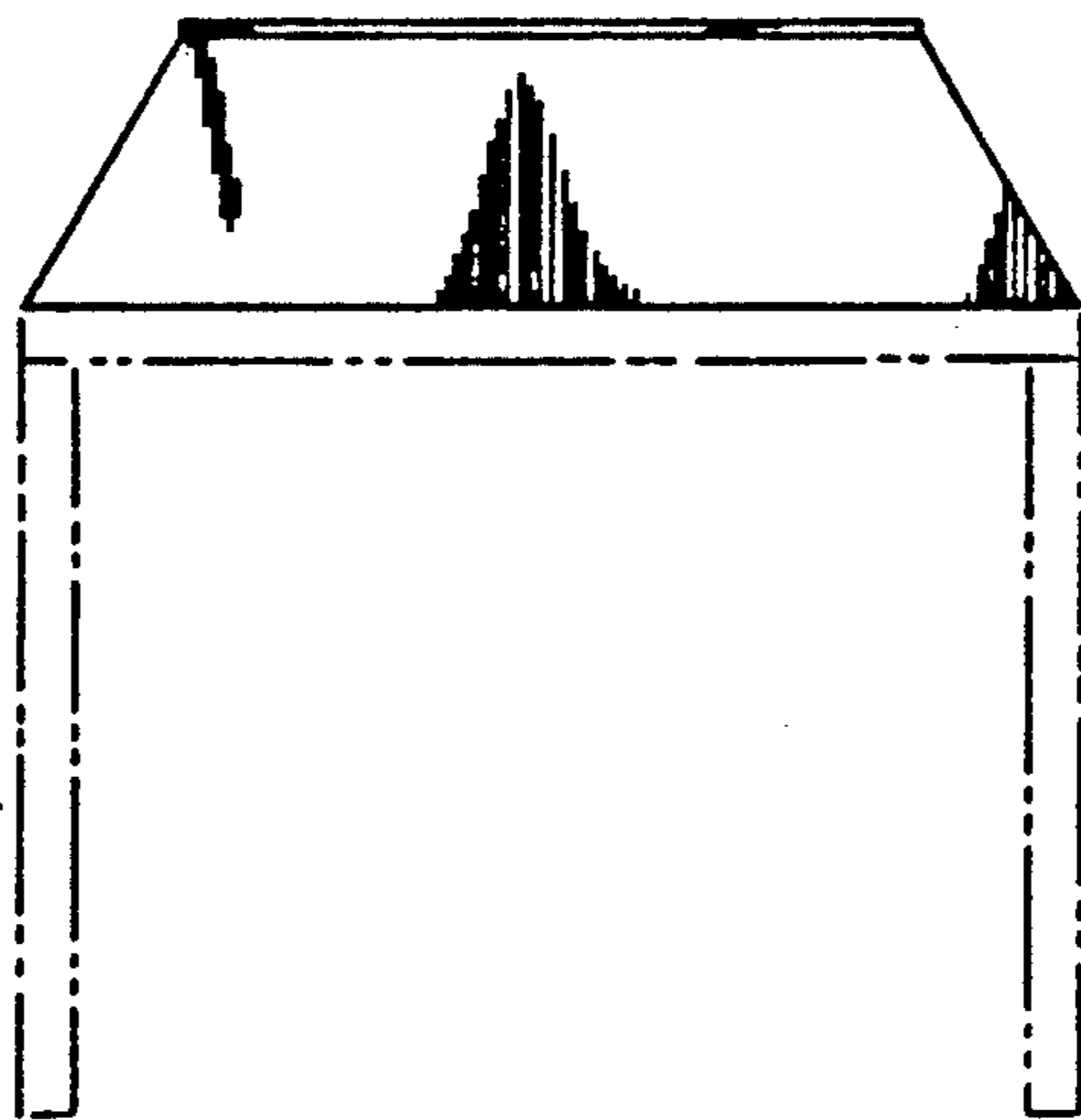
FIG. 5 is a bottom plan view thereof

The broken line showing of a table is for illustrative purposes only and forms no part of the claimed design.





*FIG. 1*



*FIG. 2*

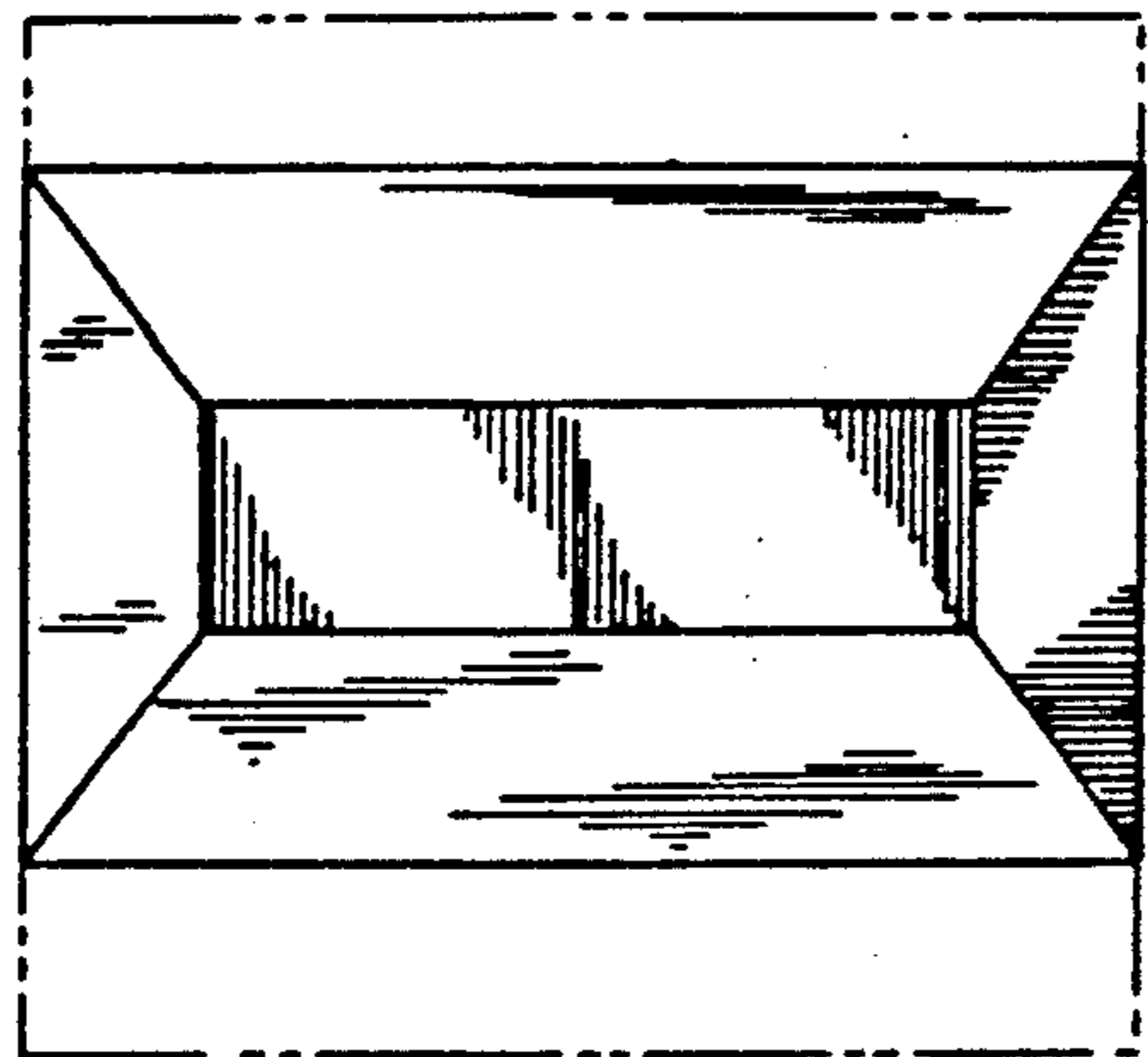


FIG. 3

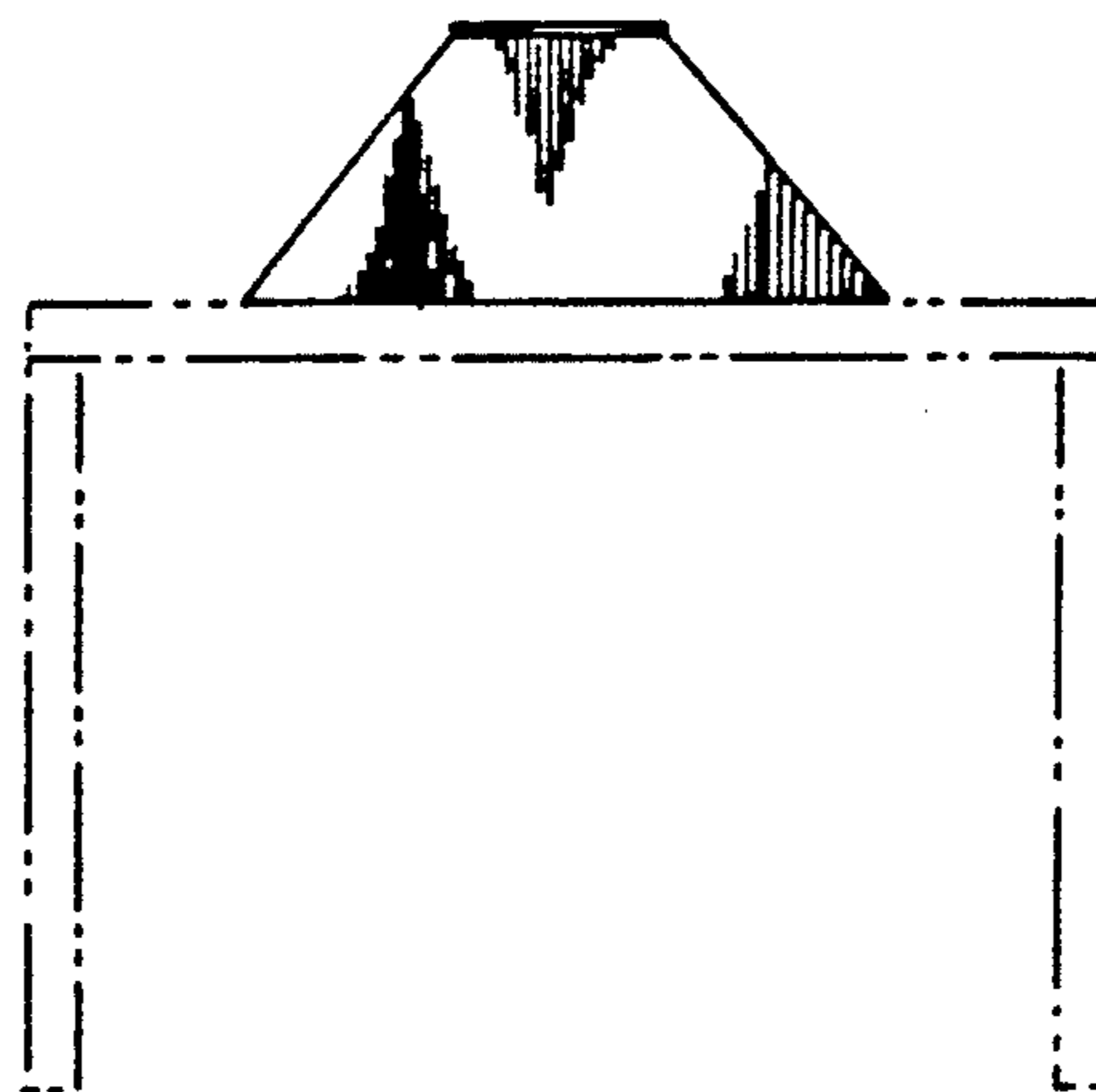


FIG. 4

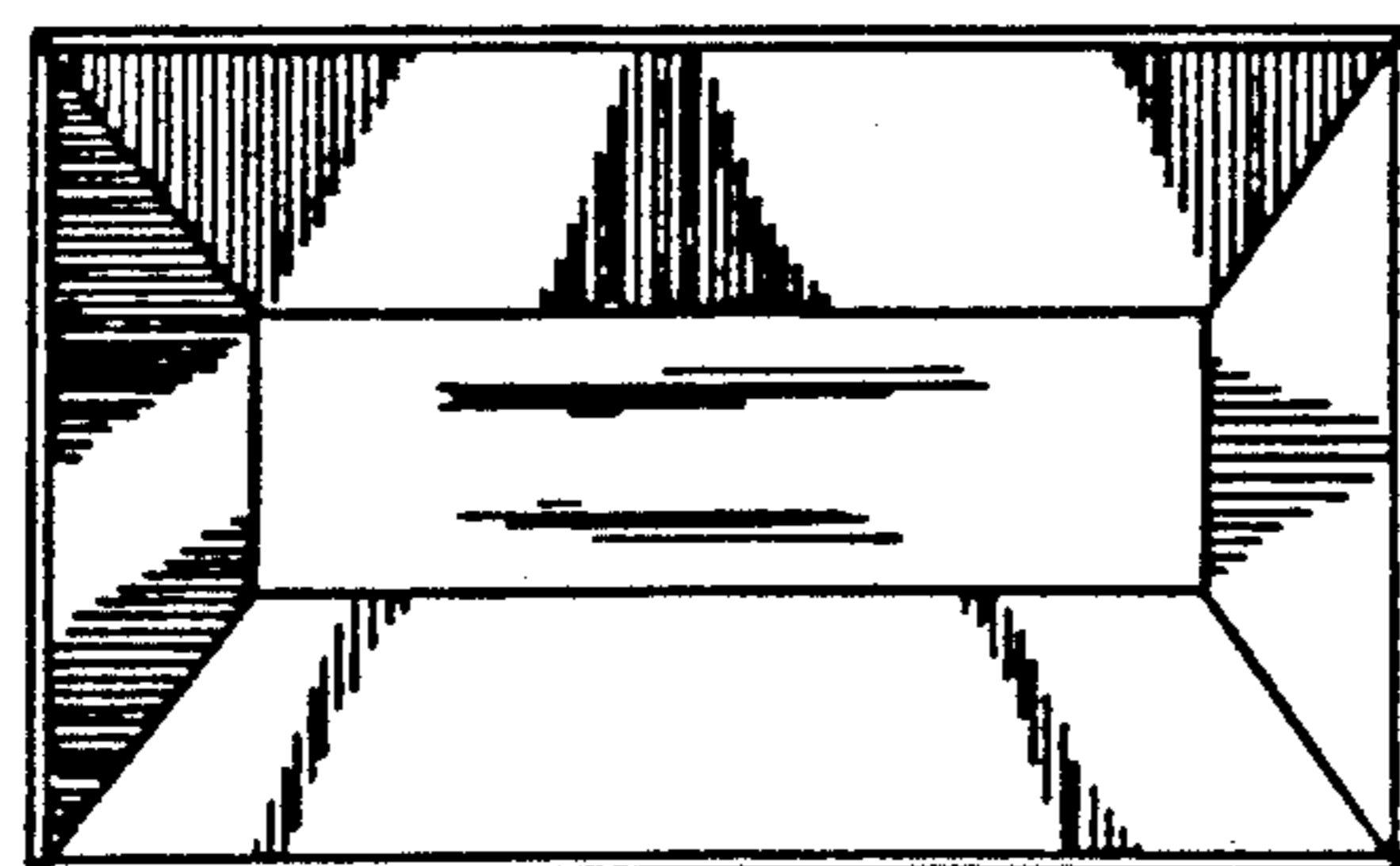


FIG. 5