

United States Patent [19]
Swartz

[11] Patent Number: Des. 318,193
[45] Date of Patent: ** Jul. 16, 1991

[54] APRON RACK

4,624,371 11/1986 Korth 211/4

[76] Inventor: Dennis Swartz, 36 Grove St.,
Merrimac, Mass. 01860

[**] Term: 14 Years

[21] Appl. No.: 214,132

[22] Filed: Jun. 30, 1988

[52] U.S. Cl. D6/410; D6/458

[58] Field of Search D6/409, 410, 411-415,
D6/455, 457-461, 462; 211/13, 4, 163, 207

[56] References Cited

U.S. PATENT DOCUMENTS

D. 134,110	10/1942	Bersin et al.	D6/458
D. 162,084	2/1951	Robinson, Jr.	D6/454
D. 168,143	11/1952	Cohen	D6/415
2,022,712	12/1935	Firle	211/163 X
4,351,441	9/1982	Schramm	211/207

OTHER PUBLICATIONS

"Sel-O-Rack", Cat. No. G10, p. 34; Rug Center #RG58-27, bottom left on page.

Primary Examiner—Carmen H. Vales-Lado
Attorney, Agent, or Firm—Herbert L. Bello

[57] CLAIM

The ornamental design for an apron rack, as shown and described.

DESCRIPTION

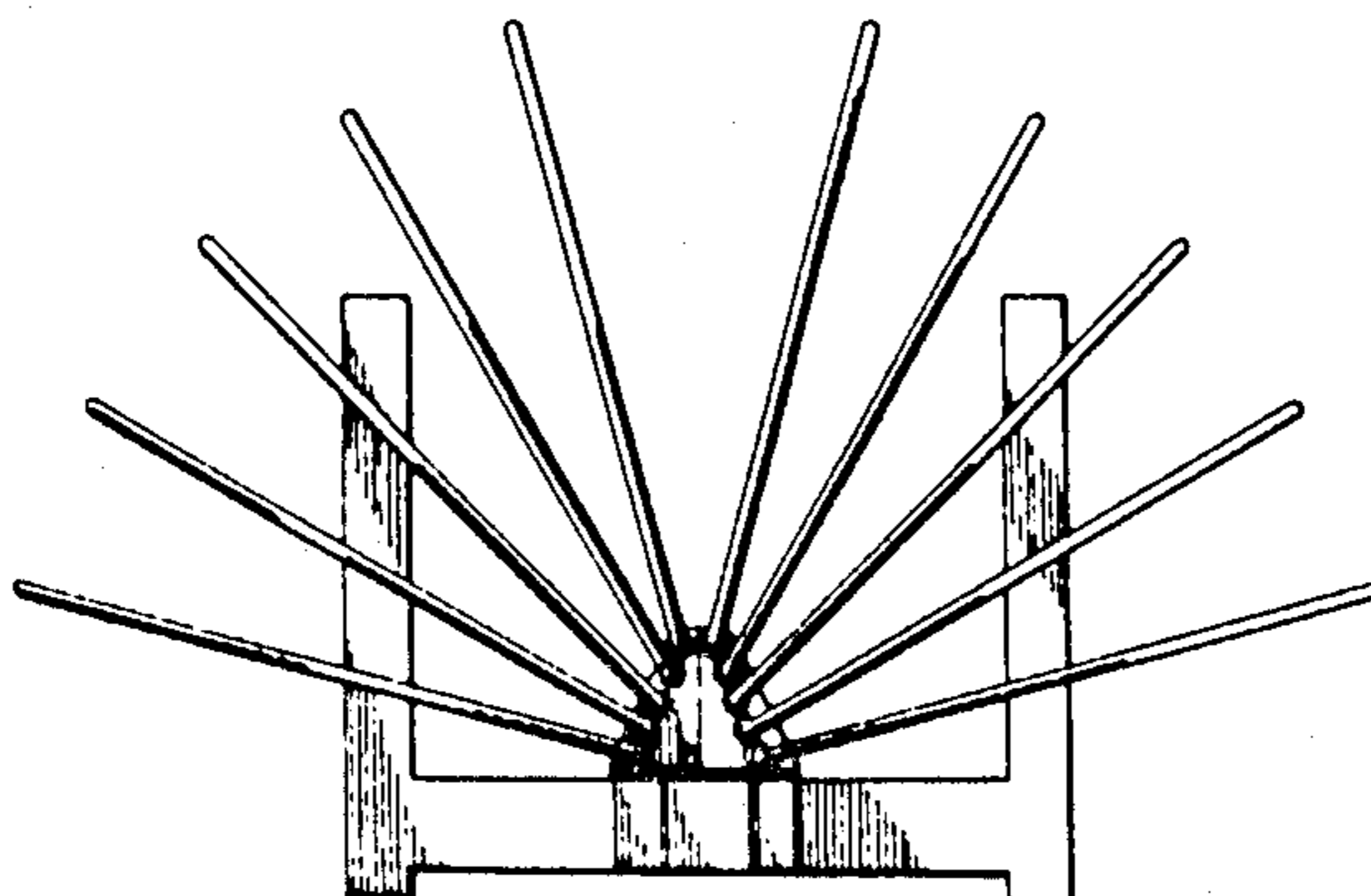
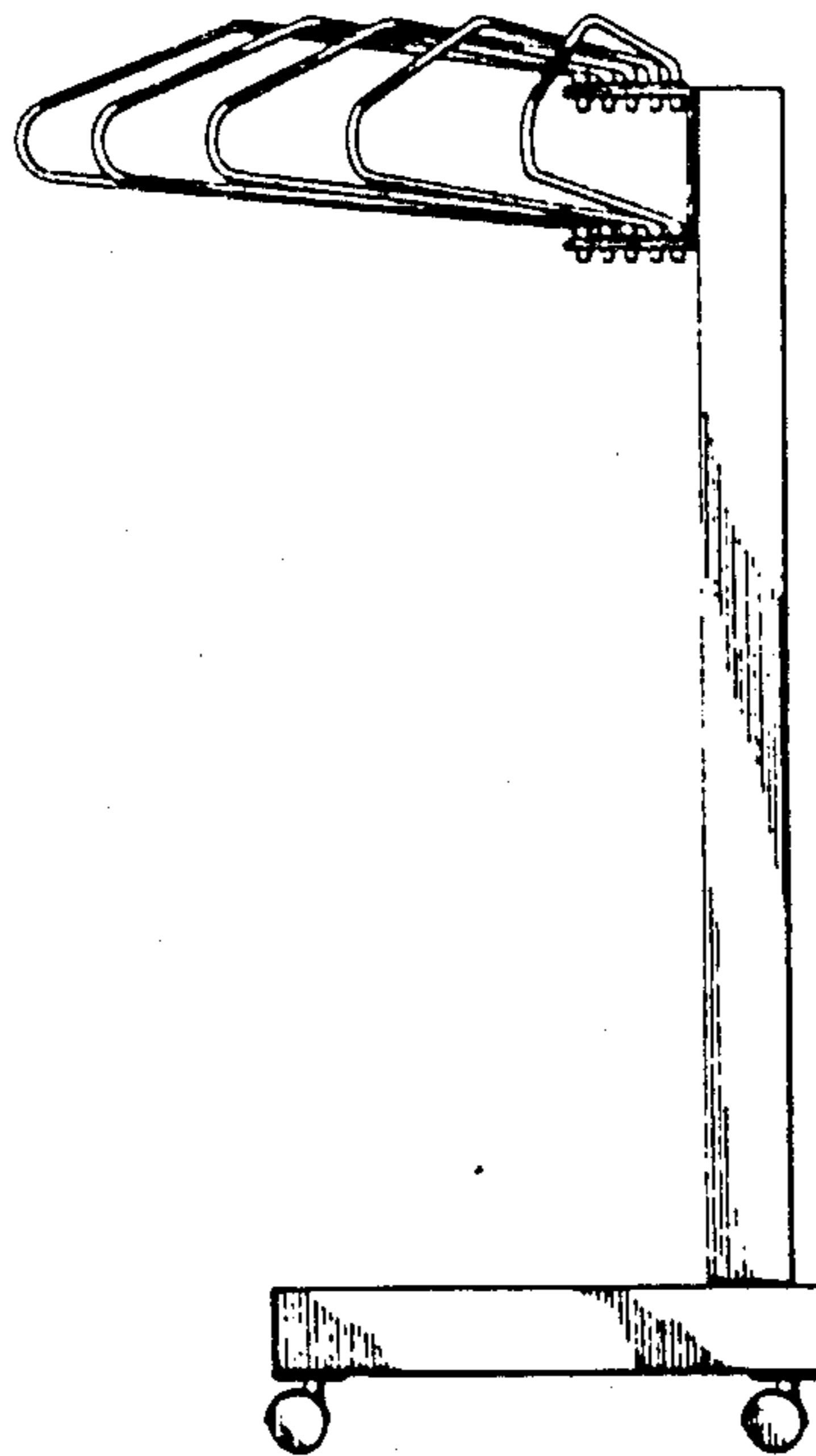
FIG. 1 is a front elevational view of an apron rack showing my new design;

FIG. 2 is a side elevational view, the opposite side being a mirror image thereof;

FIG. 3 is a top plan view thereof;

FIG. 4 is a rear elevational view thereof; and

FIG. 5 is a bottom plan view thereof.



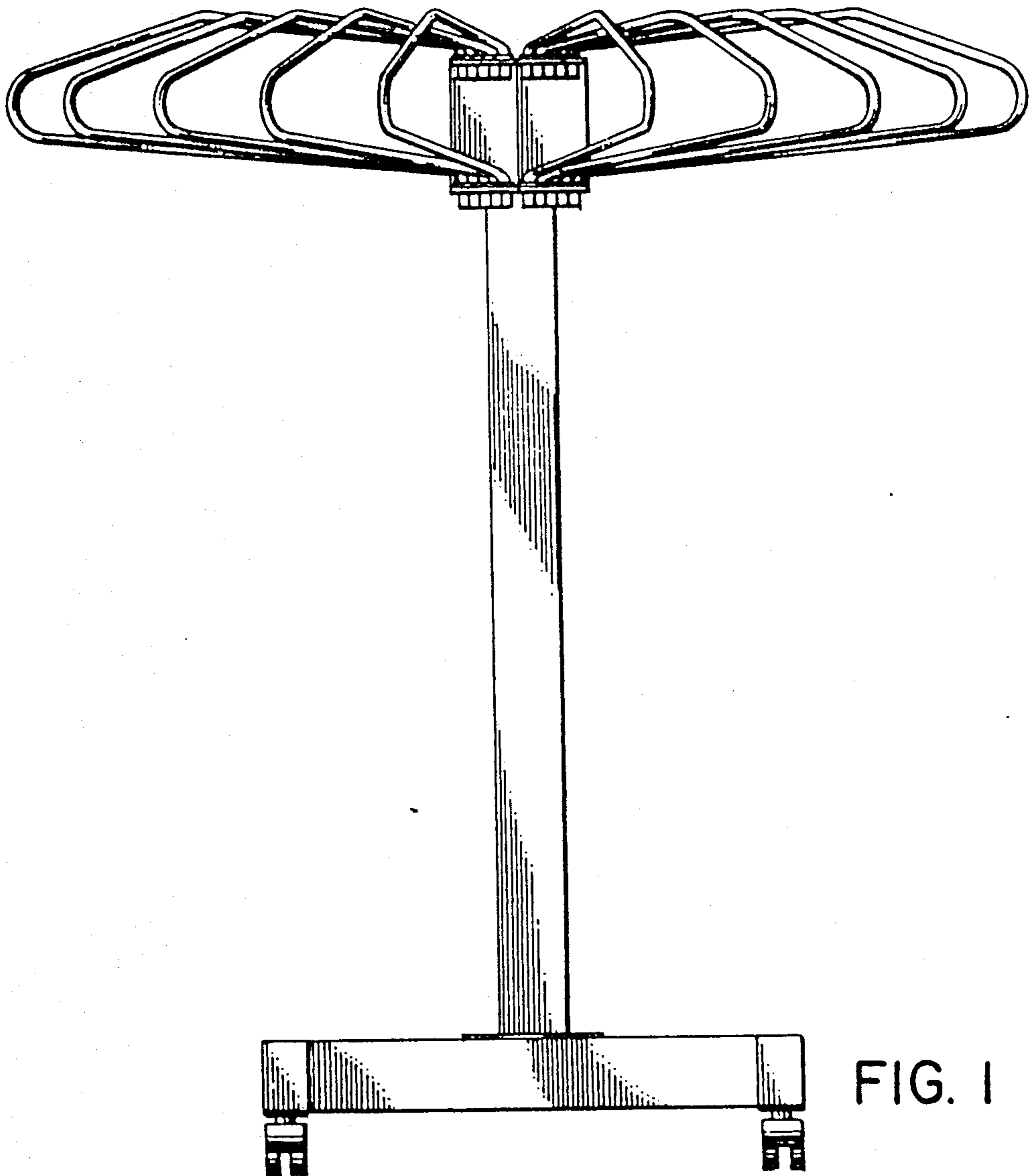


FIG. 1

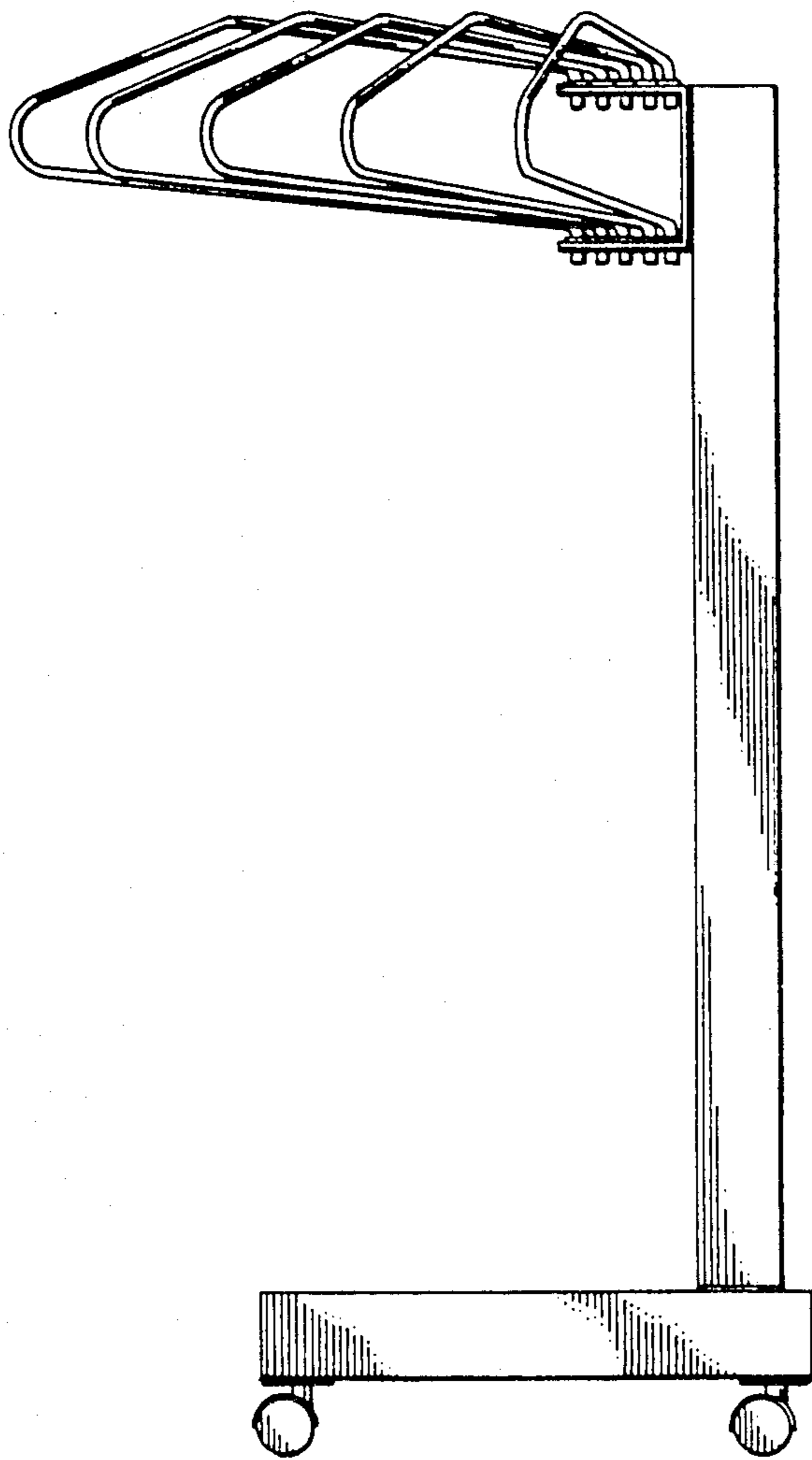


FIG. 2

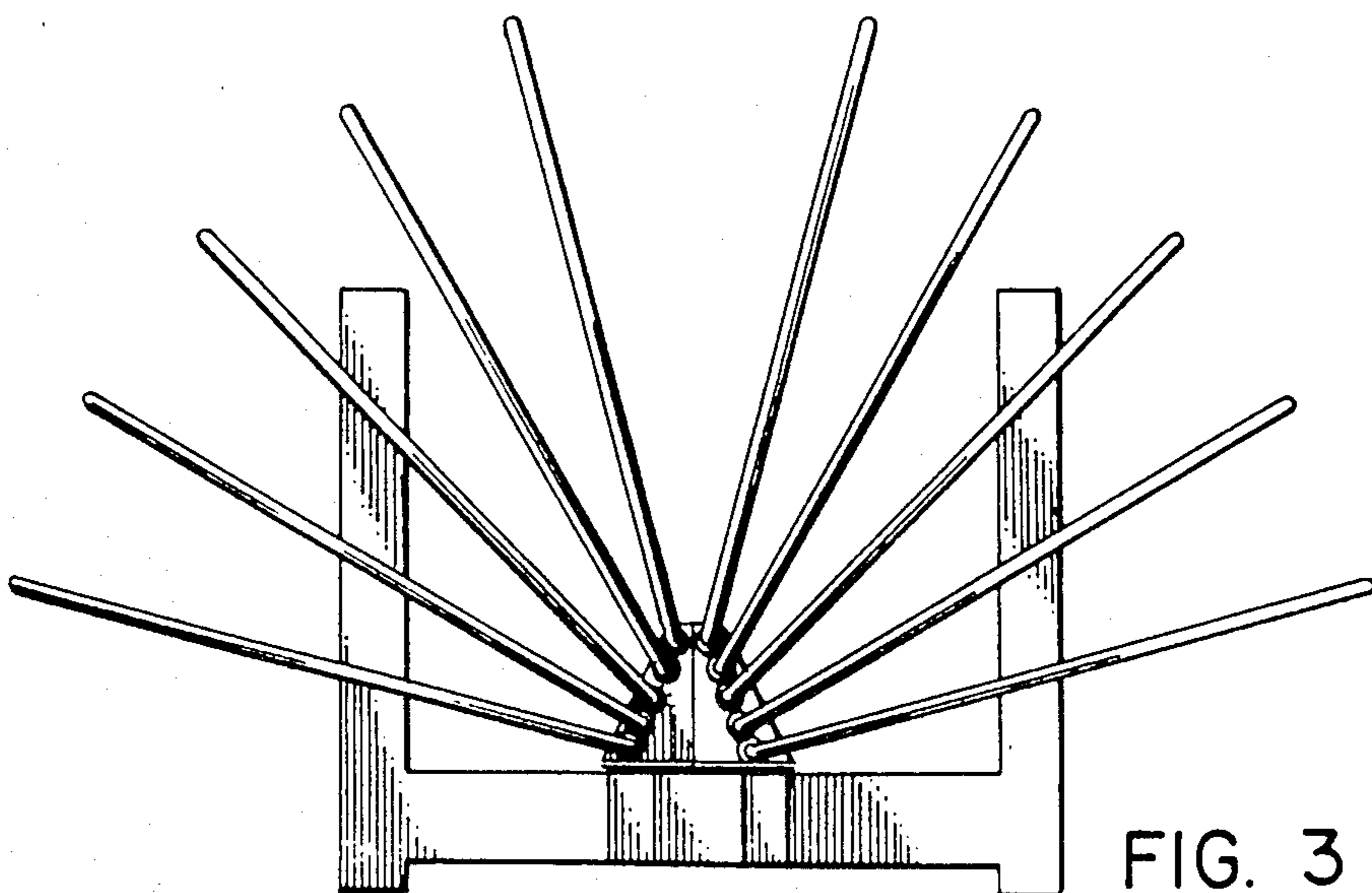


FIG. 3

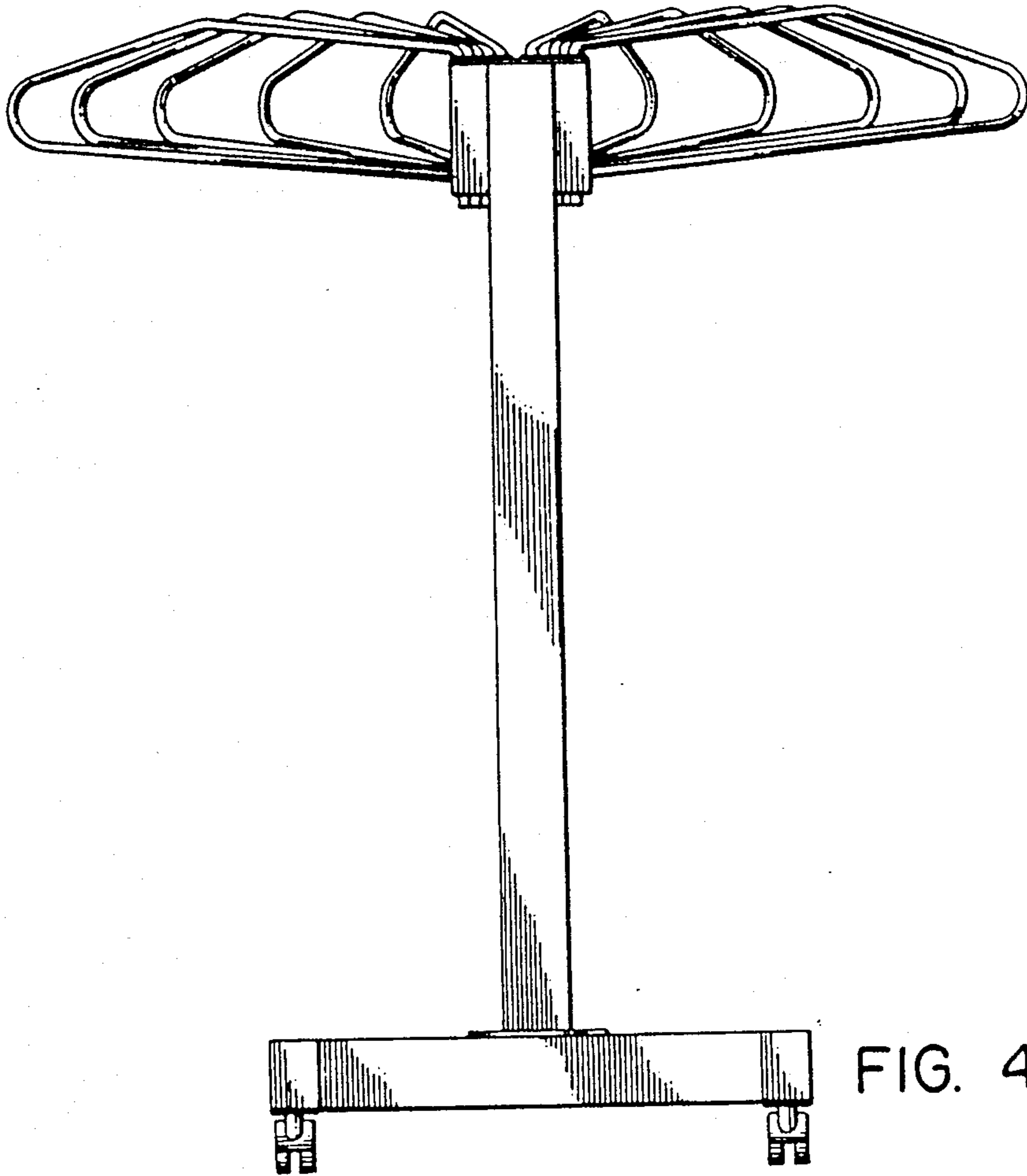


FIG. 4

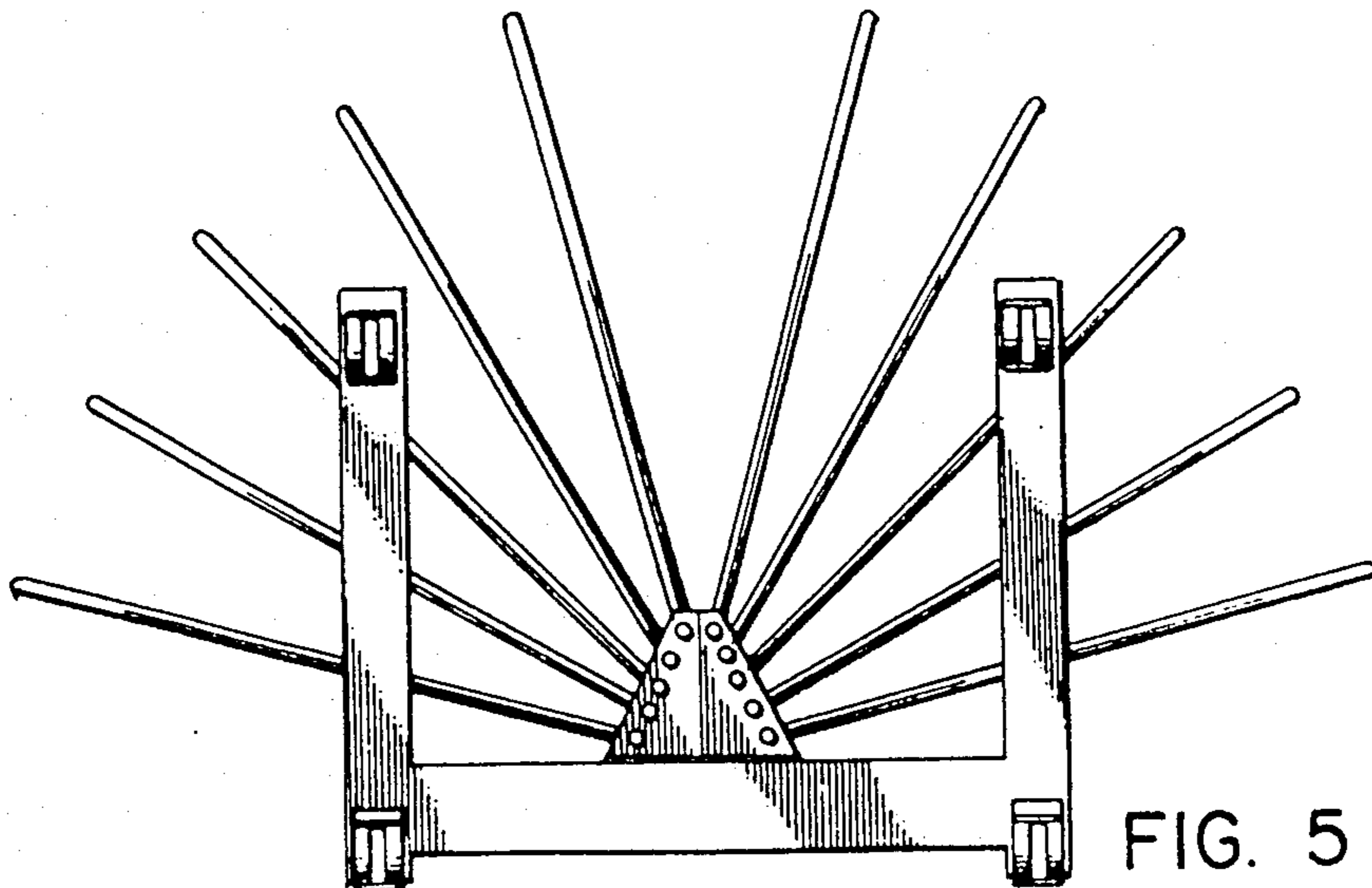


FIG. 5