

[54] TEST SAMPLE DISPENSER

[75] Inventor: Hernando Sanchez, New York, N.Y.

[73] Assignee: Revlon, Inc., New York, N.Y.

[**] Term: 14 Years

[21] Appl. No.: 98,663

[22] Filed: Sep. 18, 1987

[52] U.S. Cl. D6/408

[58] Field of Search D6/408, 512, 515, 517, D6/518, 519, 520, 473, 474; 211/13, 49.1, 51, 52, 55, 59.2, 87, 88, 90, 128; 221/45, 155, 191, 194, 282, 26; 312/35, 42, 45, 72, 73

[56] References Cited

U.S. PATENT DOCUMENTS

- D. 103,869 3/1937 Follett D6/473
- D. 151,988 12/1948 Hayman D6/408 X
- D. 186,747 11/1959 Schuett D6/408
- D. 277,154 1/1985 Nasgowitz D6/408
- 1,122,456 12/1914 Woods .
- 1,652,402 12/1927 Friedman .
- 2,221,213 11/1940 Borden .
- 2,274,238 2/1942 Henderson et al. .
- 2,343,064 2/1944 Kjorsvik .
- 2,574,565 11/1951 Hough et al. .
- 2,758,710 8/1956 Arens .
- 3,007,619 11/1961 Burcz .
- 3,088,640 5/1963 Kunsch .
- 3,258,017 6/1966 Albert .
- 3,380,578 4/1968 Sparks .
- 3,386,619 6/1968 Douglas .
- 3,485,349 12/1969 Chaney, Jr. .
- 3,494,505 2/1970 Huebner et al. .
- 3,674,176 7/1972 Sagi 221/26 X
- 3,698,600 10/1972 Foote .
- 3,709,403 1/1973 Harriman .
- 3,835,992 9/1974 Adams, IV .
- 3,858,722 1/1975 Haas .

- 3,861,560 1/1975 Entwistle et al. .
- 3,885,724 5/1975 Ehrlund .
- 3,964,638 6/1976 Dimauro .
- 3,984,030 10/1976 Morini .
- 4,032,004 6/1977 Coates .
- 4,111,333 9/1978 Norgaard .
- 4,121,004 10/1978 Ehrlund .
- 4,150,741 4/1979 Rubin .
- 4,274,550 1/1981 Feldstein .
- 4,294,357 10/1981 Stevens et al. .
- 4,387,831 6/1983 McNally .
- 4,437,579 3/1984 Obland .
- 4,550,857 11/1985 Castner, Sr. et al. .
- 4,576,311 3/1986 Horton et al. .

FOREIGN PATENT DOCUMENTS

- 1511865 10/1966 Fed. Rep. of Germany .

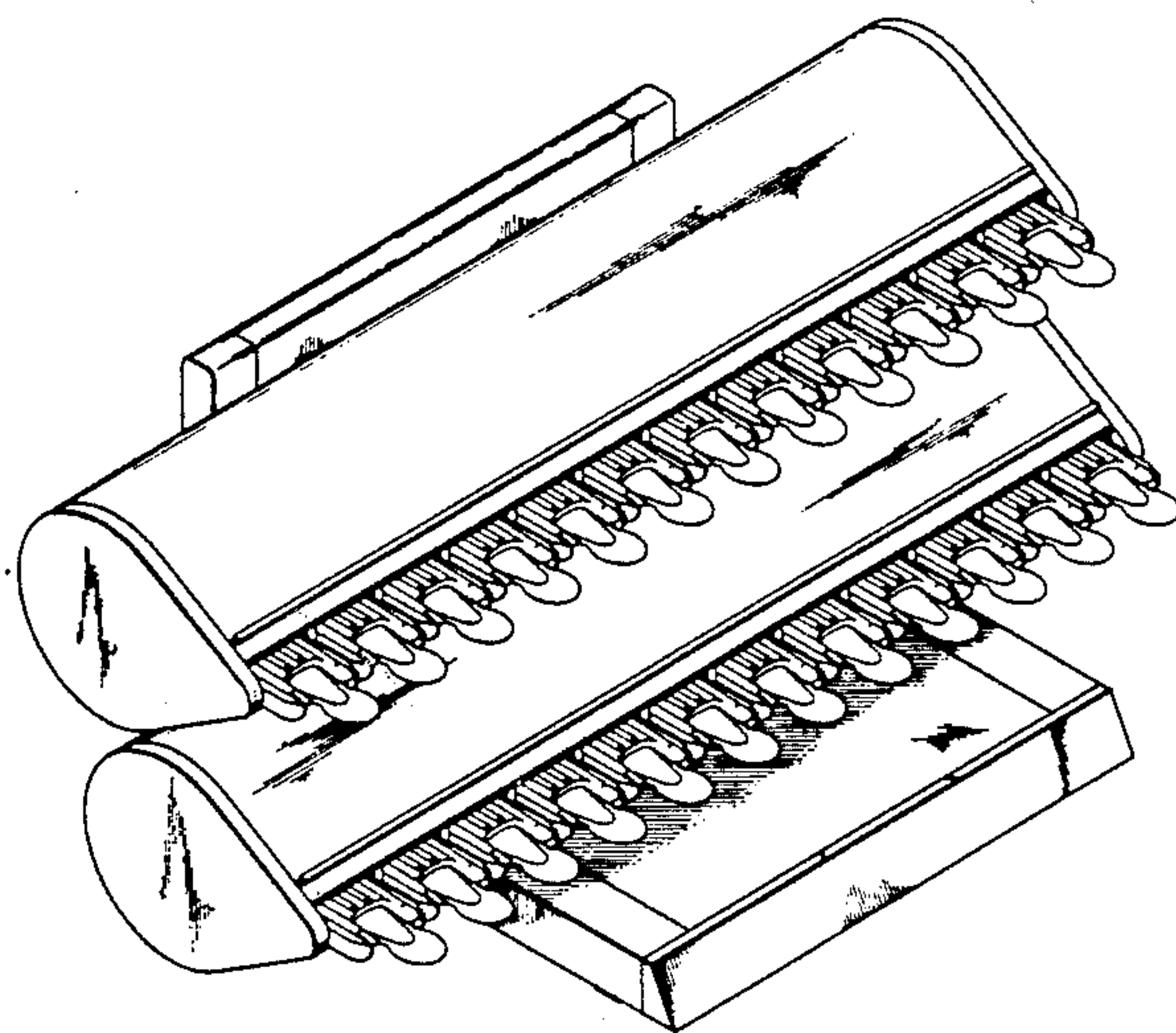
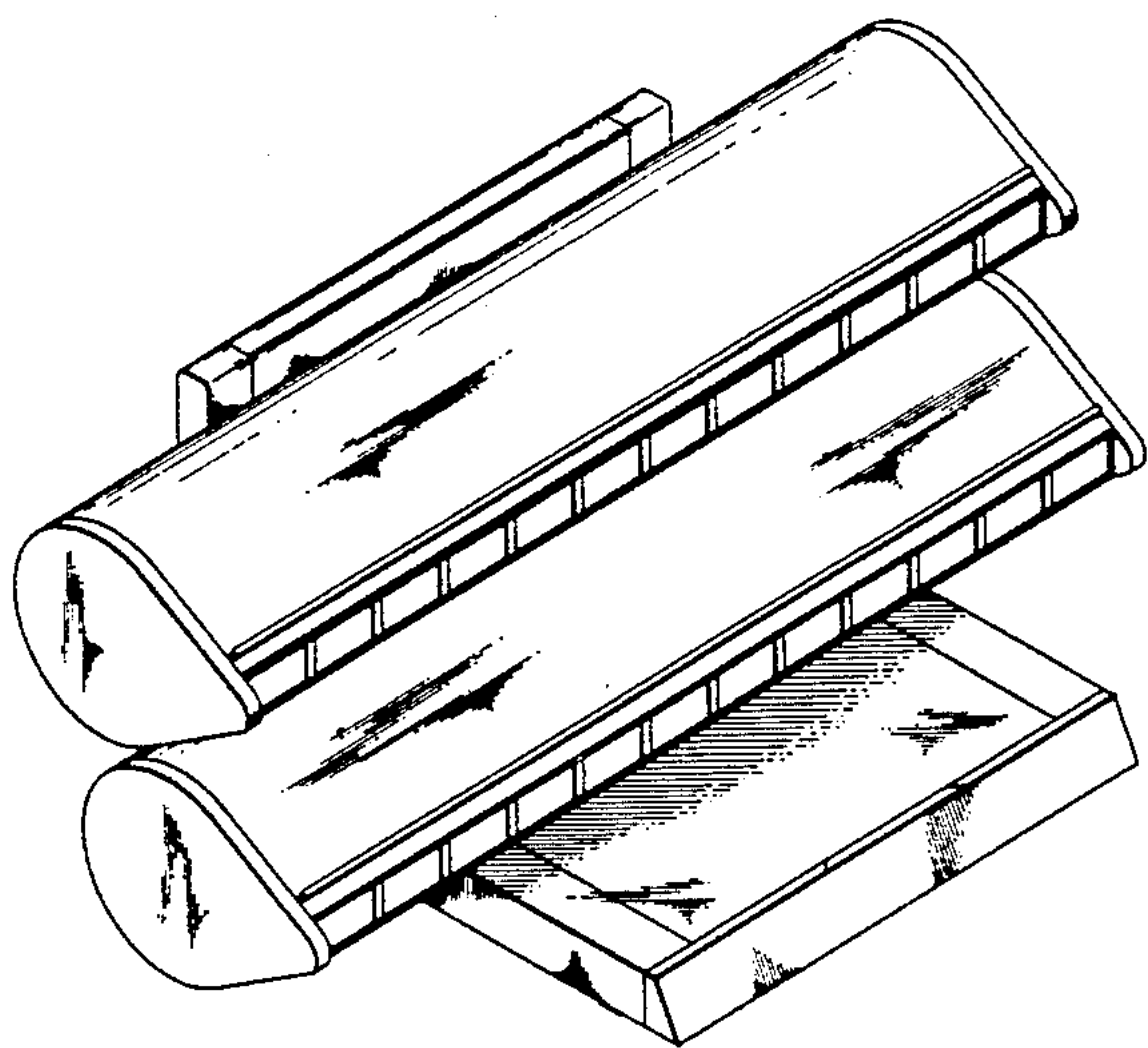
Primary Examiner—Carmen H. Vales-Lado
 Attorney, Agent, or Firm—Julie Blackburn

[57] CLAIM

The ornamental design for a test sample dispenser, as shown.

DESCRIPTION

FIG. 1 is a perspective view of a test sample dispenser showing my new design; FIG. 2 is a front elevational view thereof; FIG. 3 is a rear elevational view thereof; FIG. 4 is a side elevational view thereof; FIG. 5 is a top plan view thereof; FIG. 6 is a bottom plan view thereof; FIG. 7 is perspective view of a modified embodiment of a test sample dispenser shown in FIG. 1; FIG. 8 is a front elevational view thereof; FIG. 9 is a rear elevational view thereof; FIG. 10 is a side elevational view thereof; FIG. 11 is a top plan view thereof; and FIG. 12 is a bottom plan view thereof.



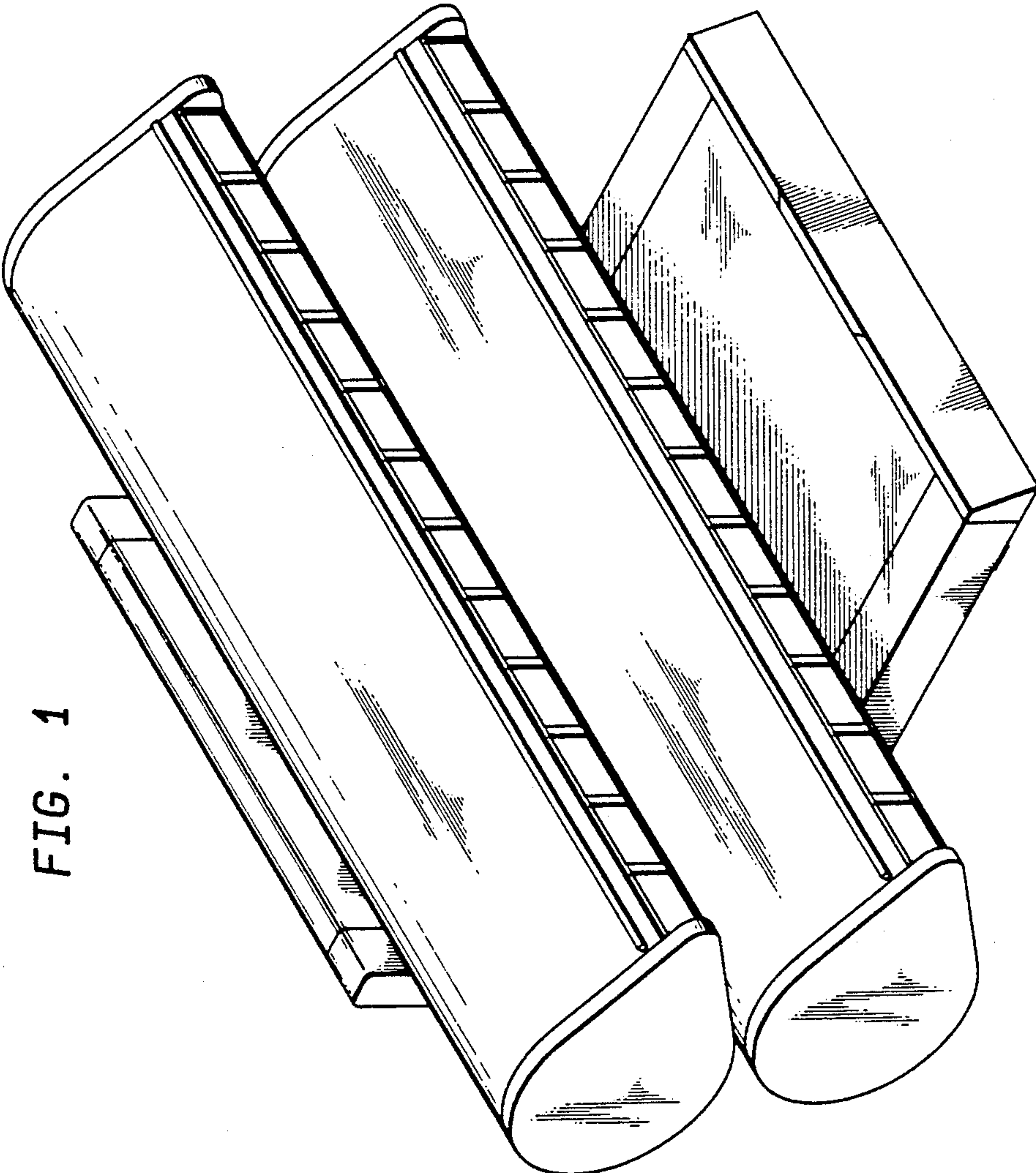


FIG. 1

FIG. 2

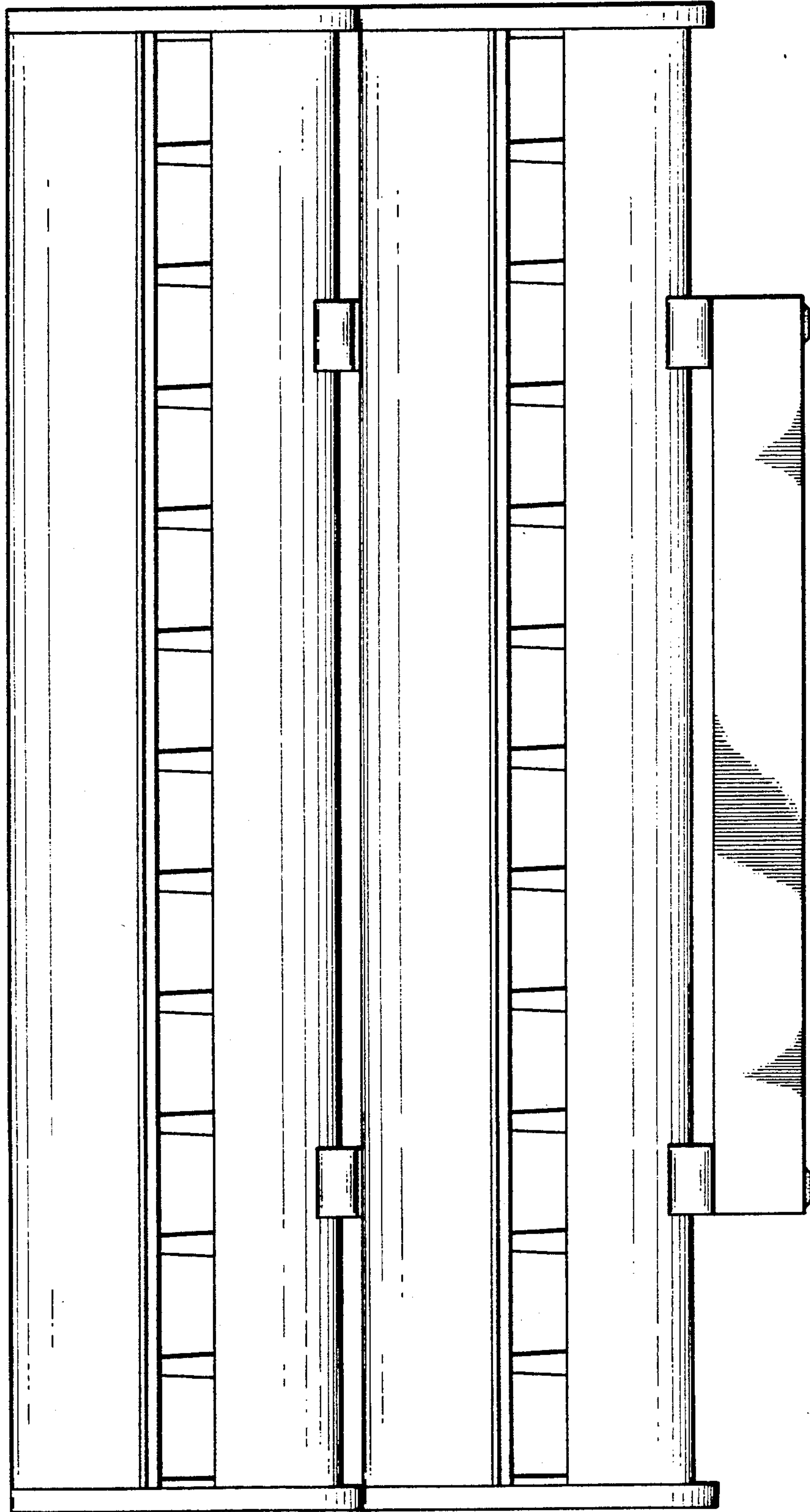


FIG. 3

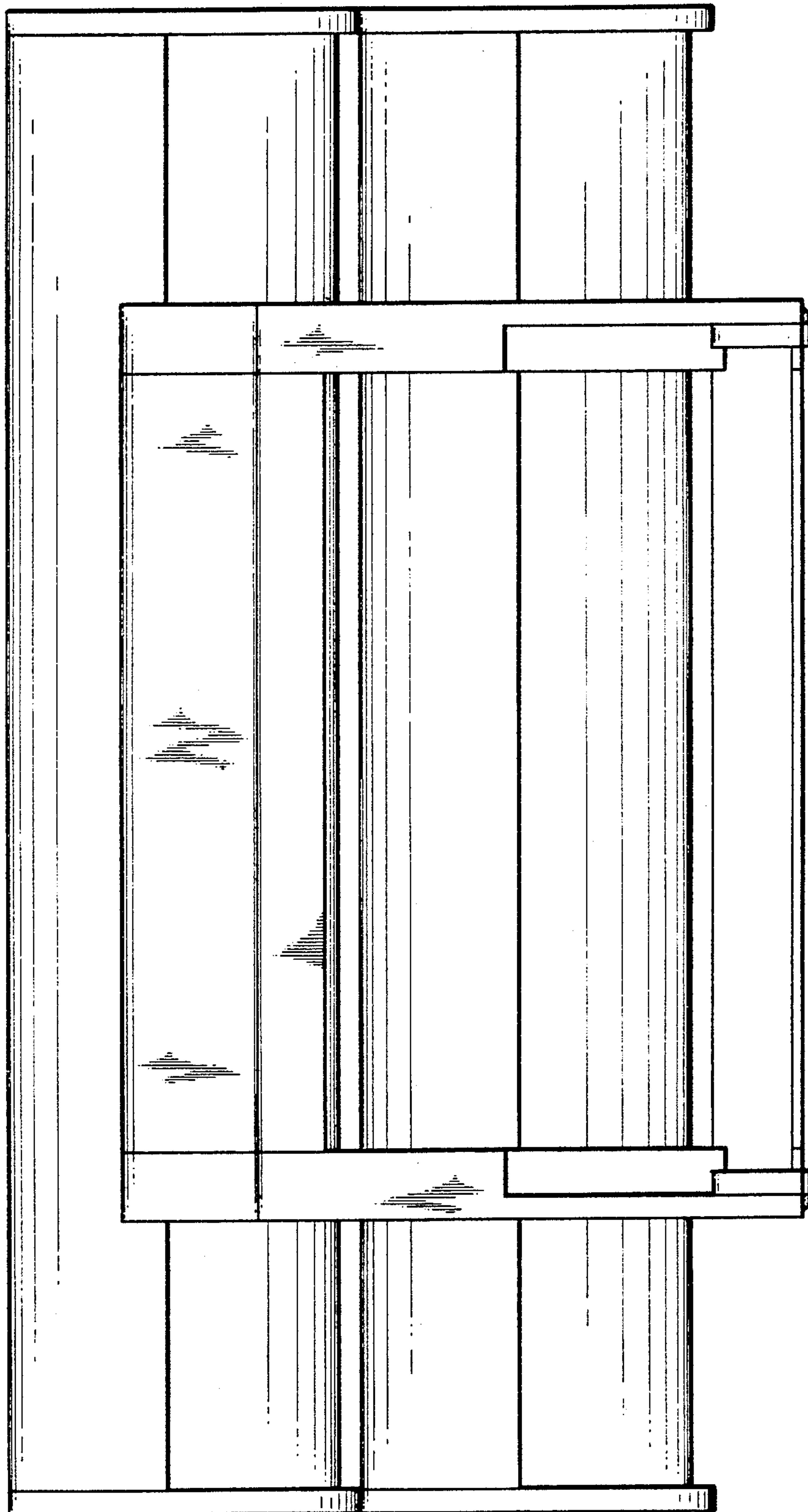


FIG. 4

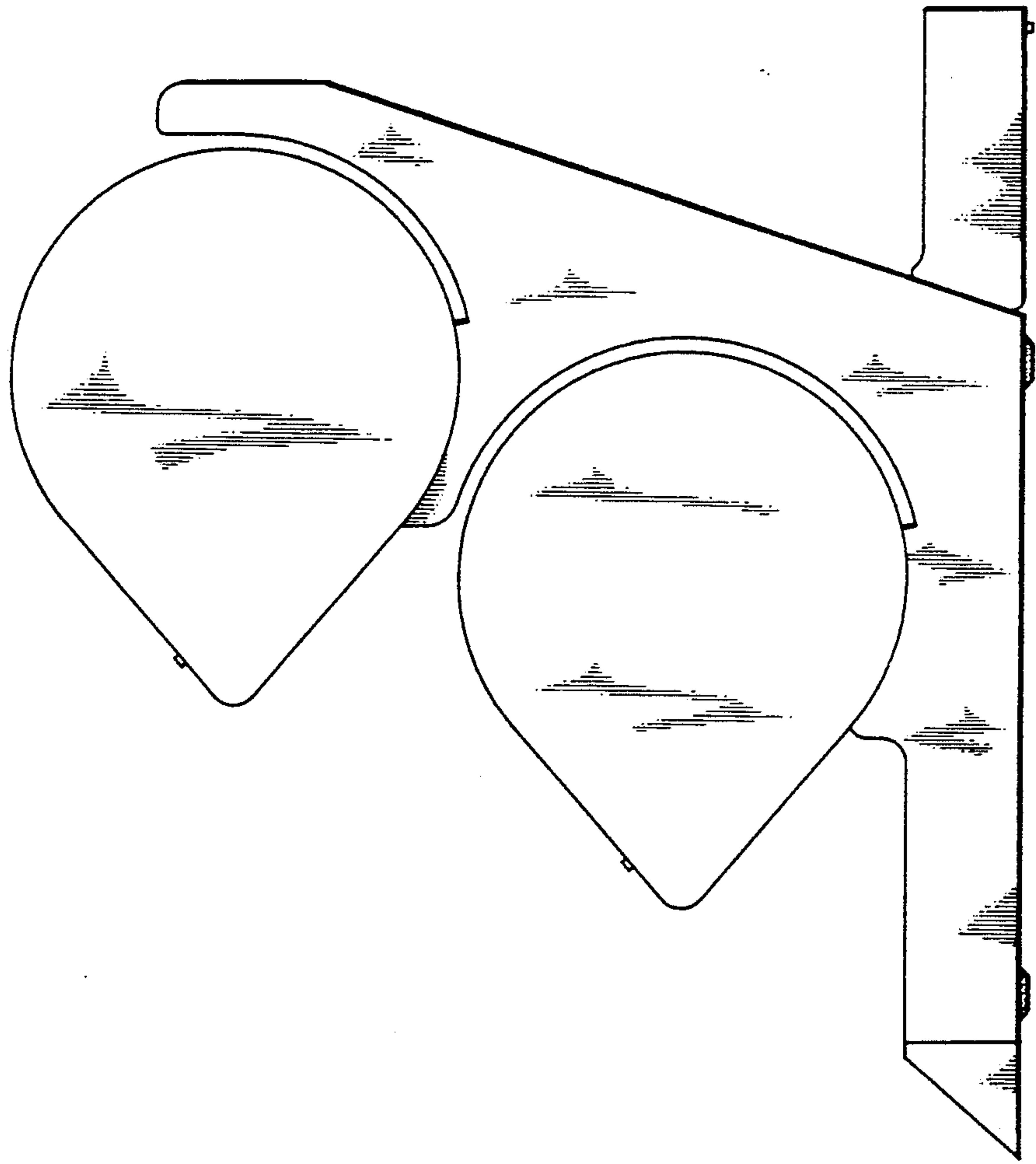
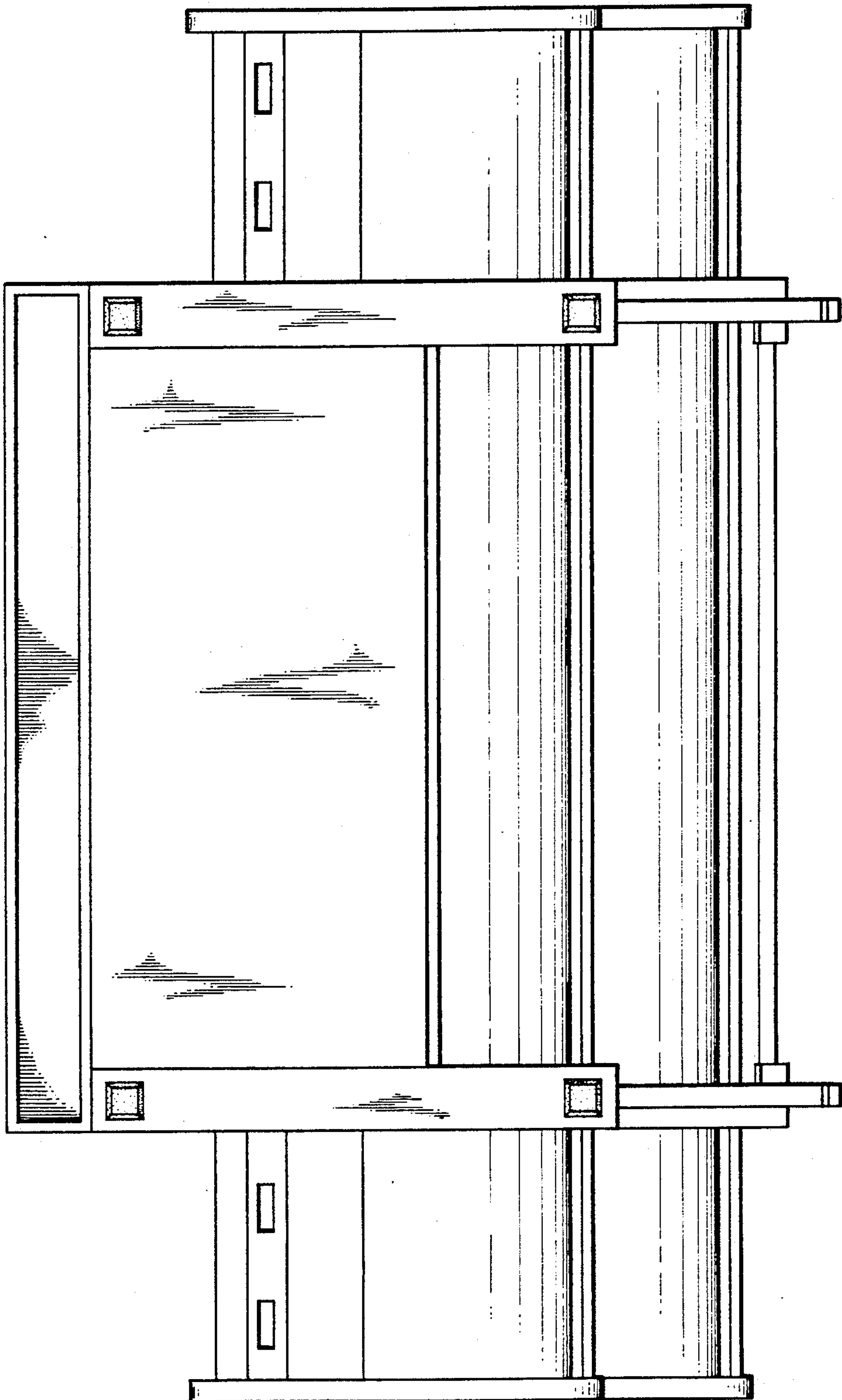


FIG. 5



FIG. 6



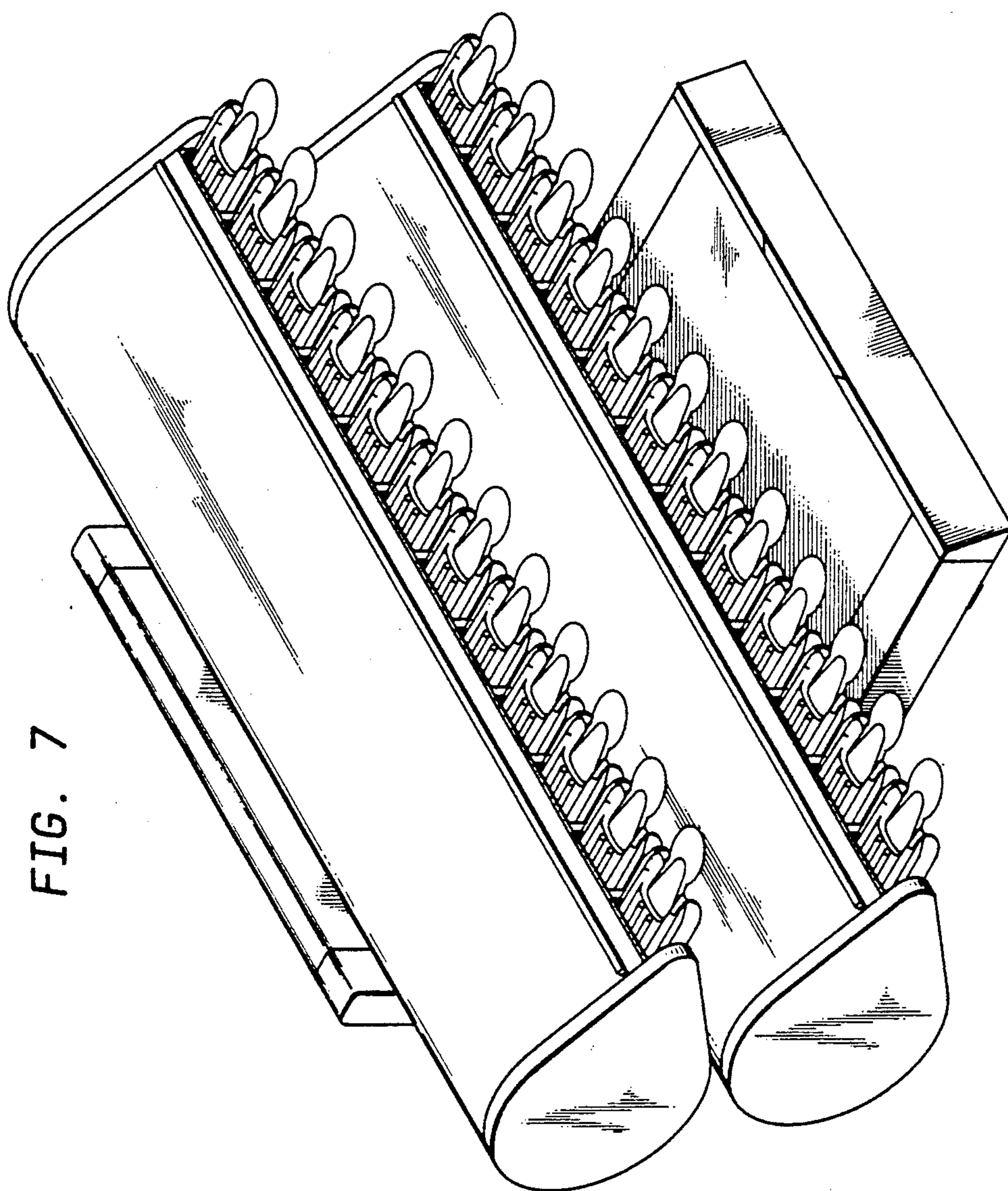


FIG. 7

FIG. 8

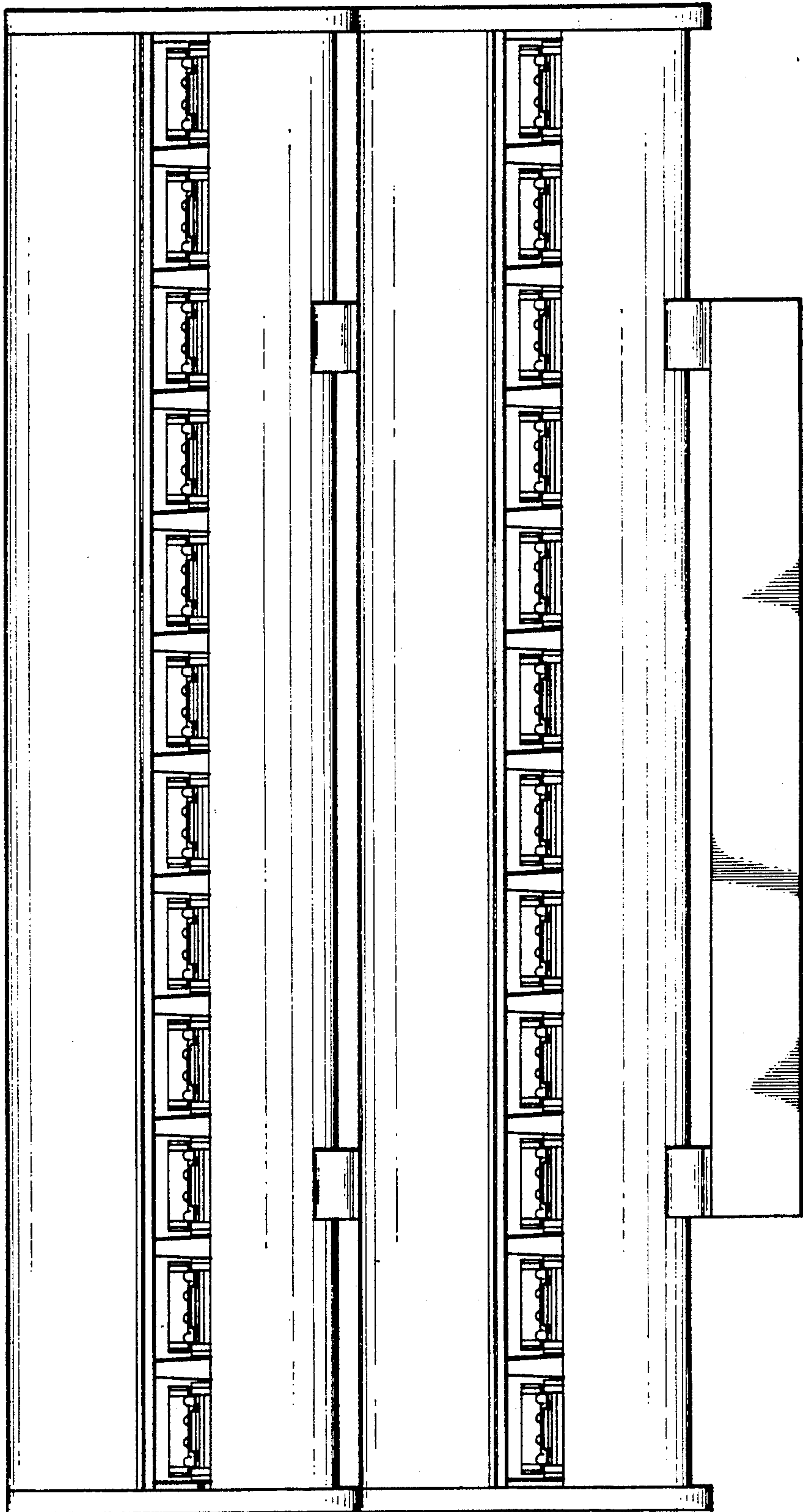


FIG. 9

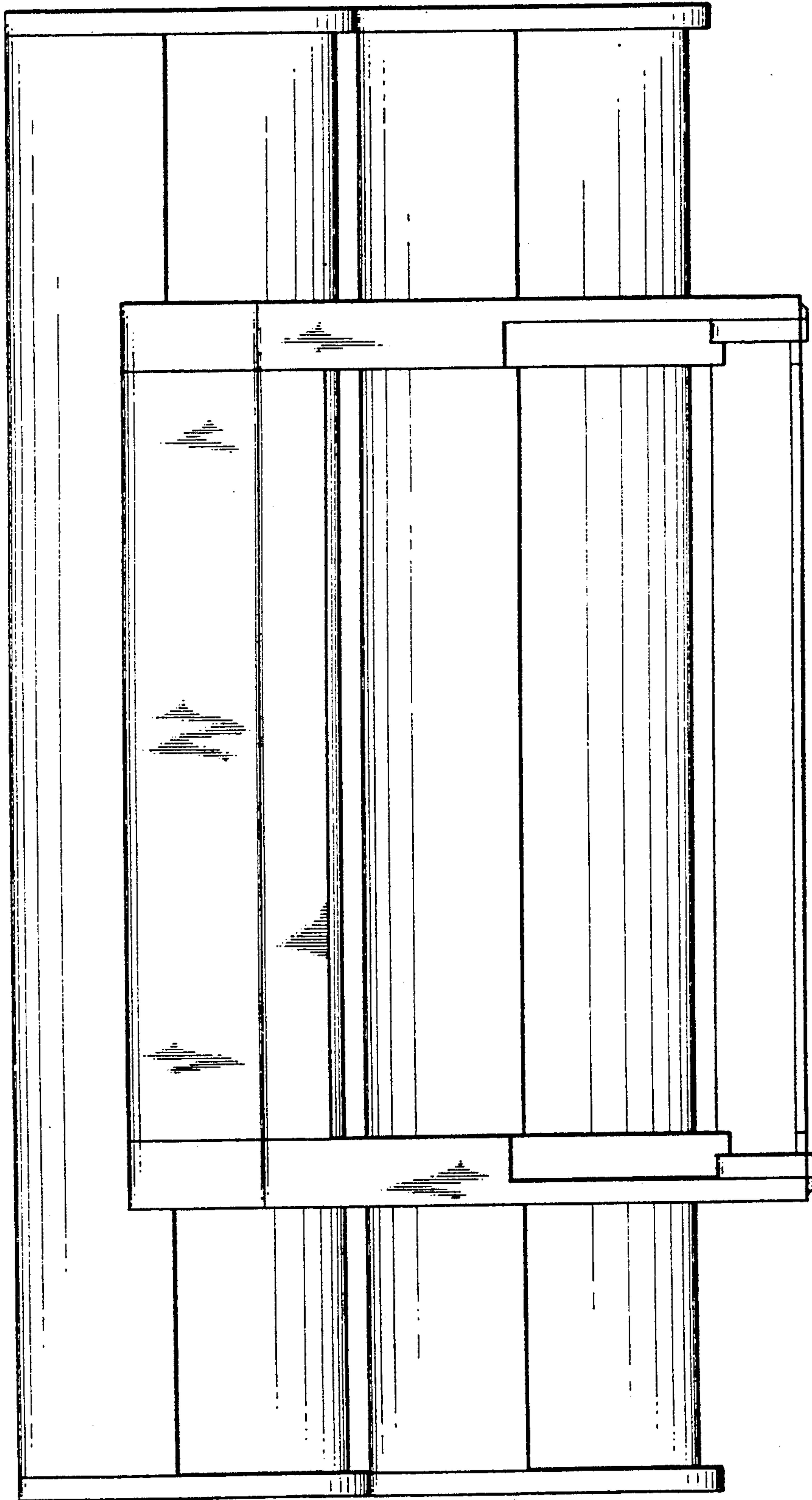


FIG. 10

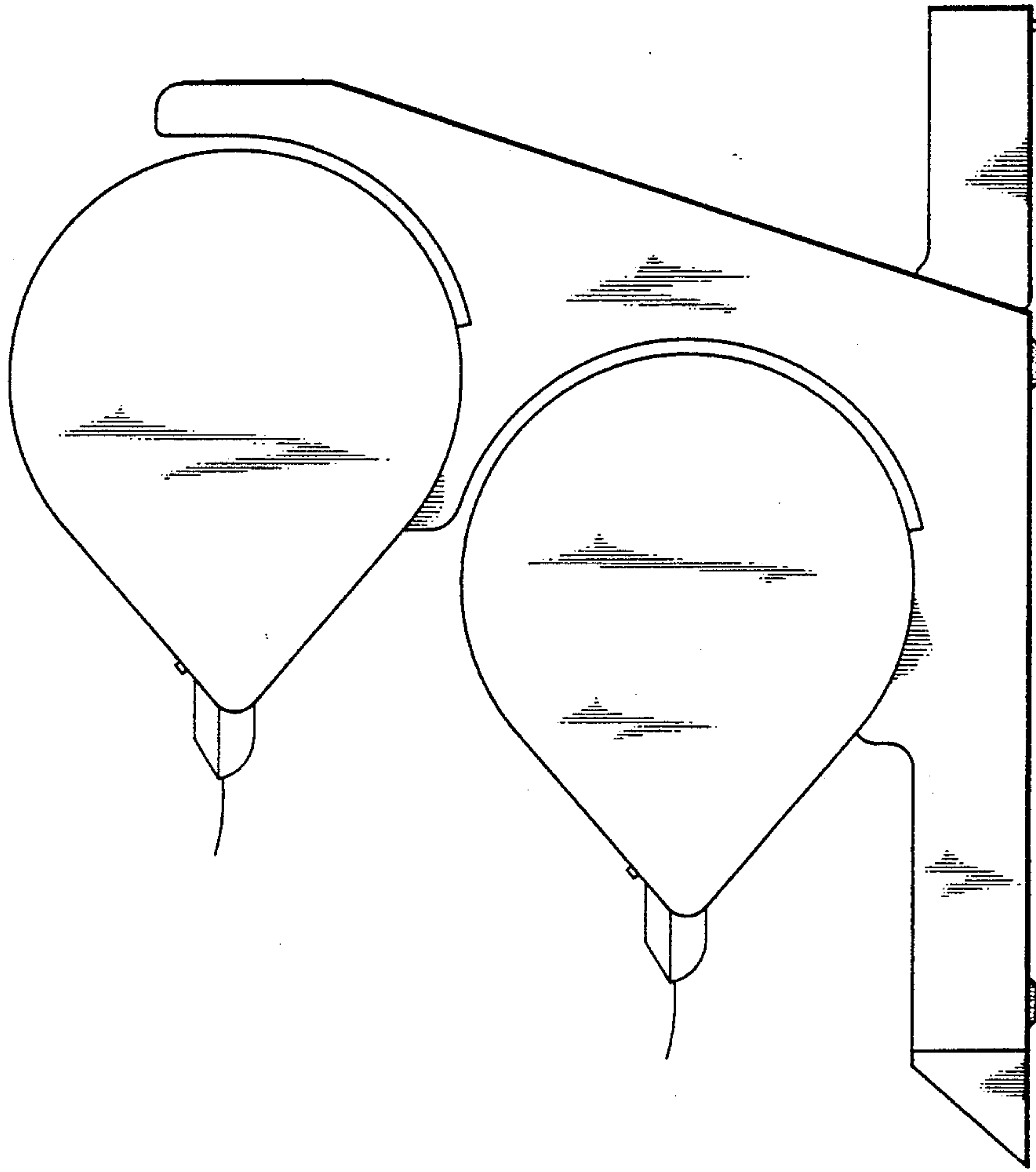


FIG. 11

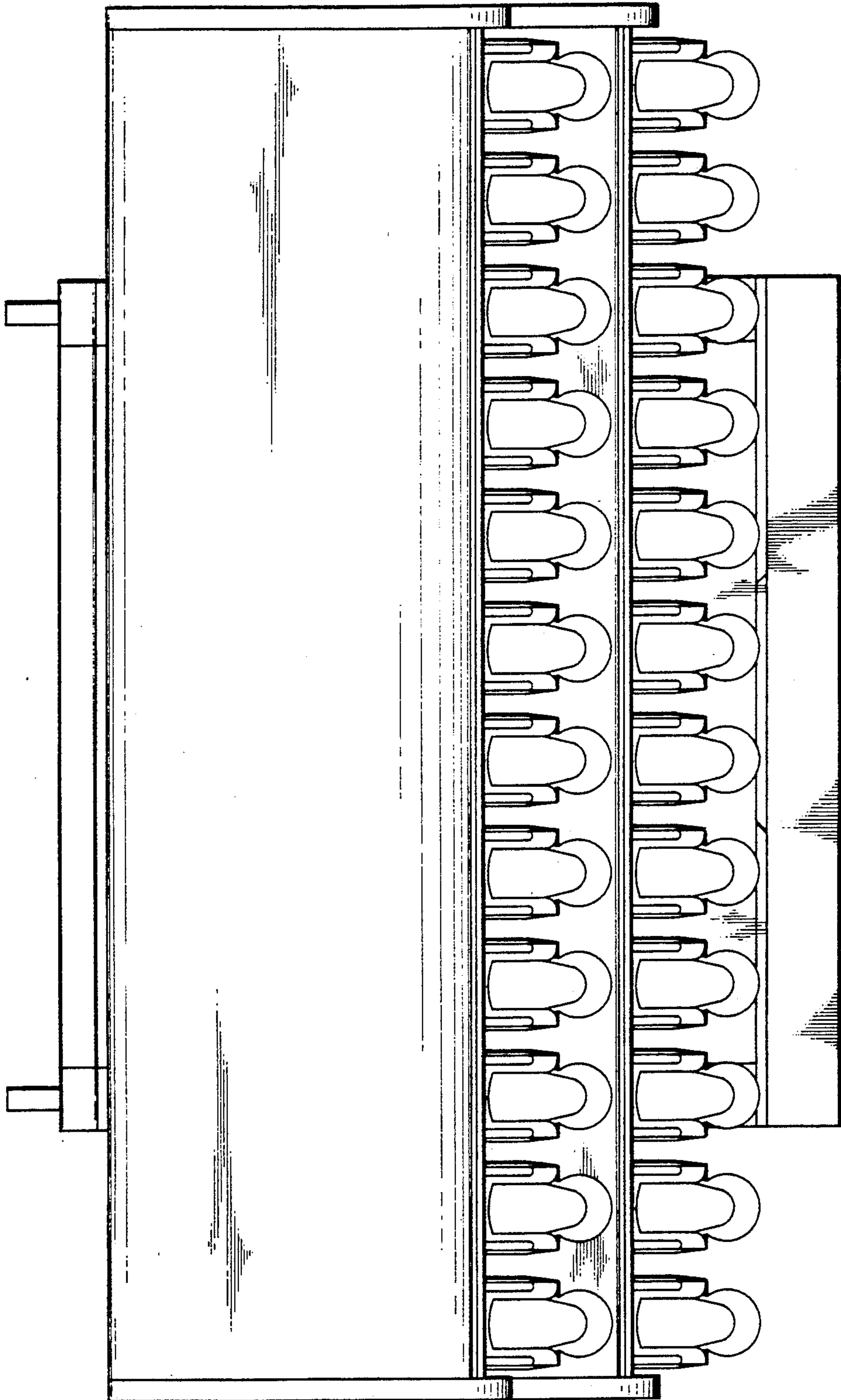


FIG. 12

