

[54] SEATING UNIT

[75] Inventor: Ned W. Mizelle, High Point, N.C.

[73] Assignee: Chippendales by Dapha, Ltd., High Point, N.C.

[**] Term: 14 Years

[21] Appl. No.: 162,377

[22] Filed: Feb. 29, 1988

[52] U.S. Cl. D6/381; D6/334

[58] Field of Search D6/381, 334

[56] References Cited

U.S. PATENT DOCUMENTS

D. 26,185	10/1896	Palmer	D6/334
D. 38,821	9/1907	Eckhart	D6/381
D. 105,277	7/1937	Hewitt	D6/334
D. 174,929	6/1955	Spound	D6/381
D. 237,670	11/1975	Fisher	D6/381
D. 252,060	6/1979	Prevost	D6/334
D. 255,068	5/1980	Gera et al.	D6/381
D. 260,585	9/1981	Long	D6/334
D. 277,244	1/1985	Giudici	D6/334
D. 282,418	2/1986	Lewis	D6/381

OTHER PUBLICATIONS

Baker Furniture Inc., dated 5-14-1941, p. 47, Sofa, No. 7058.

Primary Examiner—Nelson C. Holtje
Assistant Examiner—J. H. Musgrove
Attorney, Agent, or Firm—Beveridge, DeGrandi & Weilacher

CLAIM

[57] The ornamental design for a seating unit, as shown and described.

DESCRIPTION

FIG. 1 is a front perspective view of a first seating unit showing the design.

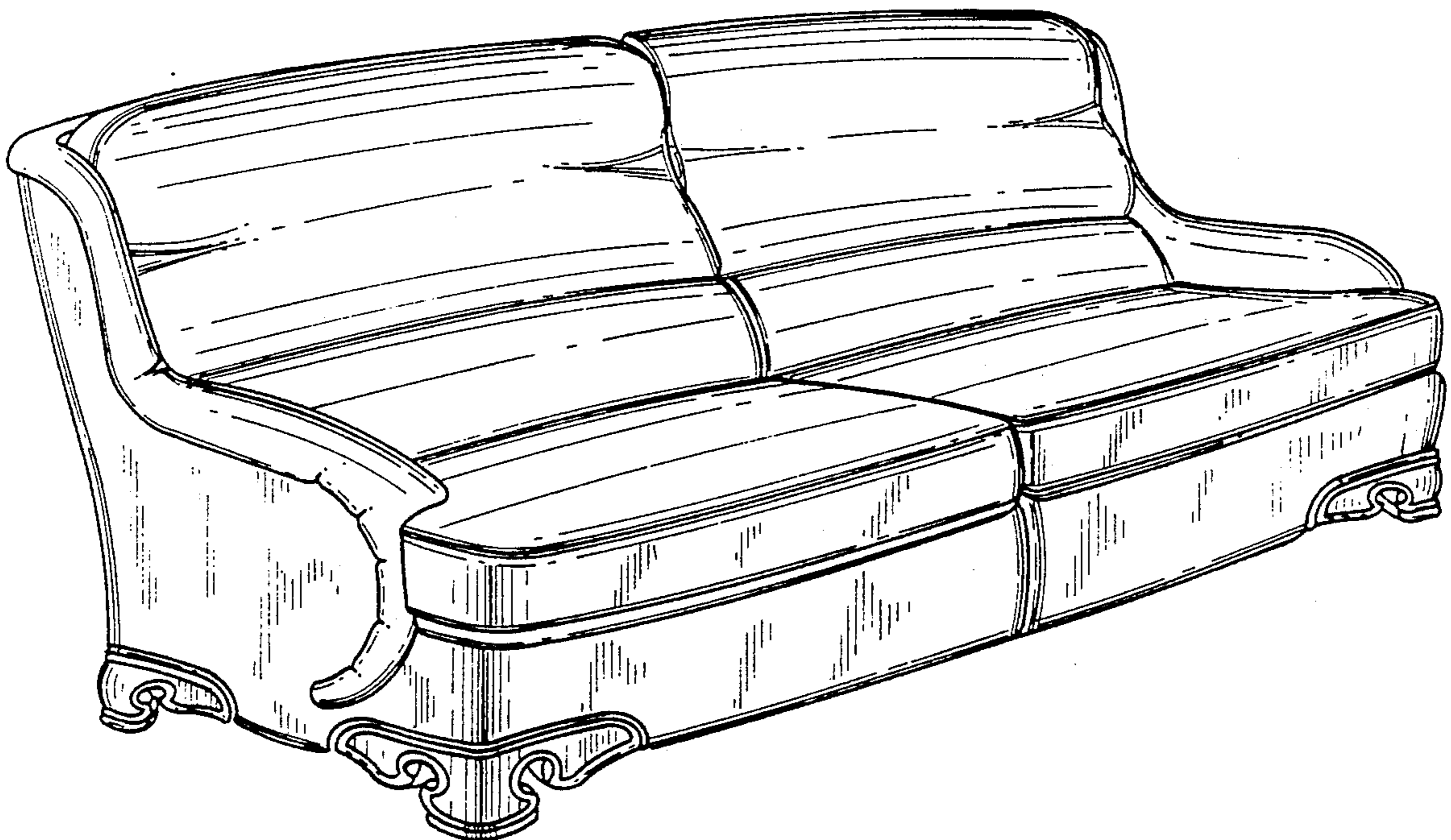
FIG. 2 is a front perspective view of a second seating unit showing the design.

FIG. 3 is a front perspective view of a third seating unit showing the design.

FIG. 4 is a front elevational view of the seating unit of FIG. 3.

FIG. 5 is a side elevational view of the seating unit as seen from the right in FIG. 4. The left side view is a mirror image of FIG. 5.

The bottoms and backs of the seating units are plain and unornamented.



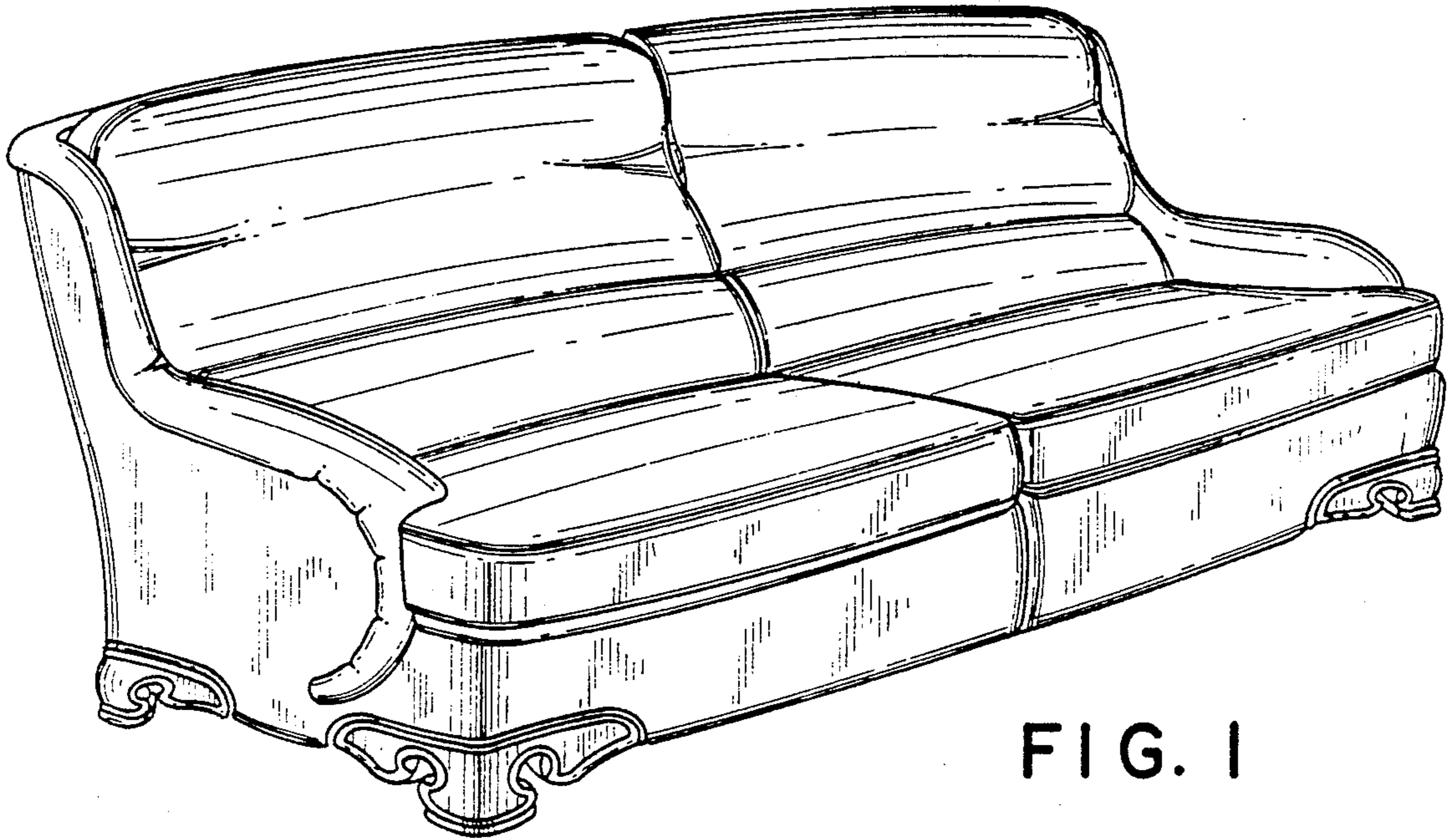


FIG. 1

FIG. 2

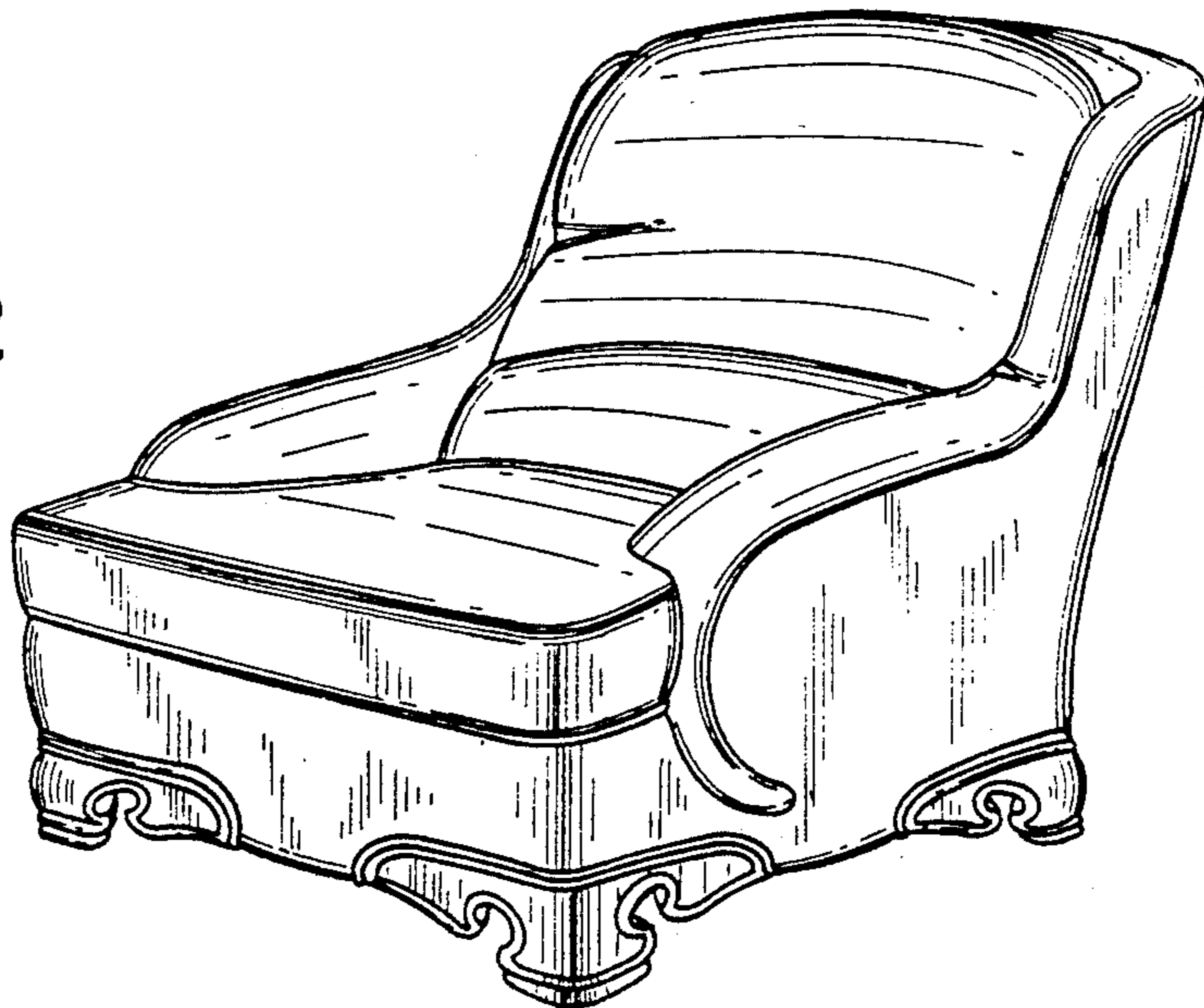


FIG. 3

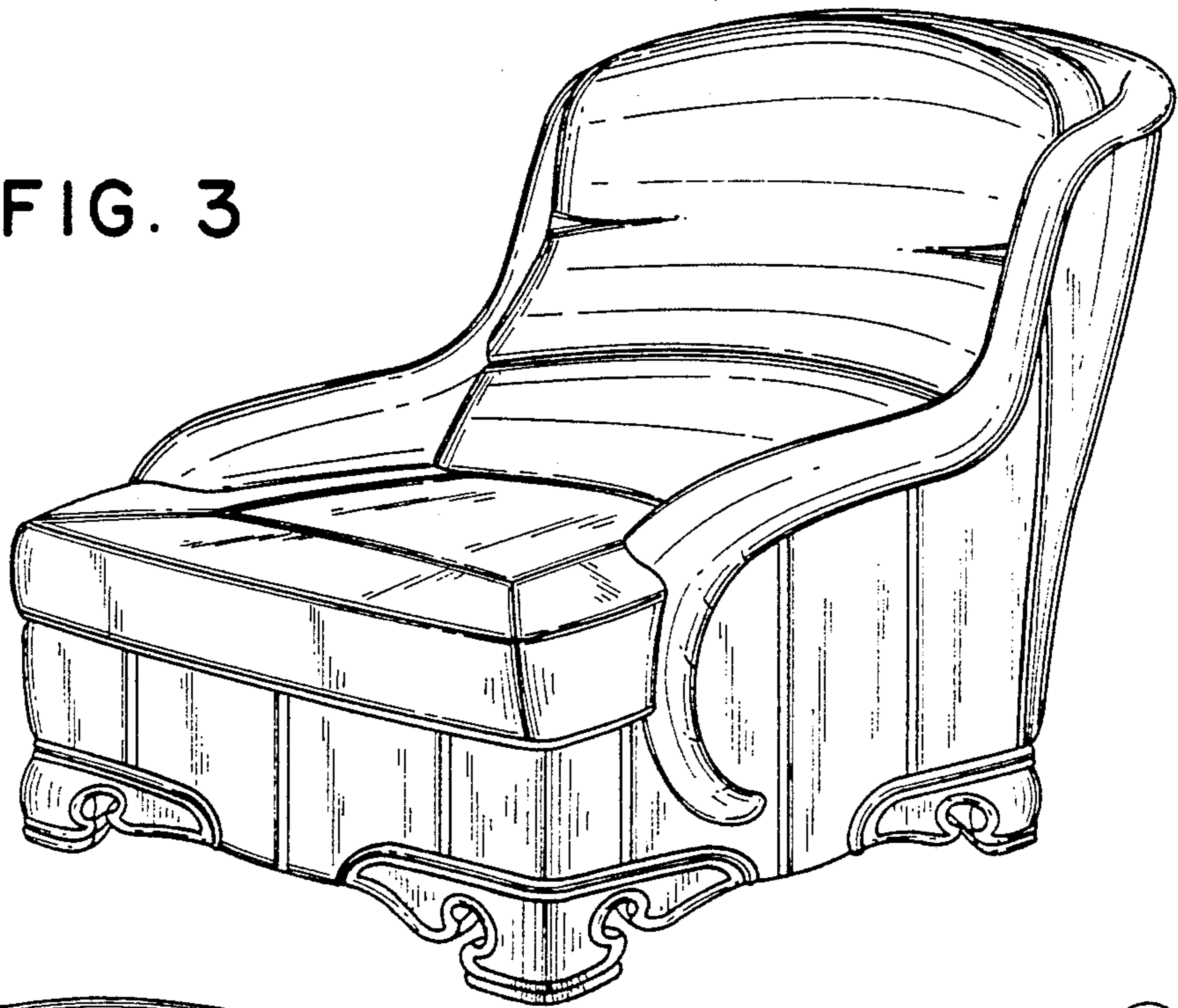


FIG. 4

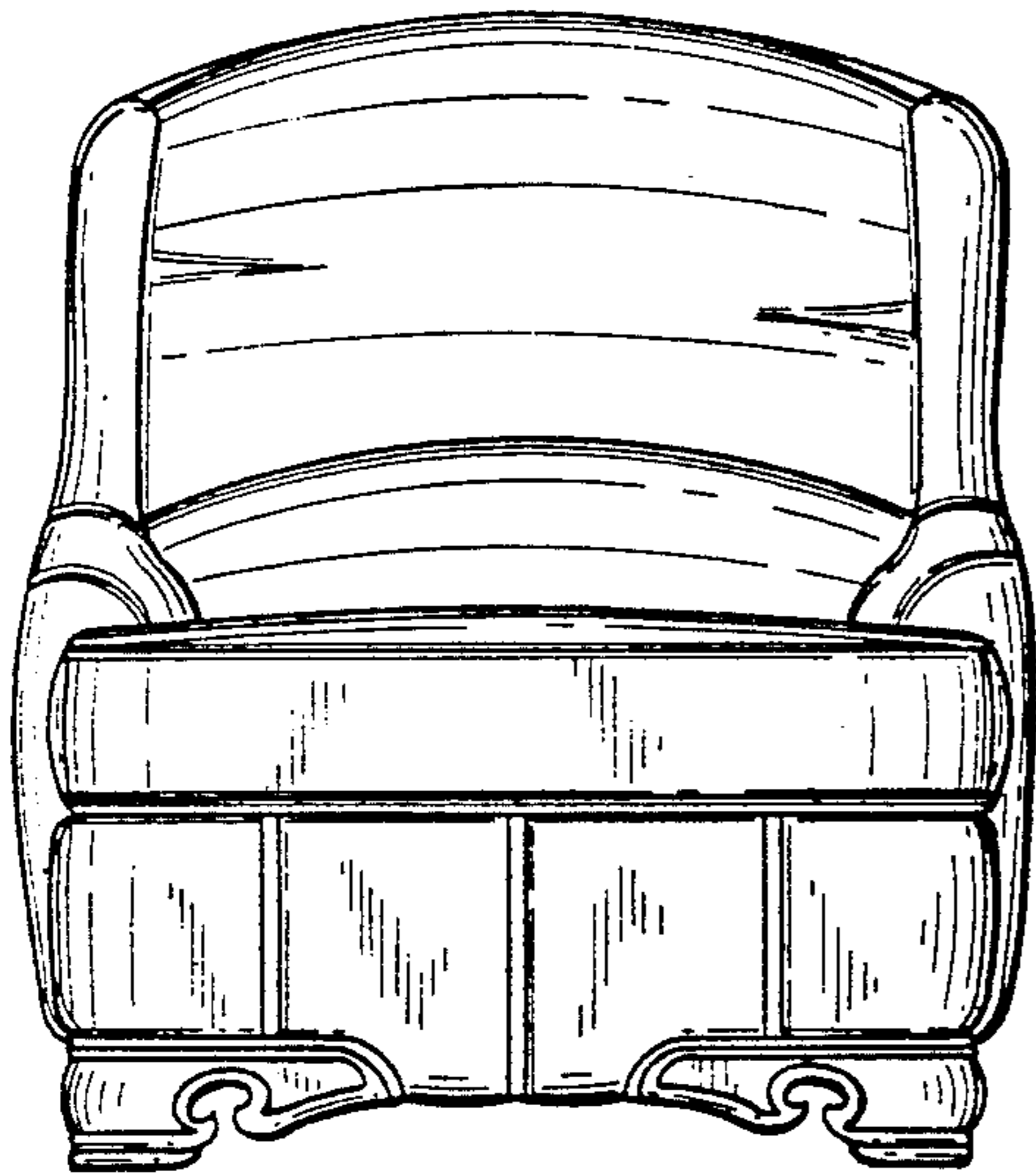


FIG. 5

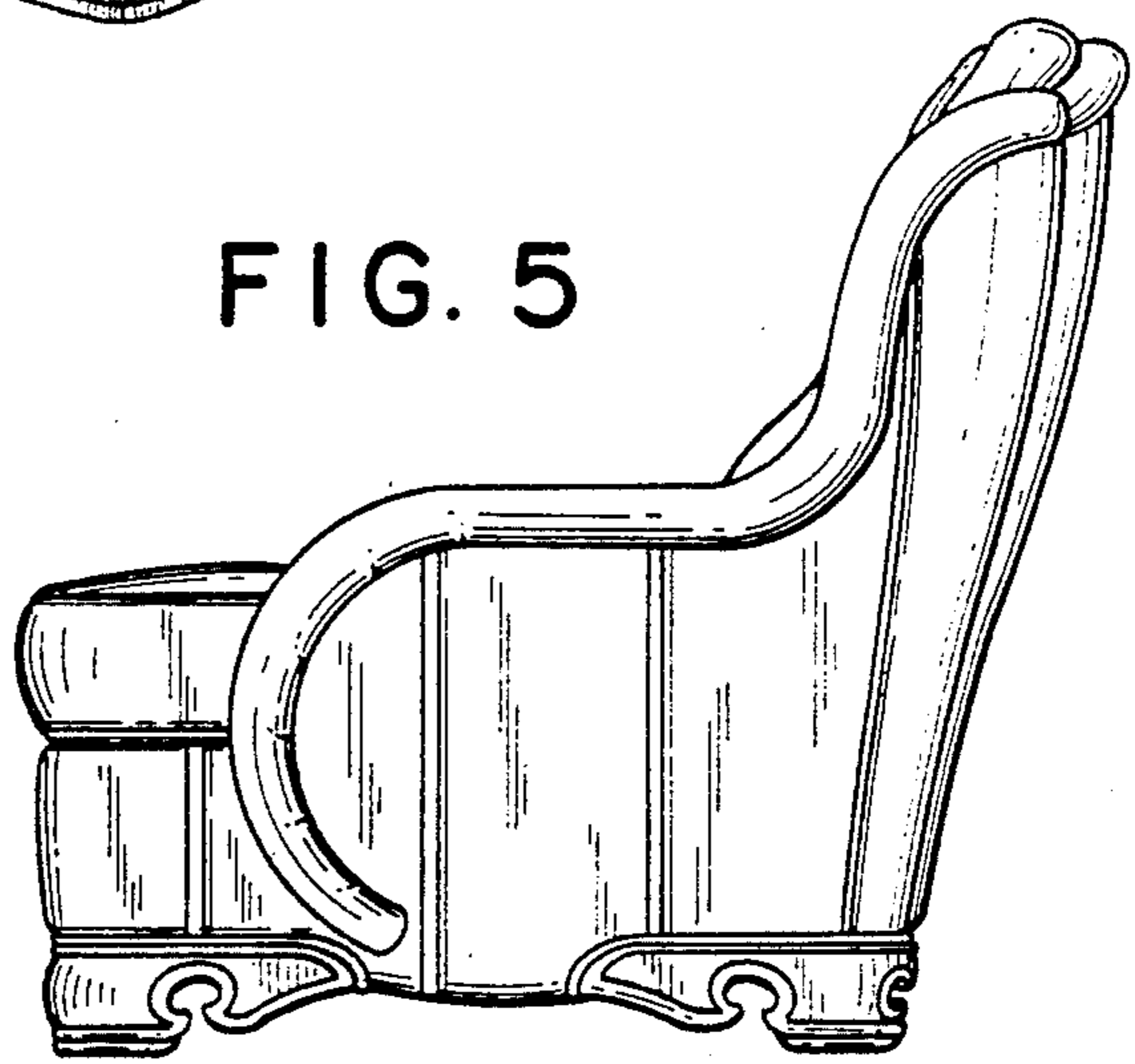


FIG. 6

