

[54] PORTION OF EXTRUSION STRIP CLOSURE FOR LUGGAGE OR THE LIKE

3,741,355 6/1973 Slan 190/126 X

[75] Inventor: Roger D. Winter, Lakewood, Colo.

OTHER PUBLICATIONS

Travelware, Dec. 1987, p. 73, Echolac®, Attache Cases.

[73] Assignee: Samsonite Corporation, Denver, Colo.

Primary Examiner—Louis S. Zurfas
Assistant Examiner—M. N. Pandozzi
Attorney, Agent, or Firm—Gregory W. O'Connor

[**] Term: 14 Years

[57] CLAIM

[21] Appl. No.: 322,824

The ornamental design for portion of extrusion strip closure for luggage or the like, as shown and described.

[22] Filed: Mar. 8, 1989

[52] U.S. Cl. D3/99; D3/76; D25/119

DESCRIPTION

[58] Field of Search D3/99, 54, 76; D25/119, D25/124; 190/124, 126, 114, 122, 123; 150/118, 120, 126

FIG. 1 is a top left perspective view of a segment of extrusion strips for luggage or the like showing my new design;

[56] References Cited

U.S. PATENT DOCUMENTS

- D. 193,601 9/1962 Hoffman D3/76
- D. 226,292 2/1973 Bienkowski D3/76
- D. 258,552 3/1981 Stolarz D3/76
- D. 279,047 6/1985 Soininen D3/76 X

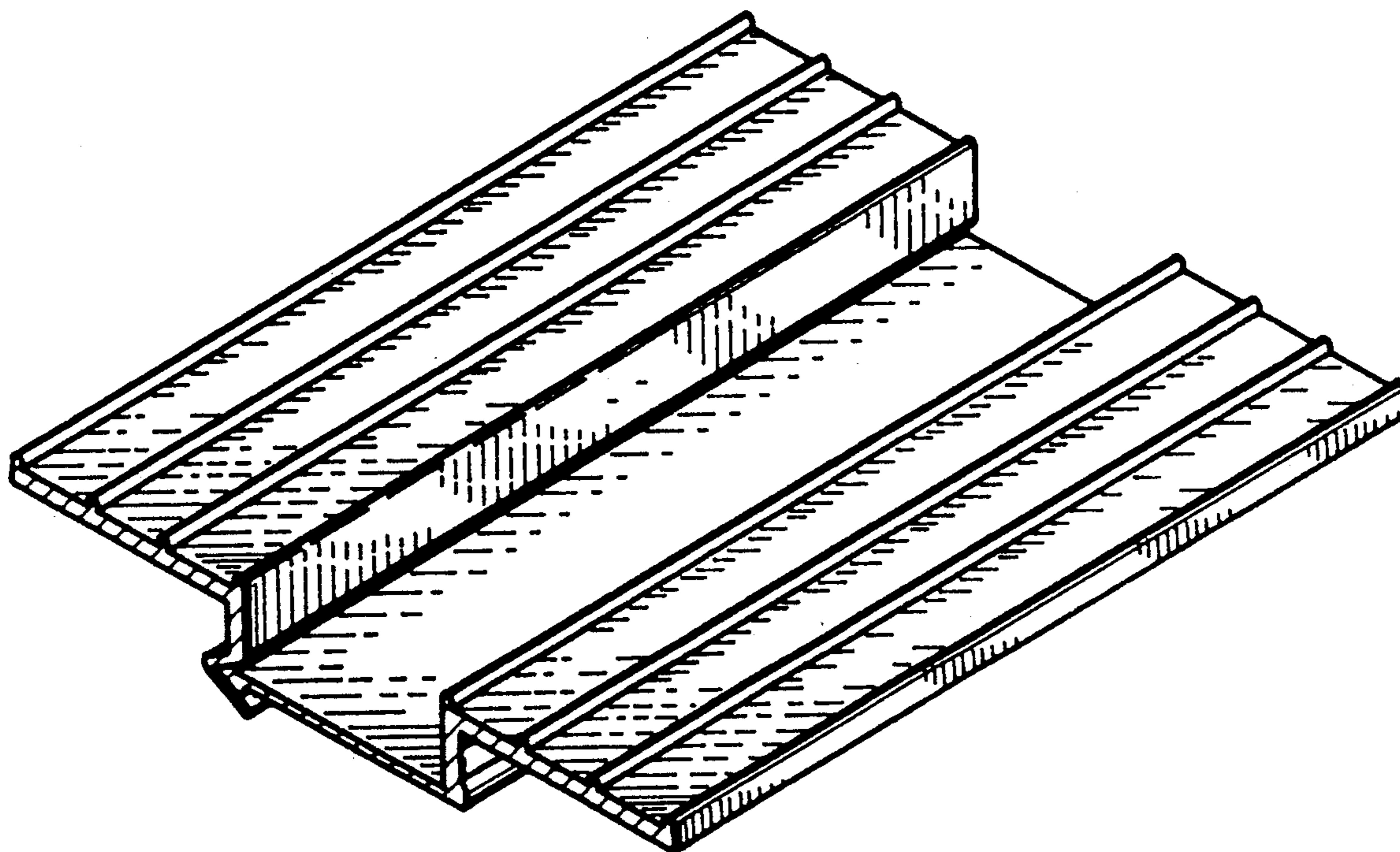
FIG. 2 is a cross sectional view thereof;

FIG. 3 is a bottom left perspective view thereof;

FIG. 4 is a top left perspective view of a segment of a second embodiment of extrusion strips for luggage or the like showing my new design;

FIG. 5 is a cross sectional view thereof;

FIG. 6 is a bottom left perspective view thereof.



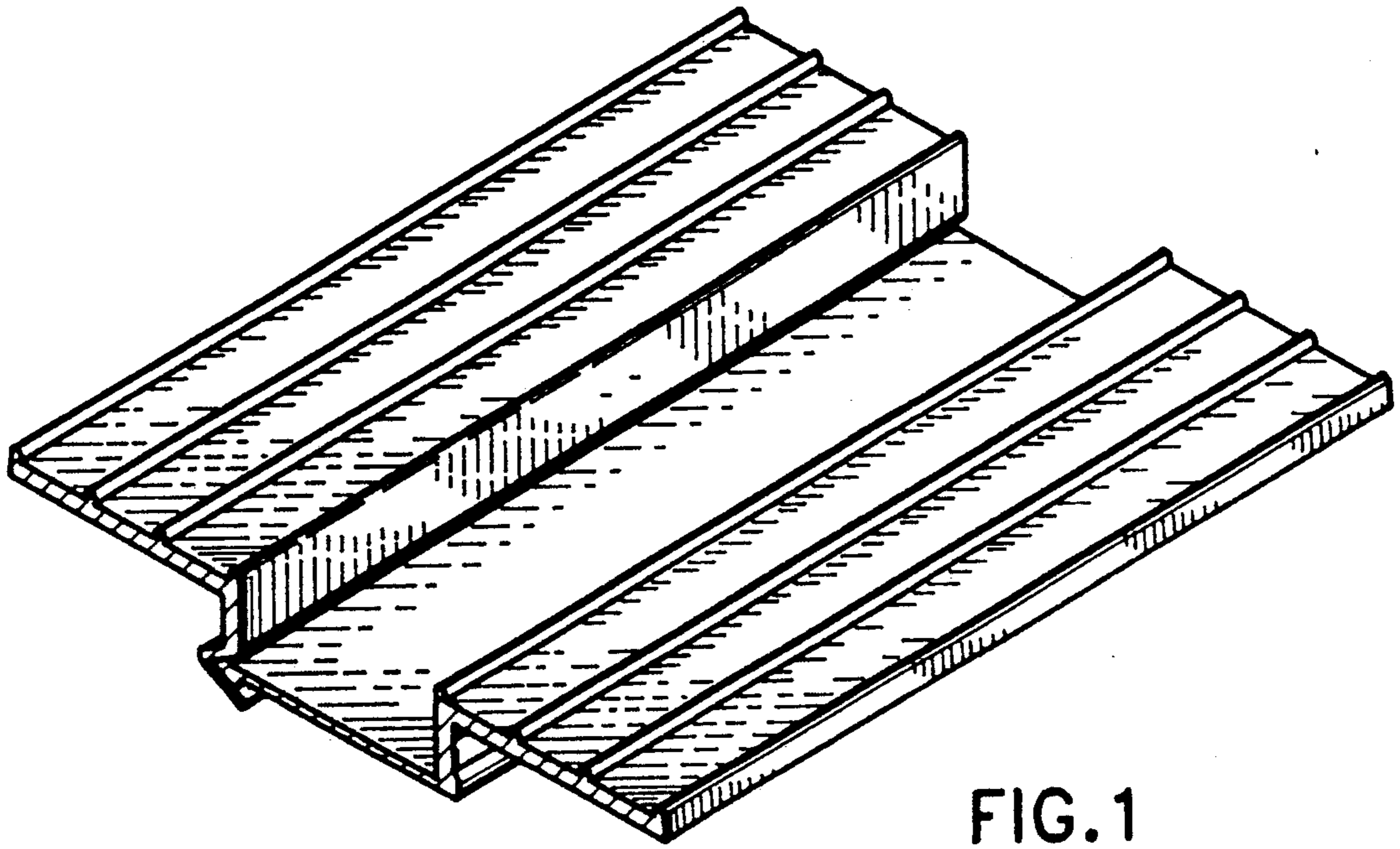


FIG. 1

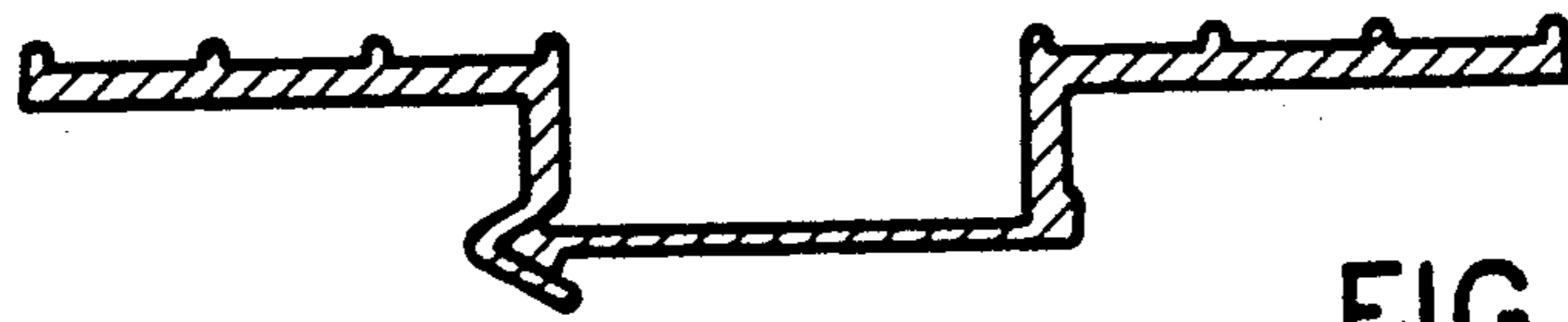


FIG. 2

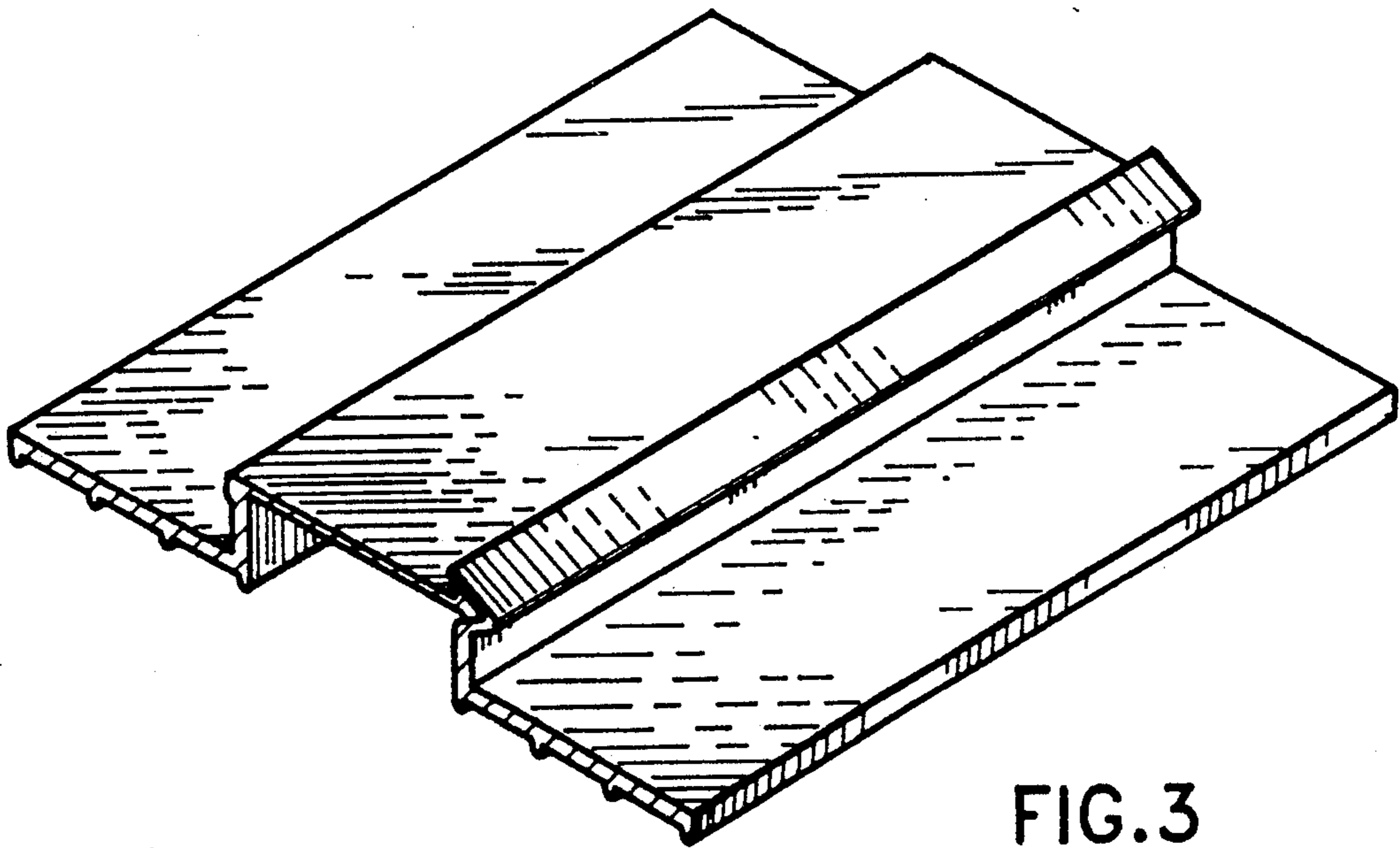


FIG. 3

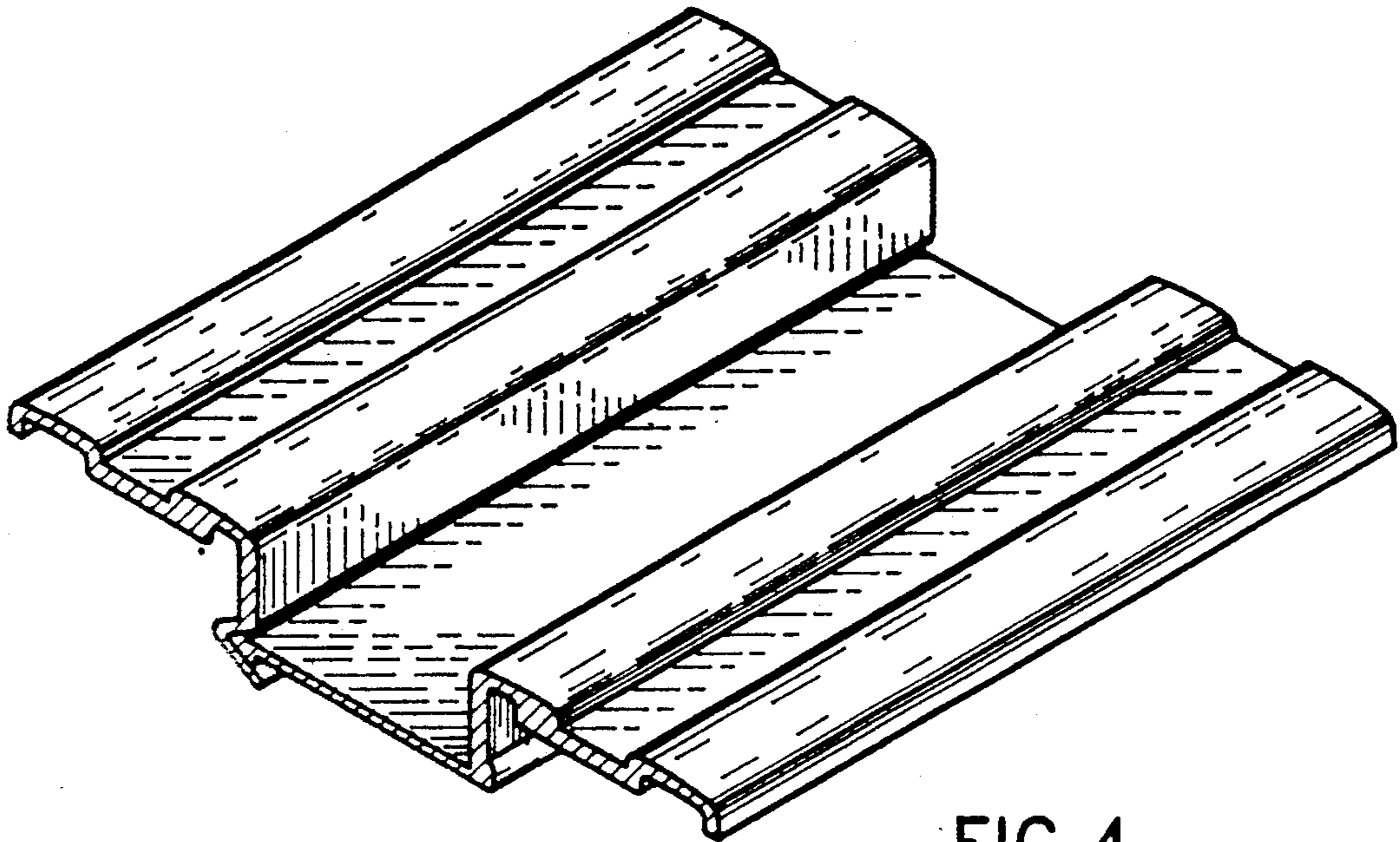


FIG. 4

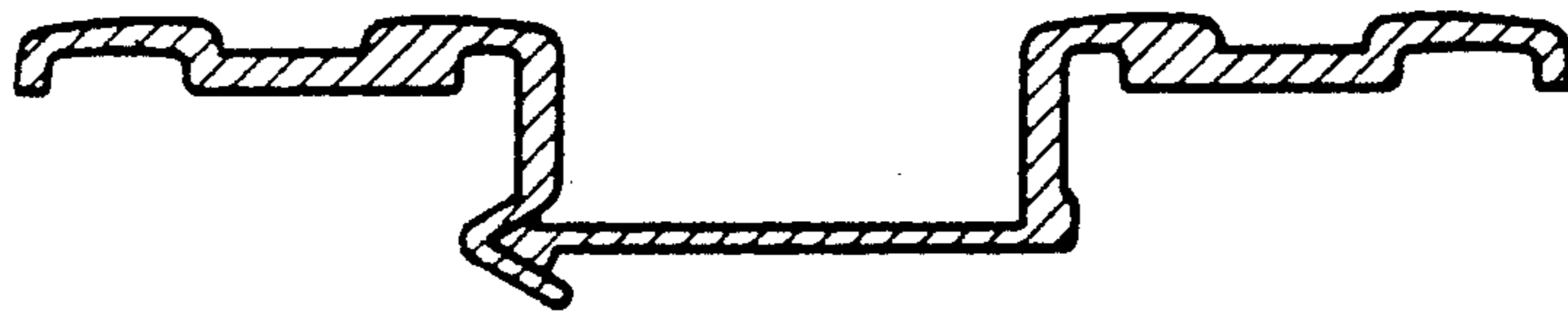


FIG. 5

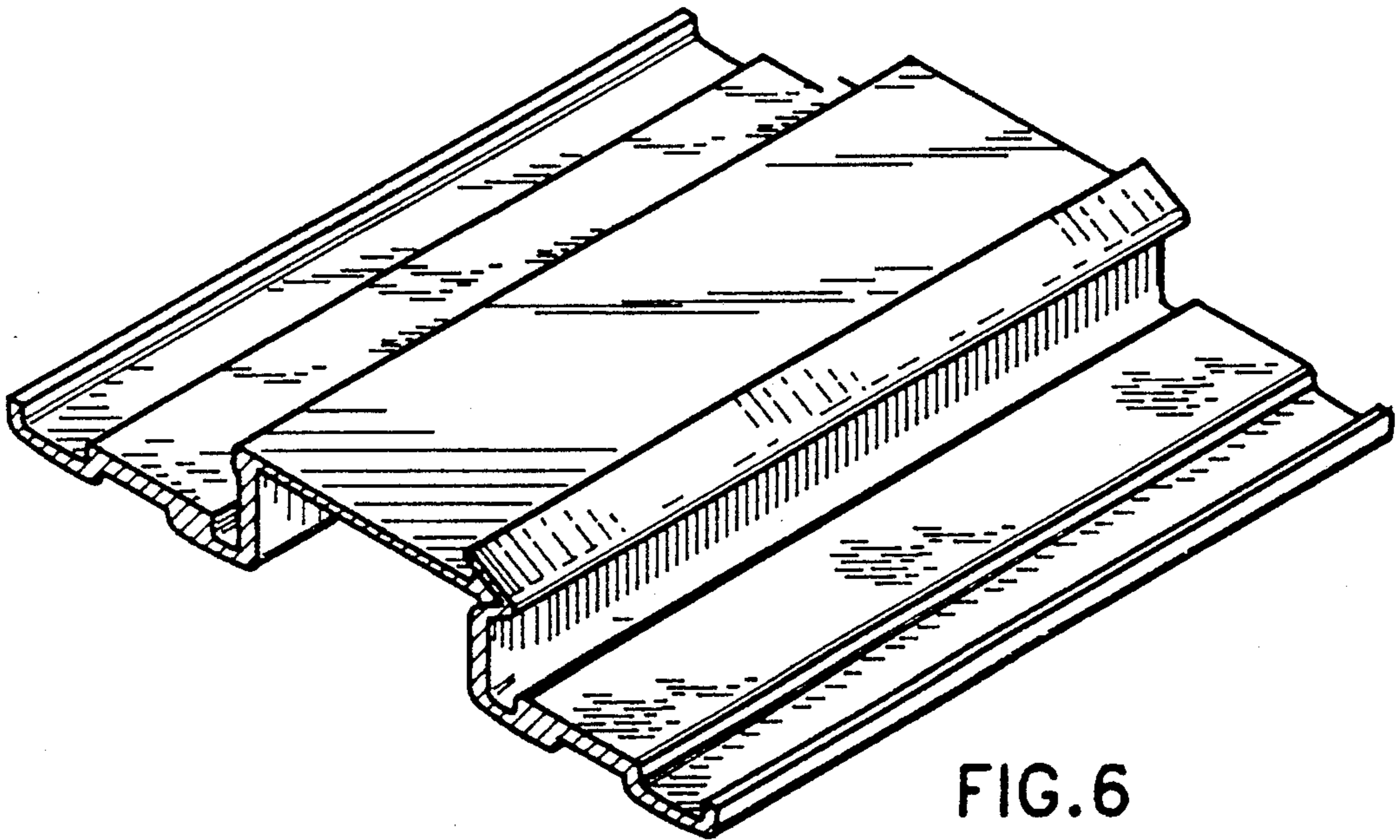


FIG. 6