

[54] FISHING TACKLE BOX

4,020,584 5/1977 Michal 43/57.1

[76] Inventor: Santi Venanzini, 219 N. Burgher Ave., Staten Island, N.Y. 10310

[**] Term: 14 Years

[21] Appl. No.: 258,323

[22] Filed: Oct. 14, 1988

[52] U.S. Cl. D3/38; D3/74

[58] Field of Search D3/74, 39, 38, 30.1, D3/36; 223/107; 43/57.1; 206/373, 315.11; 190/103, 109, 111, 110, 127, 124, 119, 100

[56] References Cited

U.S. PATENT DOCUMENTS

D. 254,122	2/1980	Wintz	D3/74
2,441,345	5/1948	Brubaker	D3/74
2,608,459	8/1952	Malmquist	43/57.1 X
3,322,310	5/1967	Higgs	223/107
3,371,973	3/1968	Meltzer	D3/30.1 X

OTHER PUBLICATIONS

Model #100 Rebel Catalog 8/1/83.

Primary Examiner—Louis S. Zarfes

Assistant Examiner—M. N. Pandozzi

Attorney, Agent, or Firm—Richard L. Miller

[57] CLAIM

The ornamental design for a fishing tackle box, as shown and described.

DESCRIPTION

FIG. 1 is a top plan view of a fishing tackle box, showing my new design;

FIG. 2 is a front elevational view thereof, the rear being an identical mirror image;

FIG. 3 is a left side elevational view thereof, the right side being an identical mirror image;

FIG. 4 is a bottom plan view thereof; and

FIG. 5 is a perspective view thereof in an open position.

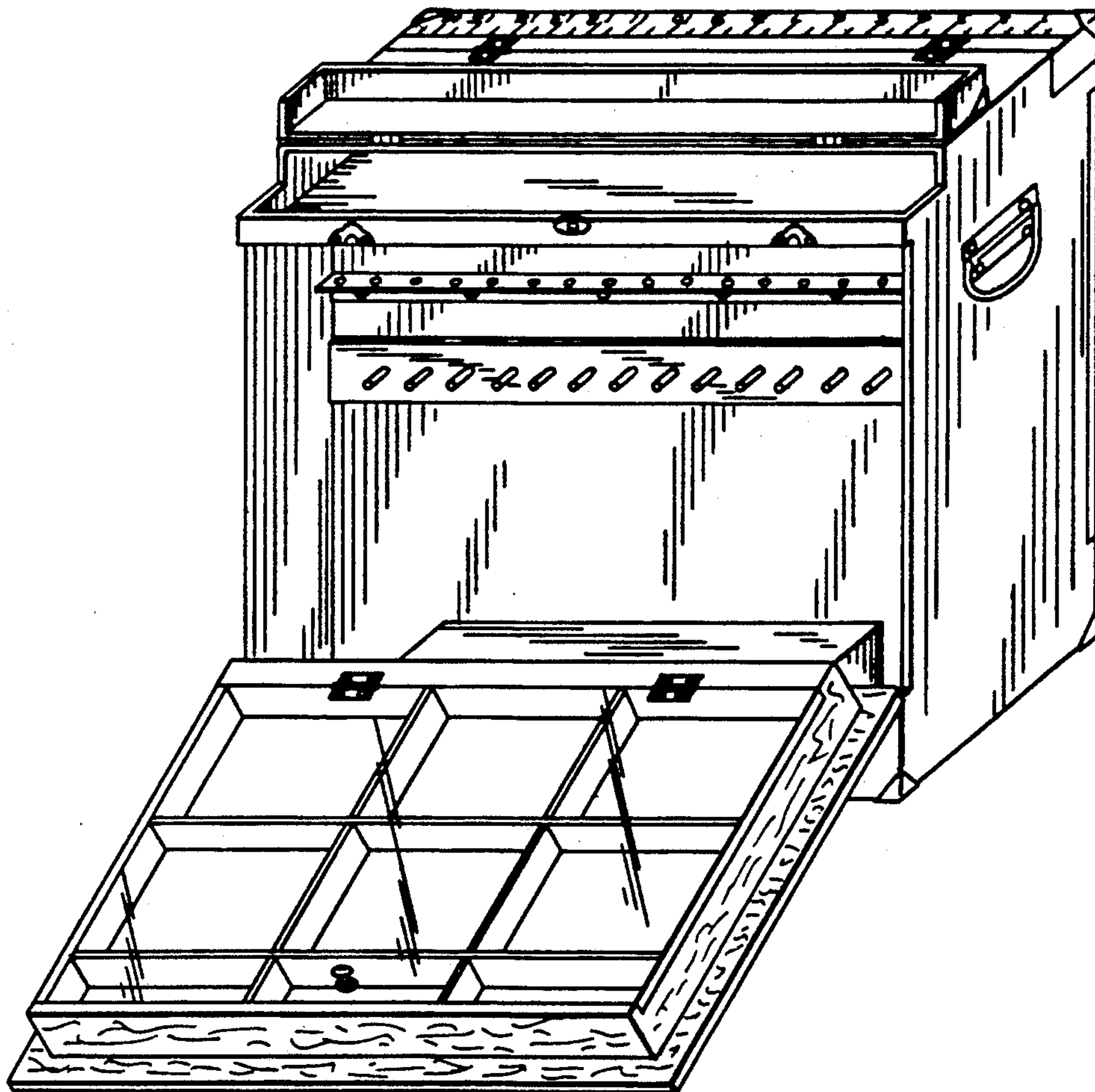


FIG. 1

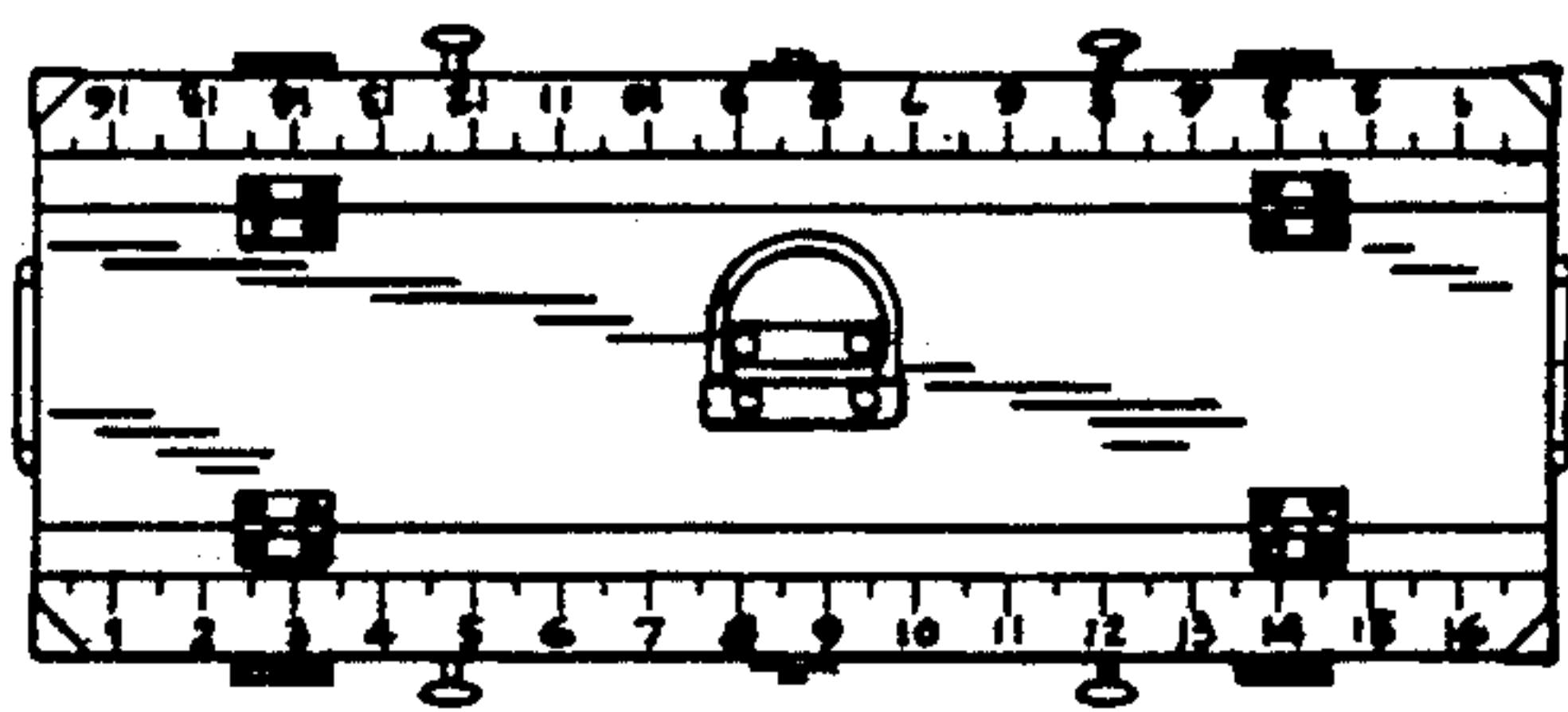


FIG. 4

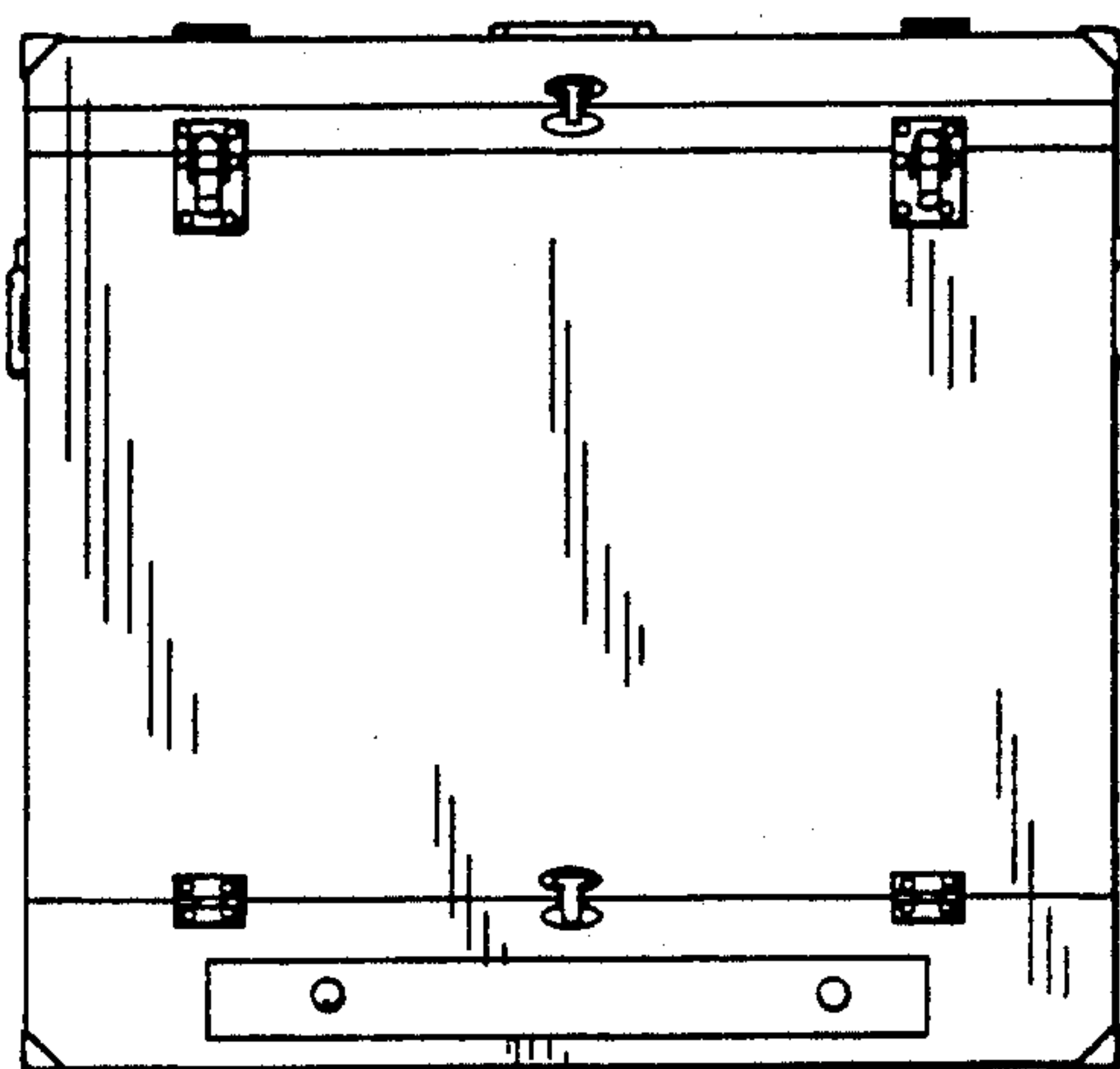
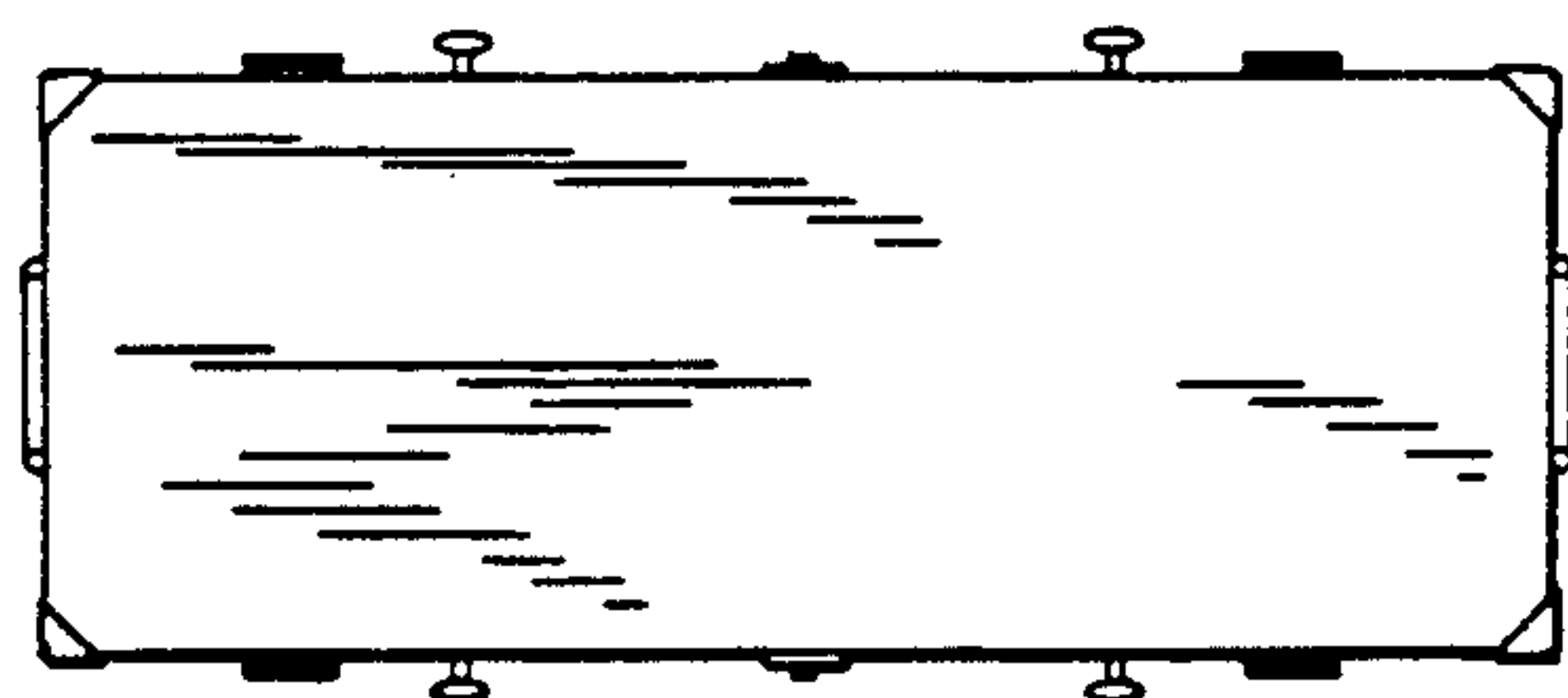


FIG. 2

FIG. 5

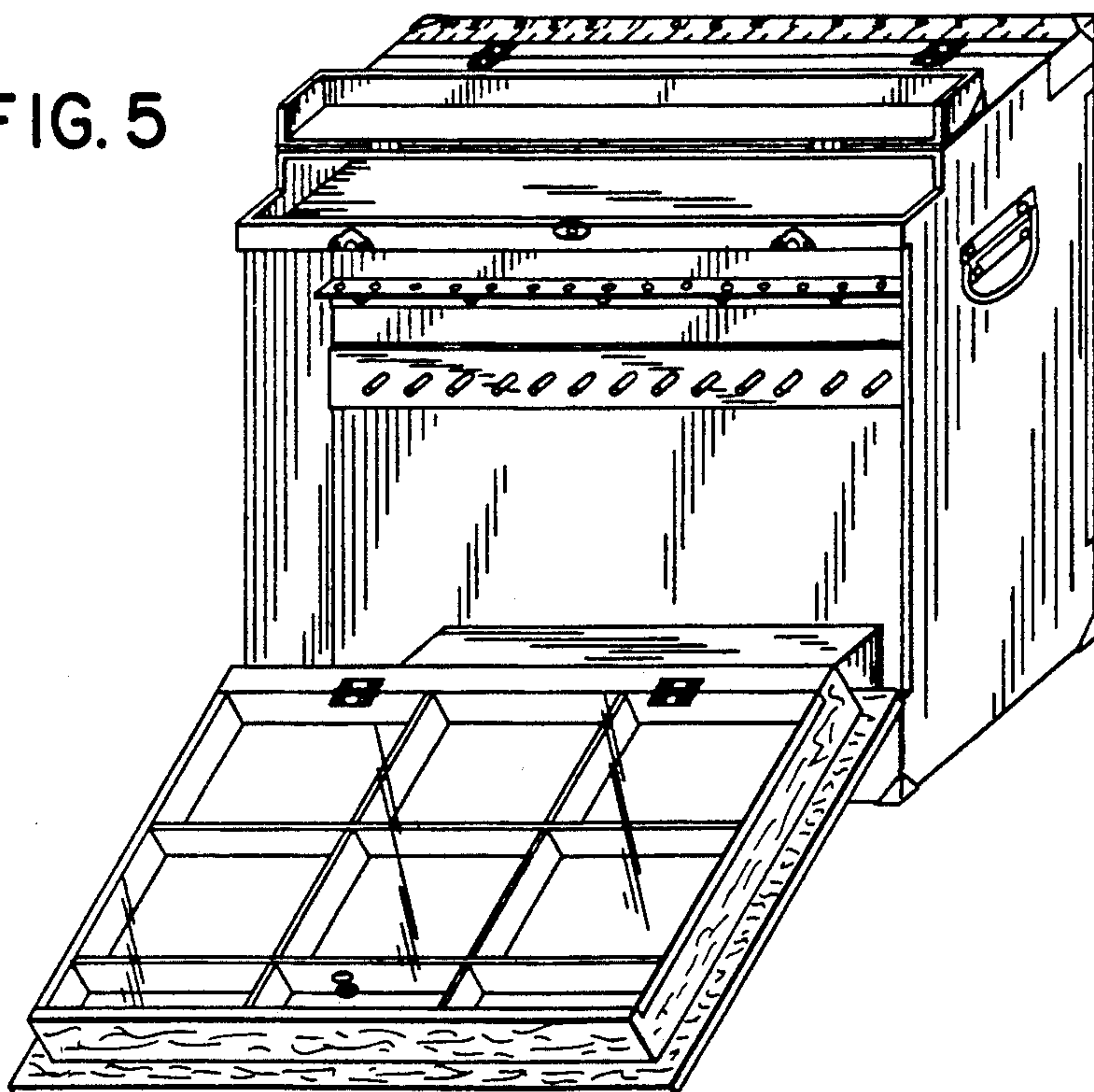


FIG. 3

