

[54] WORK STATION CONTAINER

[75] Inventor: Kenneth D. Collister, Elkhart, Ind.

[73] Assignee: Miles Inc., Elkhart, Ind.

[*] Notice: The portion of the term of this patent subsequent to Dec. 26, 2003 has been disclaimed.

[**] Term: 14 Years

[21] Appl. No.: 90,774

[22] Filed: Aug. 28, 1987

[52] U.S. Cl. D3/30.1; D3/78

[58] Field of Search D3/30.1, 76, 78; 206/372, 373, DIG. 33

D. 305,179 12/1989 Collister D3/30.1

2,628,752 2/1953 Corkish 206/373 X

4,122,944 10/1978 De Napoli 312/DIG. 33 X

4,150,746 4/1979 Buglione 206/372

Primary Examiner—A. Hugo Word
 Assistant Examiner—Doris V. Coles
 Attorney, Agent, or Firm—Roger N. Coe

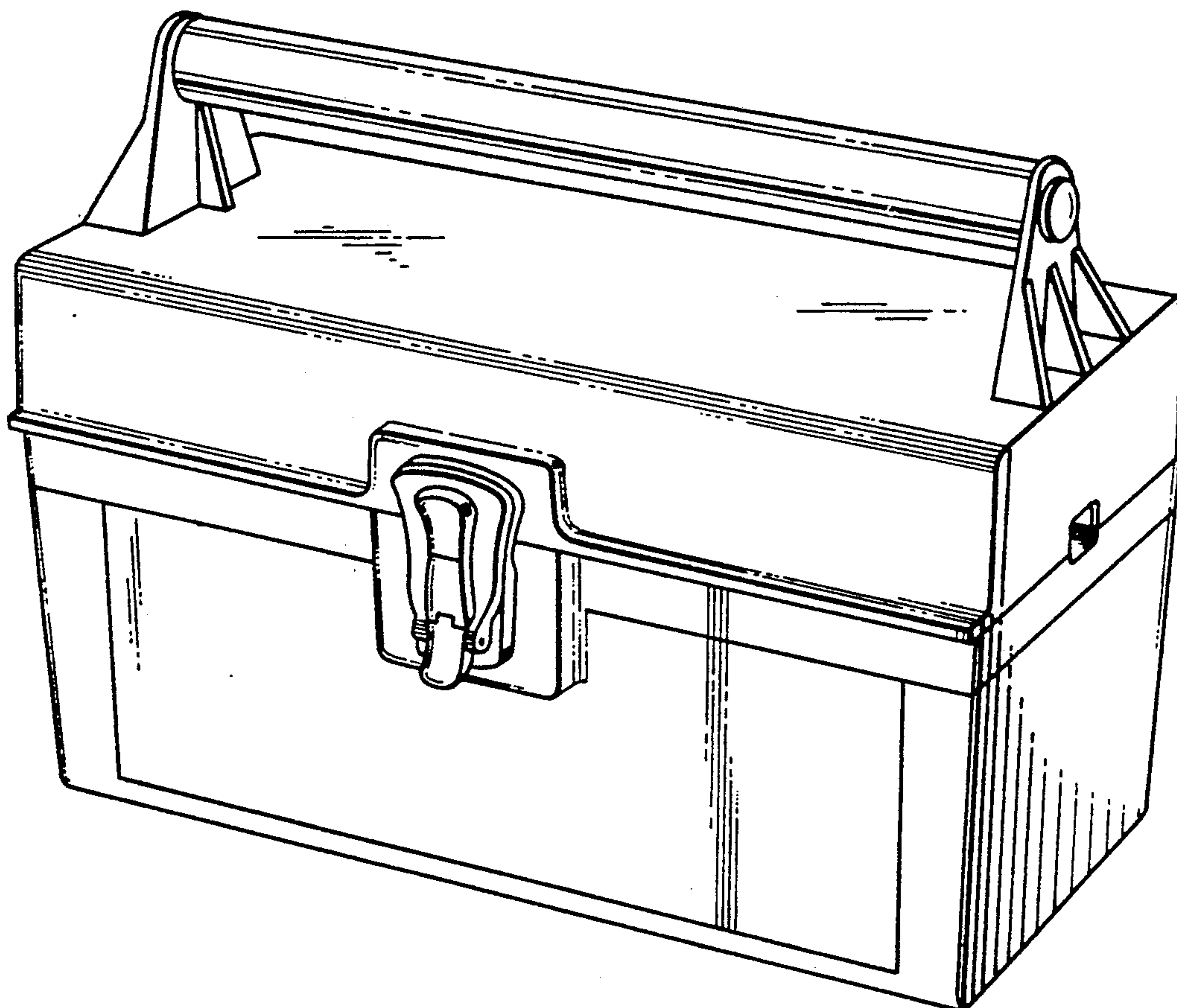
[57] CLAIM

The ornamental design for the work station container, as shown and described.

DESCRIPTION

FIG. 1 is a front perspective view of a work station container showing my new design.
 FIG. 2 is a top plan view thereof.
 FIG. 3 is a front elevation view thereof.
 FIG. 4 is a rear elevation view thereof.
 FIG. 5 is a bottom plan view thereof.
 FIG. 6 is a right side elevation view thereof.
 FIG. 7 is a left side elevation view thereof.

[56] References Cited
 U.S. PATENT DOCUMENTS
 D. 260,578 9/1981 Cox D3/76 X



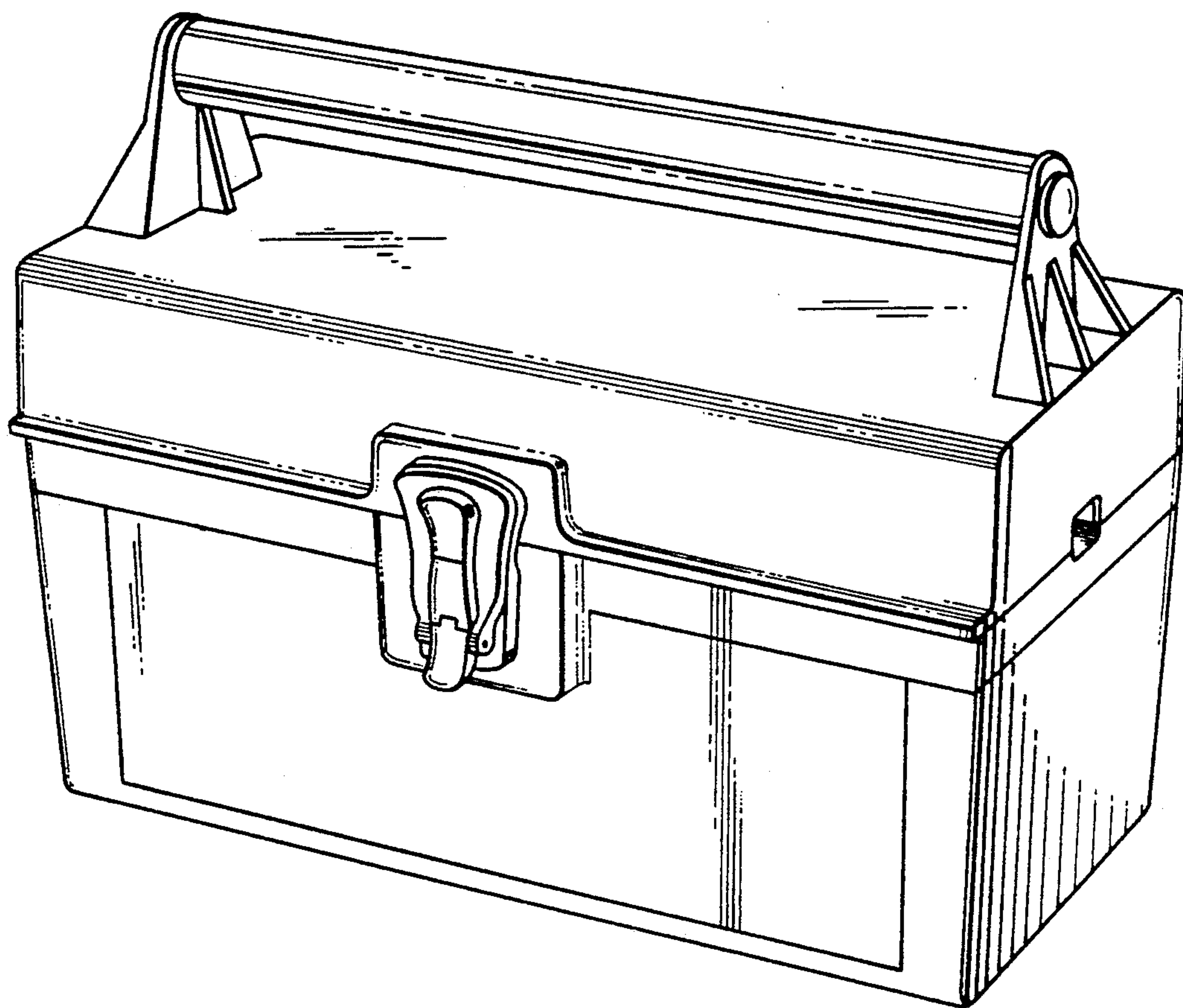


FIG. 1

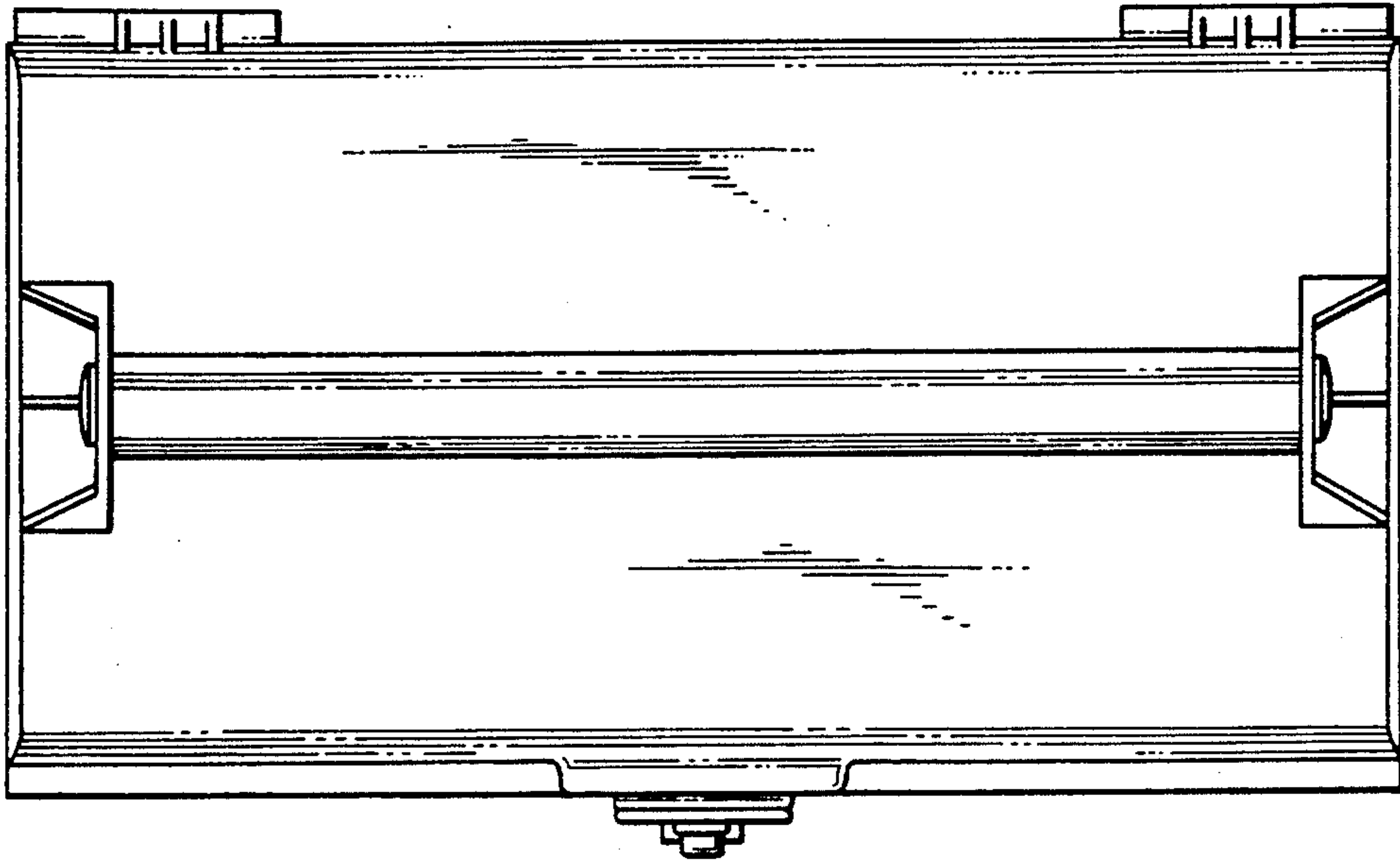


FIG. 2

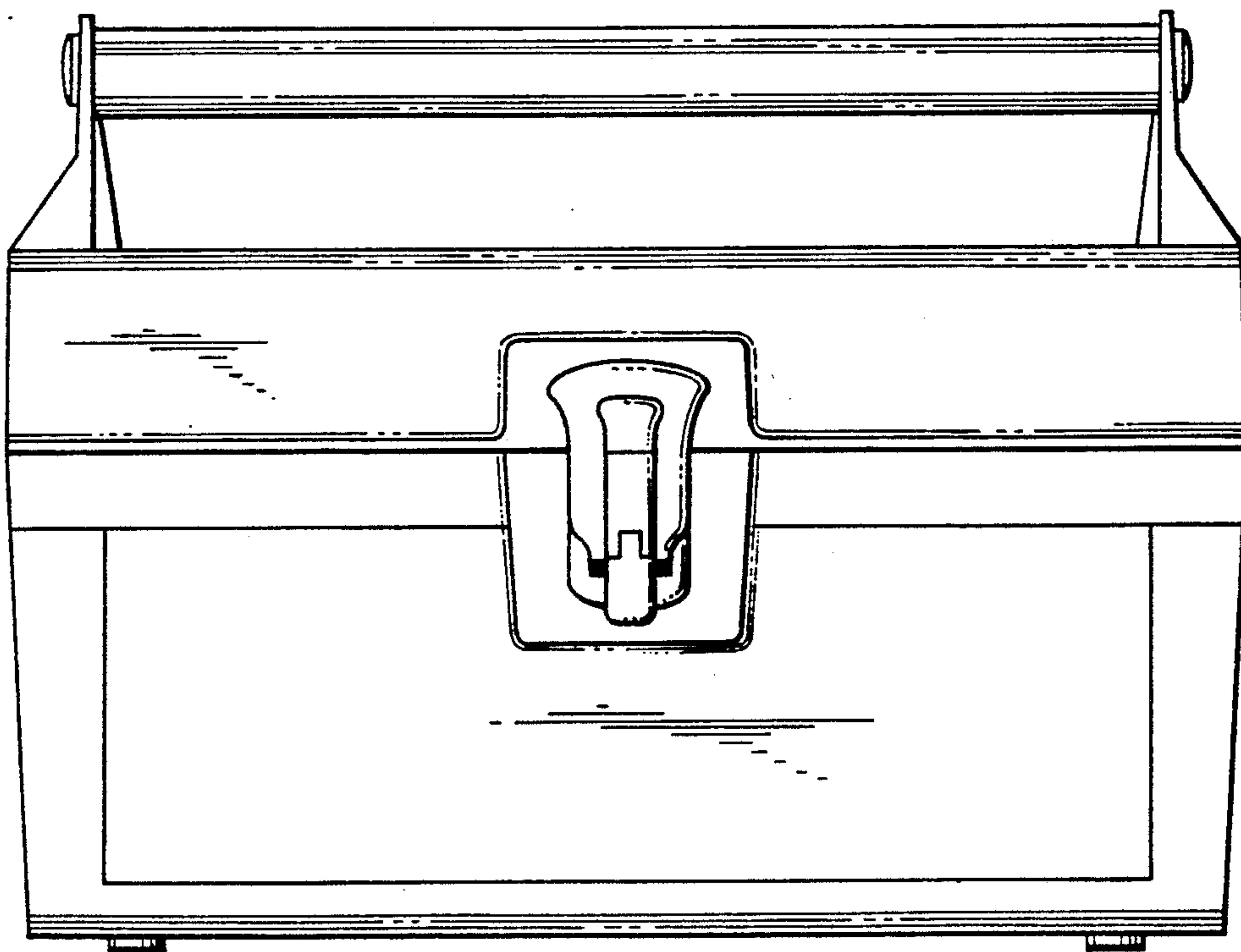


FIG. 3

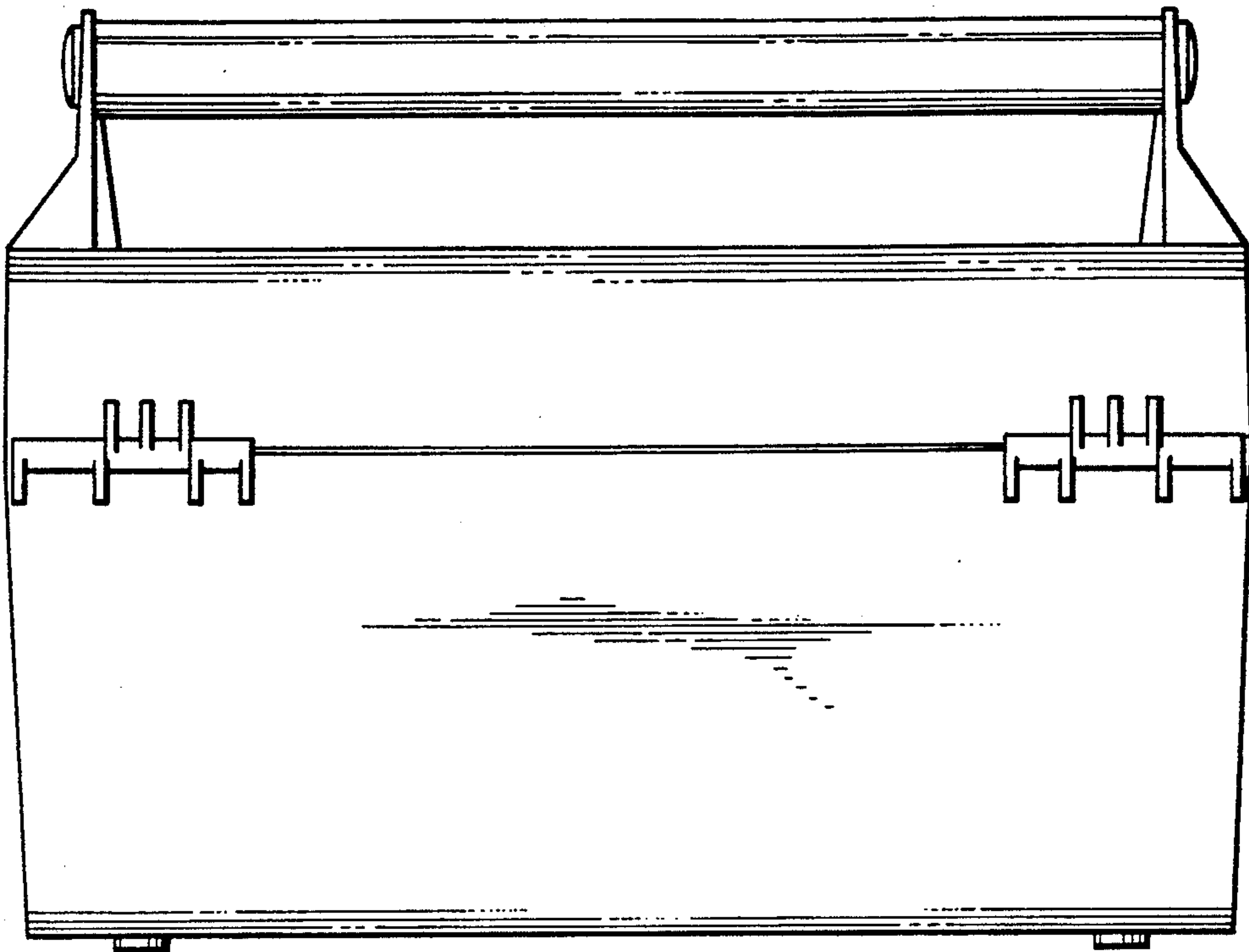


FIG. 4

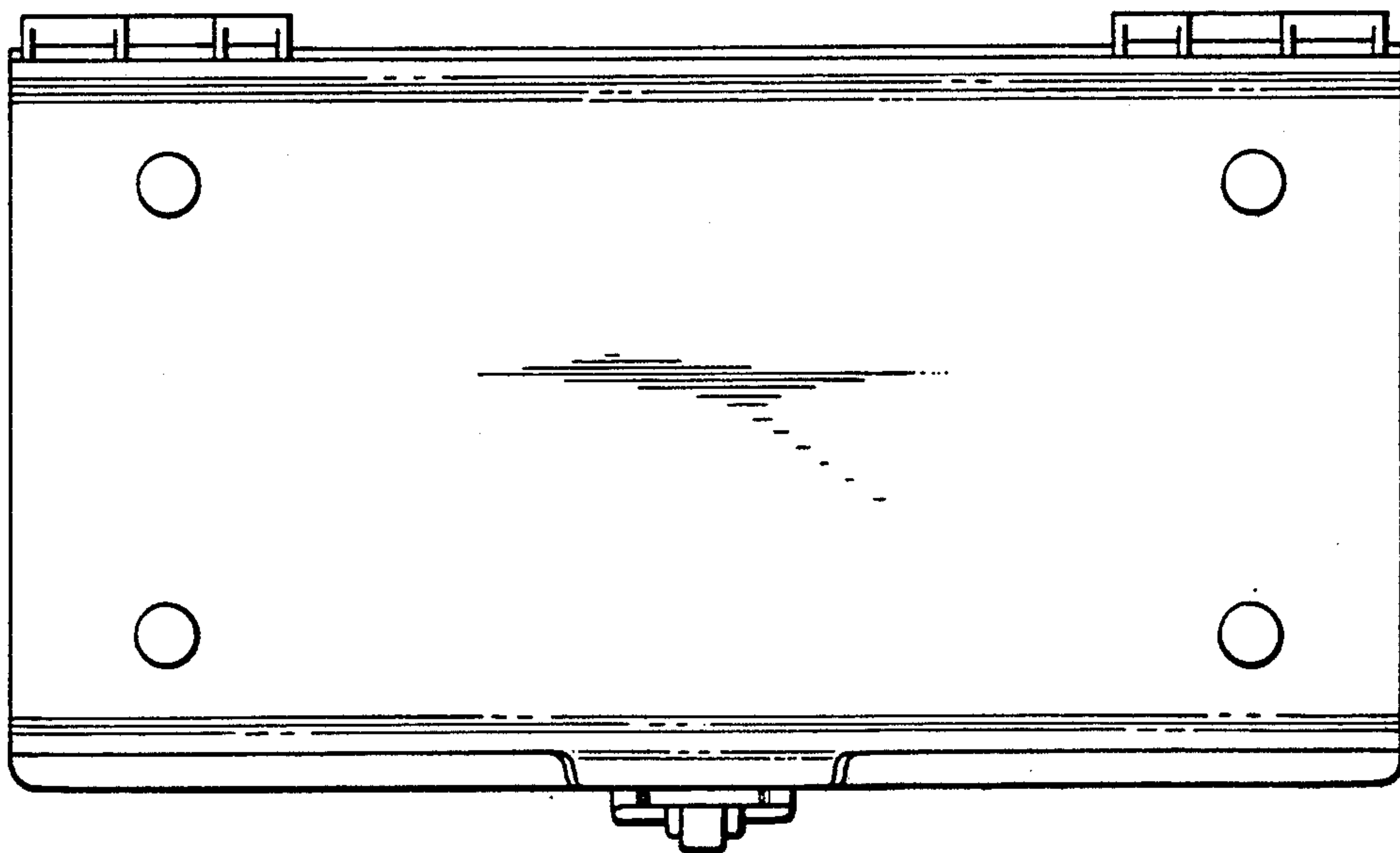


FIG. 5

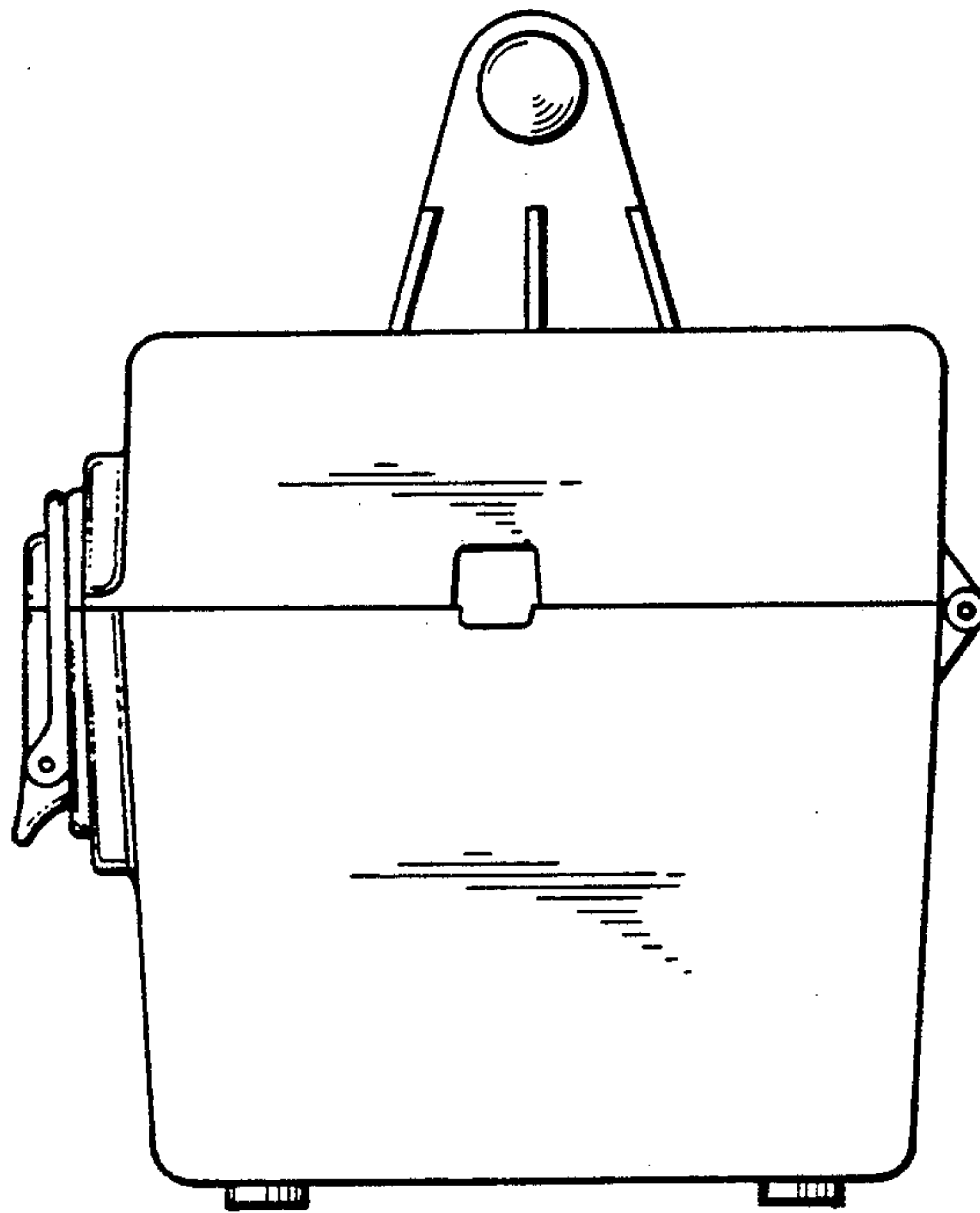


FIG. 6

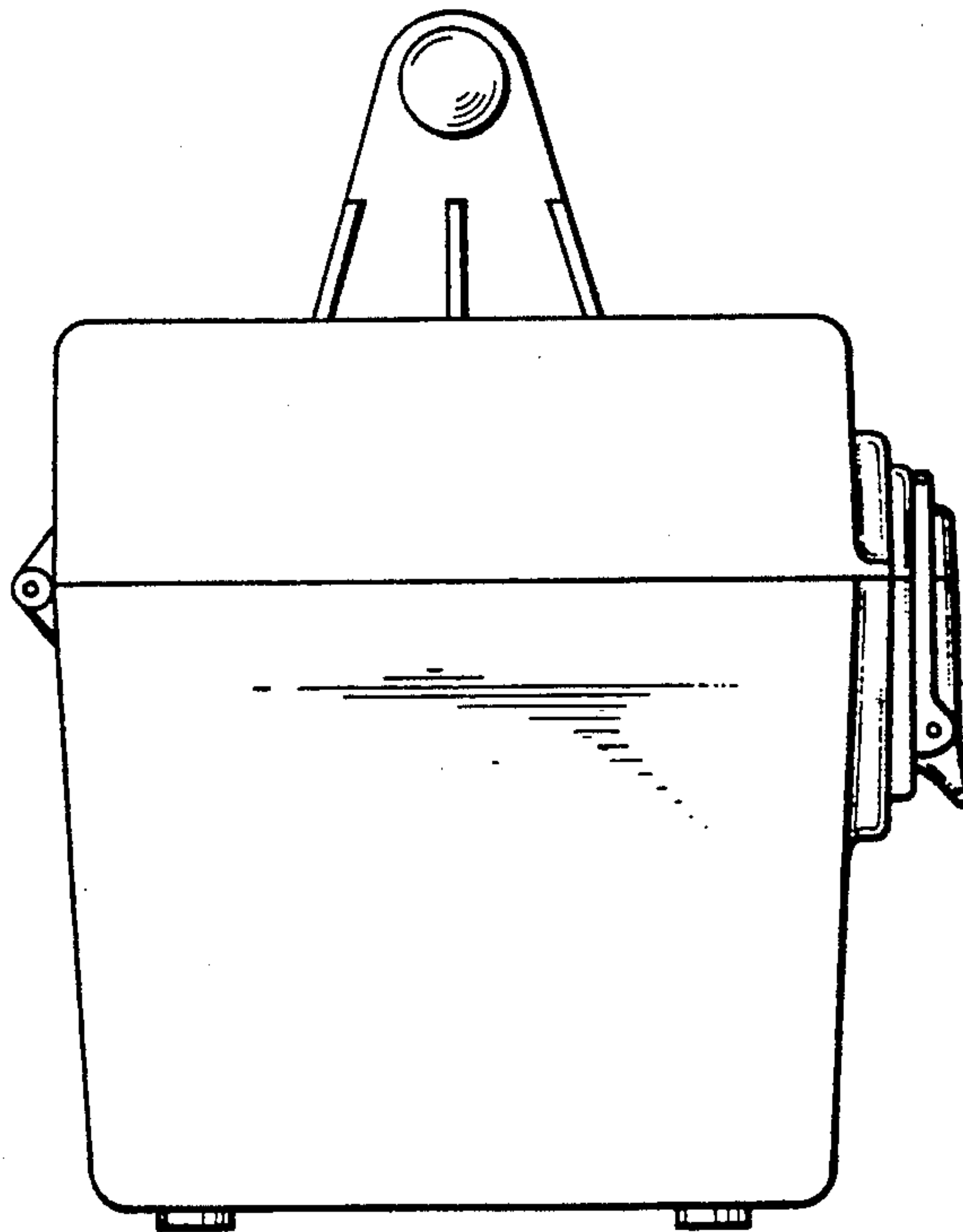


FIG. 7