

[54] MOBILE GARBAGE CAN RACK

[76] Inventor: Johnny G. Allen, 603 Cedar Ave., P.O. Box 3667, Albany, Ga. 31706

[**] Term: 14 Years

[21] Appl. No.: 437,990

[22] Filed: Nov. 20, 1989

[52] U.S. Cl. D34/5; D34/24; D6/556

[58] Field of Search D34/1, 5, 6; D6/556, D6/557, 558; 248/147, 95, 97, 99, DIG. 7; 211/71, 83

[56] References Cited

U.S. PATENT DOCUMENTS

D. 170,695 10/1953 Kane D34/6

D. 214,849 8/1969 Barrett D34/6
D. 248,364 7/1978 Allen D34/6
1,112,558 10/1914 Red 211/71
3,232,441 2/1966 Mitscherling 211/71

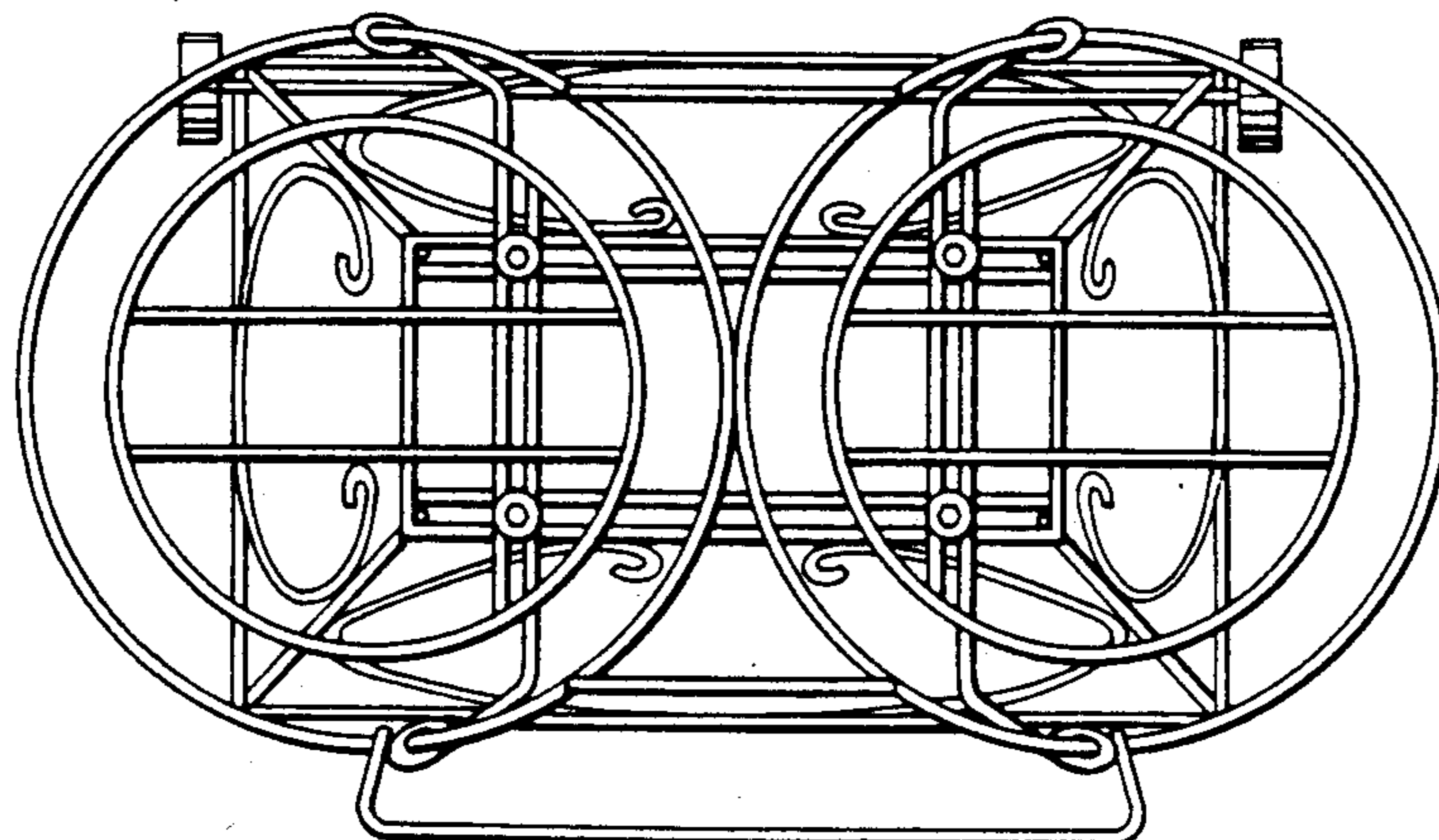
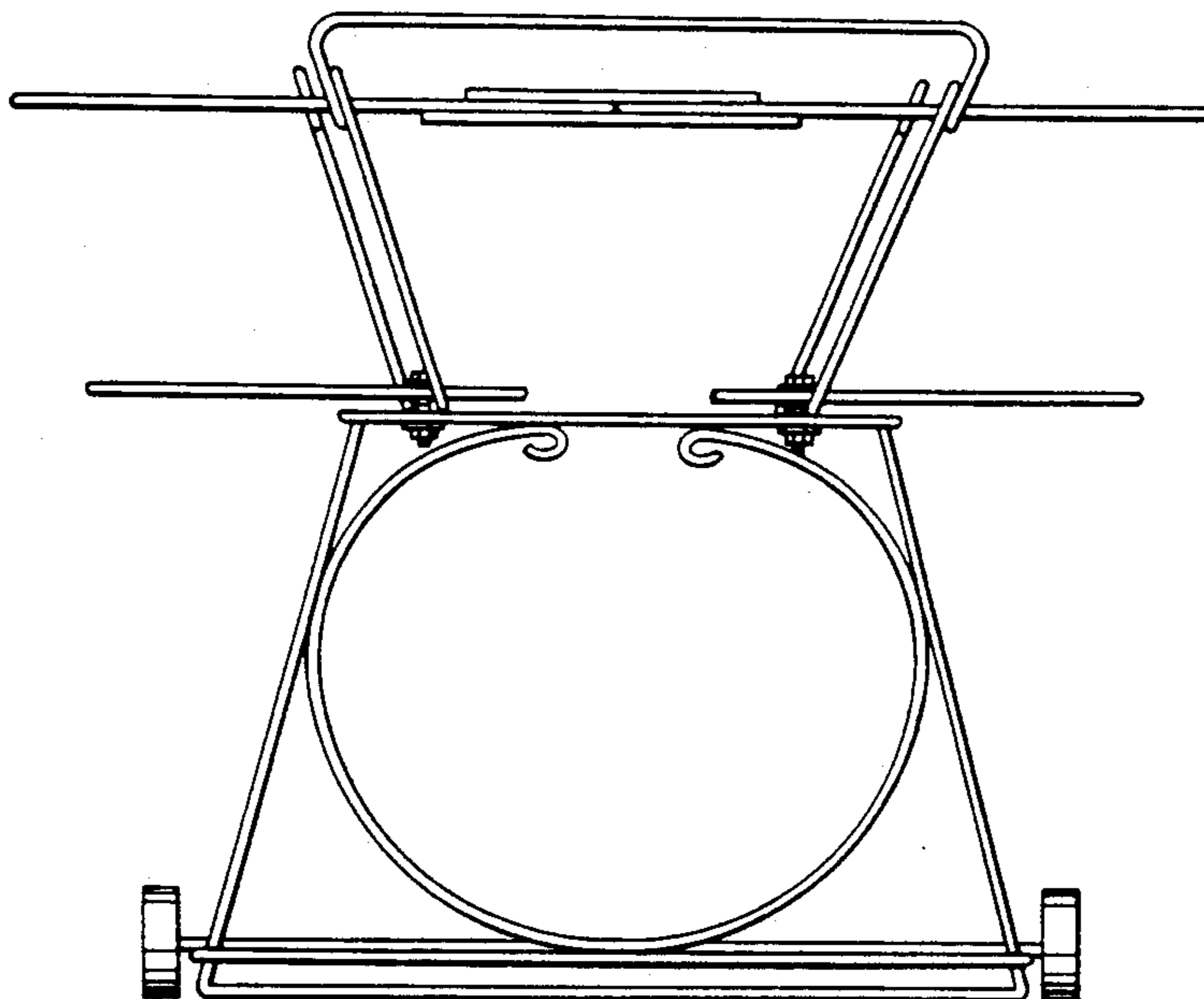
Primary Examiner—Kay H. Chin
Attorney, Agent, or Firm—Dowell & Dowell

[57] CLAIM

The ornamental designs for a mobile garbage can rack, as shown and described.

DESCRIPTION

FIG. 1 is a front elevational view of a mobile garbage can rack showing my new design; FIG. 2 is a rear elevational view thereof; FIG. 3 is a left side elevational view thereof; FIG. 4 is a right side elevational view thereof; and FIG. 5 is a top plan view thereof.



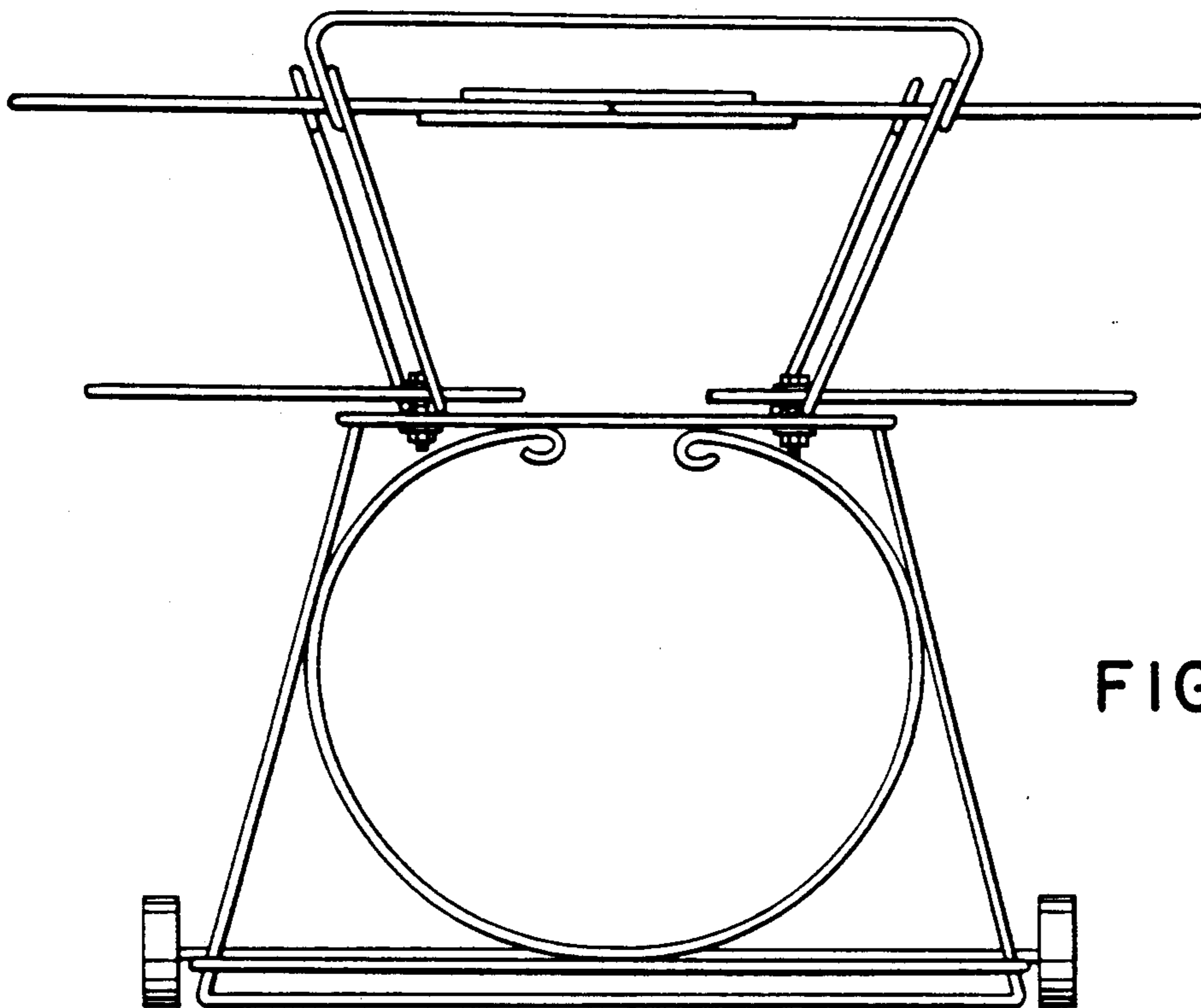


FIG. 1

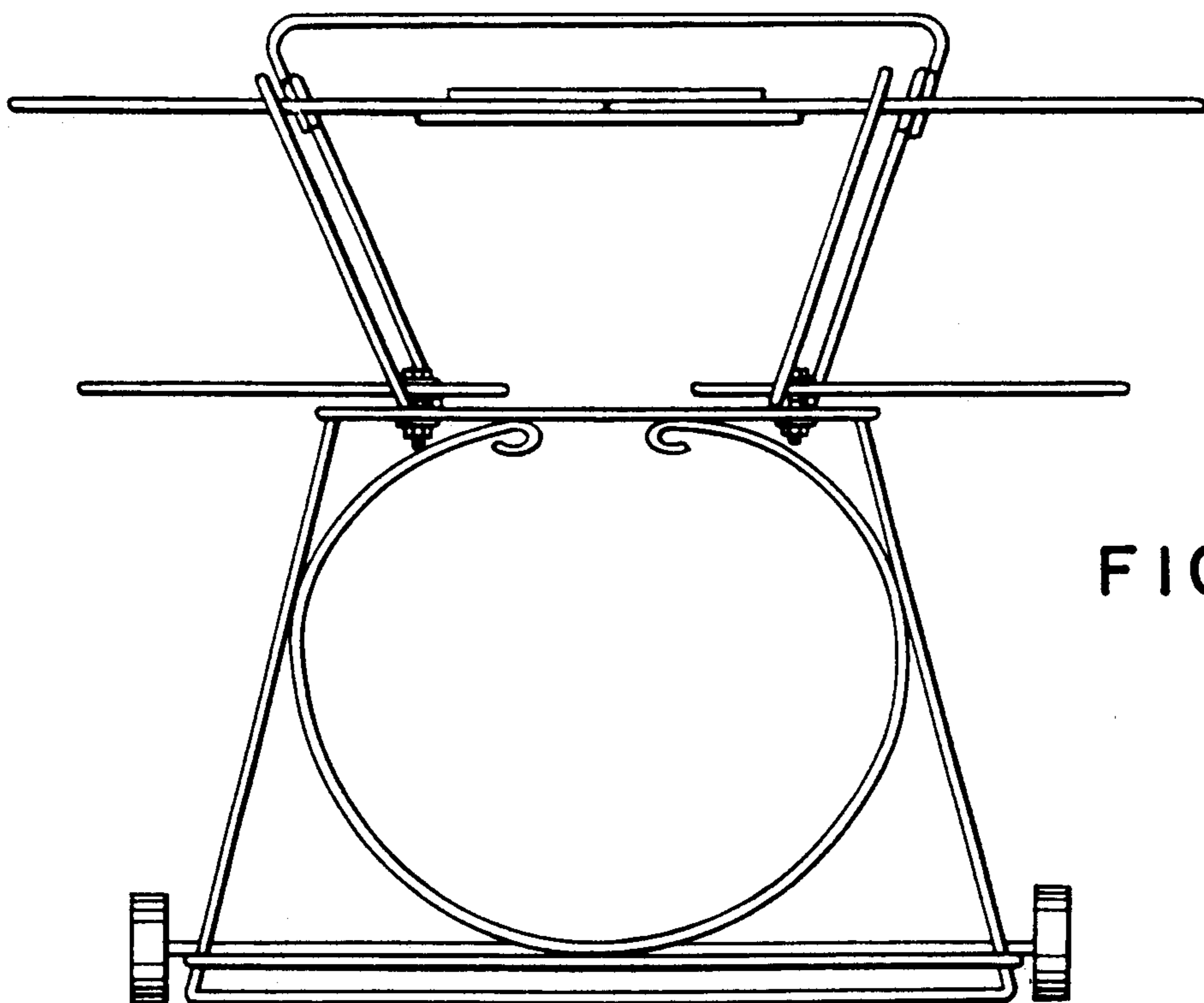


FIG. 2

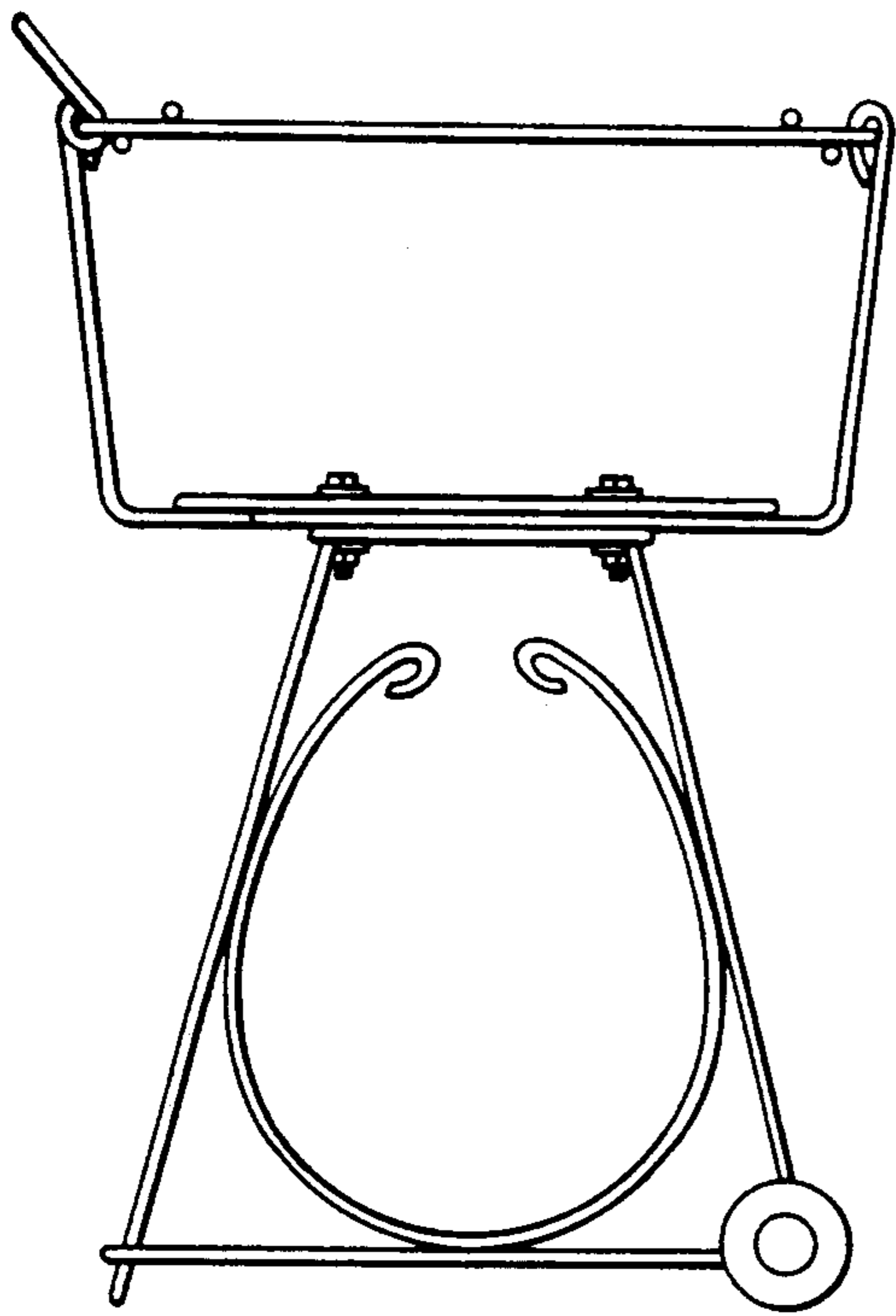


FIG. 3

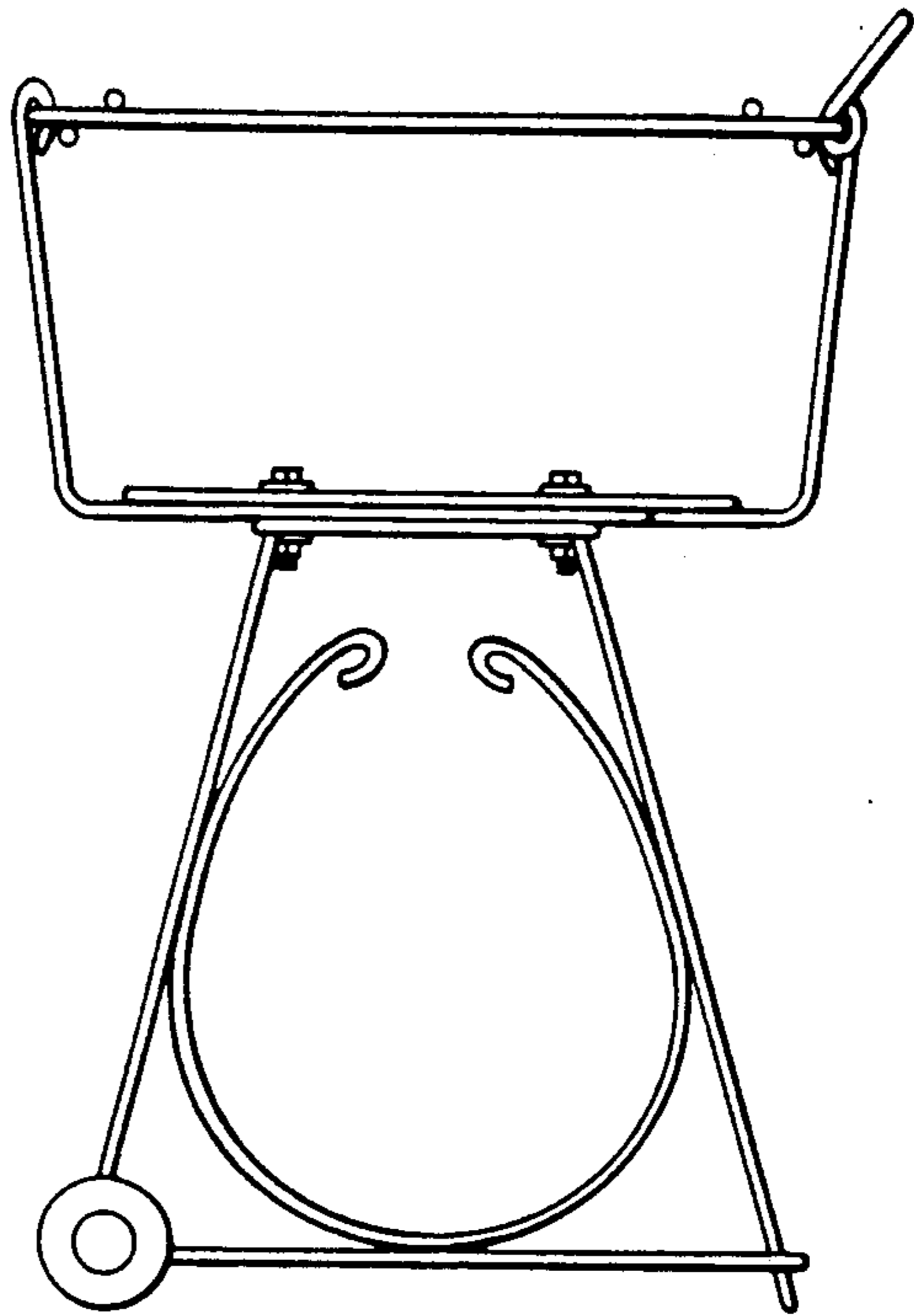


FIG. 4

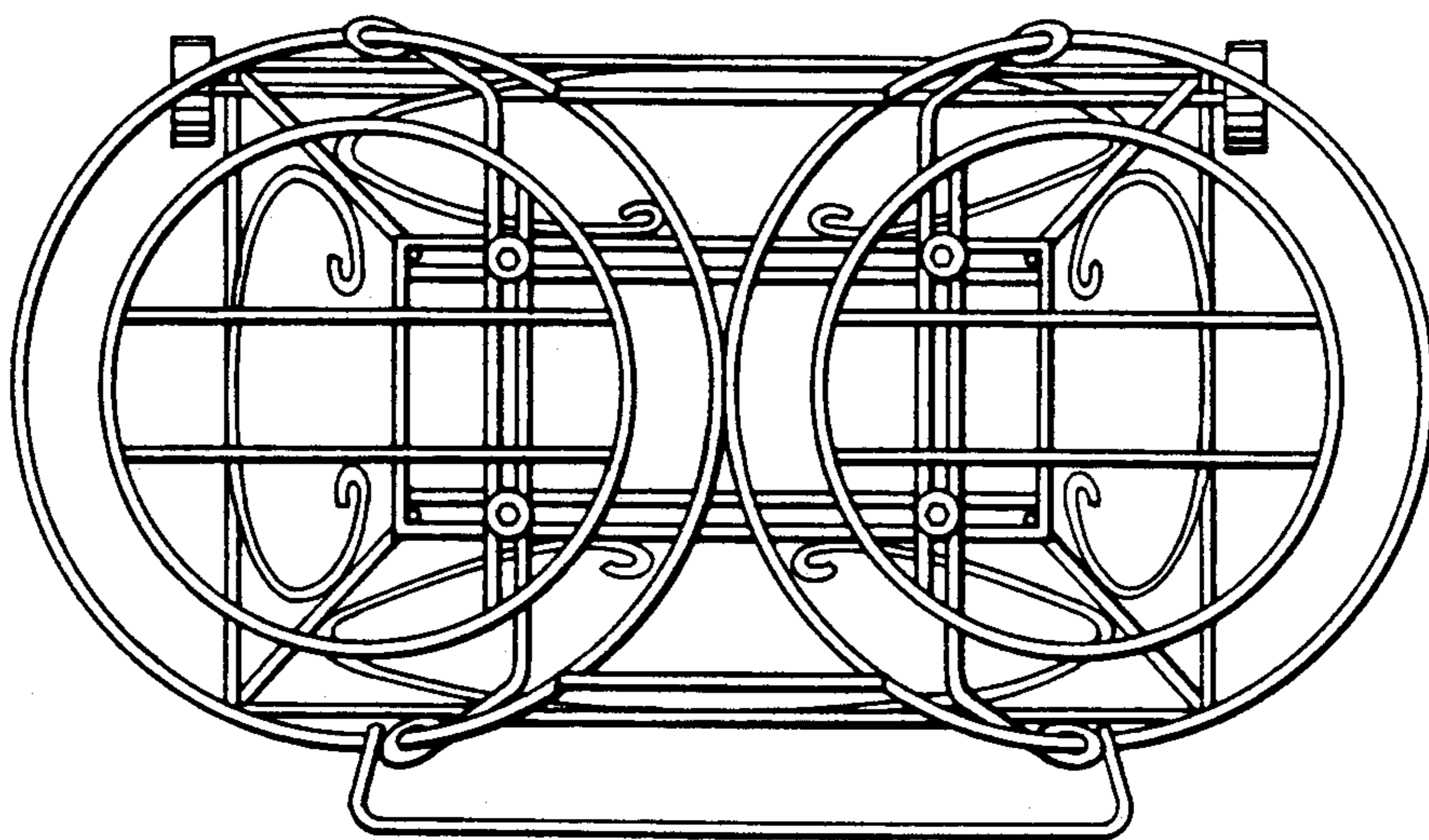


FIG. 5