

[54] DIPSTICK WIPER

[76] Inventors: David M. Banovich; Marilyn J. Banovich, both of 507 Allyn Pl., Fallon, Nev. 89406

[**] Term: 14 Years

[21] Appl. No.: 226,393

[22] Filed: Aug. 1, 1988

[52] U.S. Cl. D32/35

[58] Field of Search D32/35, 40; 15/104 R, 15/104.93, 104.165, 208, 209 R, 210 R, 210 B

[56] References Cited

U.S. PATENT DOCUMENTS

D. 85,961	1/1932	Steckler	D32/35
D. 246,885	1/1978	Haber	D32/43
2,365,022	12/1944	Sturtevant	15/210 R
4,010,512	3/1977	Addison et al.	15/210 B
4,422,204	12/1983	Long, Jr.	15/210 B

FOREIGN PATENT DOCUMENTS

710077	6/1954	United Kingdom	15/210 B
--------	--------	----------------	-------	----------

Primary Examiner—Wallace R. Burke

Assistant Examiner—Lavone D. Tabor
Attorney, Agent, or Firm—Lothrop & West

[57] CLAIM

The ornamental design for a dipstick wiper, as shown and described.

DESCRIPTION

FIG. 1 is a perspective view of a dipstick wiper showing our new design;

FIG. 2 is a side elevational view thereof, the opposite side being a mirror image;

FIG. 3 is an exploded elevational view thereof, showing the interior cartridge separated from the exterior cartridge;

FIG. 4 is an exploded elevational view similar to FIG. 3, but with the cartridges displaced 90° about their common longitudinal axis;

FIG. 5 is a top plan view thereof;

FIG. 6 is a bottom plan view thereof; and,

FIG. 7 is a bottom plan view taken from the direction of the arrows, 7—7, in FIG. 3.

The broken lines shown in FIGS. 2 and 4 are for illustrative purposes only and form no part of the claimed design.

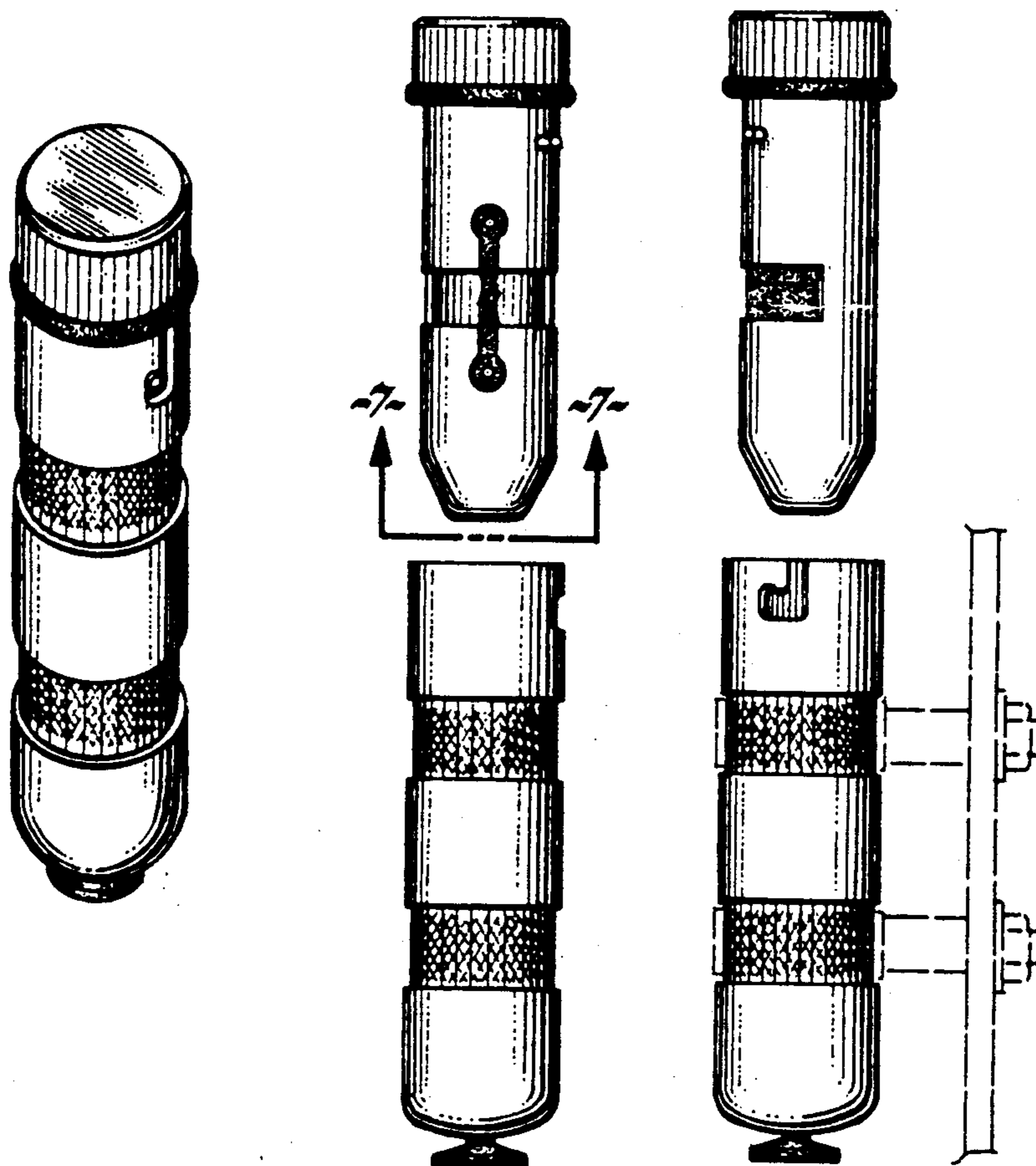


FIG-1

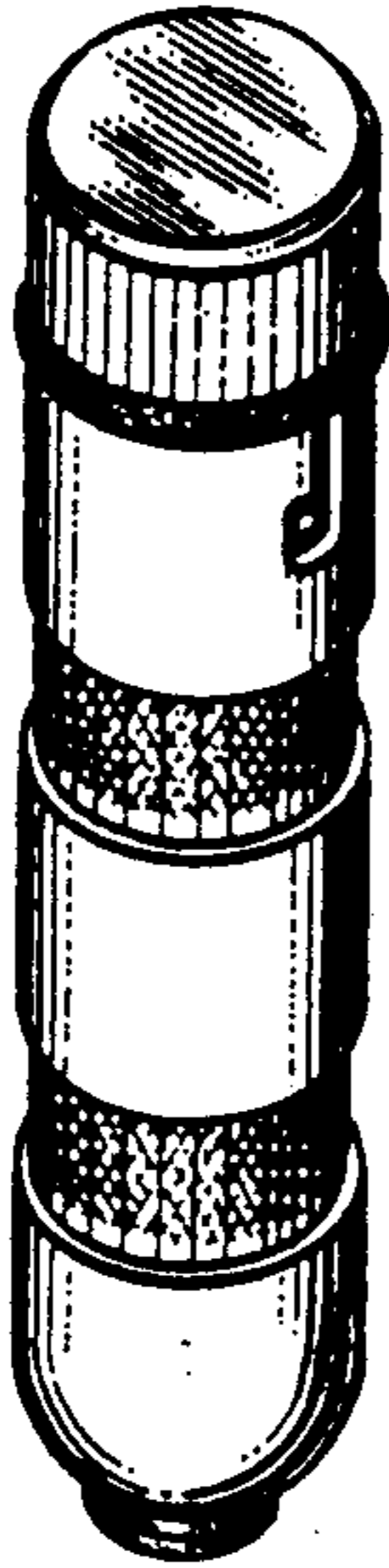


FIG-5



FIG-2

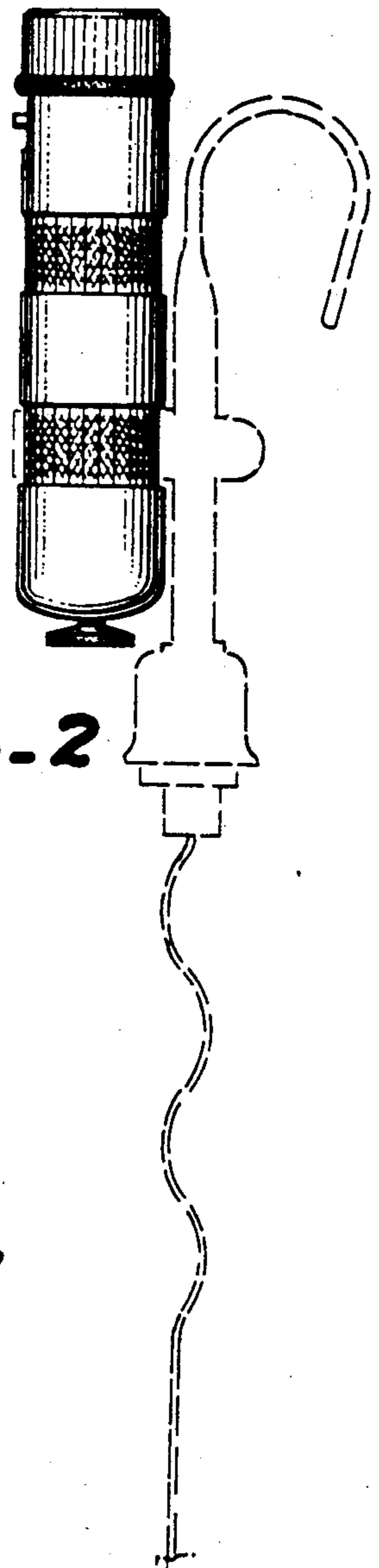


FIG-6

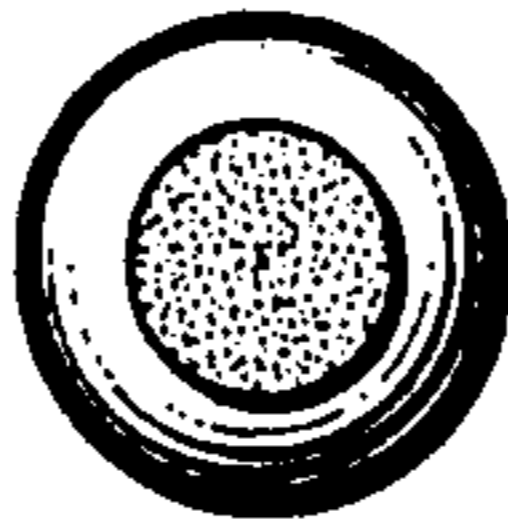


FIG-7



FIG-3

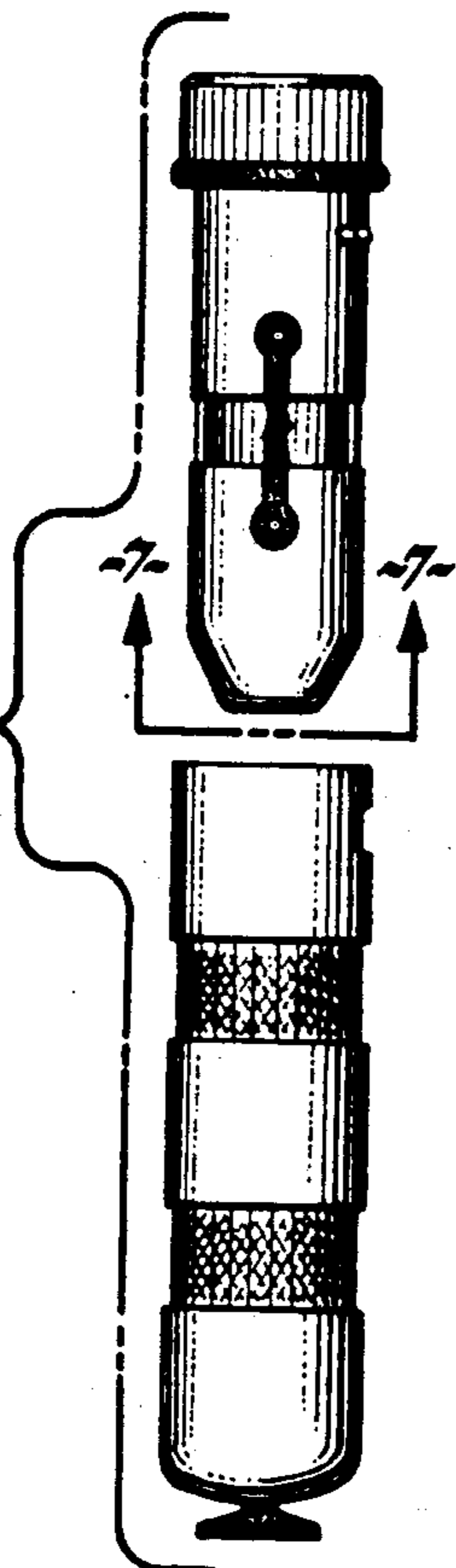


FIG-4

