

# United States Patent [19]

Van Asten et al.

[11] Patent Number: **Des. 318,153**

[45] Date of Patent: **\*\* Jul. 9, 1991**

[54] **VACUUM CLEANER**

[75] Inventors: **Jan F. Van Asten, Leek; Gerrit-Jan Van Surksun, Groningen, both of Netherlands**

[73] Assignee: **U.S. Philips Corporation, New York, N.Y.**

[\*\*] Term: **14 Years**

[21] Appl. No.: **369,544**

[22] Filed: **Jun. 19, 1989**

**Related U.S. Application Data**

[62] Division of Ser. No. 12,704, Feb. 9, 1987, Pat. No. Des. 302,877.

[30] **Foreign Application Priority Data**

Aug. 14, 1986 [XB] Benelux ..... 61299  
[52] U.S. Cl. .... **D32/21**  
[58] Field of Search ..... **D32/21, 23-24;**  
**15/320-321, 323, 327 R, 327 F, 327 D, 327 E,**  
**353, 412**

[56] **References Cited**

**U.S. PATENT DOCUMENTS**

D. 286,695 11/1986 Nupp ..... D32/21  
D. 289,213 4/1987 Perkins ..... D32/24  
D. 290,896 7/1987 Kim ..... D32/24  
D. 292,833 11/1987 Busalt ..... D32/24  
D. 296,944 7/1988 Yamamoto et al. .... D32/21  
D. 297,871 9/1988 Slany et al. .... D32/21

*Primary Examiner*—A. Hugo Word  
*Assistant Examiner*—Doris V. Coles

[57] **CLAIM**

The ornamental design for a vacuum cleaner, as shown and described.

**DESCRIPTION**

FIG. 1 is a front, top, and left side perspective view of a vacuum cleaner, showing our new design; FIG. 2 is a left side elevational view thereof; FIG. 3 is a right side elevational view thereof; FIG. 4 is a top plan view thereof; FIG. 5 is a bottom plan view thereof; FIG. 6 is a front elevational view thereof; and FIG. 7 is a rear elevational view thereof.

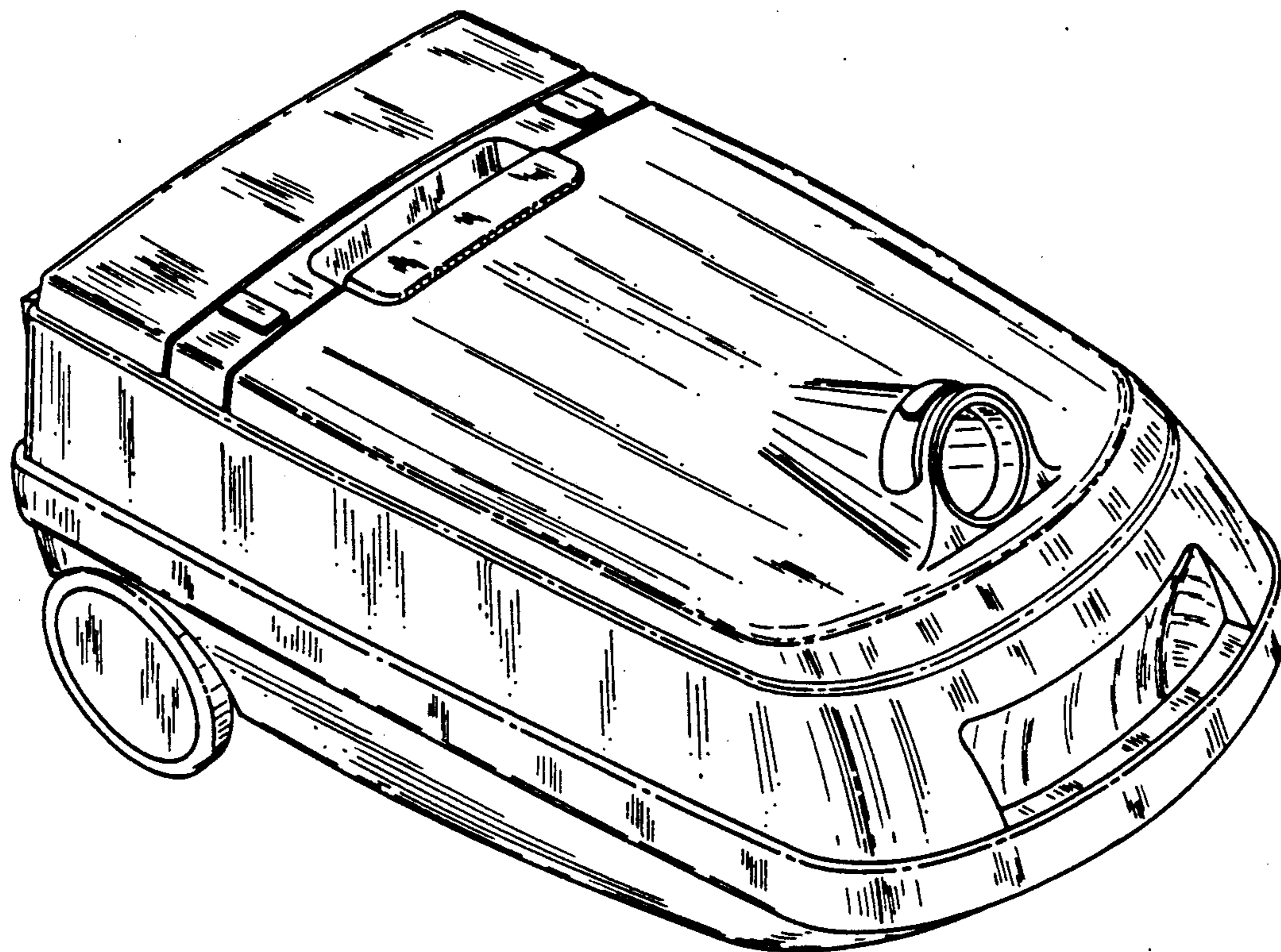


FIG. 1

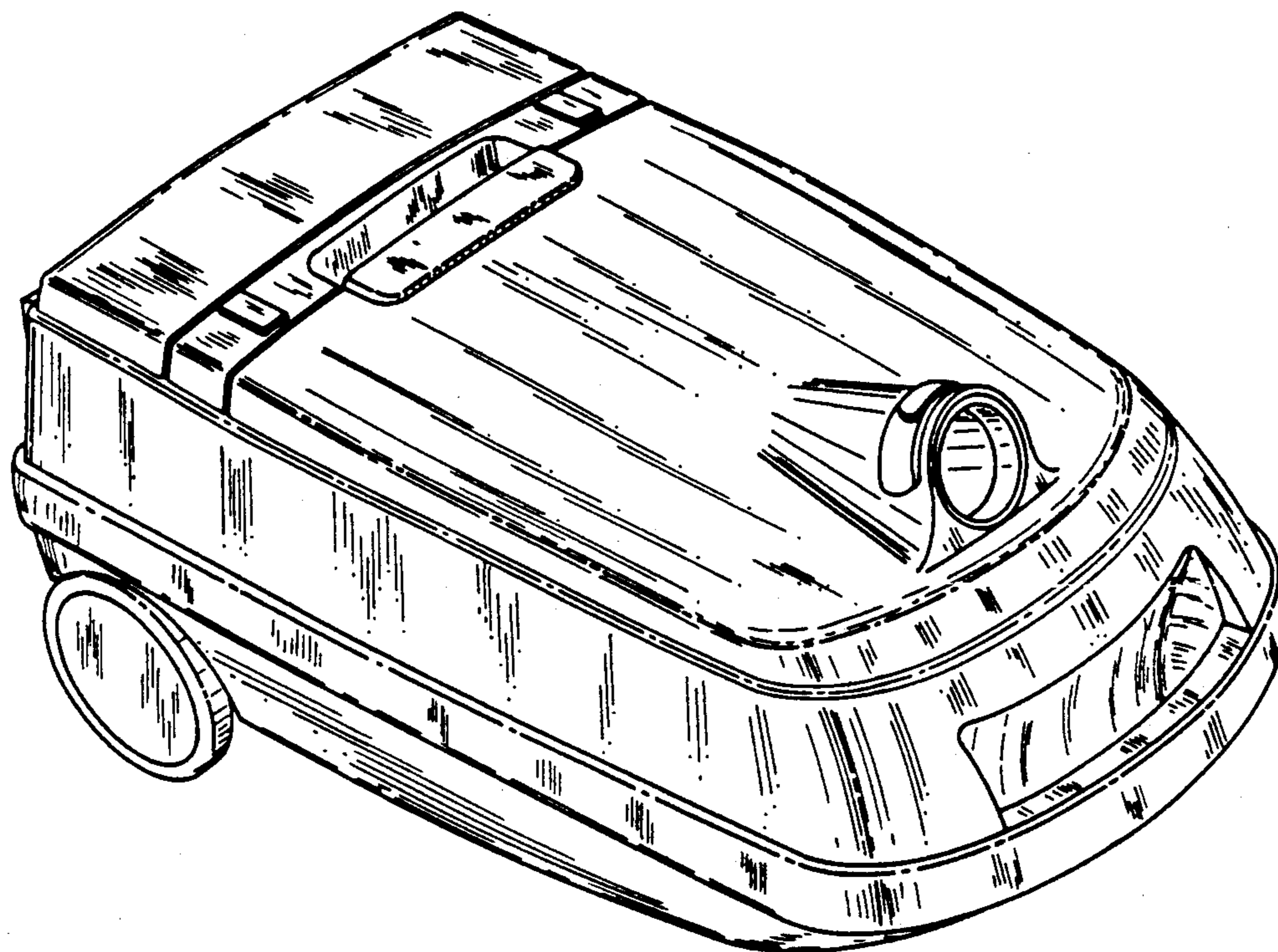


FIG. 2

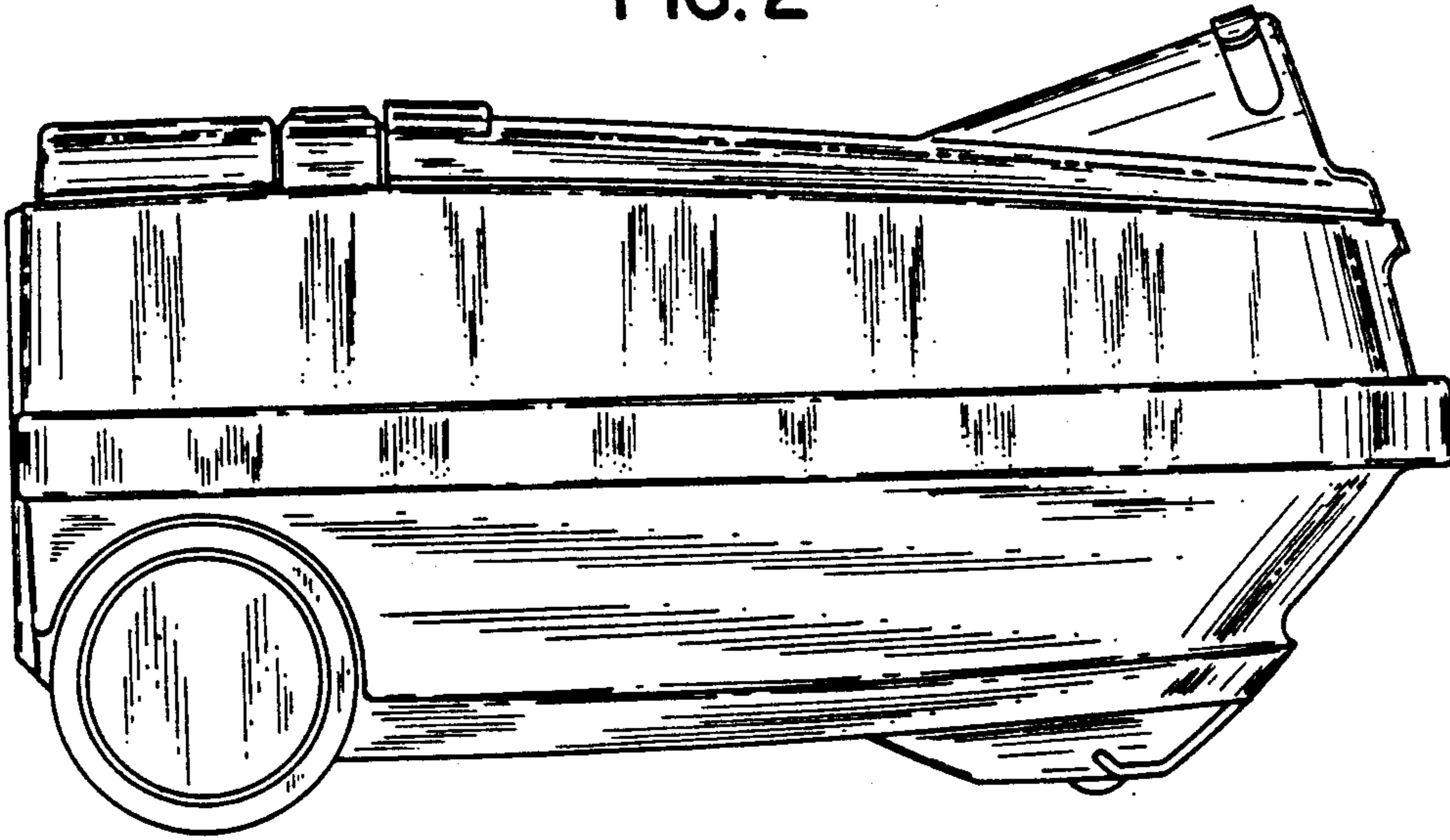


FIG. 3

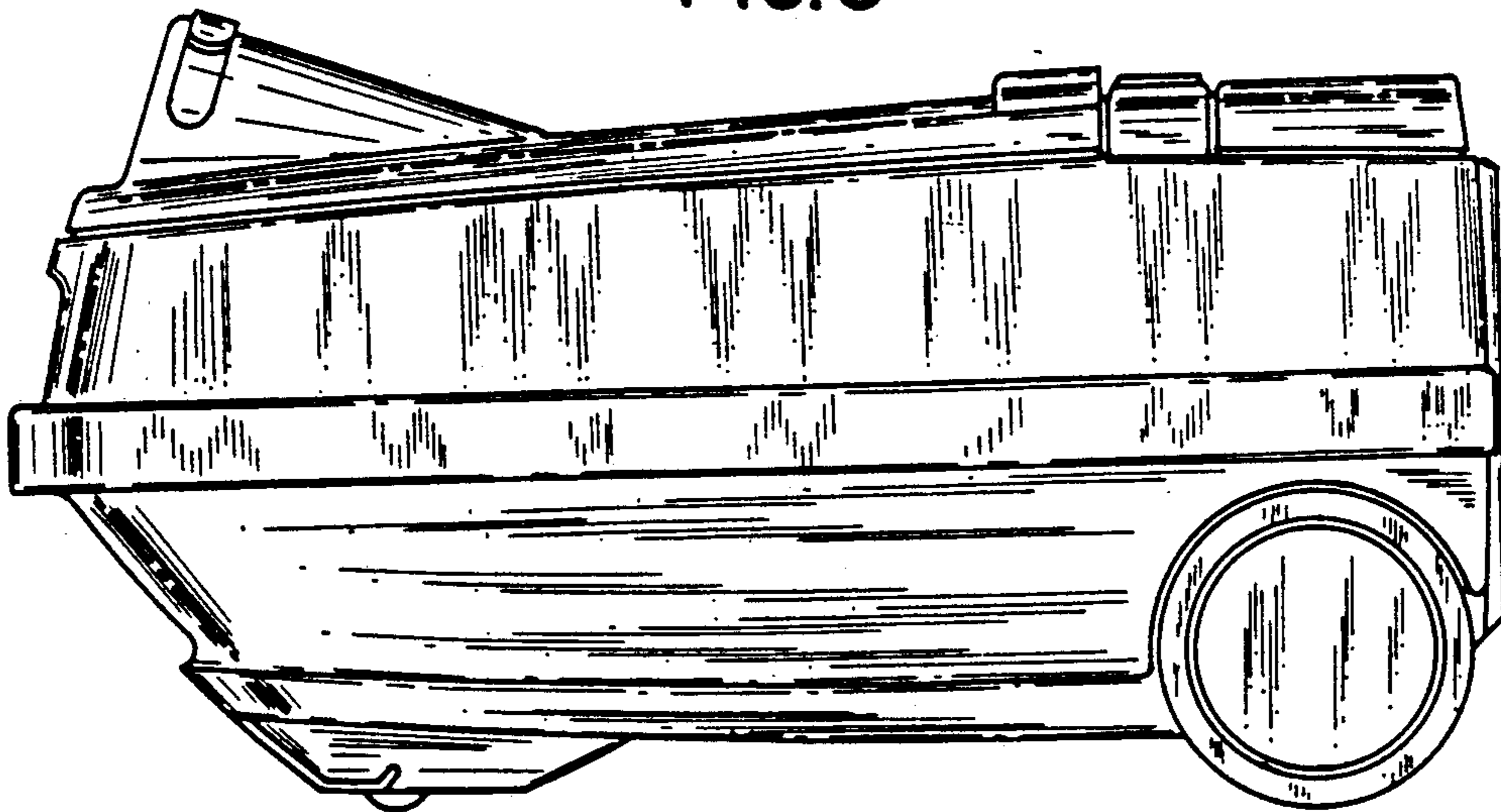




FIG. 4

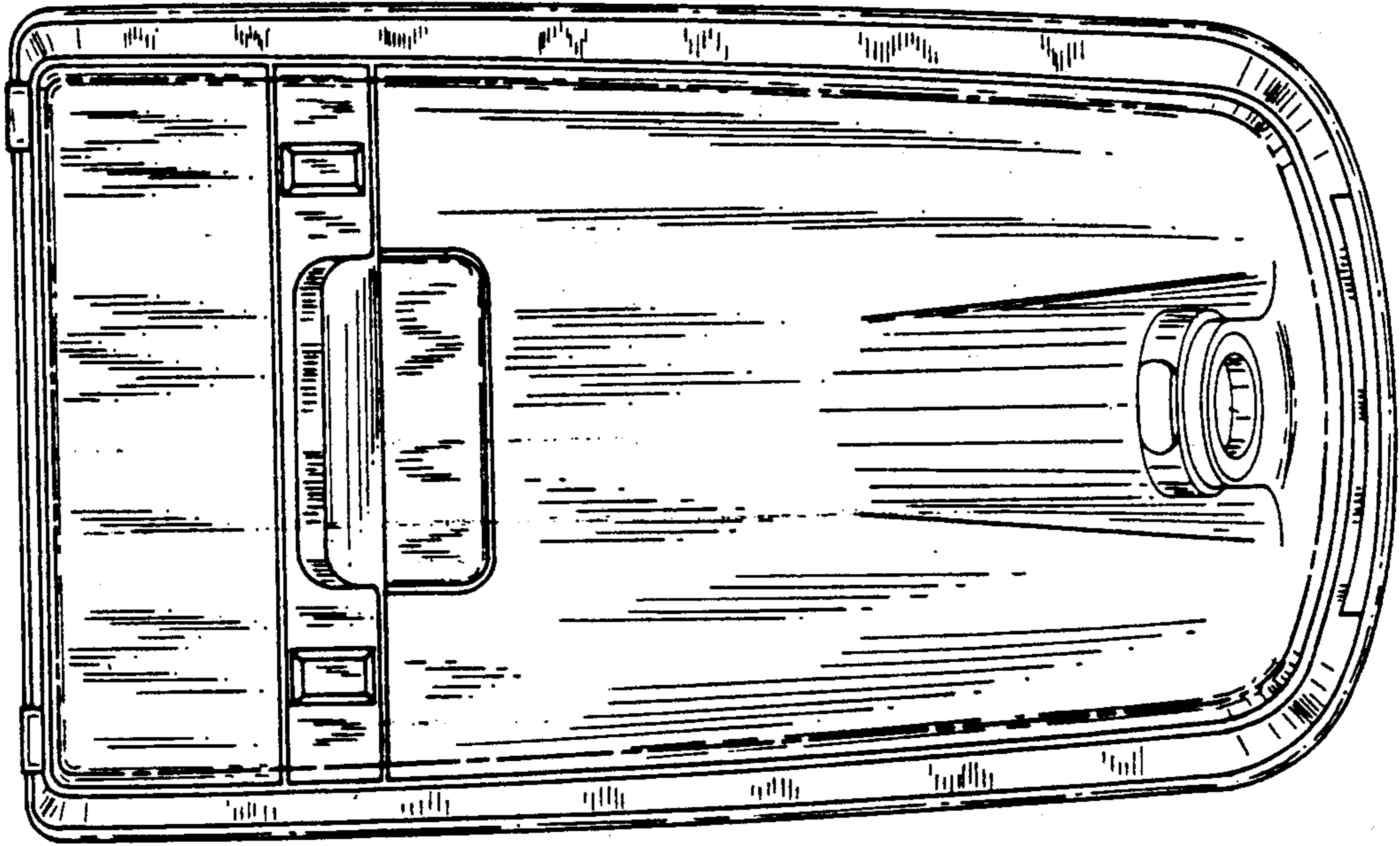


FIG. 5

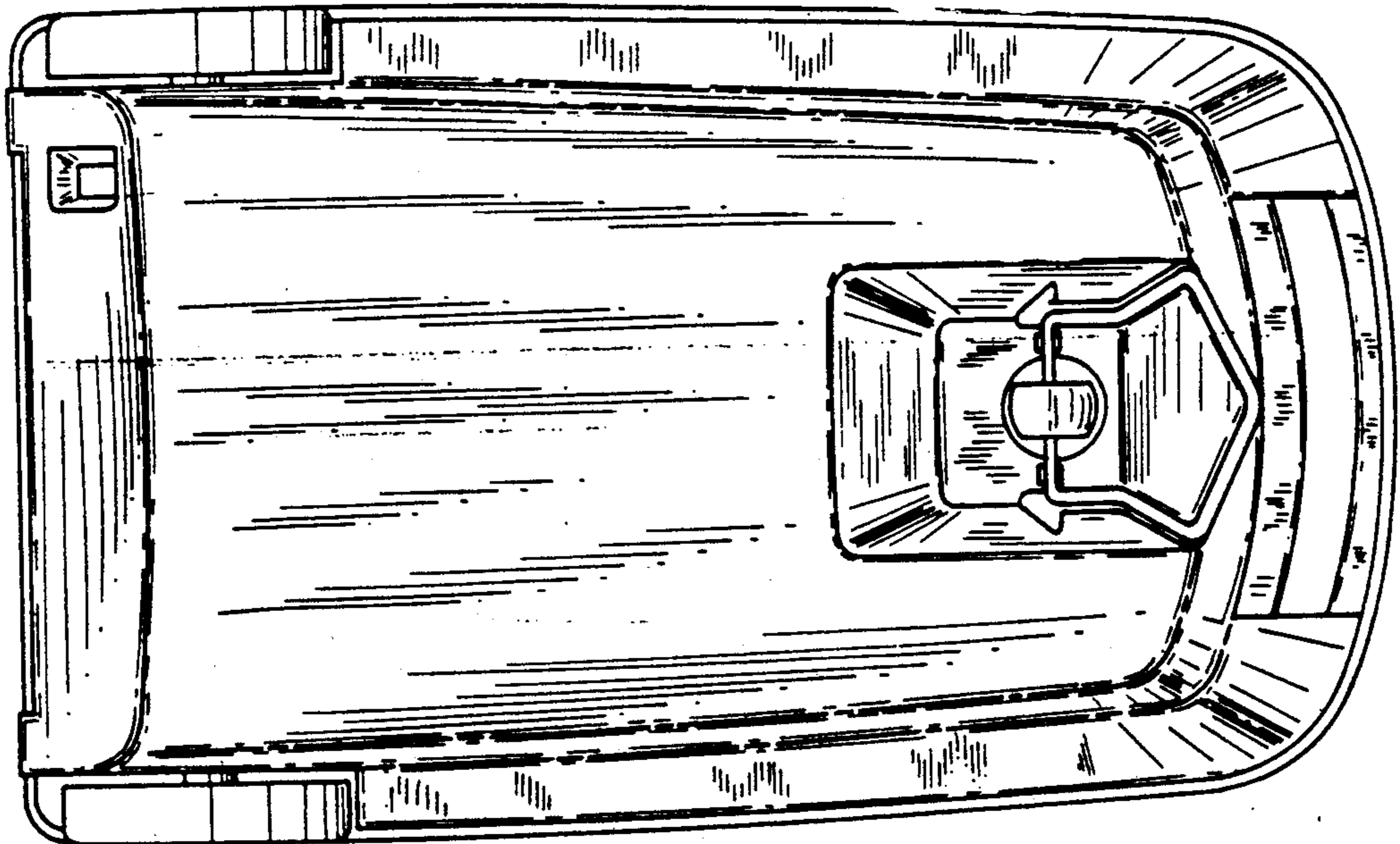


FIG. 6

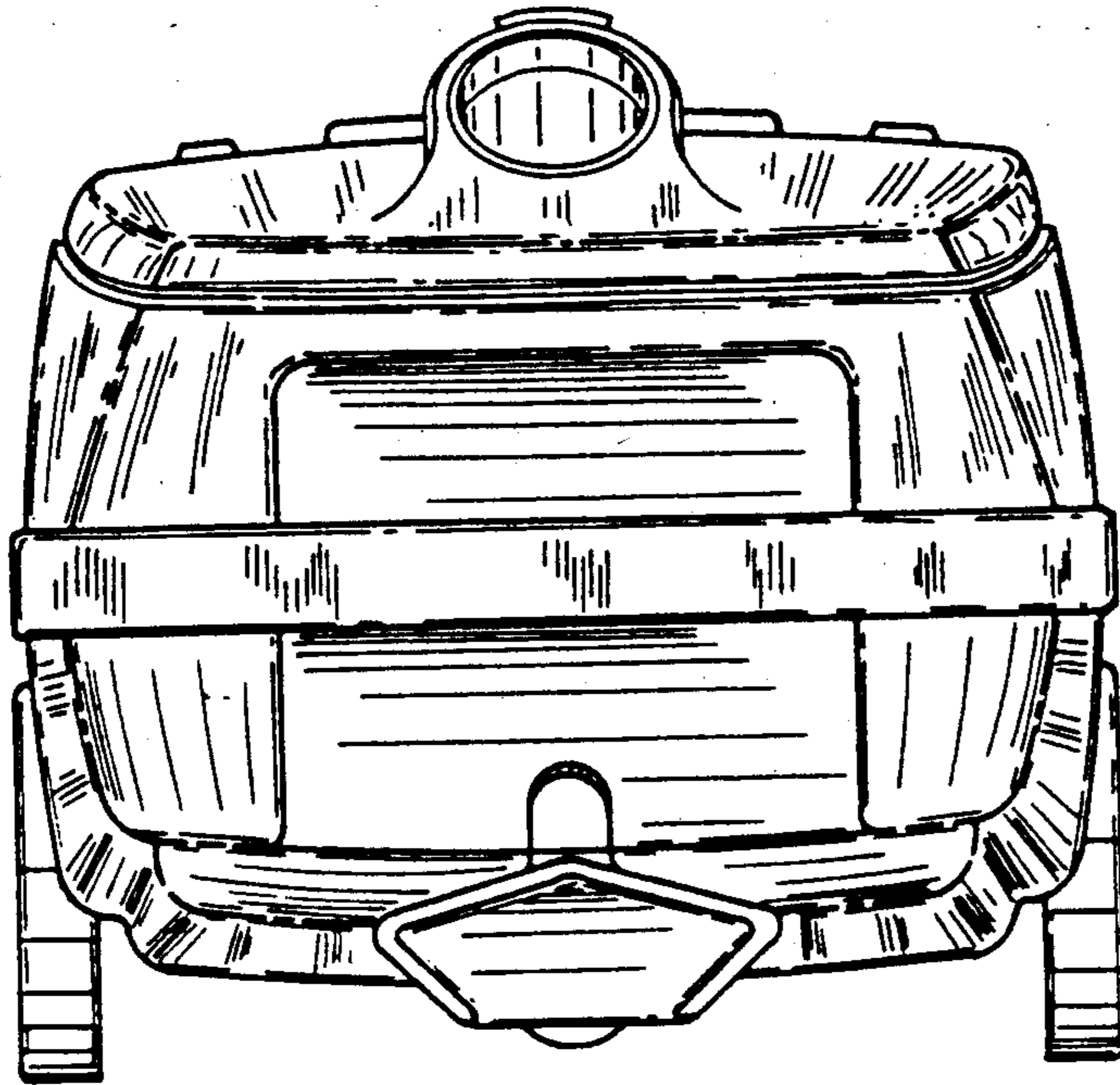


FIG. 7

