

[54] ELECTRIC ANIMAL PROD
[76] Inventor: Robert E. Young, 389 Heckathorne
Ch. Rd., Seneca, Pa. 16346
[**] Term: 14 Years
[21] Appl. No.: 157,520
[22] Filed: Feb. 19, 1988
[52] U.S. Cl. D30/156
[58] Field of Search D30/156; 231/7;
273/84 ES; 361/234; 119/29

4,712,510 12/1987 Tae-Ho 119/29

Primary Examiner—Louis S. Zarfes
Assistant Examiner—R. T. Seifert
Attorney, Agent, or Firm—Jerry T. Kearns

[57] CLAIM

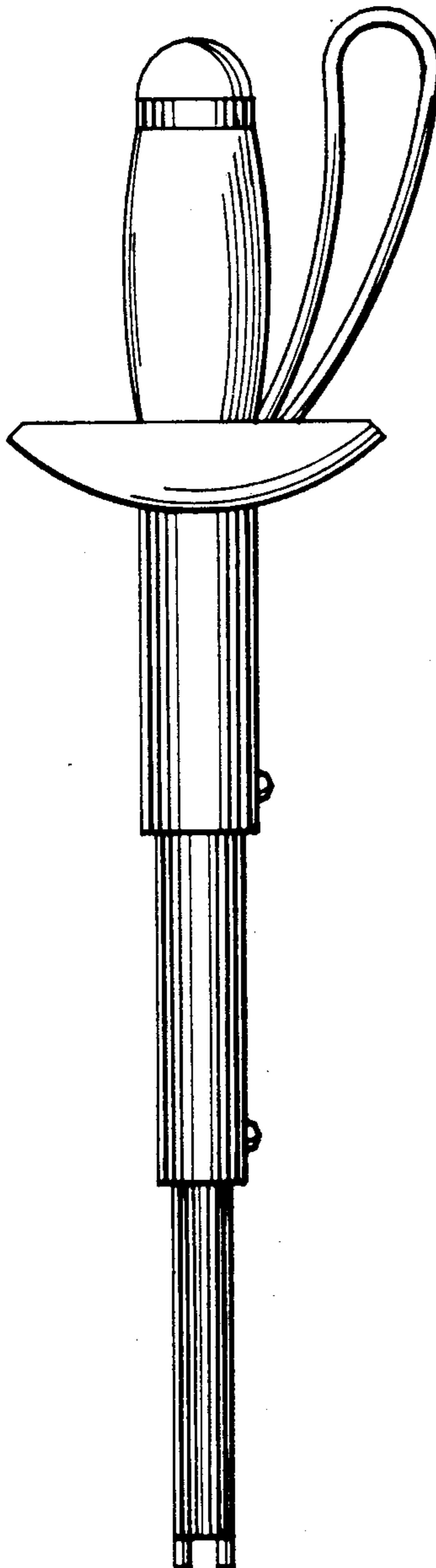
The ornamental design for an electric animal prod, as shown and described.

DESCRIPTION

FIG. 1 is a front elevational view of an electric animal prod showing my new design;
FIG. 2 is a rear elevational view thereof;
FIG. 3 is a left side elevational view thereof;
FIG. 4 is a right side elevational view thereof;
FIG. 5 is a top plan view thereof; and,
FIG. 6 is a bottom plan view thereof.

[56] References Cited
U.S. PATENT DOCUMENTS

D. 289,313 4/1987 Shy D22/117
2,176,994 10/1939 Hansen et al. D30/156
2,204,041 6/1940 Jefferson D30/156



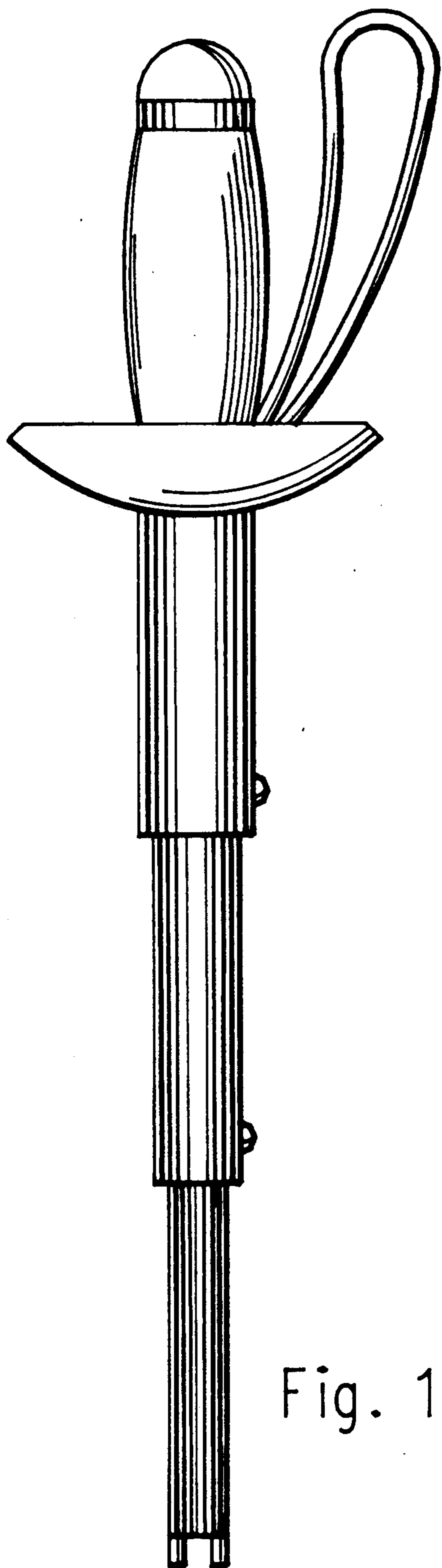


Fig. 1

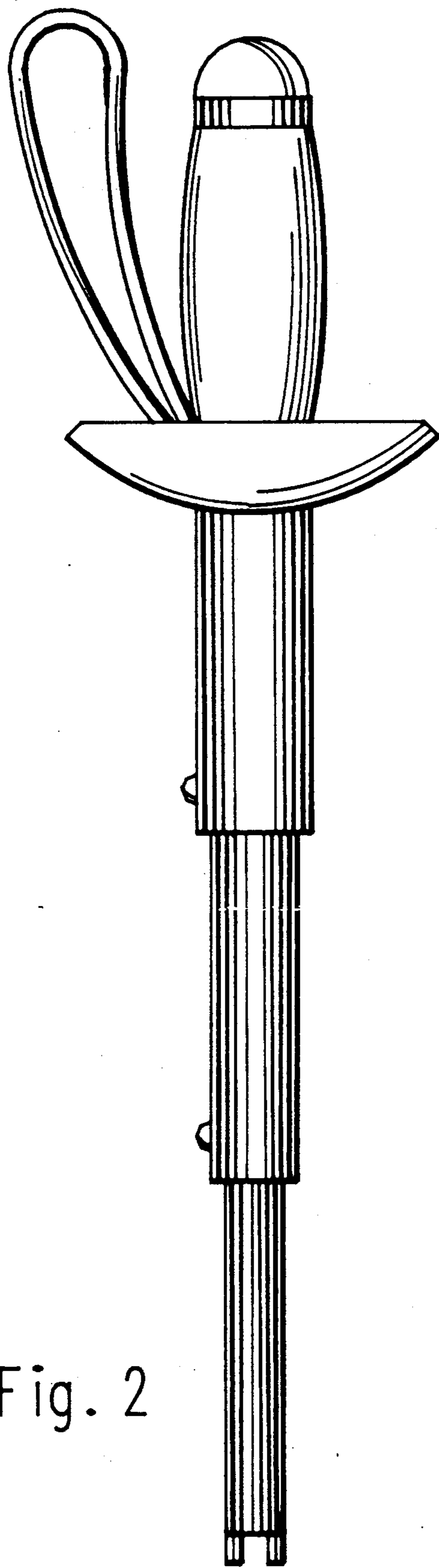


Fig. 2

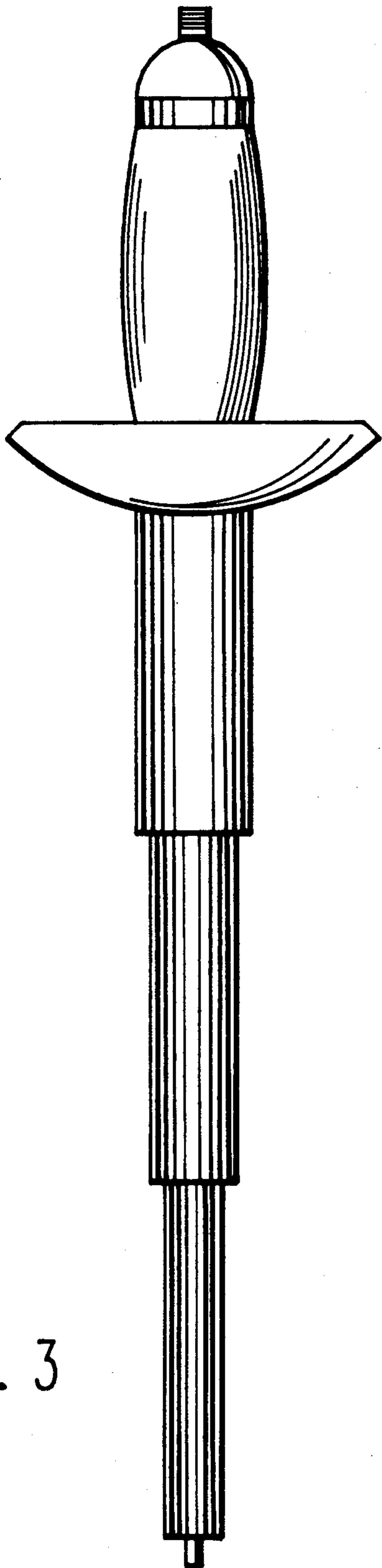


Fig. 3

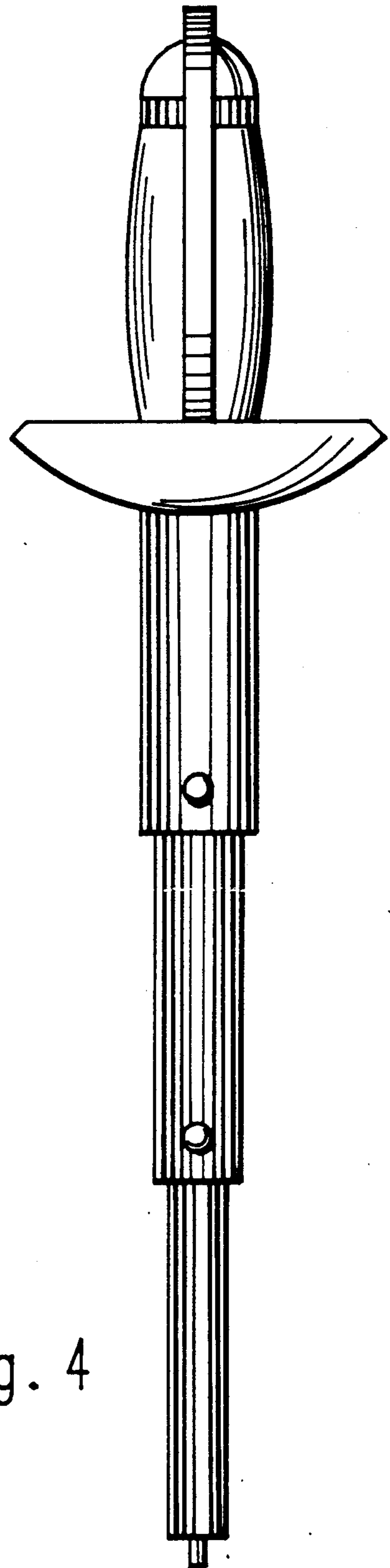


Fig. 4

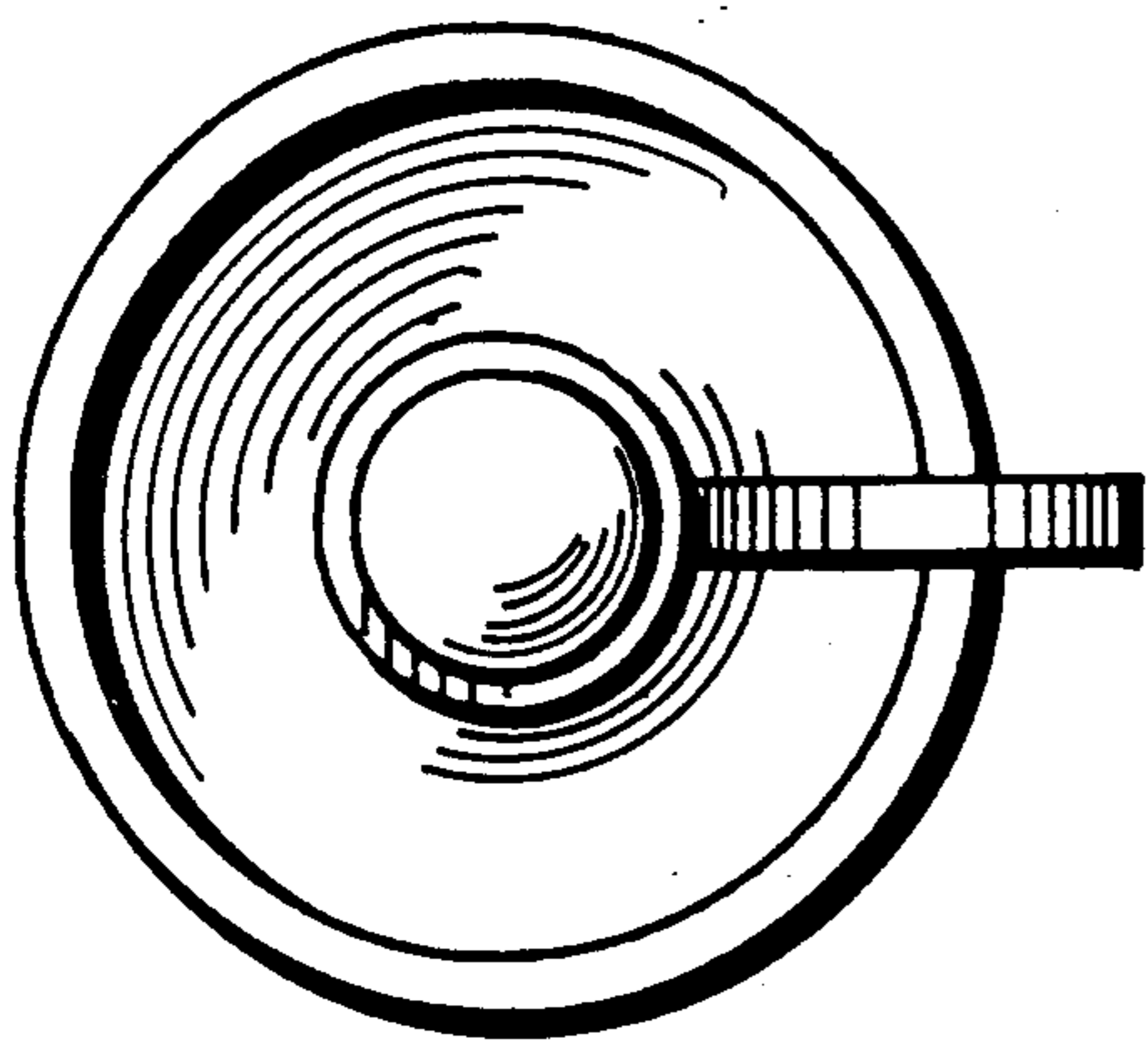


Fig. 5

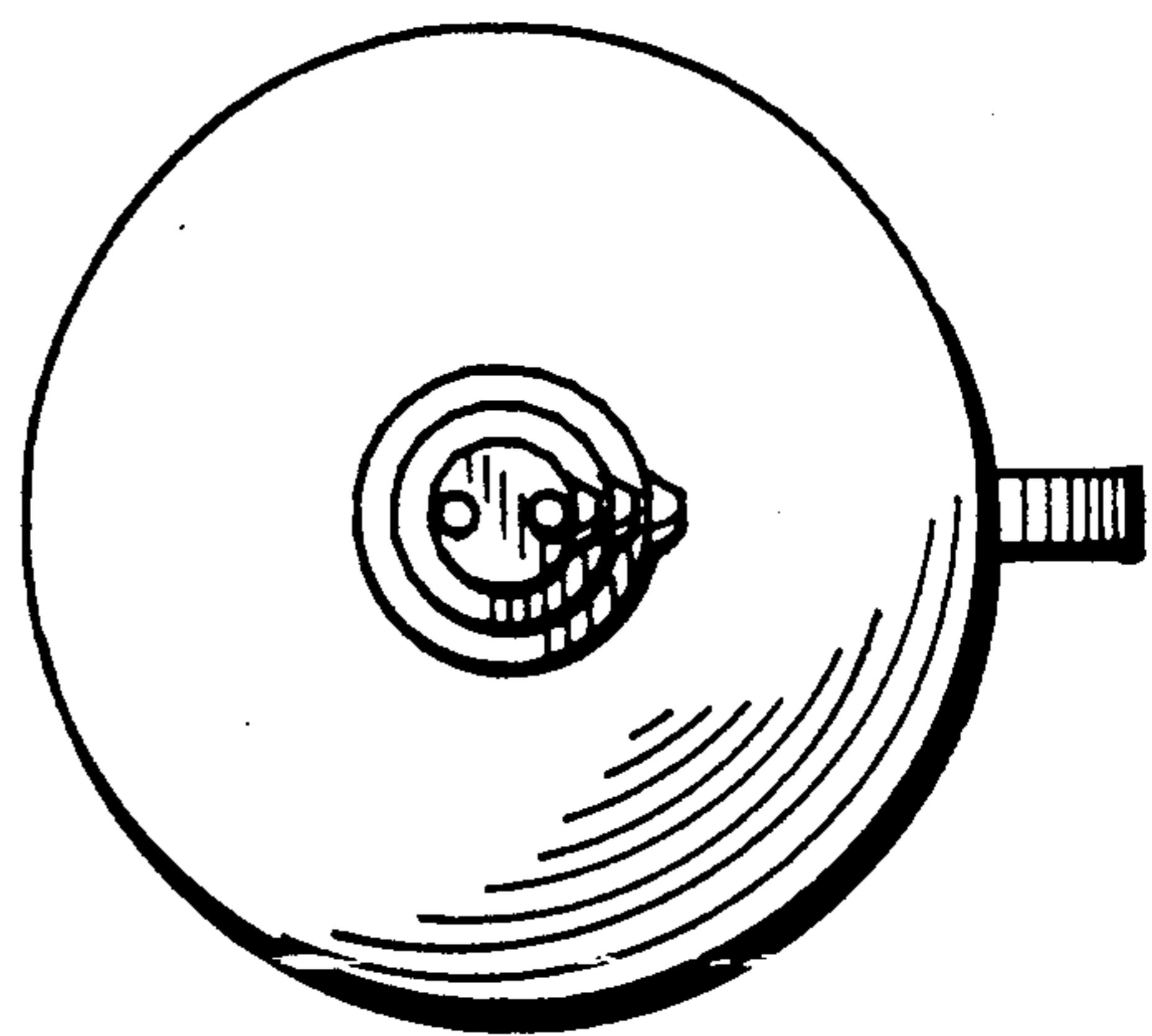


Fig. 6