

[54] **COMBINED CONTAINER/BOTTLE AND COSMETIC WAND APPLICATORS OR THE LIKE**

[75] Inventors: **Henry J. Cassai**, 163-47 85 St., Howard Beach, N.Y. 11414; **Gino H. Cassai, deceased**, late of Brooklyn, N.Y., by Josephine Cassai, legal representative

[73] Assignee: **Henry J. Cassai**, Howard Beach, N.Y.

[**] Term: **14 Years**

[21] Appl. No.: **397,298**

[22] Filed: **Aug. 23, 1989**

Related U.S. Application Data

[62] Division of Ser. No. 337,531, Apr. 14, 1989, Pat. No. Des. 307,337, which is a division of Ser. No. 765,394, Aug. 14, 1985, abandoned.

[52] U.S. Cl. **D28/7**

[58] Field of Search **D28/4-8, D28/61, 73, 76-91.1; D9/337, 338, 341, 347, 352, 307, 327, 413; D3/39; 220/DIG. 26; 206/235, 385, 581, 823; 132/286, 288, 293, 294, 297-301, 303-305, 313-318**

[56] **References Cited**

U.S. PATENT DOCUMENTS

D. 54,833	4/1920	Clodfelter	D28/91	X
D. 164,755	10/1951	Younghusband	D28/91	X
D. 261,108	10/1981	Harris	D9/377	X
2,159,872	5/1939	Younghusband	D28/85	

FOREIGN PATENT DOCUMENTS

2037409 2/1972 Fed. Rep. of Germany D28/7

Primary Examiner—Louis S. Zarfaz

[57] **CLAIM**

The ornamental design for a combined container/bottle and cosmetic wand applicators or the like, as shown and described.

DESCRIPTION

FIG. 1 is a partially exploded front elevational view of

a combined container/bottle and cosmetic wand applicators or the like, showing our new design;

FIG. 2 is an exploded rear elevational view thereof;

FIG. 3 is a side elevational view of FIG. 1, with applicator caps on;

FIG. 4 is another side elevational view showing a second embodiment of our new design wherein the applicator caps have been modified;

FIG. 5 is a top plan view of FIG. 1 with applicator caps removed;

FIG. 6 is a bottom plan view thereof with applicator cap removed;

FIG. 7 is a partially exploded front elevational view of a combined container/bottle and cosmetic wand applicators or the like, showing a third embodiment of our new design;

FIG. 8 is an exploded rear elevational view thereof;

FIG. 9 is a side elevational view of FIG. 7, with applicator caps on;

FIG. 10 is another side elevational view showing a fourth embodiment of our new design wherein the applicator caps have been modified;

FIG. 11 is a top plan view of FIG. 7 with applicator caps removed;

FIG. 12 is a bottom plan view thereof with applicator cap removed;

FIG. 13 is a partially exploded front elevational view of a combined container/bottle and cosmetic wand applicators or the like, showing a fifth embodiment of our new design;

FIG. 14 is an exploded rear elevational view thereof;

FIG. 15 is a side elevational view of FIG. 13 with applicator caps on;

FIG. 16 is another side elevational view showing a sixth embodiment of our new design wherein the applicator caps have been modified;

FIG. 17 is a top plan view of FIG. 13 with applicator caps removed;

FIG. 18 is a bottom plan view thereof with applicator cap removed;

FIG. 19 is a partially exploded front elevational view of a combined container/bottle and cosmetic wand applicators or the like, showing a seventh embodiment of our new design;

FIG. 20 is an exploded rear elevational view thereof;

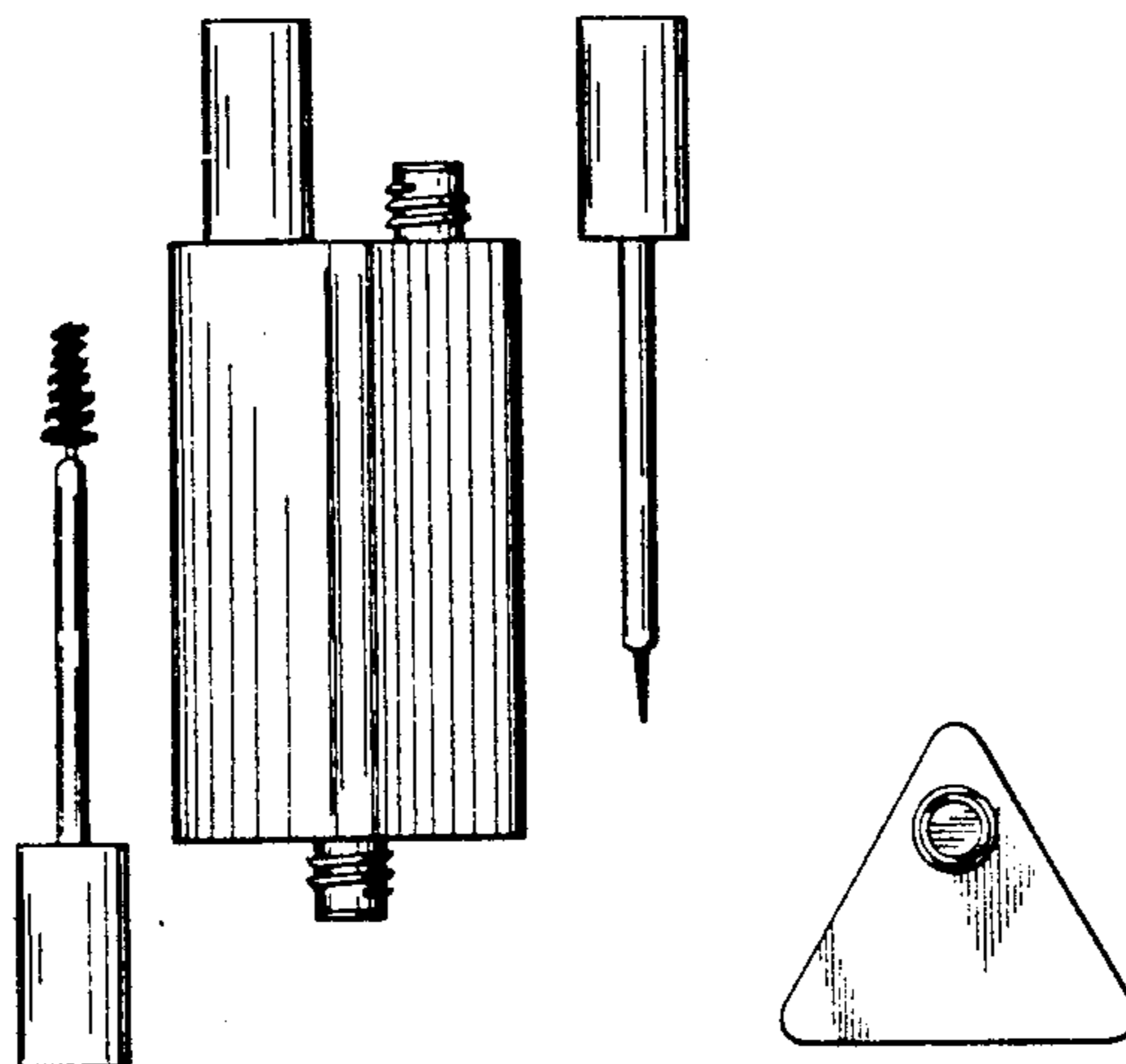


FIG. 21 is a side elevational view of FIG. 19 with applicator caps on;

FIG. 22 is another side elevational view showing an eighth embodiment of our new design wherein the applicator caps have been modified;

FIG. 23 is a top plan view of FIG. 19 with applicator caps removed;

FIG. 24 is a bottom plan view thereof with applicator cap removed;

FIG. 25 is a partially exploded front elevational view of a combined container/bottle and cosmetic wand appli-

cators or the like, showing a ninth embodiment of our new design;

FIG. 26 is an exploded rear elevational view thereof;

FIG. 27 is a side elevational view of FIG. 25 with applicator caps on;

FIG. 28 is another side elevational view showing a tenth embodiment of our new design wherein the applicator caps have been modified;

FIG. 29 is a top plan view of FIG. 25 with applicator caps removed; and

FIG. 30 is a bottom plan view thereof with applicator cap removed.

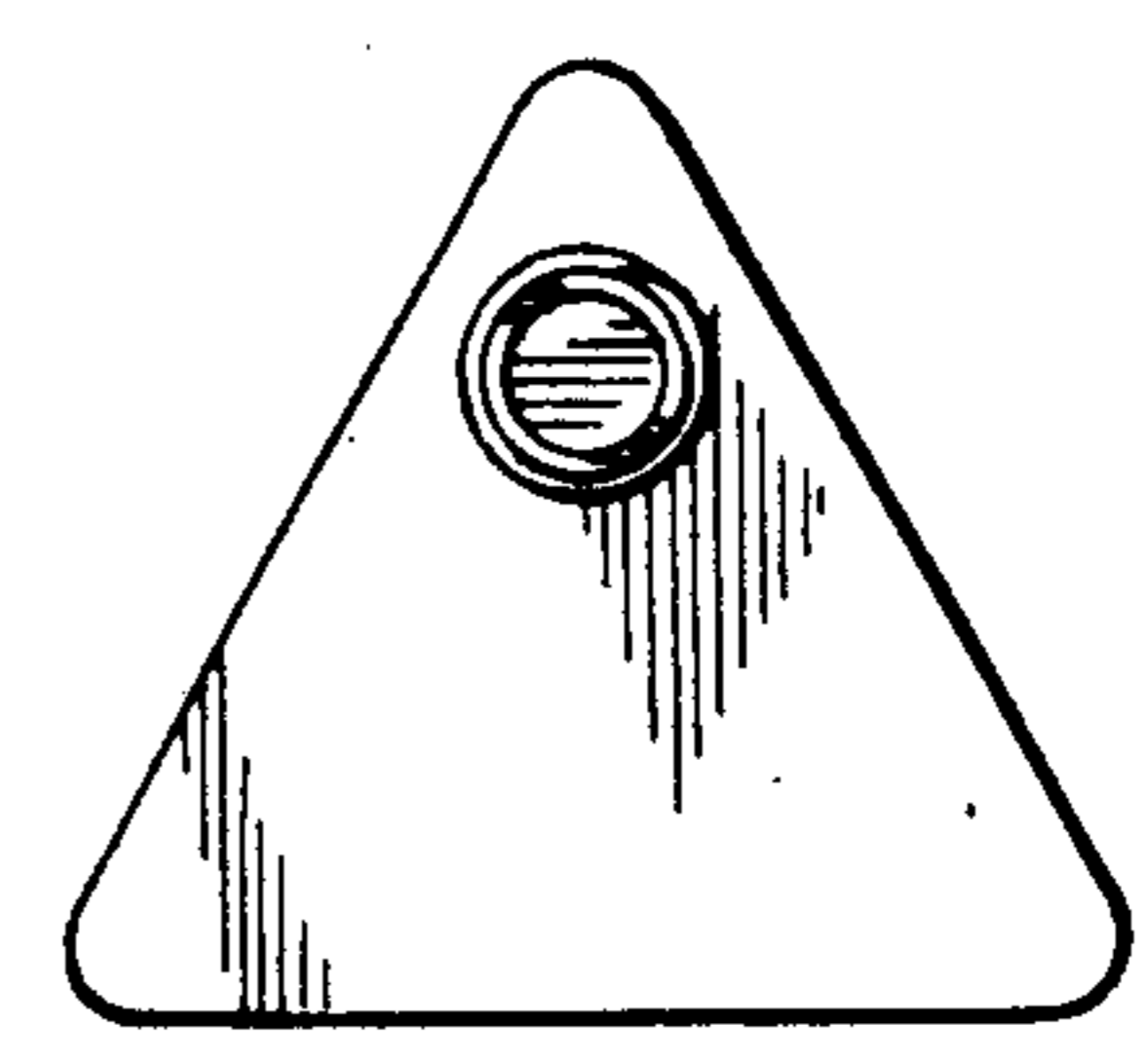
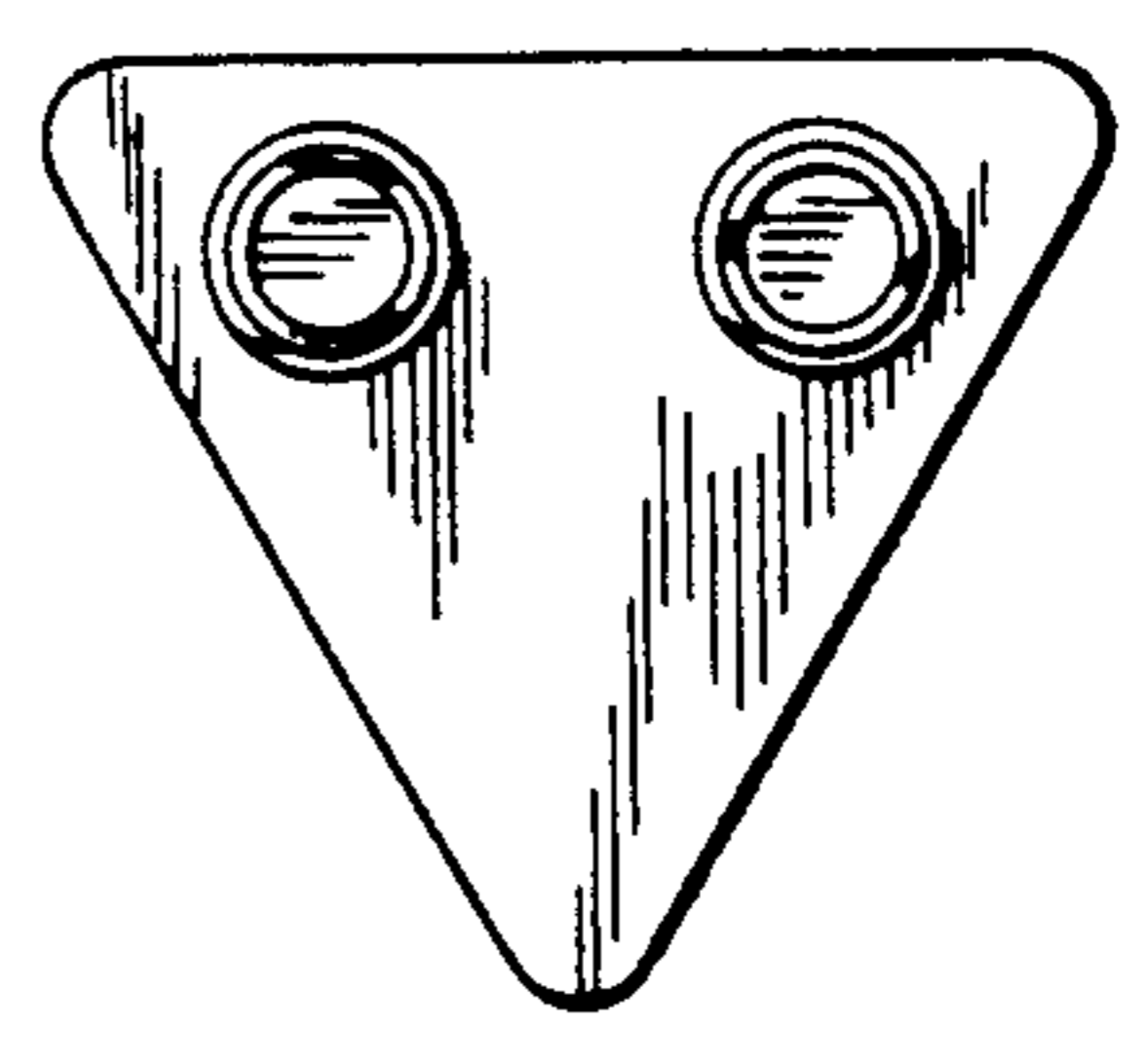
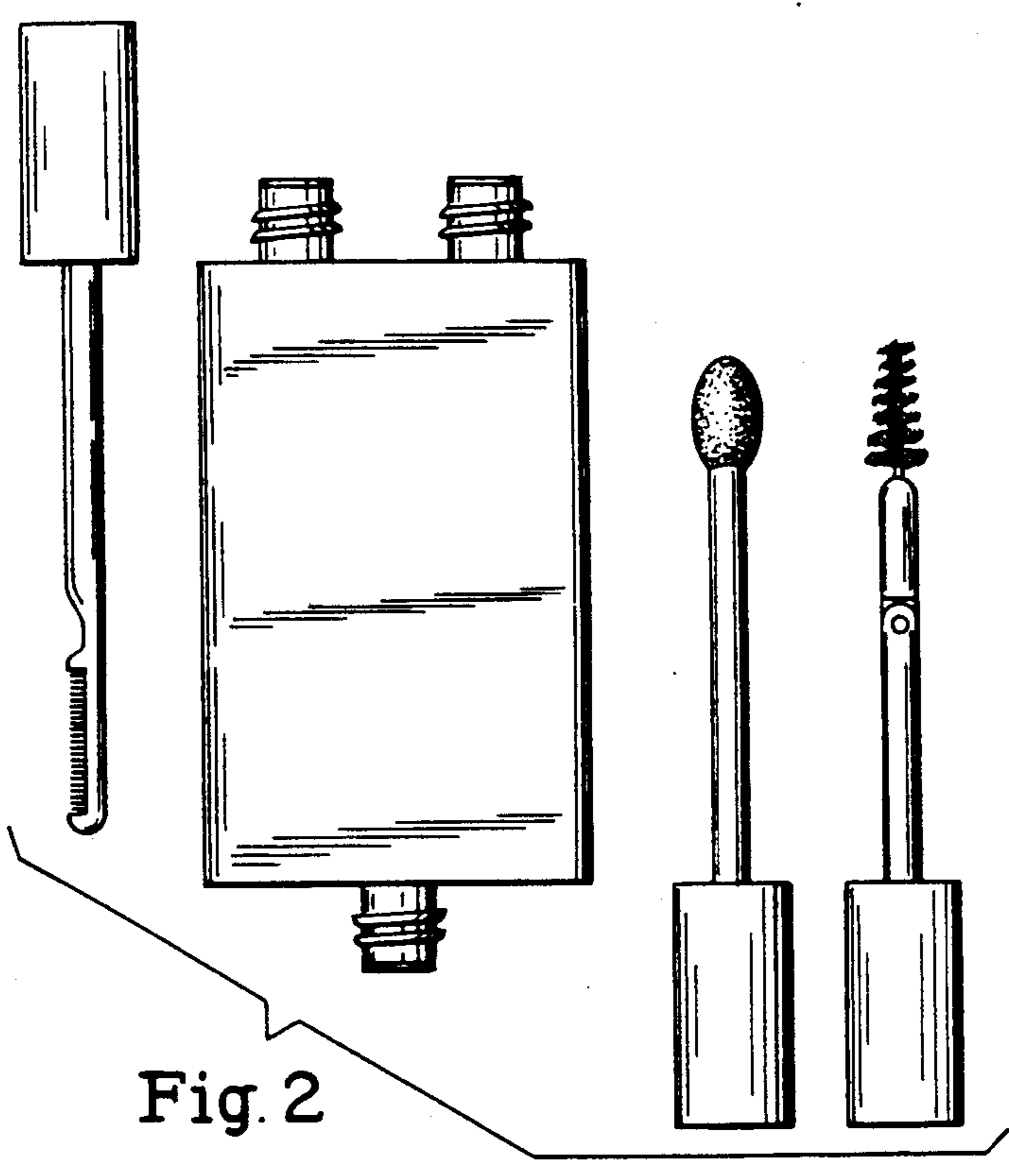
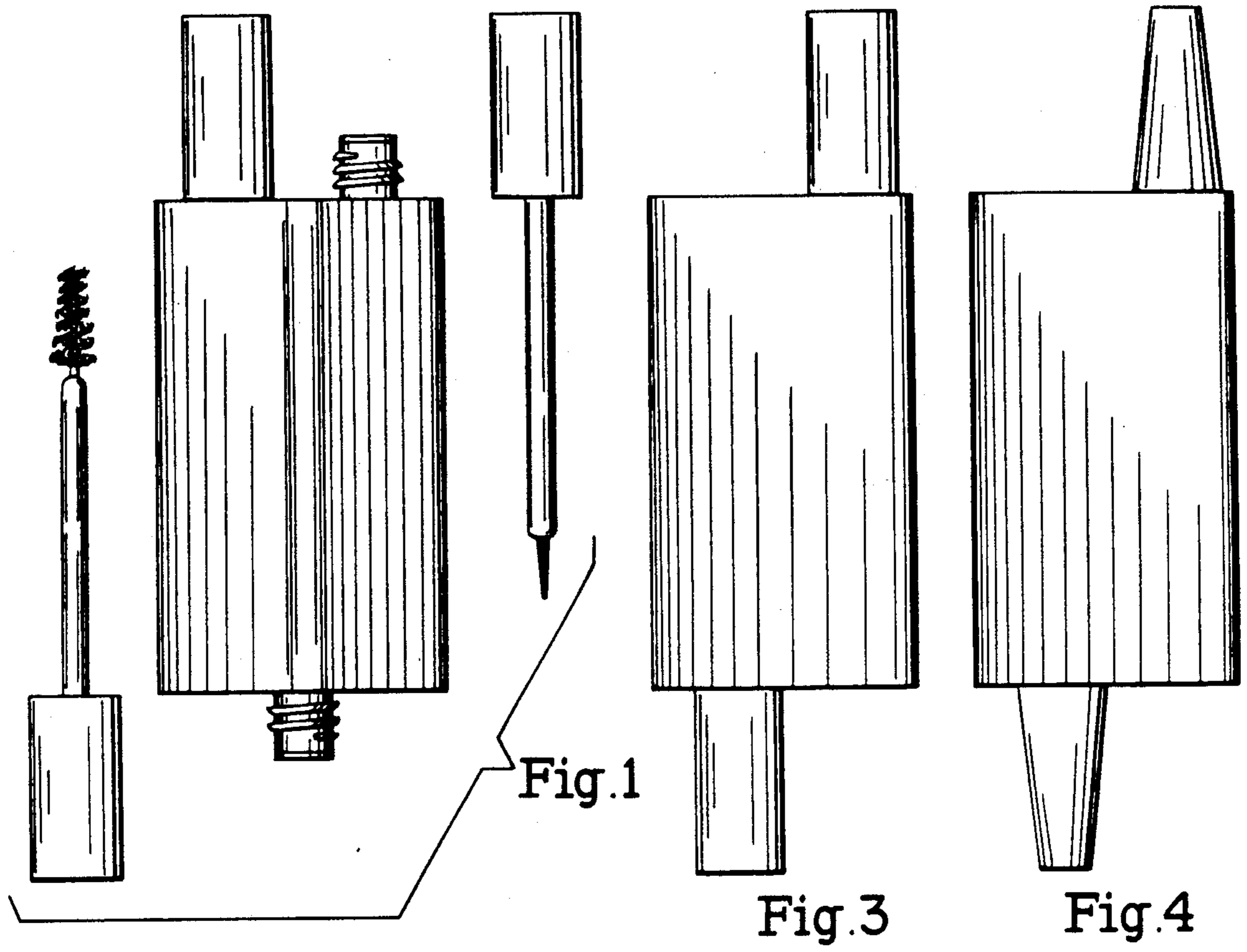


Fig. 2

Fig. 5

Fig. 6

Fig. 1

Fig. 3

Fig. 4

