

[54] WALL LAMP

[75] Inventor: Gregory H. Tew, Columbus, Miss.

[73] Assignee: Artemide S.p.A., Milan, Italy

[**] Term: 14 Years

[21] Appl. No.: 113,895

[22] Filed: Oct. 29, 1987

[30] Foreign Application Priority Data

Apr. 29, 1987 [IT] Italy 21489/87[U]

[52] U.S. Cl. D26/87; D26/110;
D26/111

[58] Field of Search D26/72, 80-92,
D26/93, 102-112; 362/432, 404-408, 362, 147,
410-414, 806, 352

[56] References Cited

U.S. PATENT DOCUMENTS

D. 175,655	9/1955	Thurston	D26/111
D. 192,381	3/1962	Curtin et al.	D26/104
3,104,832	9/1963	Ford	D26/102 X
3,277,292	10/1966	Horan	D26/87 X
4,562,521	12/1985	Noguchi	362/352 X

OTHER PUBLICATIONS

Design, 1-1956, p. 42, Floor Lamp.

Interiors, 11-1955, p. 145, Tripod Lamp.

Primary Examiner—Susan J. Lucas

Attorney, Agent, or Firm—Birch, Stewart, Kolasch & Birch

[57] CLAIM

The ornamental design for wall lamp, as shown and described.

DESCRIPTION

FIG. 1 is a right side perspective view of a wall lamp showing my new design;

FIG. 2 is a right side elevational view thereof on an enlarged scale;

FIG. 3 is a left side elevational view thereof on an enlarged scale;

FIG. 4 is a top plan view thereof on an enlarged scale;

FIG. 5 is a bottom plan view thereof on an enlarged scale;

FIG. 6 is a front elevational view thereof on an enlarged scale;

FIG. 7 is a rear elevational view thereof on an enlarged scale.

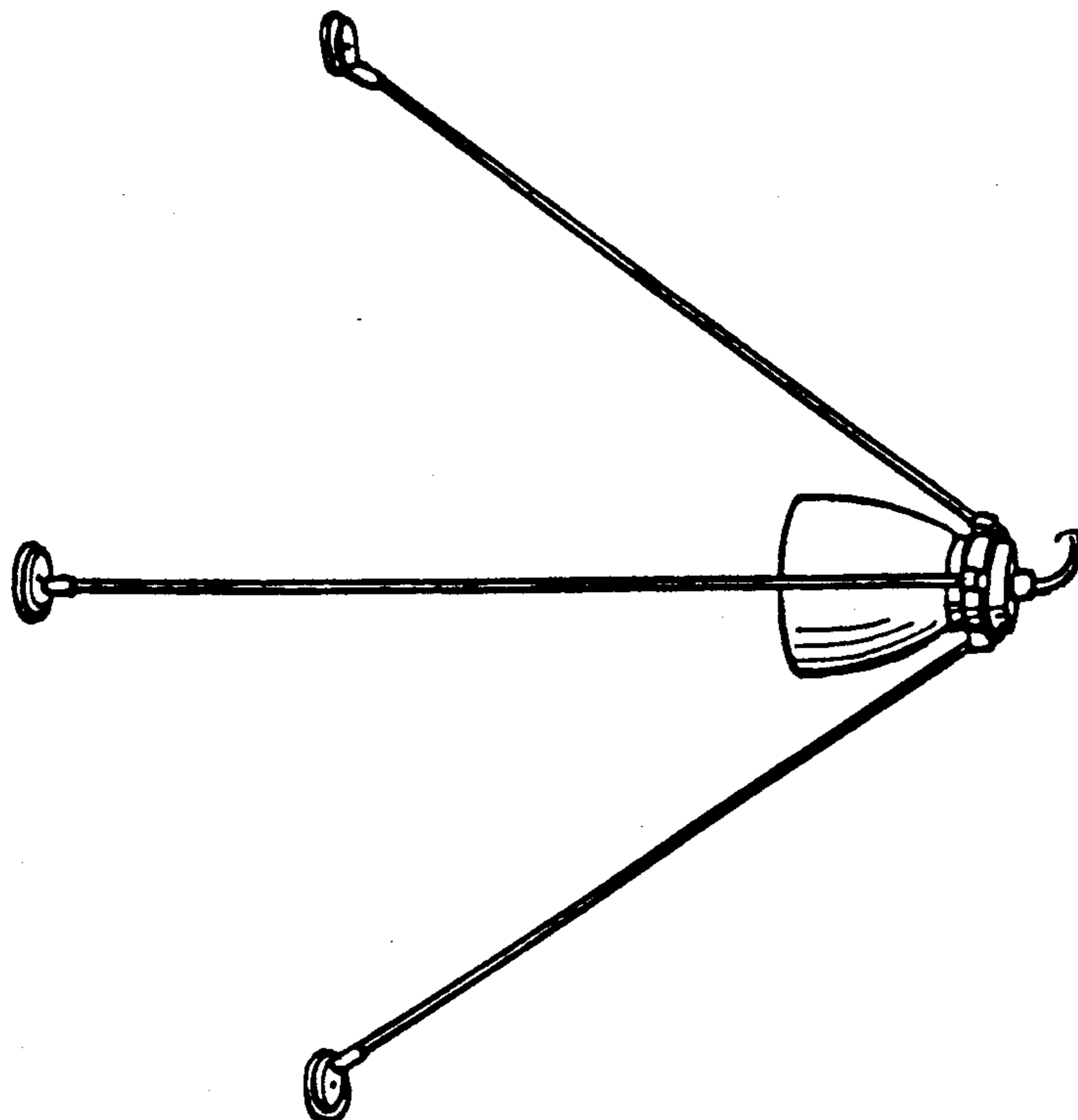


Fig. 1

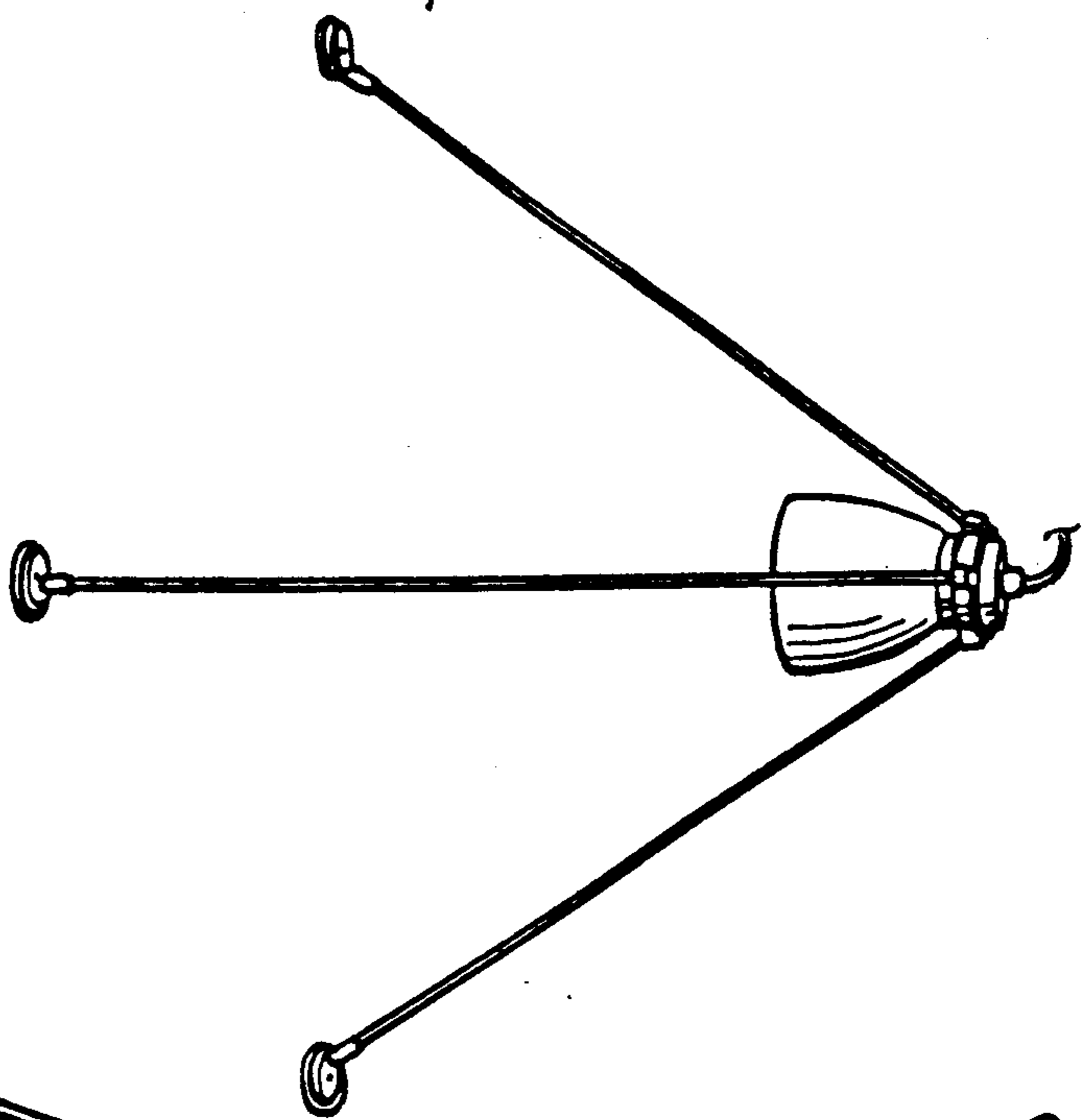


Fig. 2

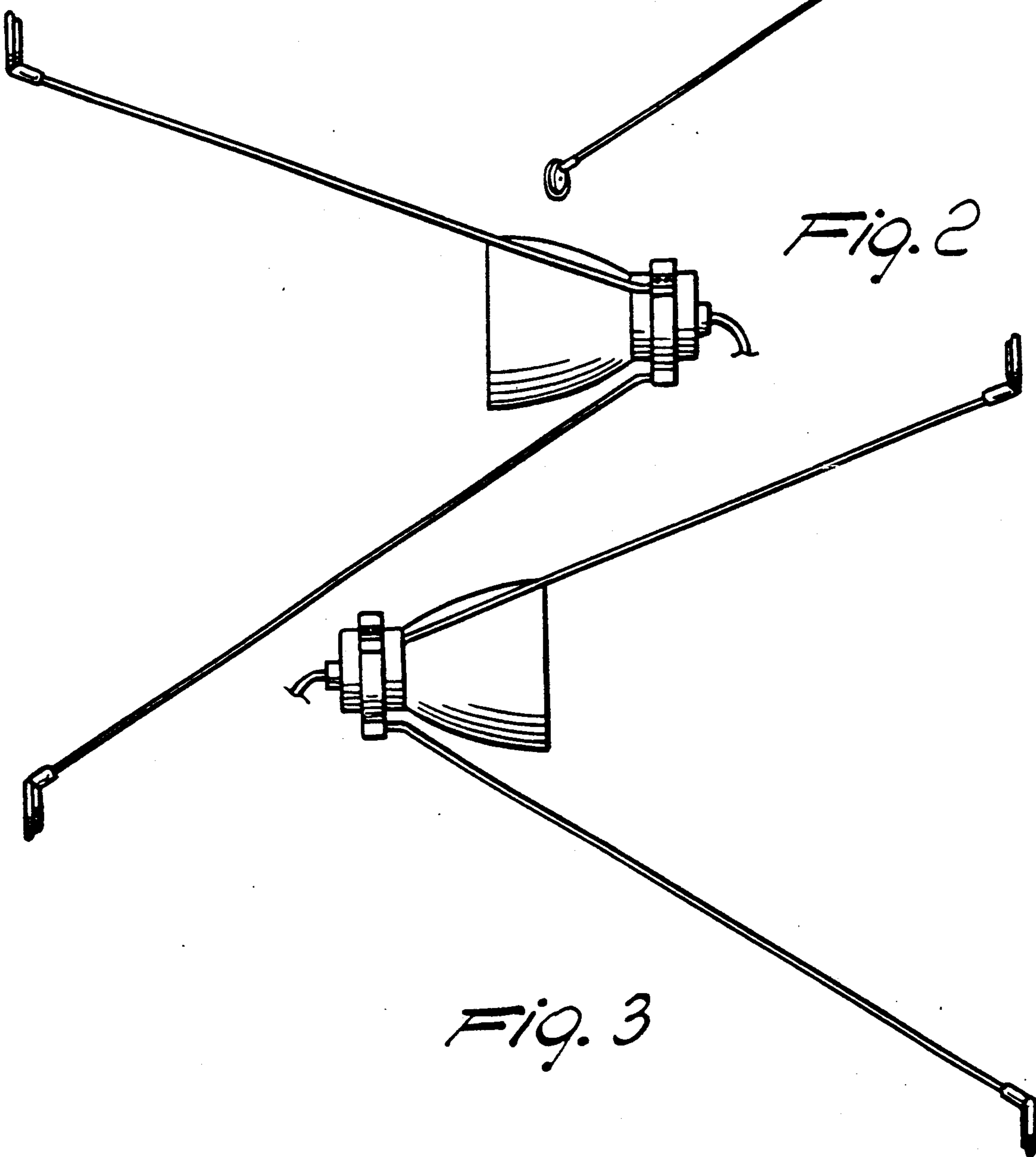
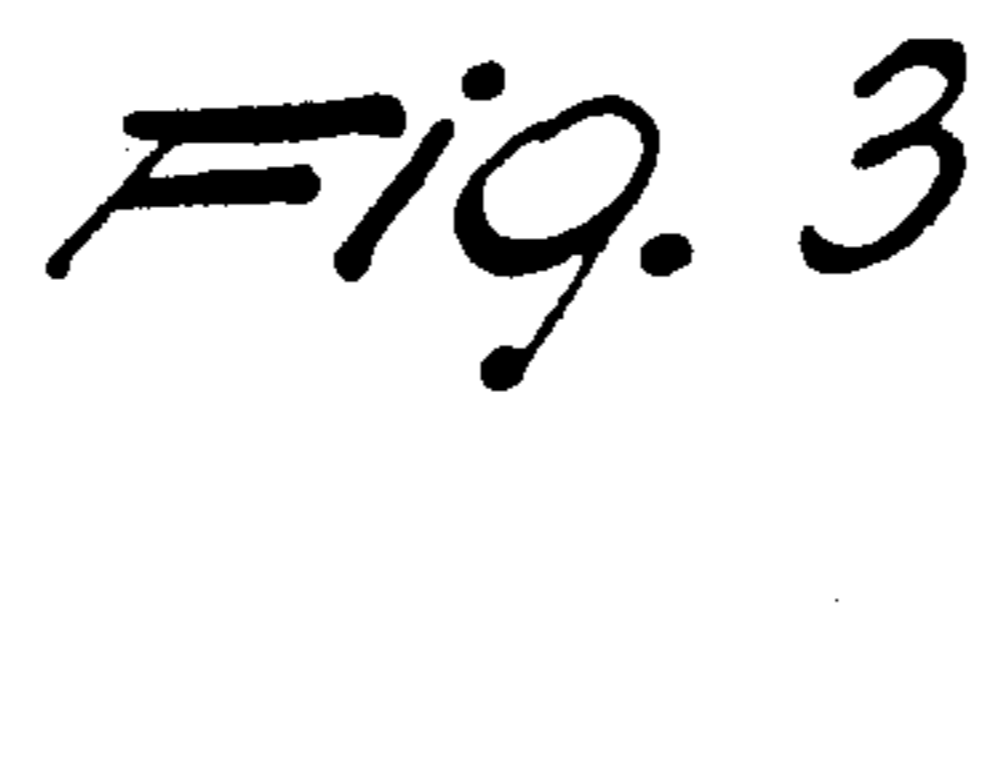


Fig. 3



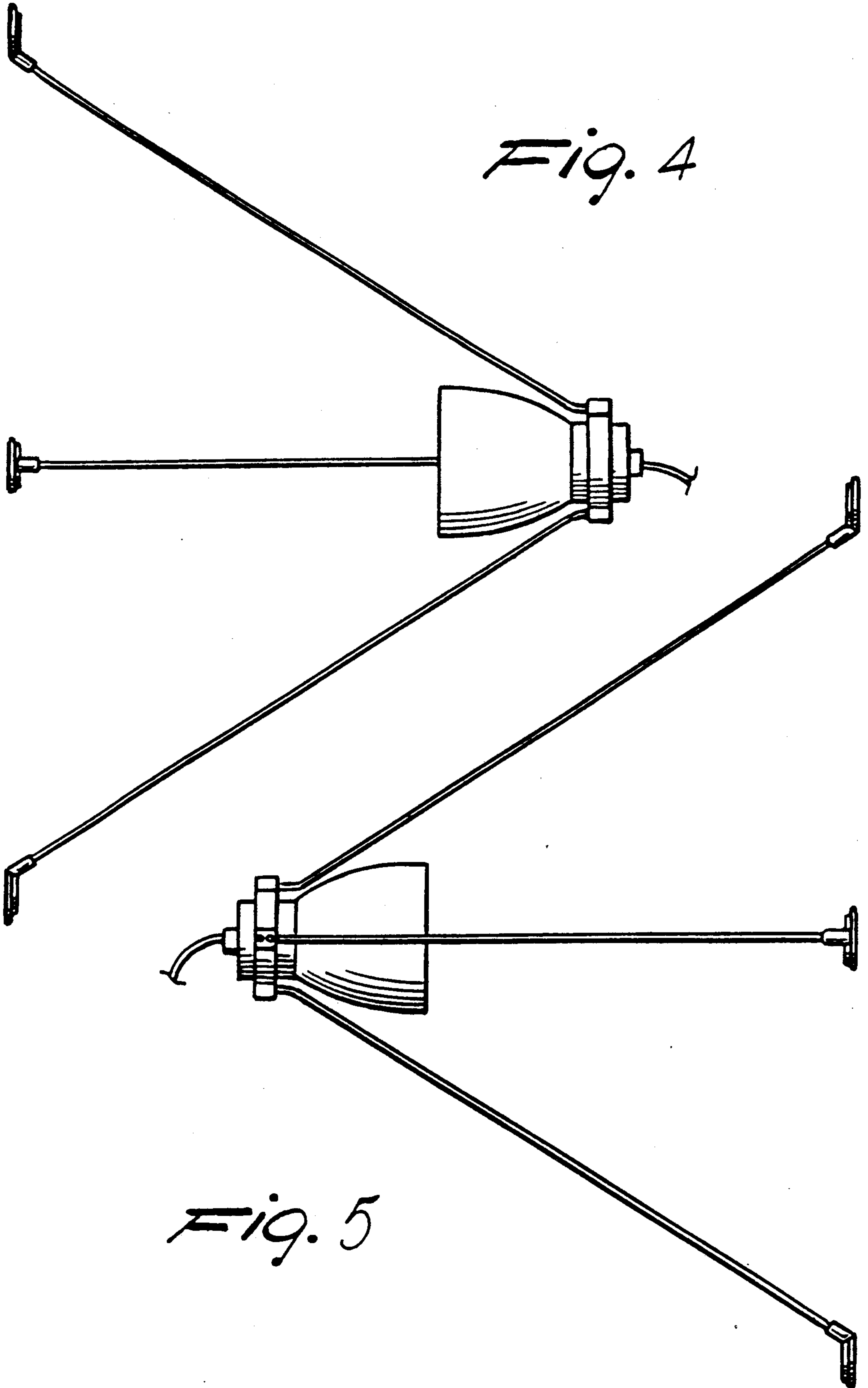


Fig. 4

Fig. 5

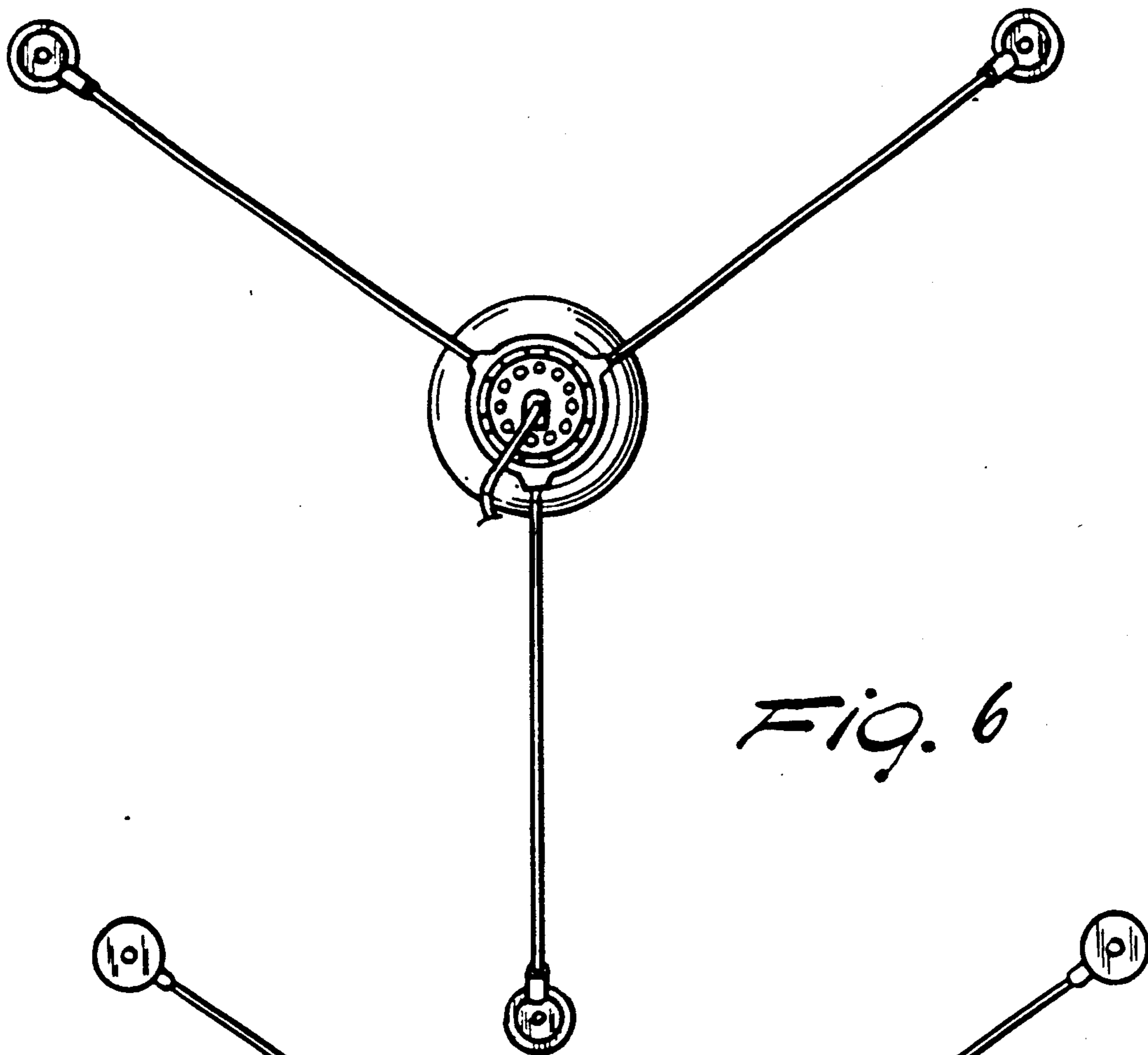


Fig. 6

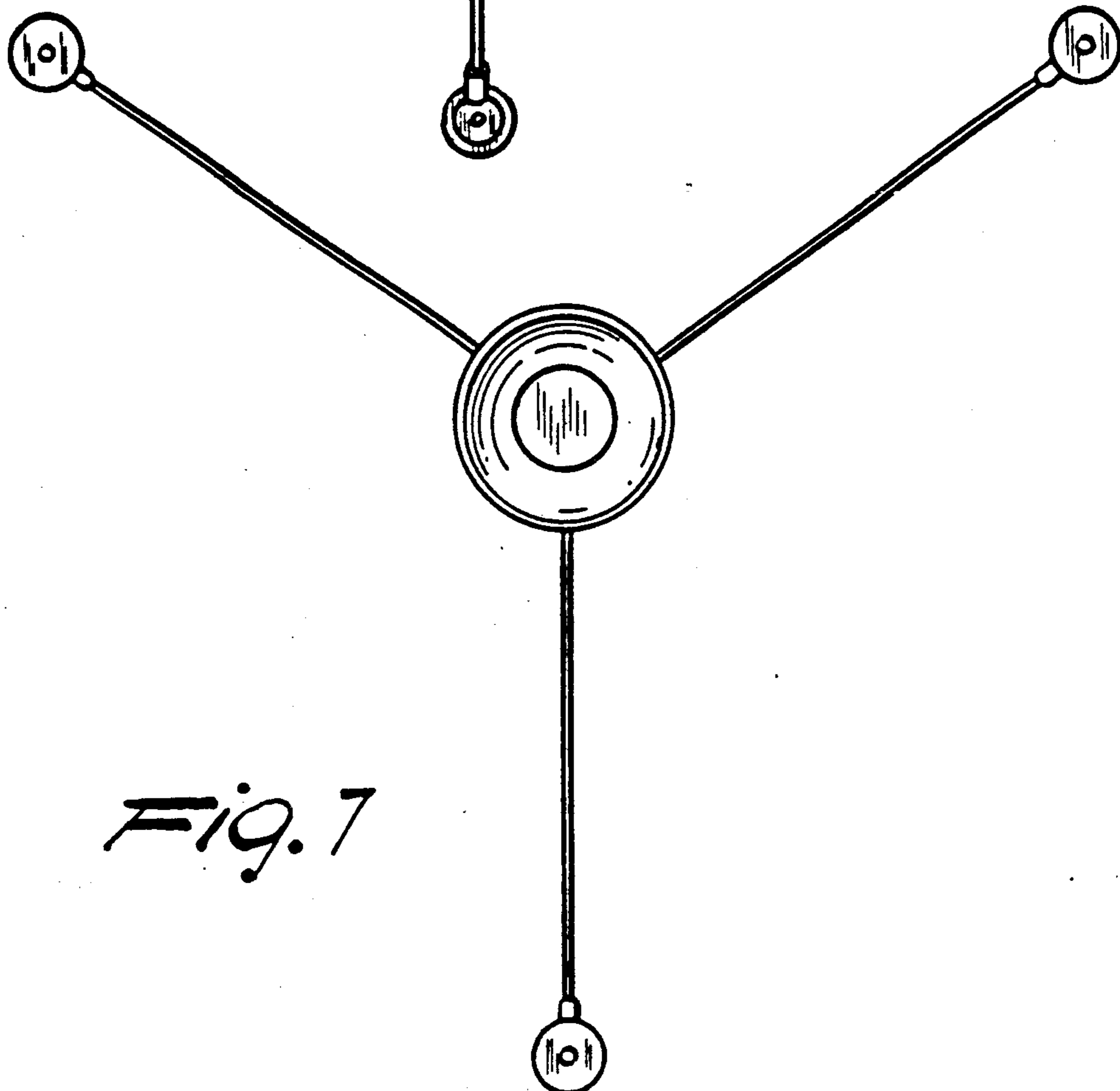


Fig. 7