

[54] SOLAR POWERED OUTDOOR LIGHT

[75] Inventors: Milly S. Hall, Dallas, Tex.; Donald L. Rohrs, Overland Park, Kans.; Kung C. Hung, Tseun Wan, Hong Kong

[73] Assignee: The Brinkmann Corporation, Dallas, Tex.

[**] Term: 14 Years

[21] Appl. No.: 307,884

[22] Filed: Feb. 6, 1989

[52] U.S. Cl. D26/67; D26/68

[58] Field of Search D26/67-71; 362/431, 267, 269, 362, 410, 157, 183; 136/291

[56] References Cited

U.S. PATENT DOCUMENTS

D. 207,273	3/1967	Muller et al. .	
D. 211,278	6/1968	Bobrick	D26/68
D. 239,860	5/1976	Scarpa	D26/68
D. 291,926	9/1987	Schlepp	D26/67
3,263,069	7/1966	Krucki et al.	362/431
4,835,664	5/1989	Wen	362/431 X

OTHER PUBLICATIONS

Home Lighting & Accessories, 3-1985, p. 38, Solar Outdoor Lighting Fixture.

Best, 1989 Spring Catalog, p. 93, Nos. 15 & 16.

Smith & Hawken, Smith & Hawken Catalog for Gardeners, Spring 1989, p. 6.

Primary Examiner—Susan J. Lucas

Attorney, Agent, or Firm—Pretty, Schroeder, Brueggemann & Clark

[57] CLAIM

The ornamental design for a solar powered outdoor light, as shown and described.

DESCRIPTION

FIG. 1 is a top, front perspective view of a solar powered outdoor light showing our new design;

FIG. 2 is a a top plan view thereof;

FIG. 3 is a front elevation view thereof;

FIG. 4 is a side elevation view thereof, the opposite side being a mirror image;

FIG. 5 is a rear elevation view thereof;

FIG. 6 is a rear elevation view thereof with the illustrative broken lines omitted for clarity of disclosure;

FIG. 7 is a bottom plan view thereof;

FIG. 8 is a bottom plan view thereof with the illustrative broken lines omitted for clarity of disclosure;

FIG. 9 is a top, front perspective view of a second embodiment of our new design;

FIG. 10 is a top plan view thereof on an enlarged scale;

FIG. 11 is a front elevation view thereof;

FIG. 12 is a side elevation view thereof, the opposite side being a mirror image;

FIG. 13 is a rear elevation view thereof;

FIG. 14 is a bottom plan view thereof on an enlarged scale;

FIG. 15 is a bottom plan view thereof on an enlarged scale with the illustrative broken lines omitted for clarity of disclosure.

The broken lines are shown for illustrative purposes only and form no part of the claimed design.

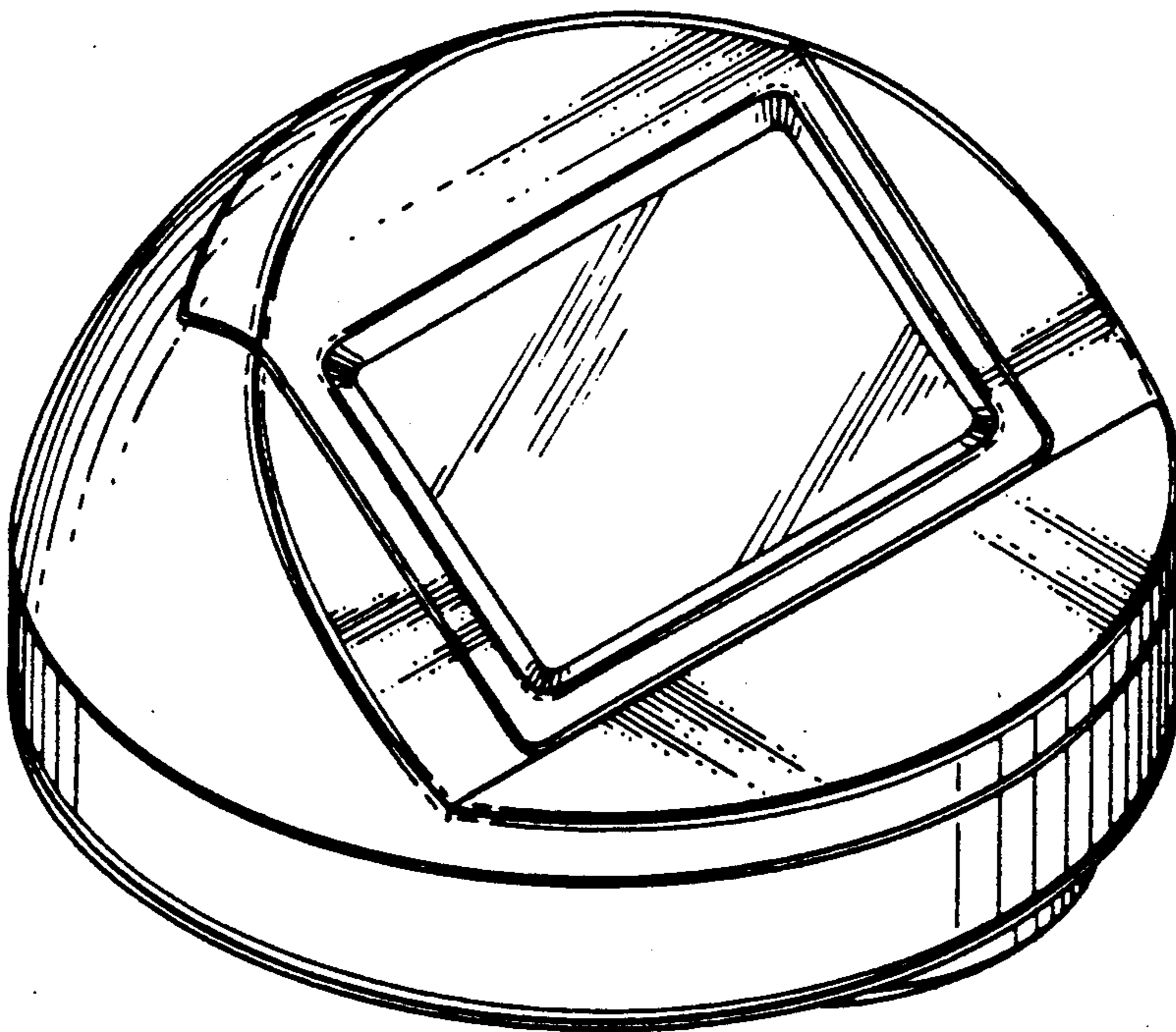


Fig. 1

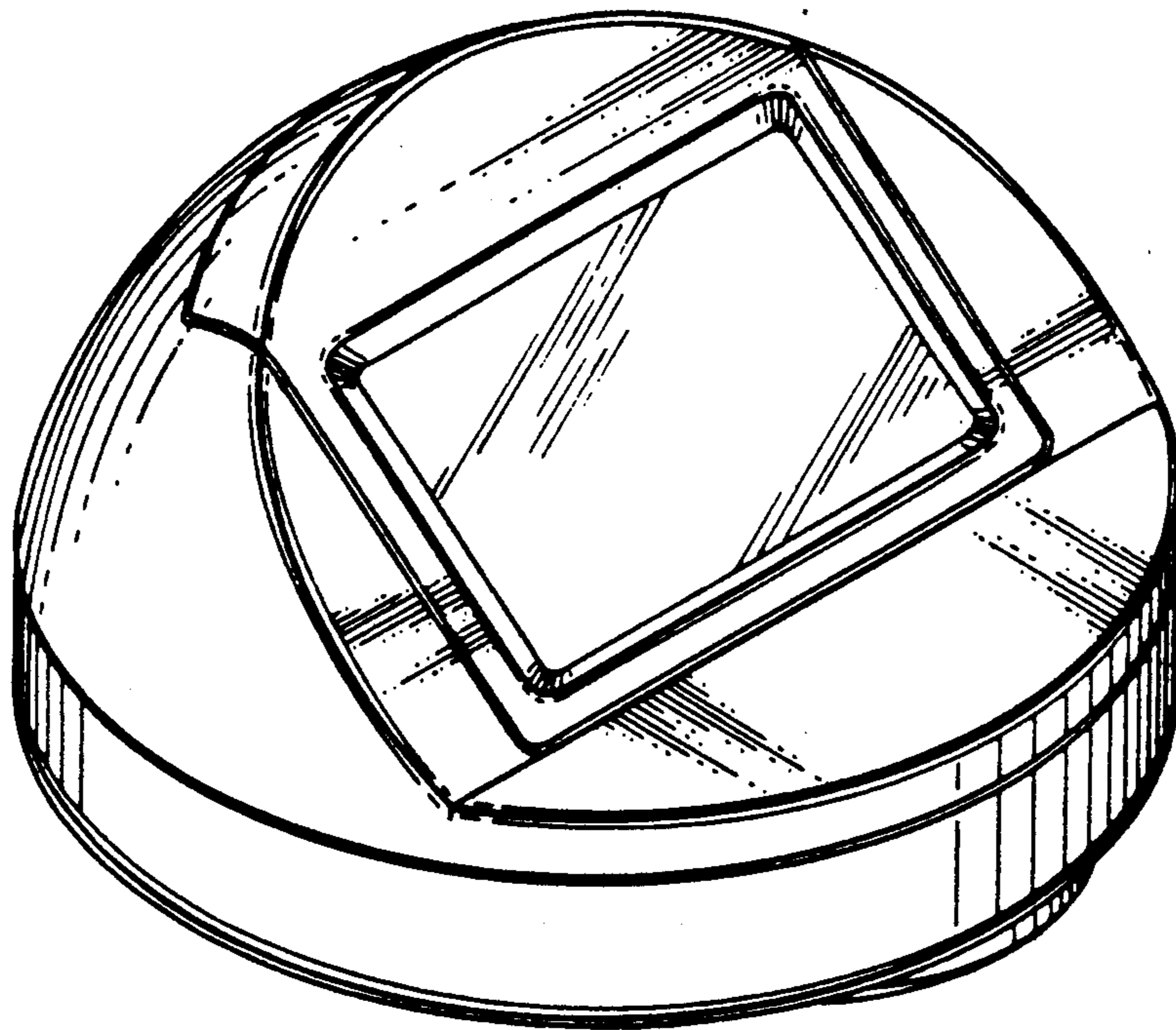


Fig. 2

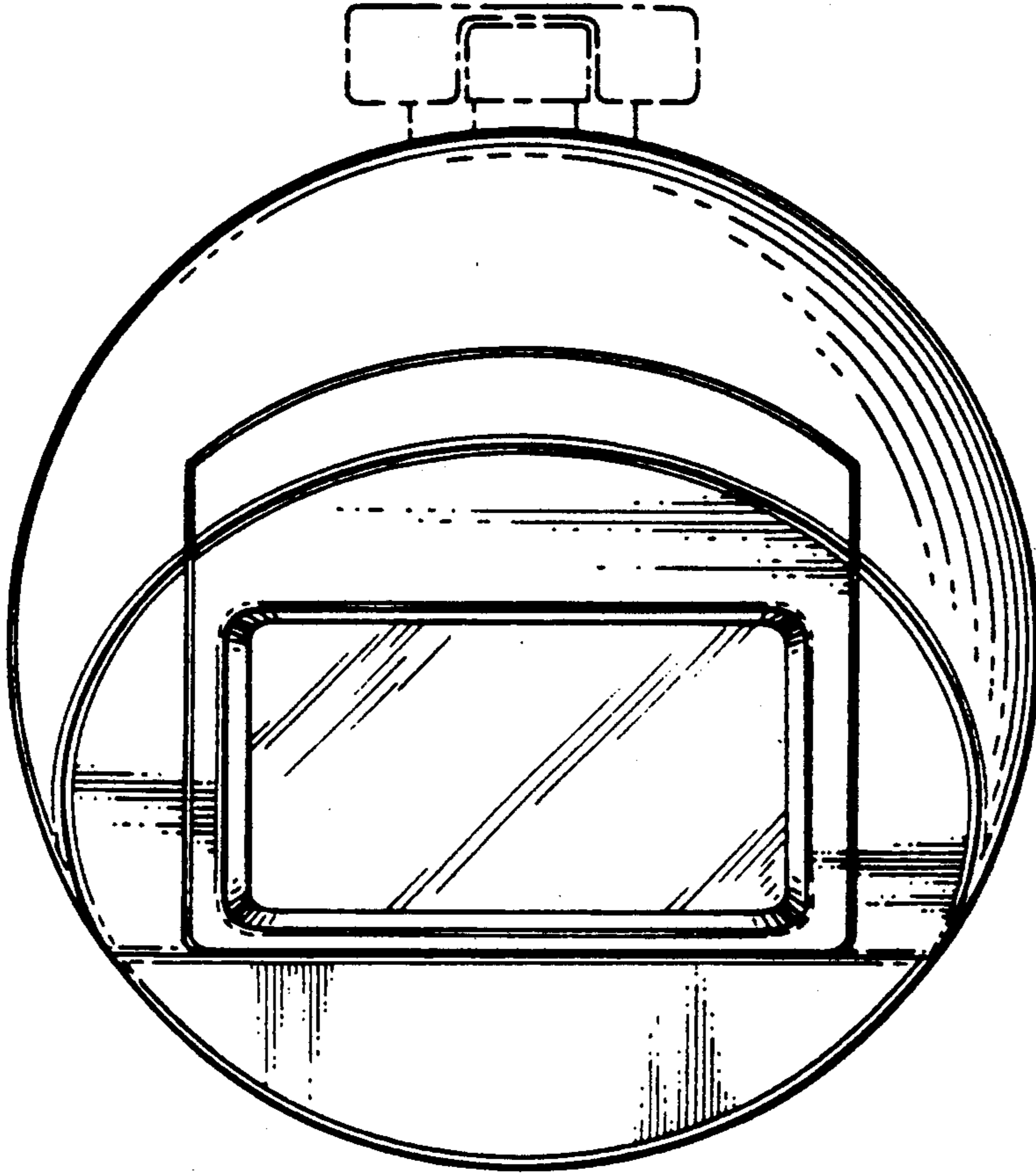


Fig. 3

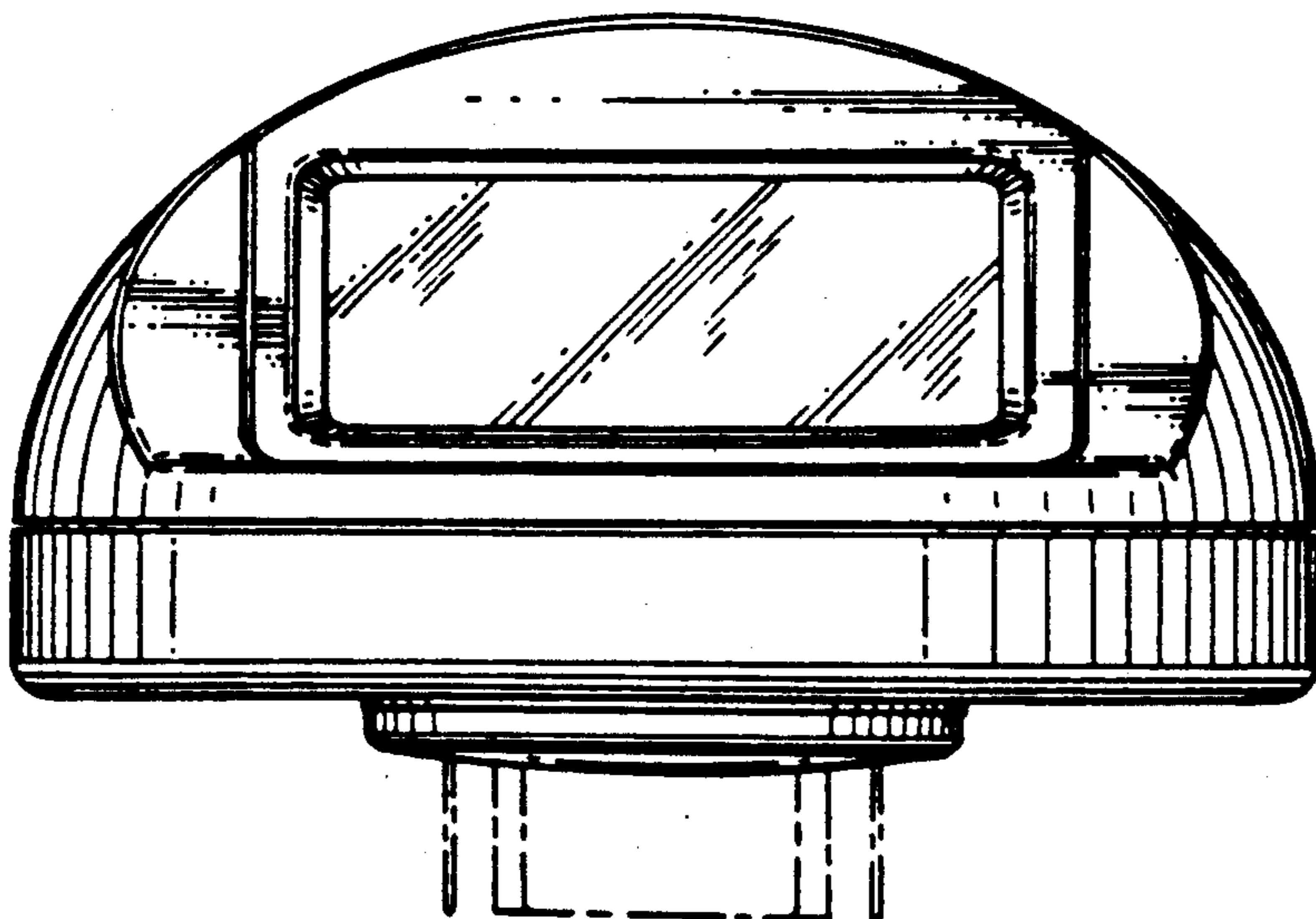


Fig. 4

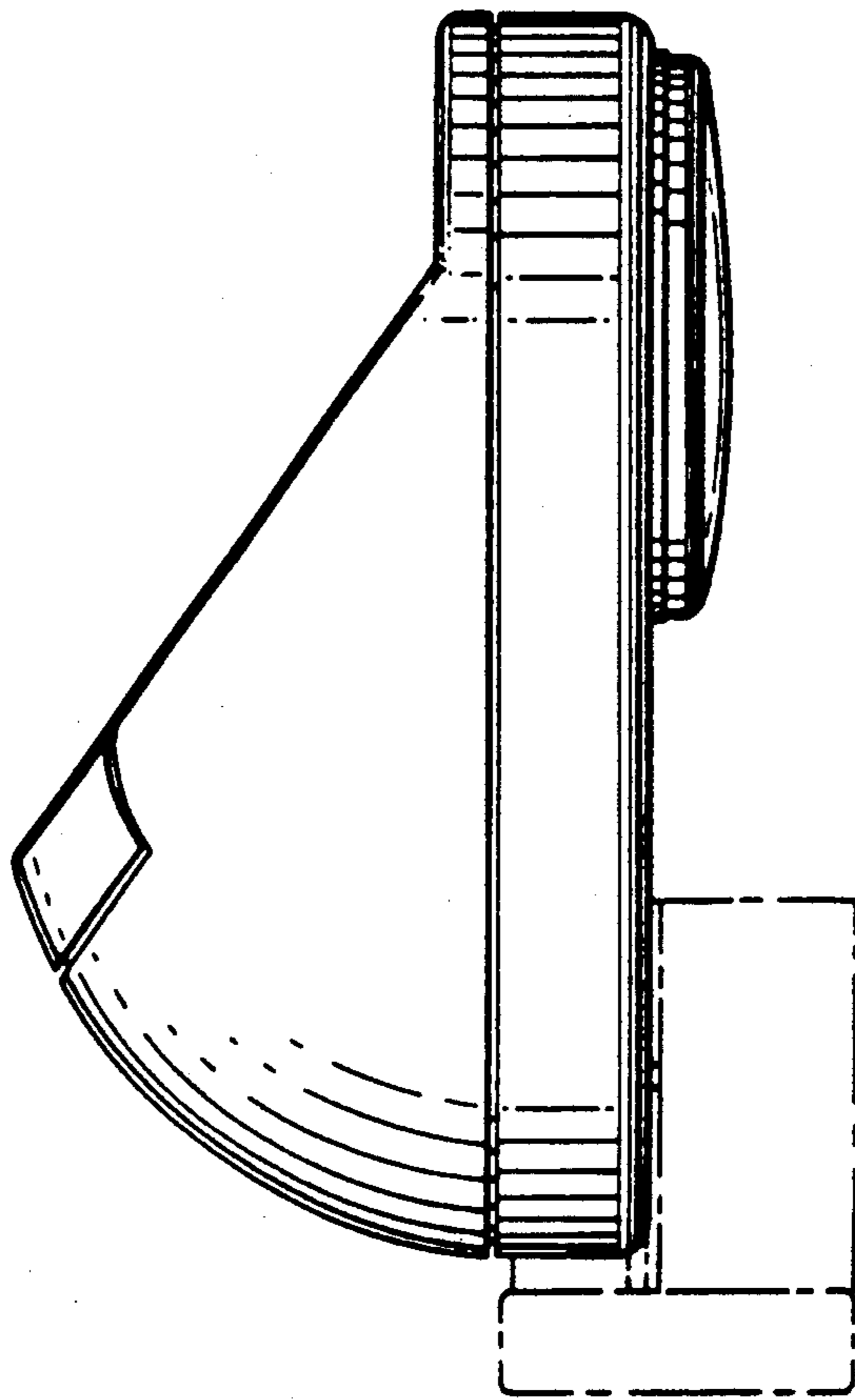


Fig. 5

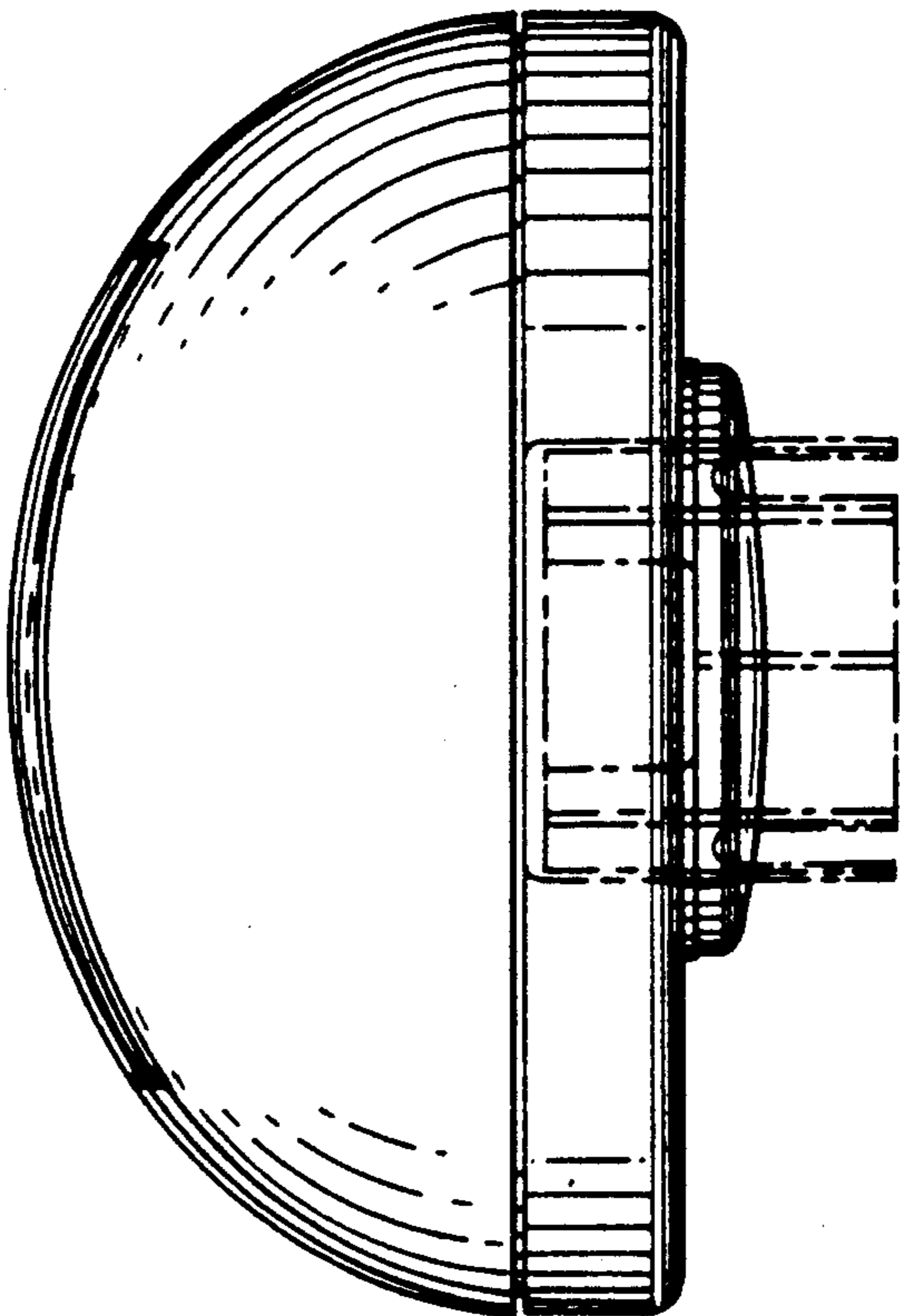


Fig. 6

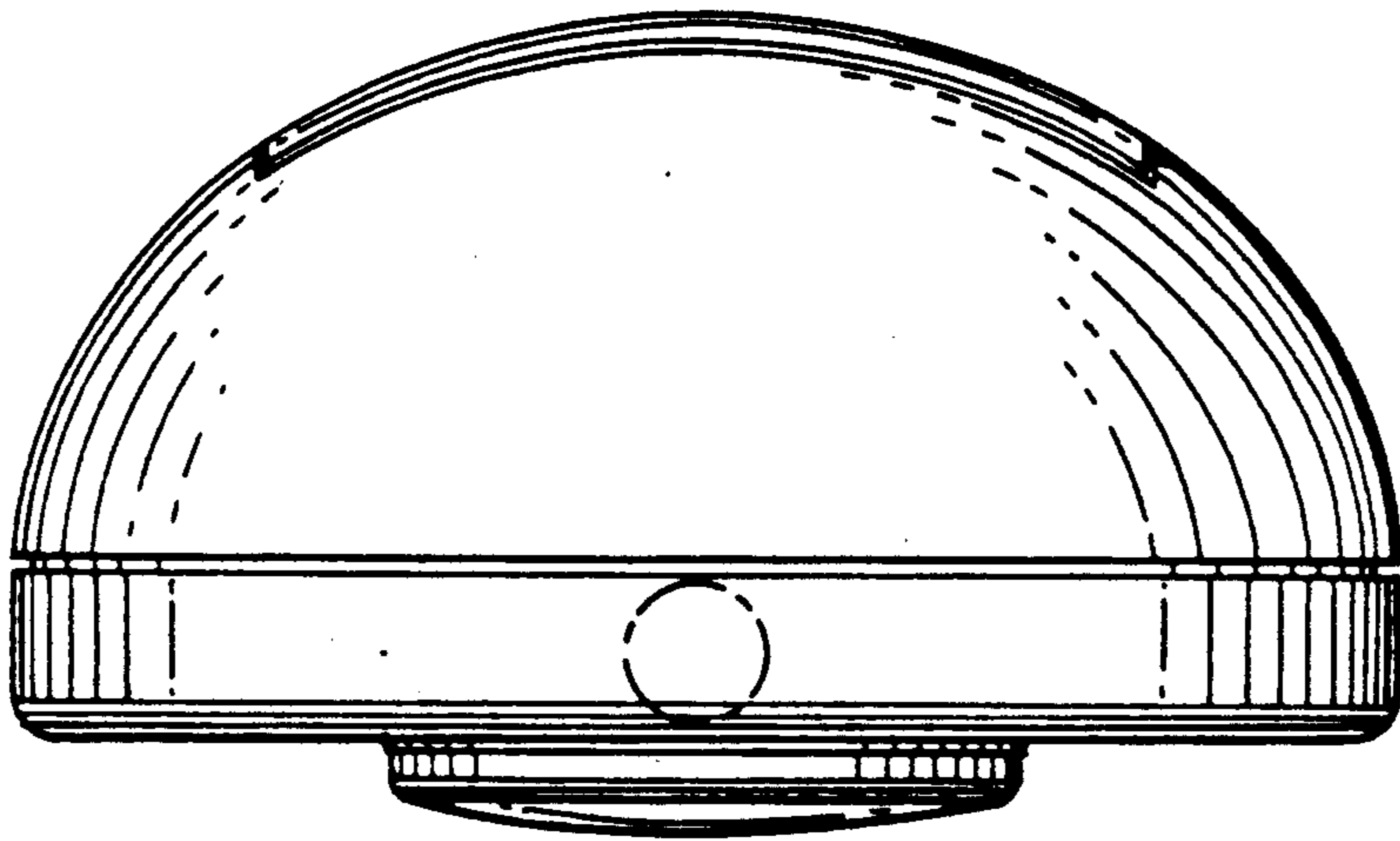


Fig. 7

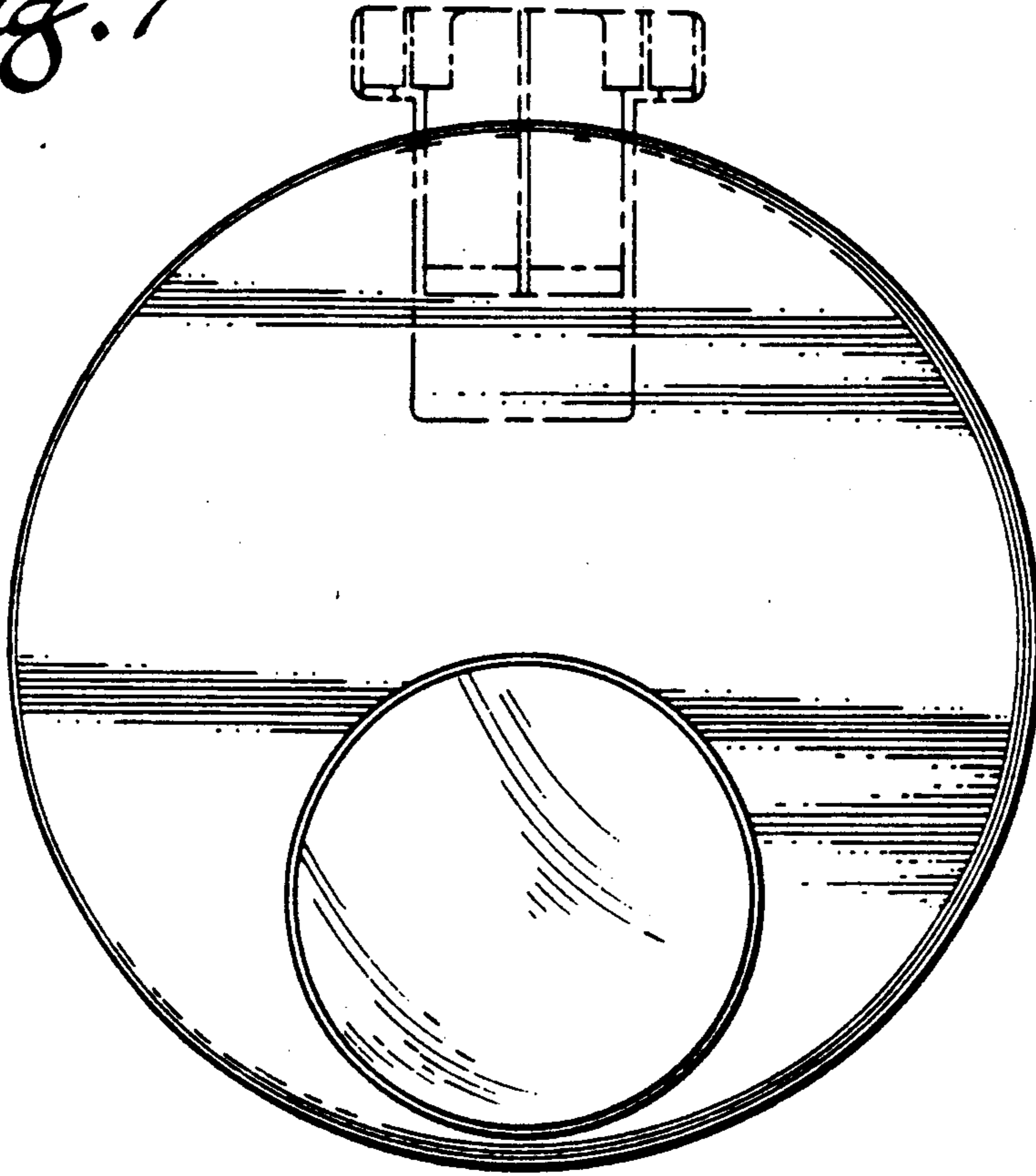


Fig. 8

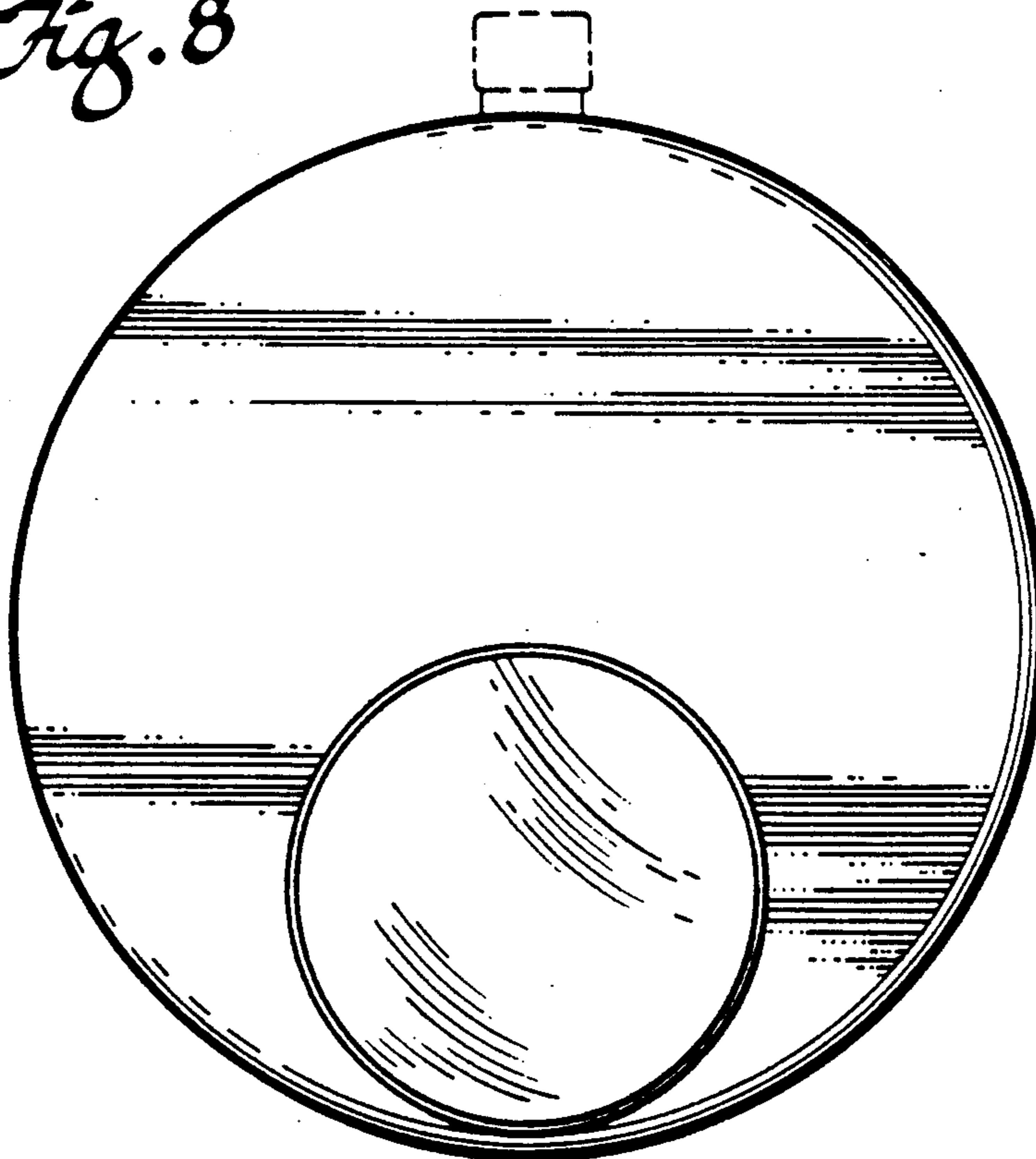


Fig. 9

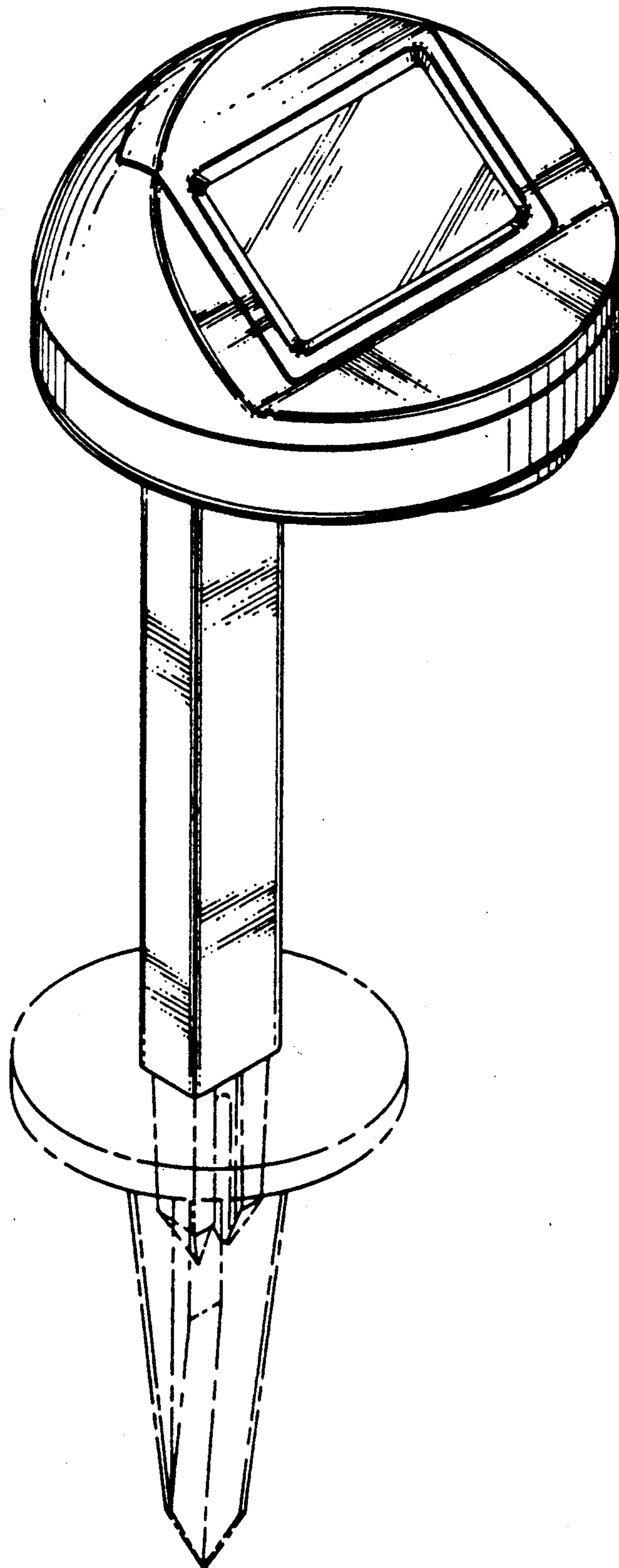


Fig. 10

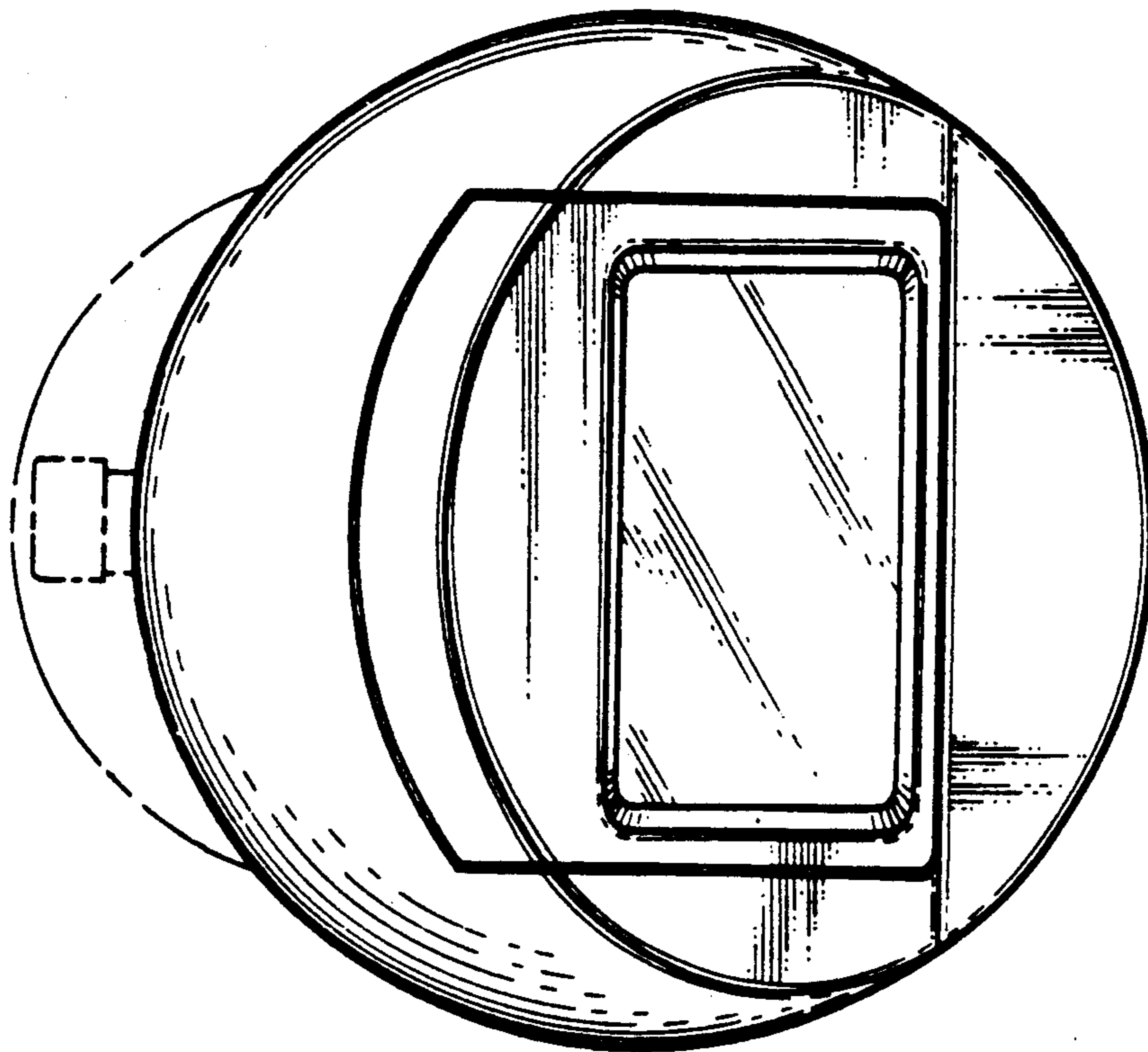


Fig. 14

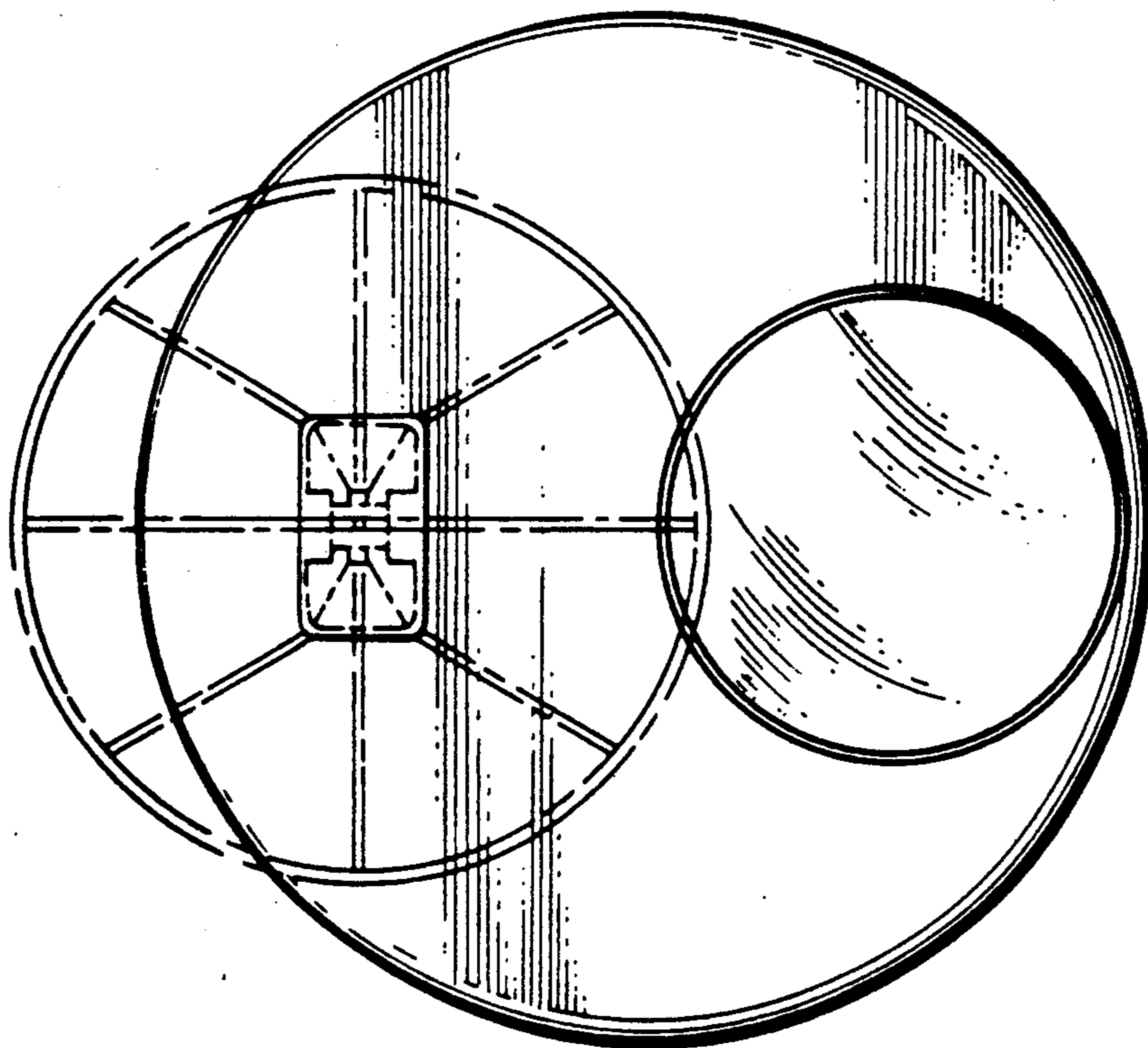


Fig. 11

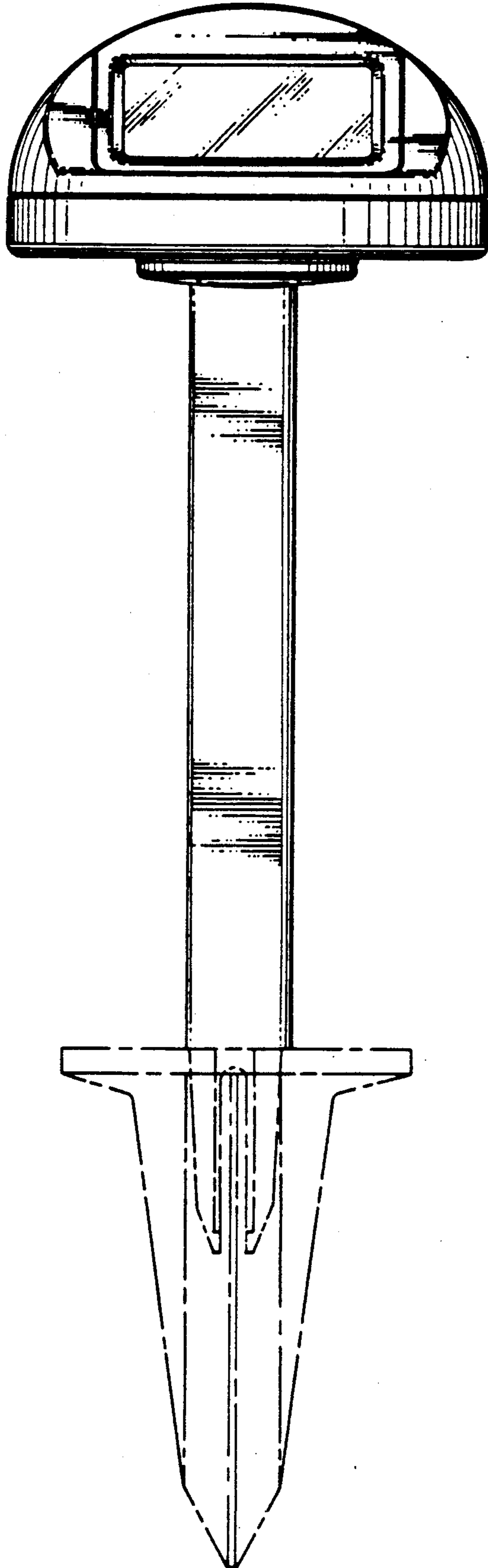


Fig. 12

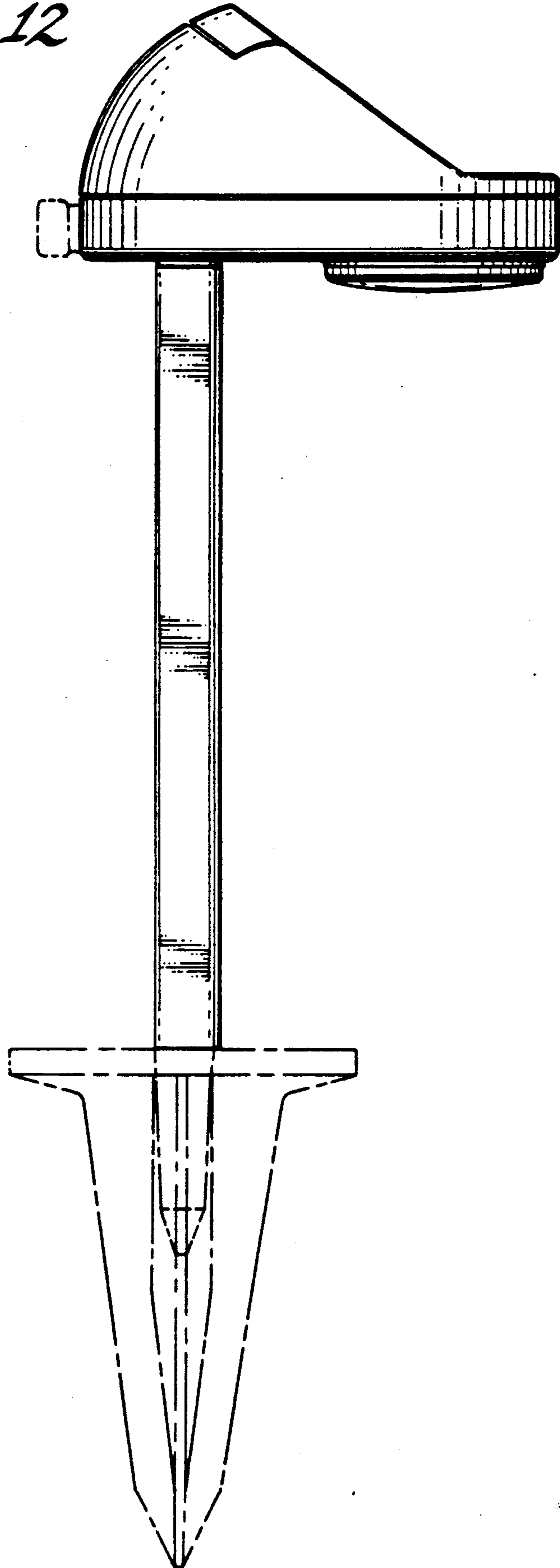
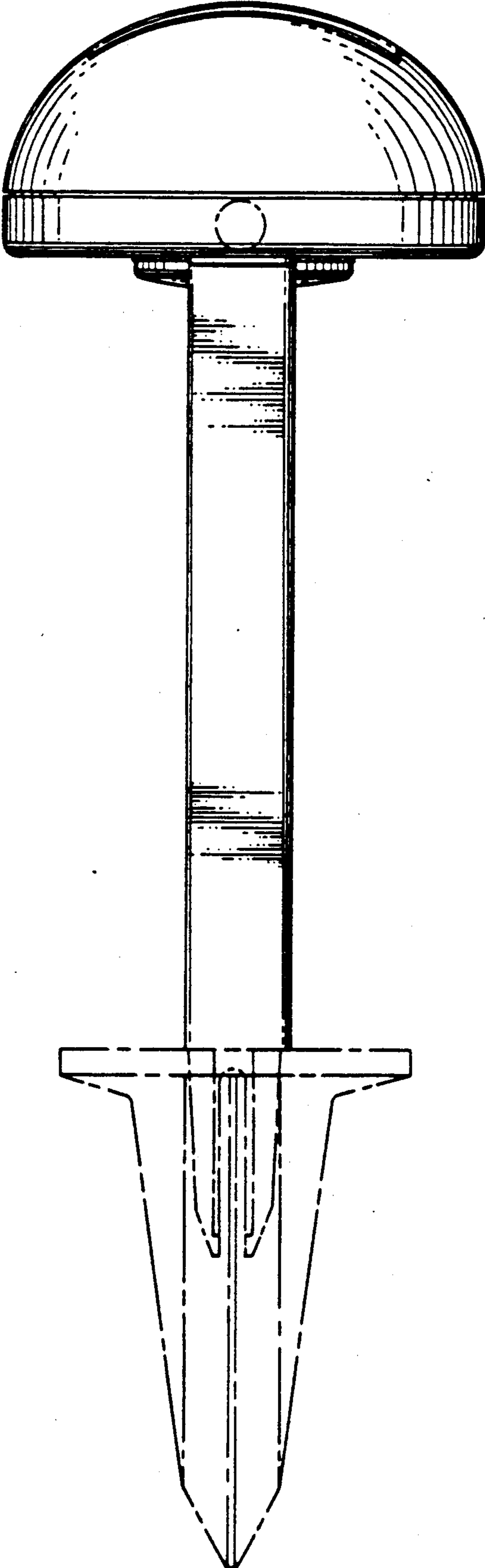


Fig. 13.



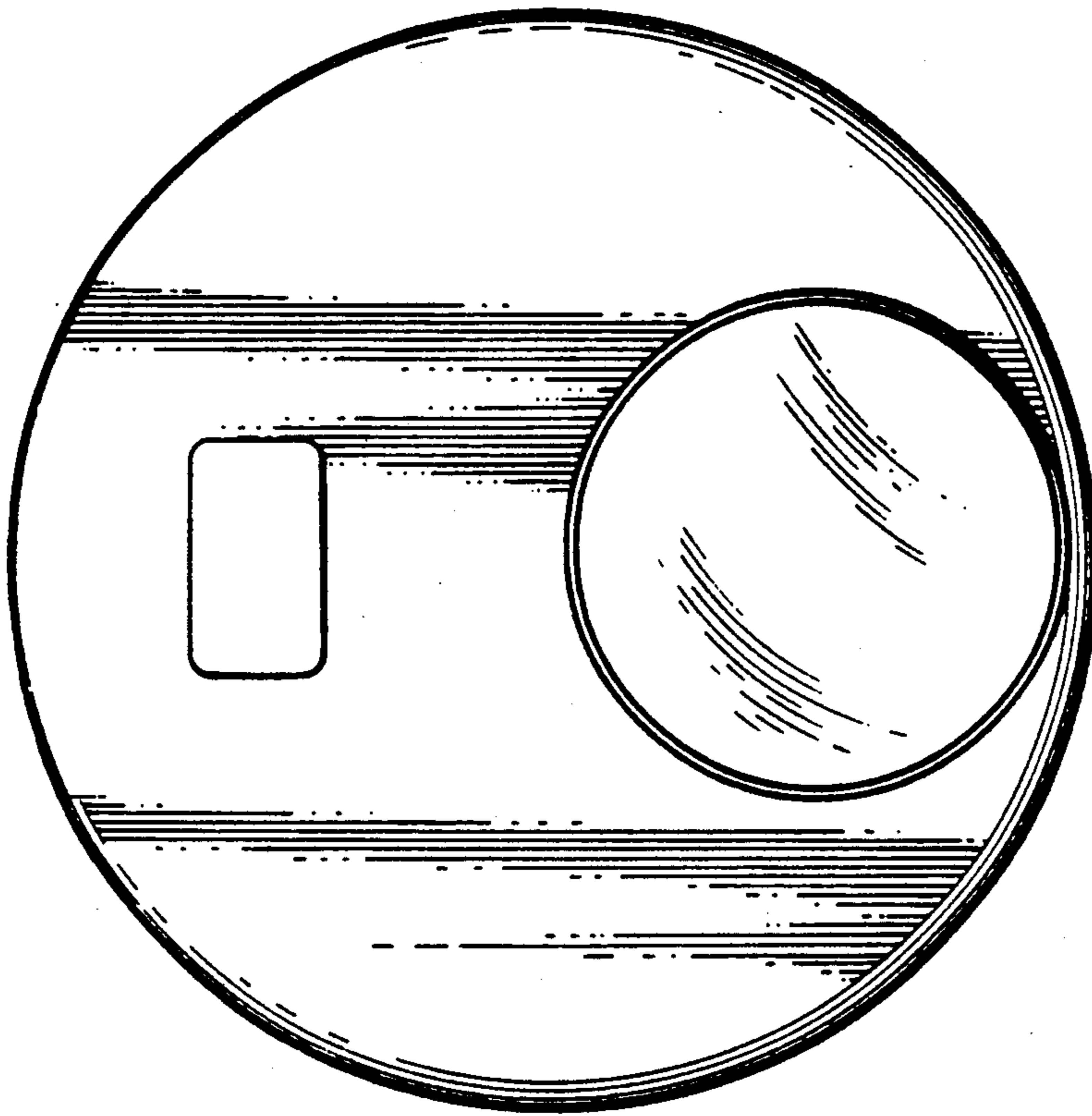


Fig. 15