

[54] **SAW HORSE BRACKET**
 [75] Inventor: William A. Ebeler, Waterloo, Ill.
 [73] Assignee: Omega Products, Inc., Waterloo, Ill.
 [**] Term: 14 Years
 [21] Appl. No.: 203,865
 [22] Filed: Jun. 8, 1988
 [52] U.S. Cl. D25/68; D8/373;
 D8/381
 [58] Field of Search D25/67-68;
 182/181-186, 224-227, 182, 185, 113, 115;
 248/200, 202.1, 238, 218.4, 219.1, 220.1, 248;
 D8/349, 354, 380-382, 394, 373; 403/171, 205,
 373, 382, 402

2,280,361 4/1942 Ackerman 403/382
 2,711,917 6/1955 Blu 182/185
 3,858,682 1/1975 Larson 182/225
 4,508,194 4/1985 Freewalt et al. 182/225

Primary Examiner—A. Hugo Word
 Assistant Examiner—Doris Clark
 Attorney, Agent, or Firm—Senniger, Powers, Leavitt &
 Roedel

[57] **CLAIM**

The ornamental design for a saw horse bracket, as show and described.

DESCRIPTION

FIG. 1 is a side elevational view of a saw horse bracket showing my new design, the broken line showing of the saw horse is for illustrative purposes only and forms no part of the claimed design;
 FIG. 2 is a front elevational view thereof;
 FIG. 3 is a rear elevational view thereof.
 FIG. 4 is a top plan view thereof;
 FIG. 5 is a bottom plan view thereof.

[56] **References Cited**
U.S. PATENT DOCUMENTS
 D. 183,982 11/1958 Thompson D25/68
 D. 289,605 5/1987 Lytle D8/381
 1,957,362 5/1935 Smith 403/382

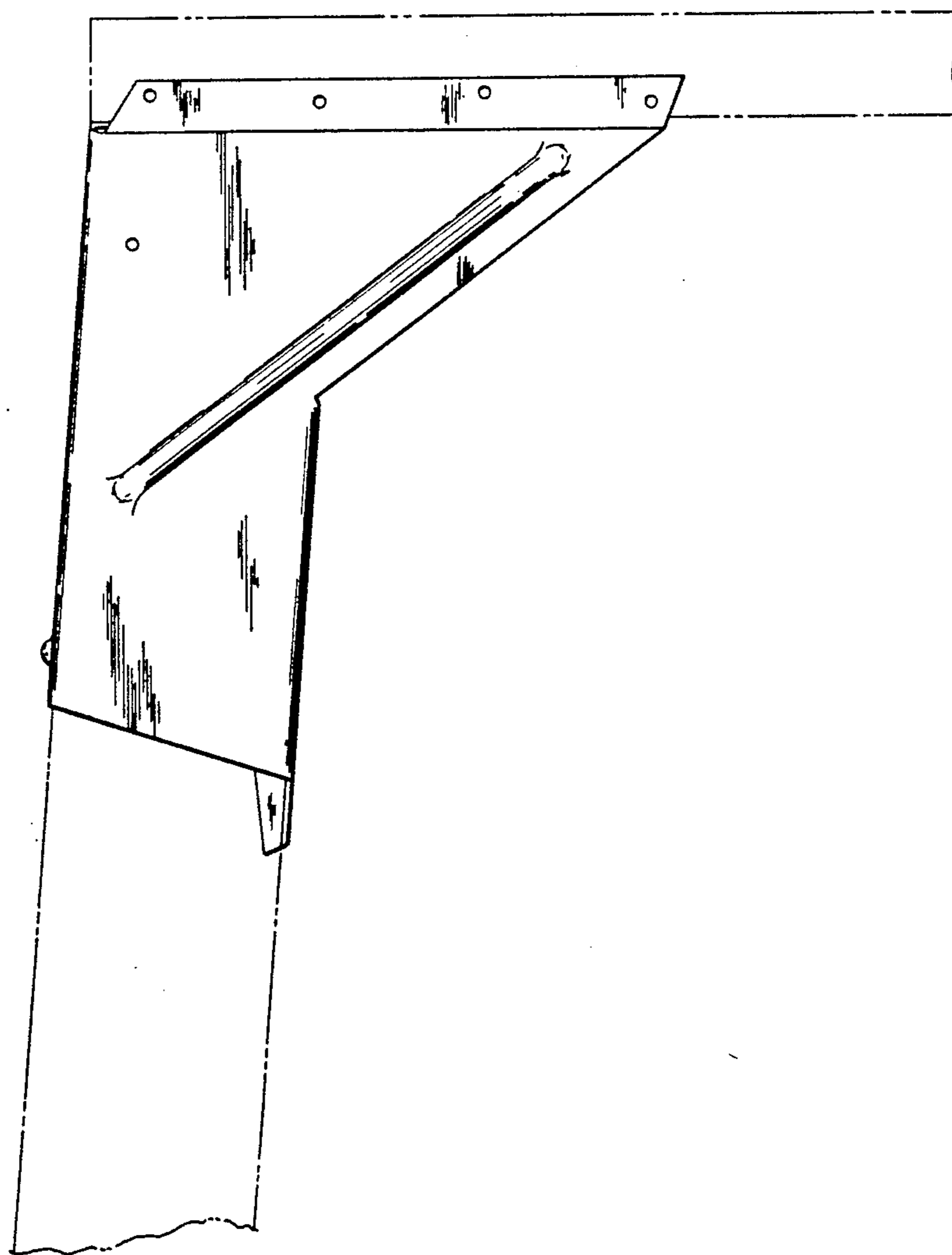


FIG. 1

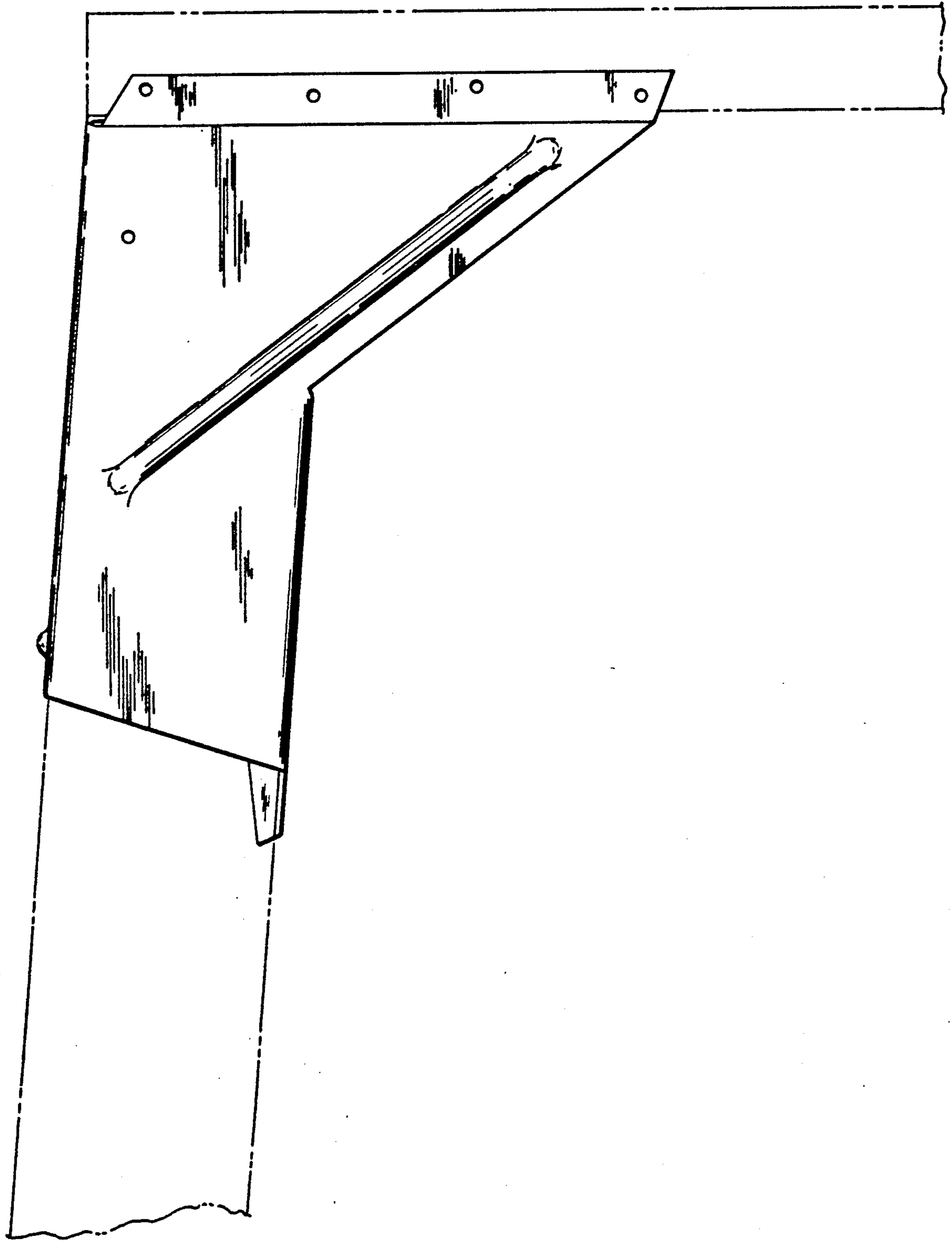


FIG. 2

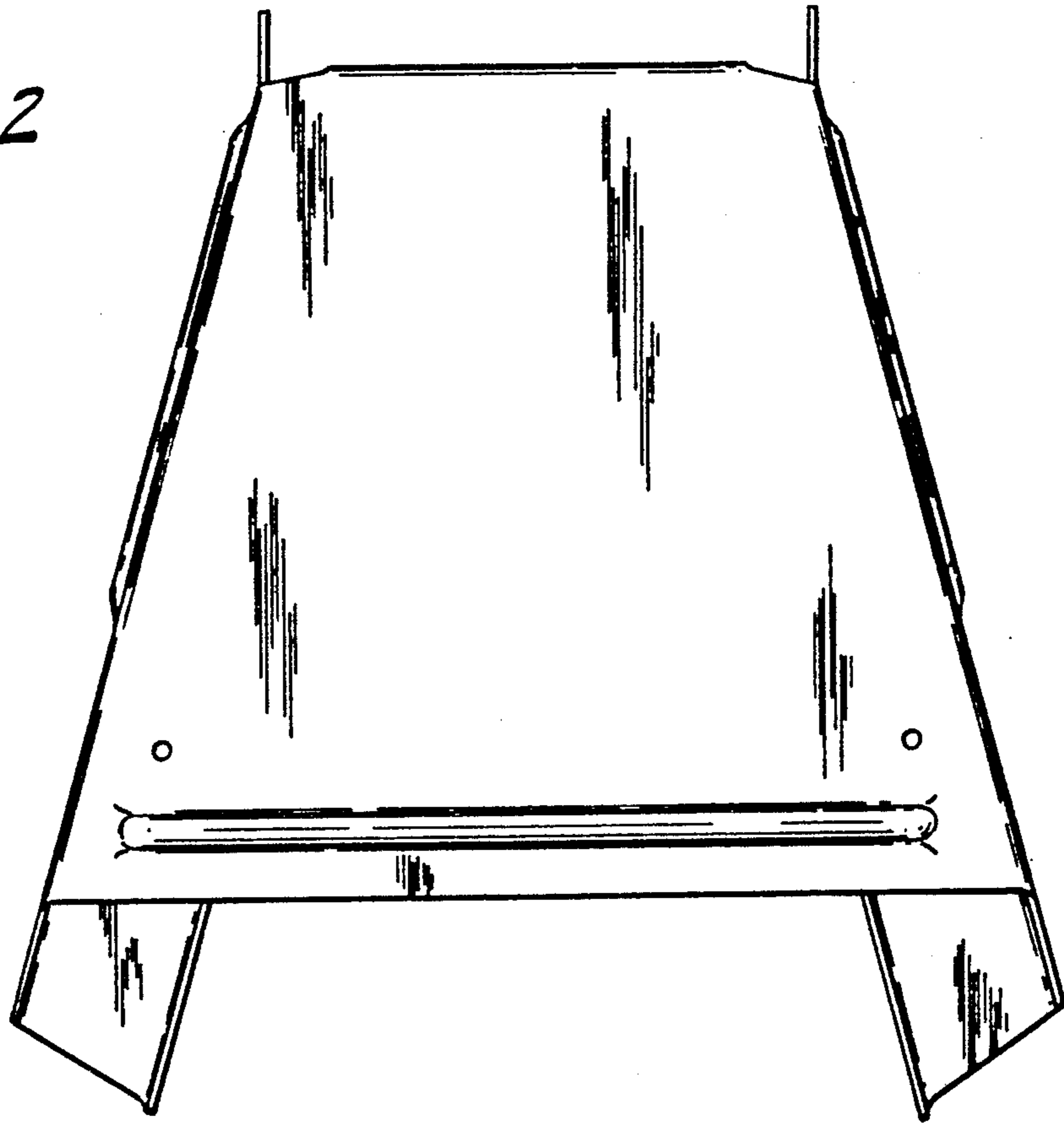


FIG. 3

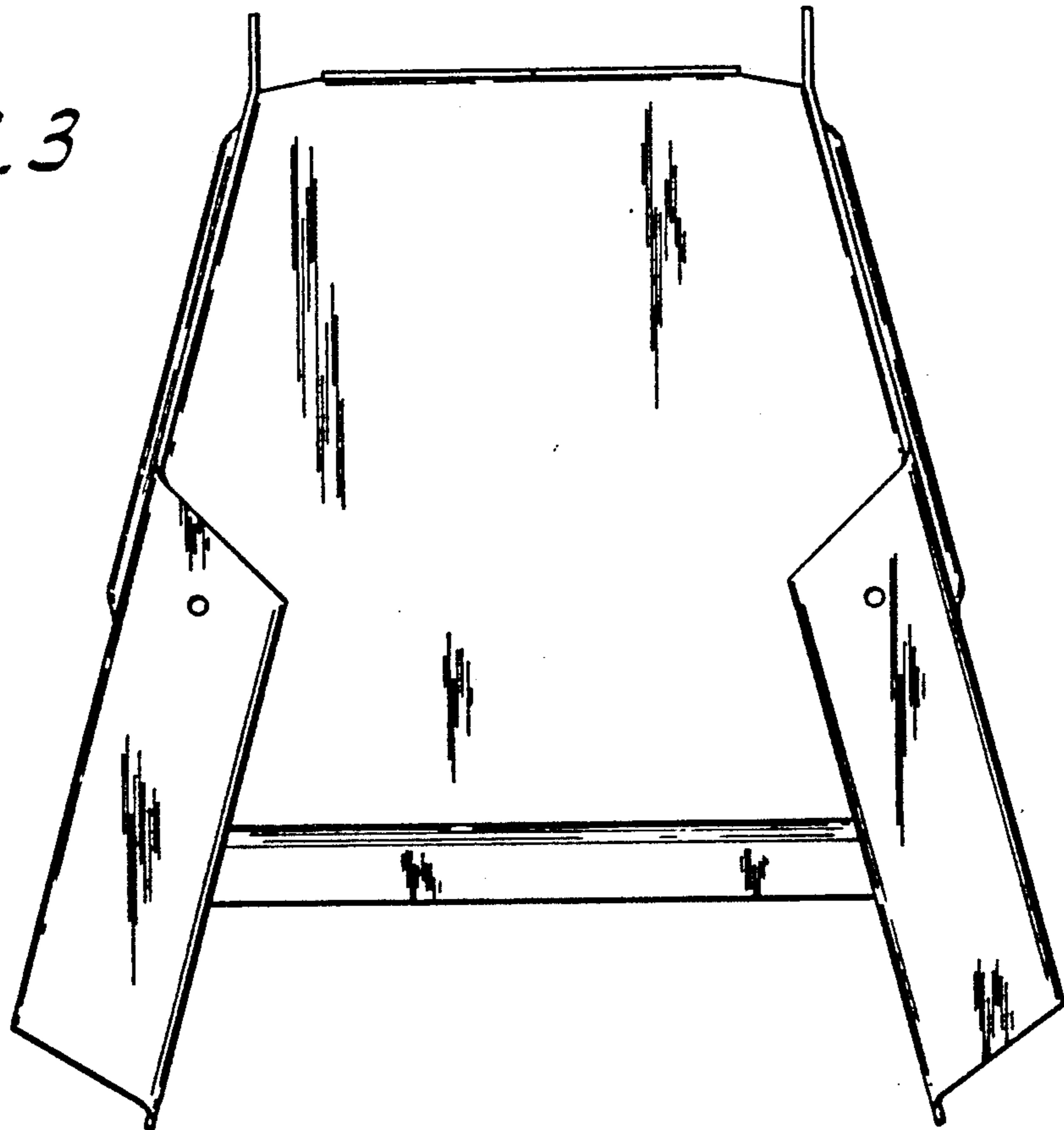


FIG. 4

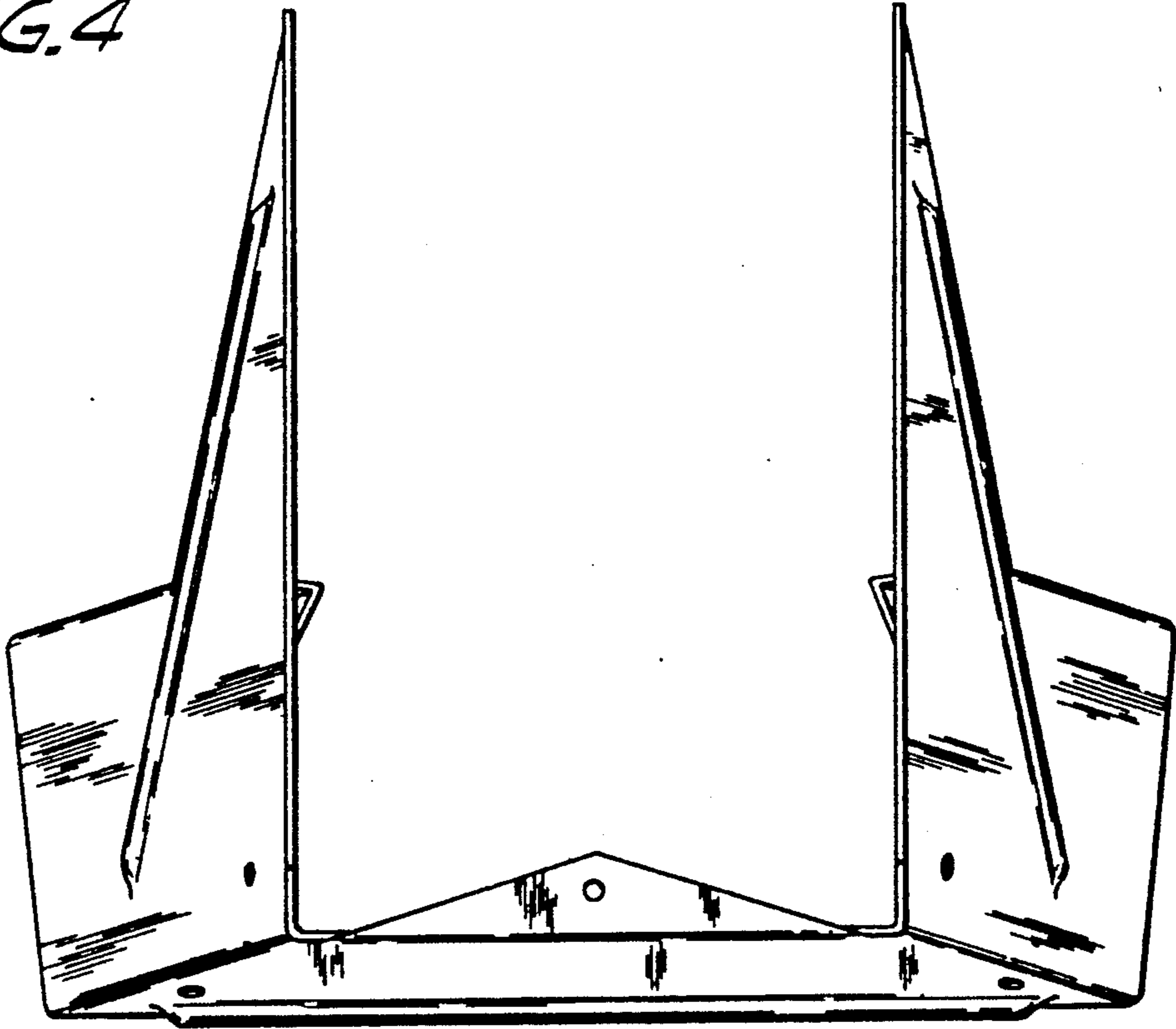


FIG. 5

